

US00D667106S

(12) **United States Design Patent**
Puhasmagi

(10) **Patent No.:** **US D667,106 S**

(45) **Date of Patent:** **** Sep. 11, 2012**

(54) **CATHETER**

(75) **Inventor:** **Arne Puhasmagi**, Boras (SE)

(73) **Assignee:** **Nordic Med-Com AB**, Boras (SE)

(**) **Term:** **14 Years**

(21) **Appl. No.:** **29/397,805**

(22) **Filed:** **Jul. 21, 2011**

(30) **Foreign Application Priority Data**

Jan. 25, 2011 (EP) CDR001810672-0001

(51) **LOC (9) Cl.** **24-02**

(52) **U.S. Cl.** **D24/112**

(58) **Field of Classification Search** D24/112-114,
D24/133, 186, 130, 127; 606/181, 185;
604/164.01-164.09, 533, 232, 187, 168.01,
604/192, 19, 48, 93.01, 264, 523, 524, 526;
600/101, 139, 143; 128/200.24, 207.14,
128/207.15

See application file for complete search history.

(56) **References Cited**

U.S. PATENT DOCUMENTS

4,326,519 A * 4/1982 D'Alo et al. D24/112
D318,734 S * 7/1991 Wyzgala D24/112

D380,543 S * 7/1997 Piontek et al. D24/112
D384,741 S * 10/1997 Musgrave et al. D24/112
6,488,693 B2 * 12/2002 Gannoe et al. 606/185
D592,302 S * 5/2009 Stokes et al. D24/112
7,527,590 B2 * 5/2009 Suzuki et al. 600/101
7,635,352 B2 * 12/2009 Adams 604/164.08
D613,854 S * 4/2010 Young et al. D24/112
D622,379 S * 8/2010 Singh D24/130
7,806,869 B2 * 10/2010 Nilsson et al. 604/164.01
D638,930 S * 5/2011 Moehle et al. D24/112
8,057,442 B2 * 11/2011 Dikeman et al. 604/19

* cited by examiner

Primary Examiner — David Muller

(74) *Attorney, Agent, or Firm* — Jeffrey S. Melcher; Manelli Selter PLLC

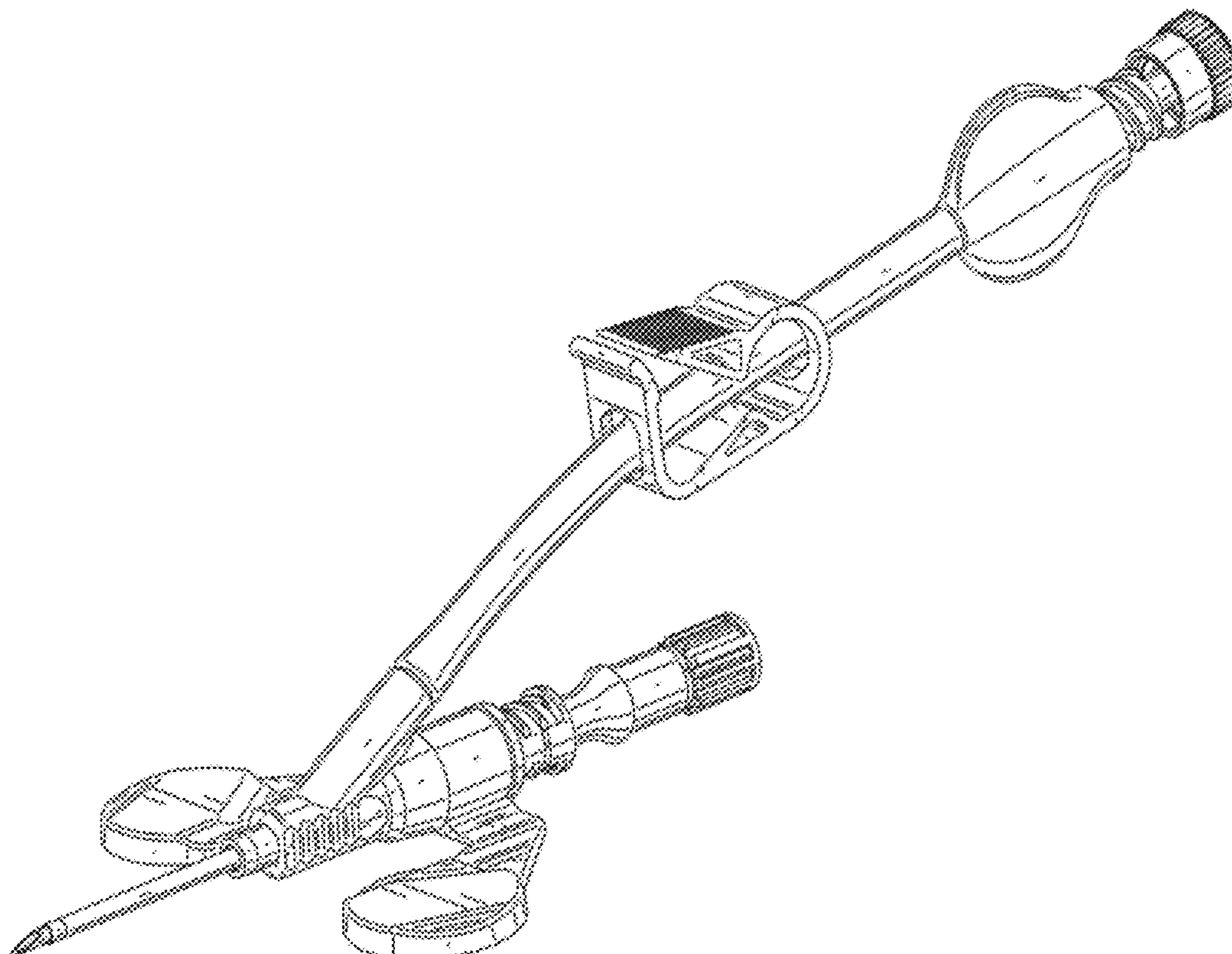
(57) **CLAIM**

I claim the ornamental design for a catheter, as shown and described.

DESCRIPTION

FIG. 1 is a perspective view of the catheter;
FIG. 2 is a front view of the catheter;
FIG. 3 is a back view of the catheter;
FIG. 4 is a right side view of the catheter;
FIG. 5 is a left side view of the catheter;
FIG. 6 is a bottom view of the catheter; and,
FIG. 7 is a top view of the catheter.

1 Claim, 6 Drawing Sheets



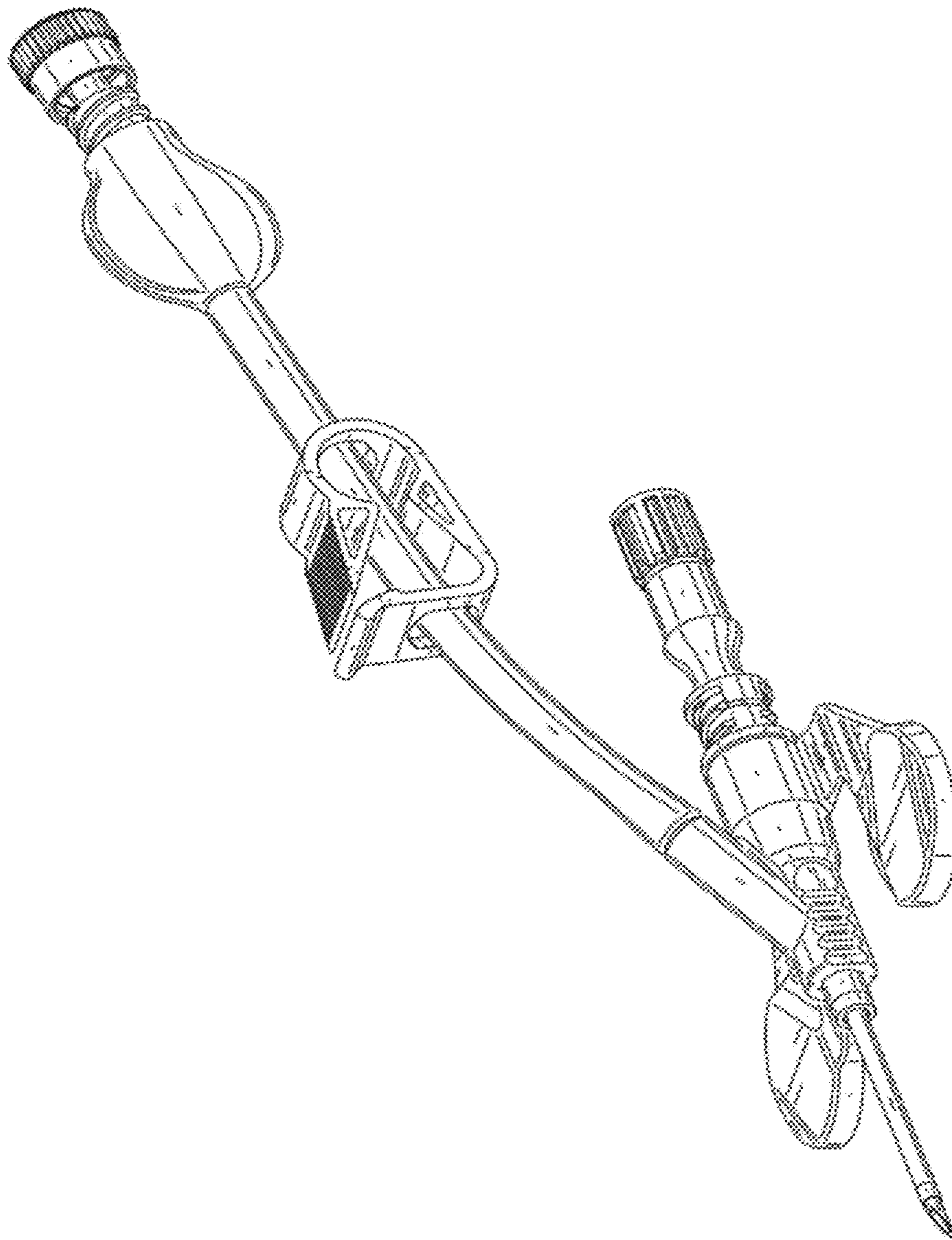


FIG. 1

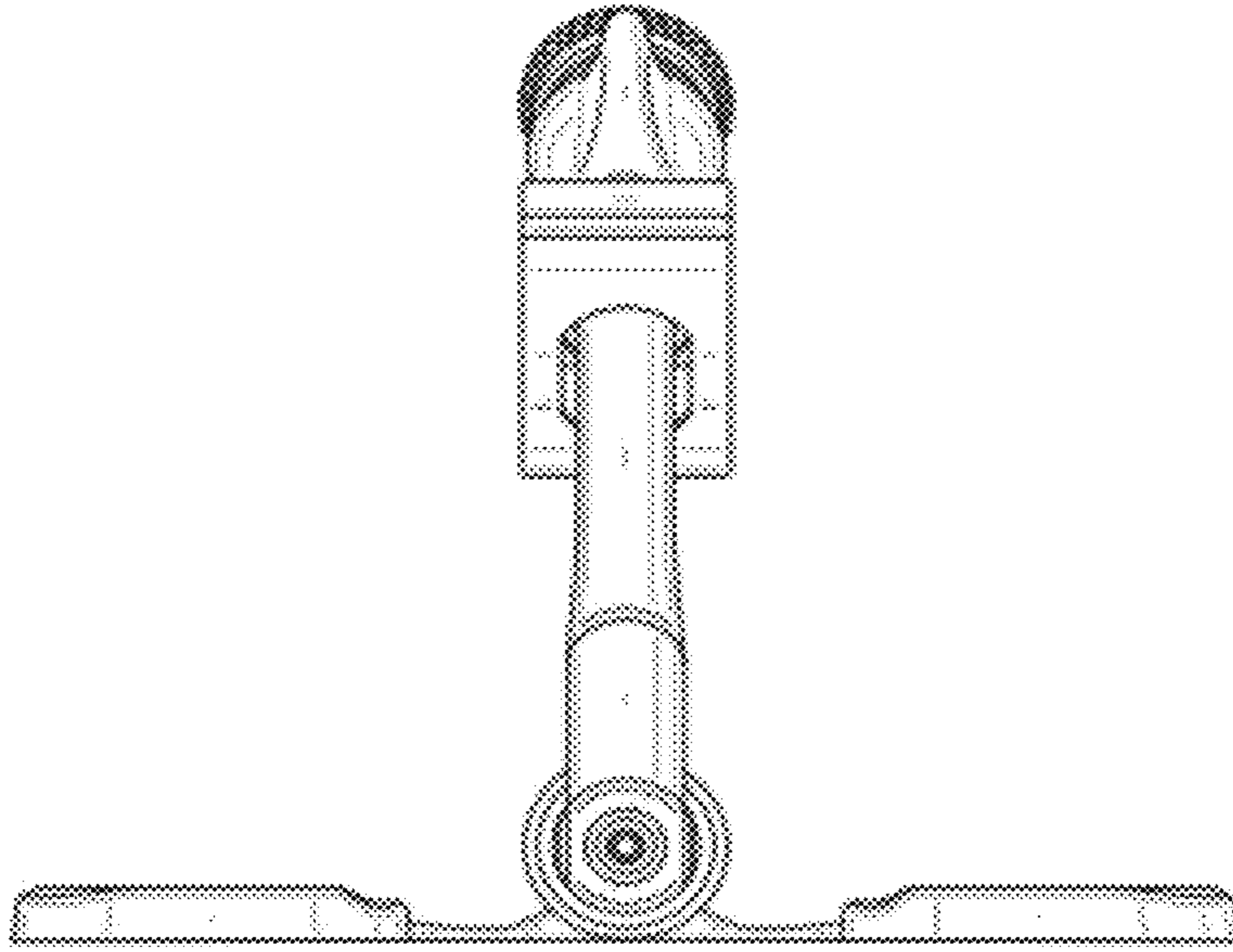


FIG. 2

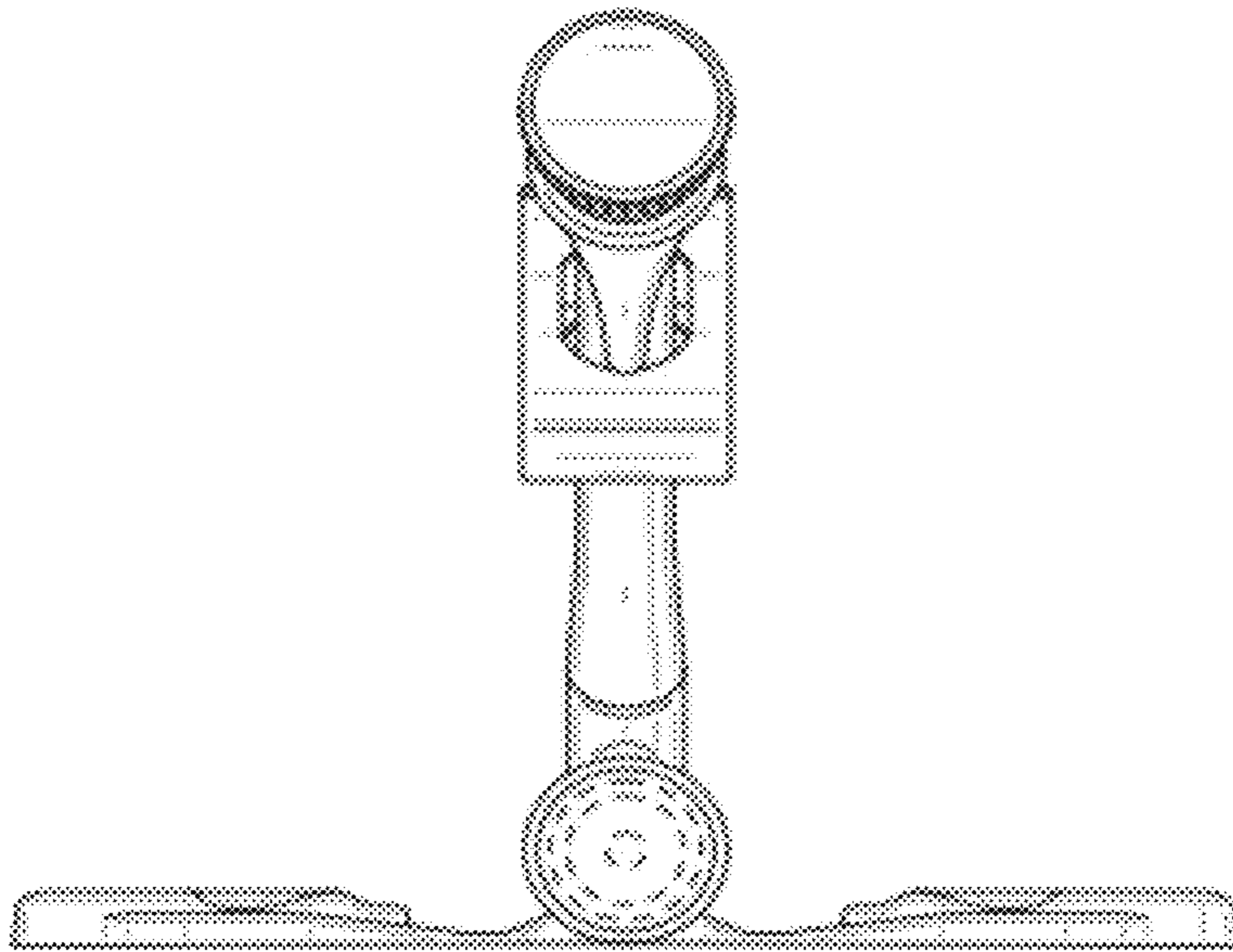


FIG. 3

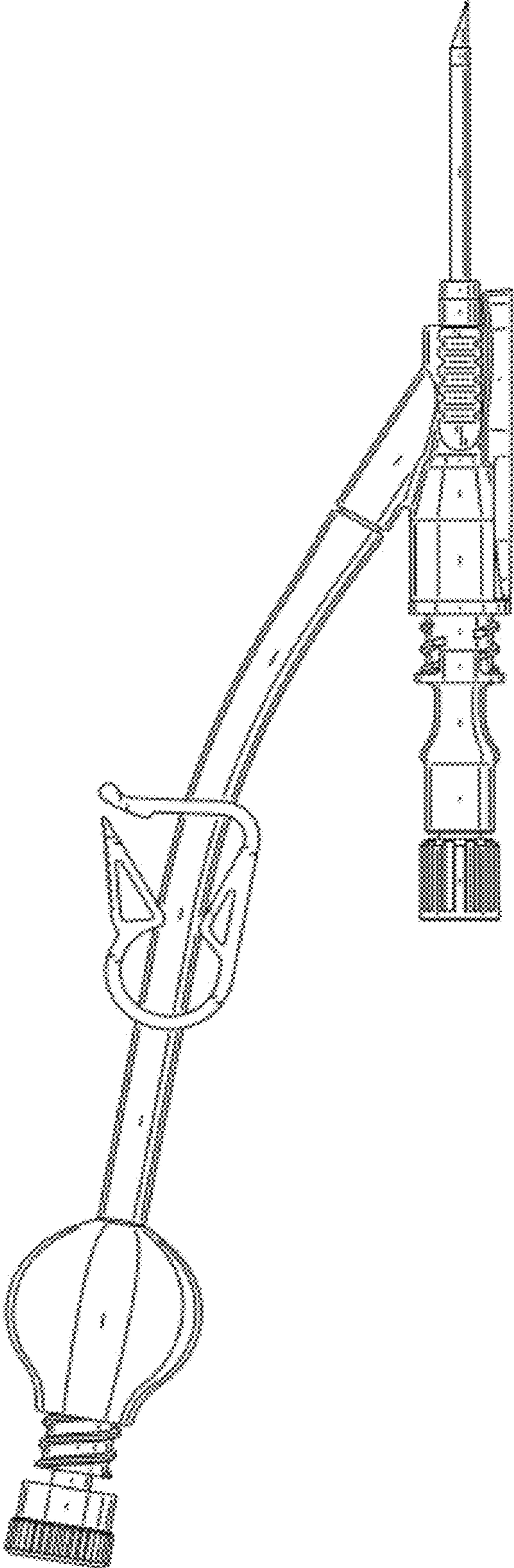


FIG. 4

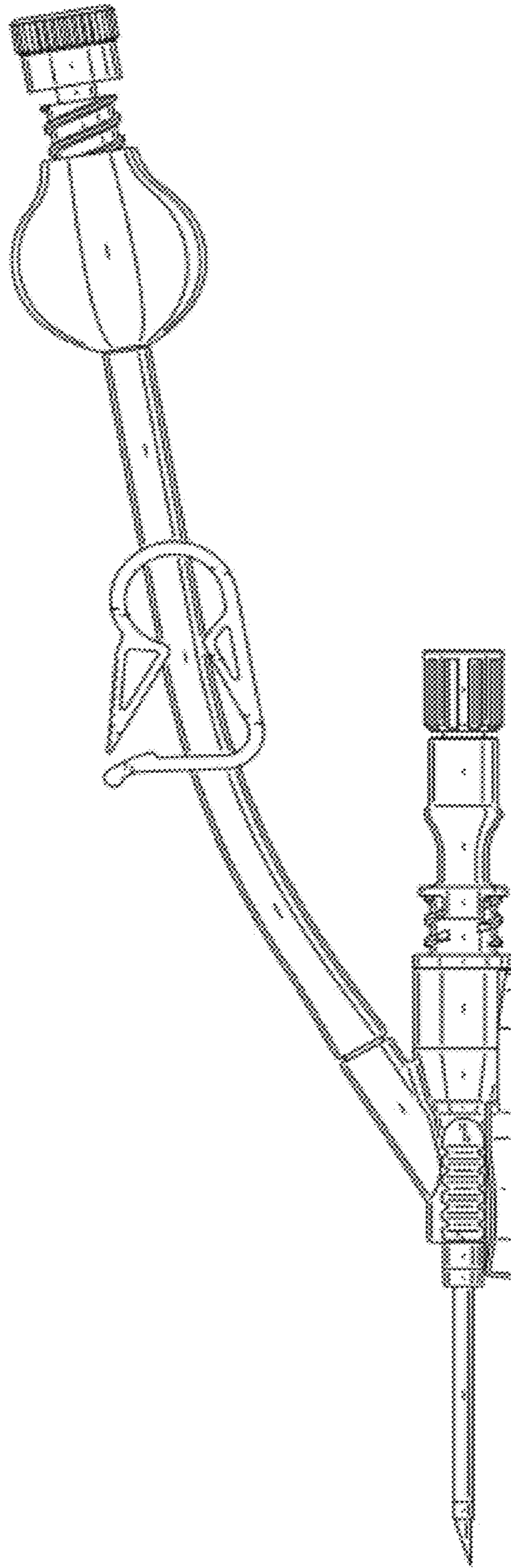


FIG. 5

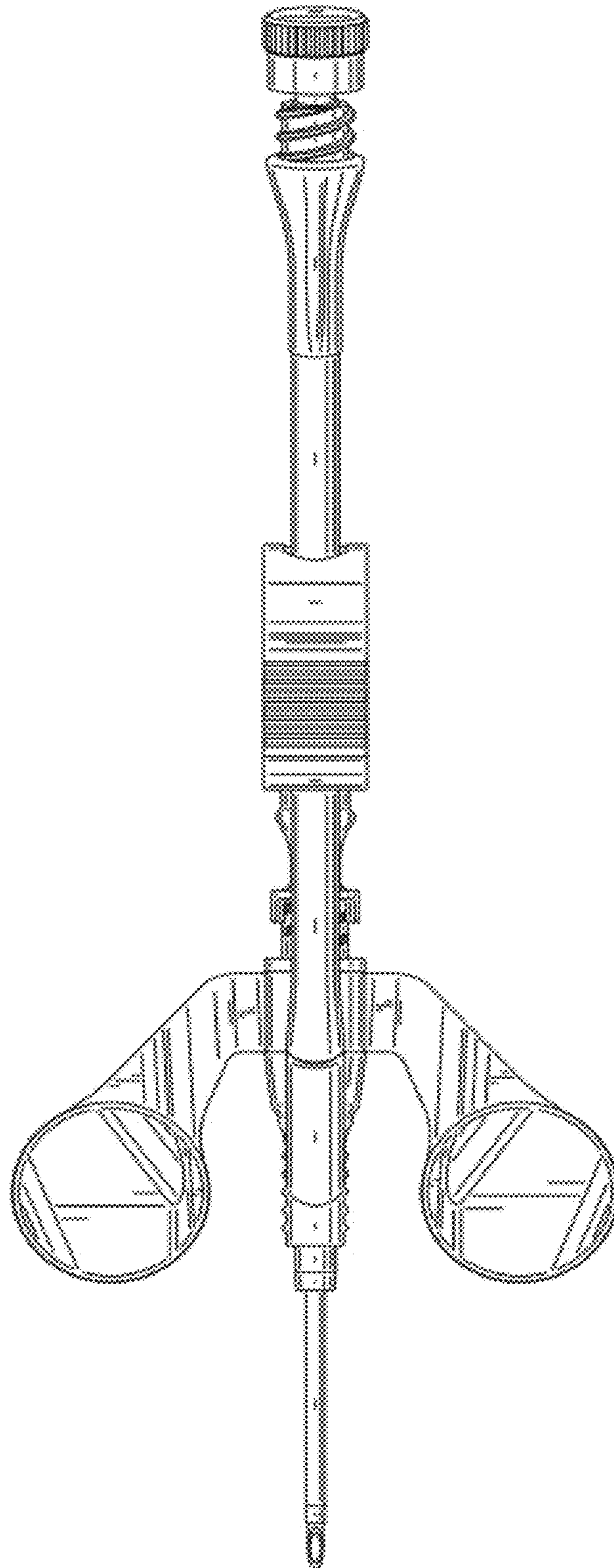


FIG. 6

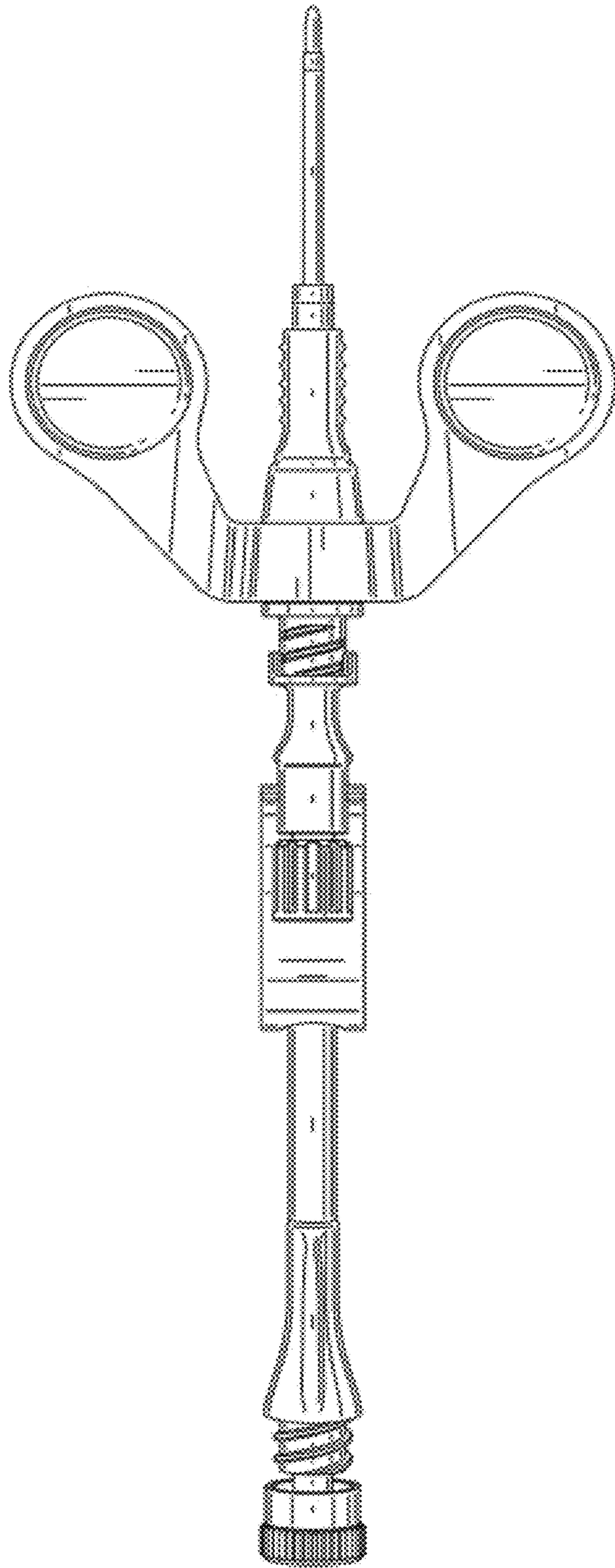


FIG. 7