



US00D667101S

(12) **United States Design Patent**
Browder

(10) **Patent No.:** **US D667,101 S**

(45) **Date of Patent:** **** Sep. 11, 2012**

(54) **FRAGRANCE DISK**

(75) Inventor: **John Browder**, Argyle, TX (US)

(73) Assignee: **IDC Enchanted Lighting Company, LLC**, Roanoke, TX (US)

(**) Term: **14 Years**

(21) Appl. No.: **29/411,705**

(22) Filed: **Jan. 25, 2012**

D451,990	S	*	12/2001	Millet	D23/366
6,450,419	B1	*	9/2002	Martens et al.	239/102.1
6,728,478	B2	*	4/2004	Cox et al.	392/390
6,775,470	B2	*	8/2004	Zobebe et al.	392/390
D520,129	S	*	5/2006	Sevy	D23/367
D565,164	S	*	3/2008	Duston et al.	D23/366
7,398,013	B2	*	7/2008	He et al.	392/394
D589,471	S	*	3/2009	Komatsu	D13/182
D610,666	S	*	2/2010	Furner et al.	D23/366
D649,237	S	*	11/2011	Bilko et al.	D23/366
D653,744	S	*	2/2012	Li	D23/366
2007/0237498	A1	*	10/2007	Helf et al.	392/386
2009/0134239	A1	*	5/2009	Neumann	239/57

* cited by examiner

Related U.S. Application Data

(63) Continuation-in-part of application No. 29/405,474, filed on Nov. 2, 2011, now Pat. No. Des. 656,599.

(51) **LOC (9) Cl.** **28-99**

(52) **U.S. Cl.** **D23/366**

(58) **Field of Classification Search** D23/355-369;
D28/5, 6; 261/DIG. 17, DIG. 42, DIG. 65,
261/DIG. 88, DIG. 89; 392/386, 390, 394,
392/395; 239/34, 44, 53, 55, 56, 326

See application file for complete search history.

(56) **References Cited**

U.S. PATENT DOCUMENTS

4,161,284	A	*	7/1979	Rattan	239/43
4,849,606	A	*	7/1989	Martens et al.	392/390
6,037,574	A	*	3/2000	Lanham et al.	219/544
6,123,935	A	*	9/2000	Wefler et al.	424/76.1
6,141,496	A	*	10/2000	Sundberg et al.	392/390
6,289,176	B1	*	9/2001	Martter et al.	392/392

Primary Examiner — Sandra Snapp

(74) *Attorney, Agent, or Firm* — Brian Harris

(57) **CLAIM**

The ornamental design for a fragrance disk, as shown and described.

DESCRIPTION

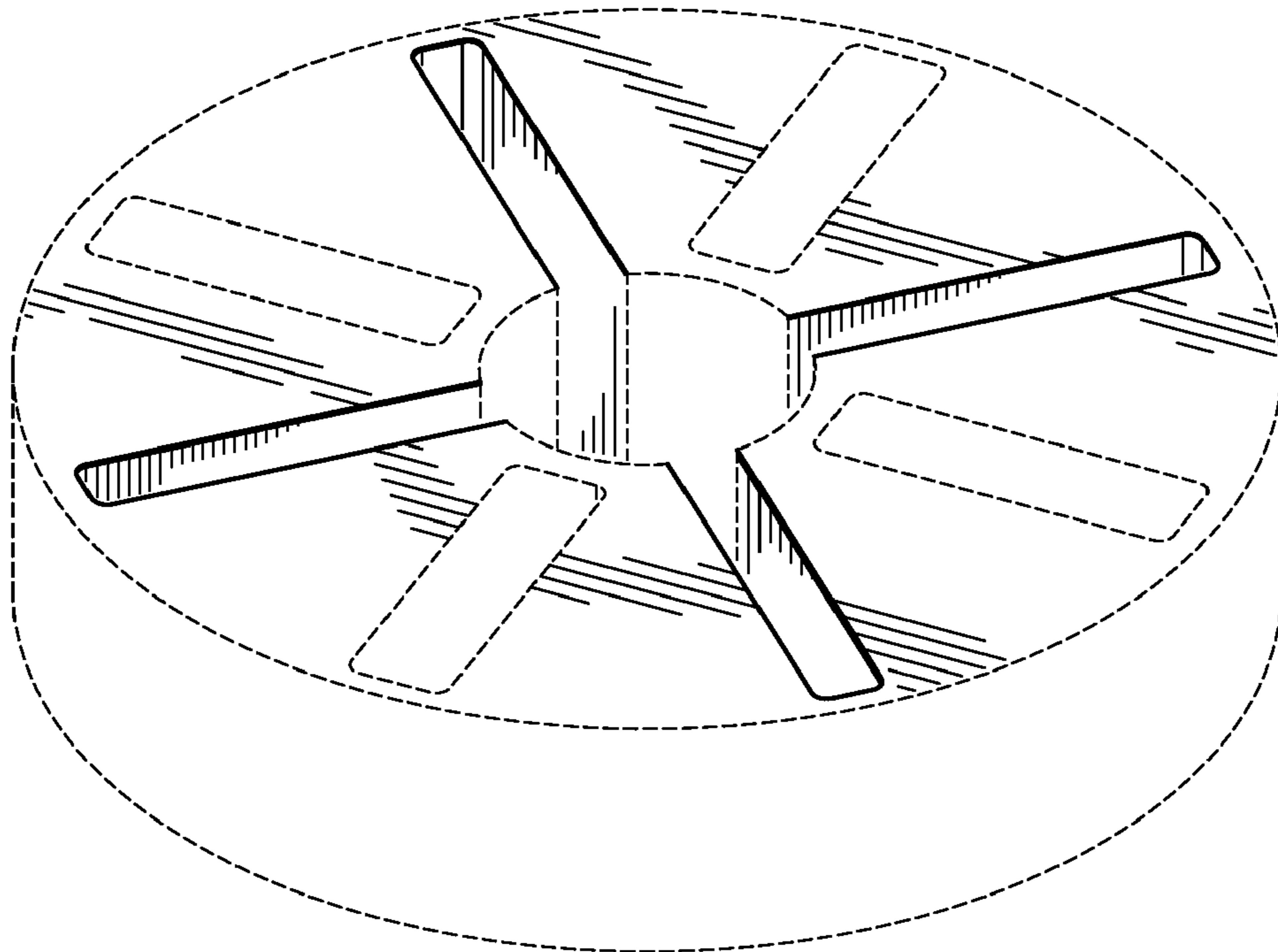
FIG. 1 is a perspective view of a fragrance disk showing my new design;

FIG. 2 is a front view thereof, the back side, left side, and right side views being identical thereto; and,

FIG. 3 is a top plan view thereof, the bottom plan view being identical thereto.

The broken lines represent unclaimed boundaries of the design.

1 Claim, 2 Drawing Sheets



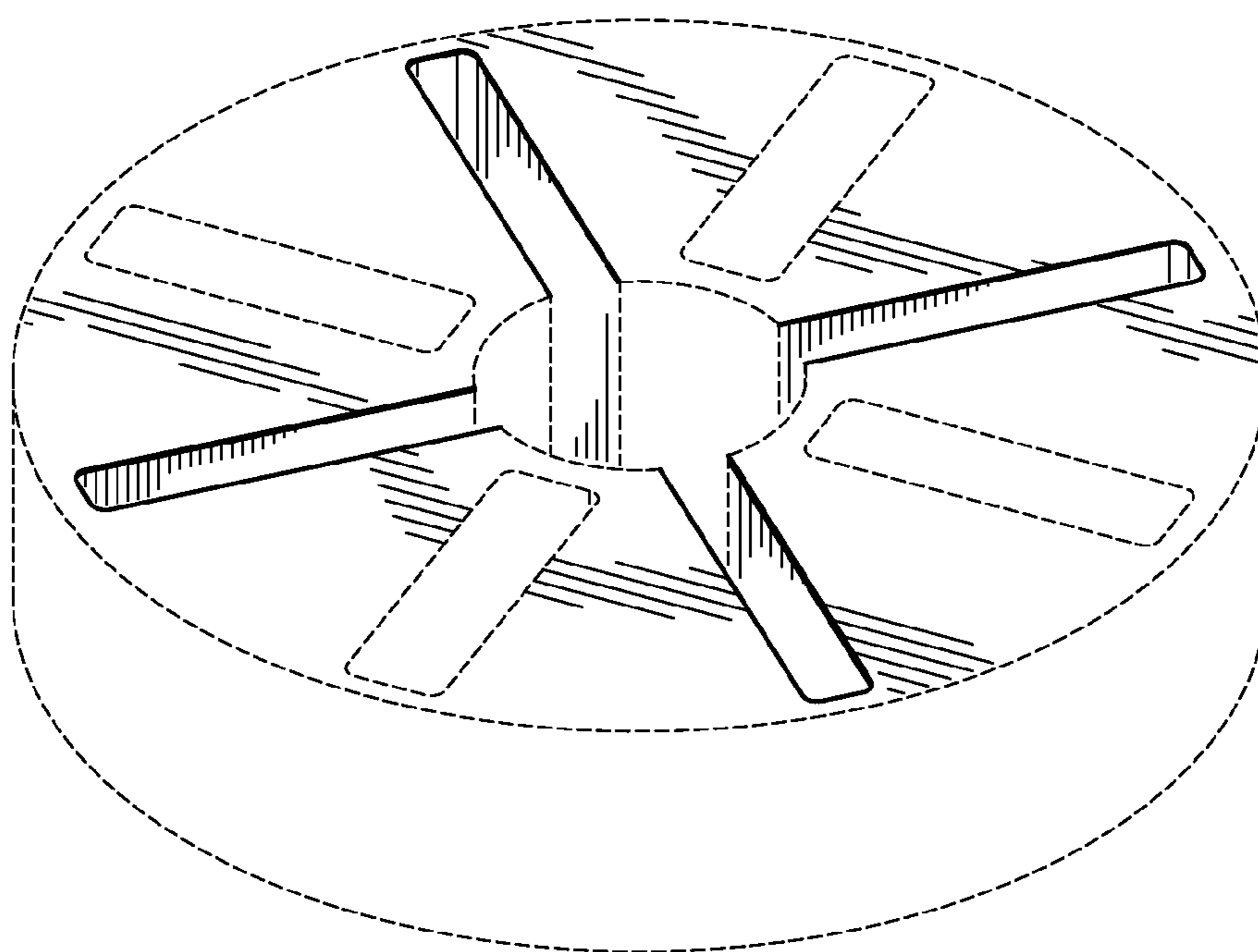


FIG. 1



FIG. 2

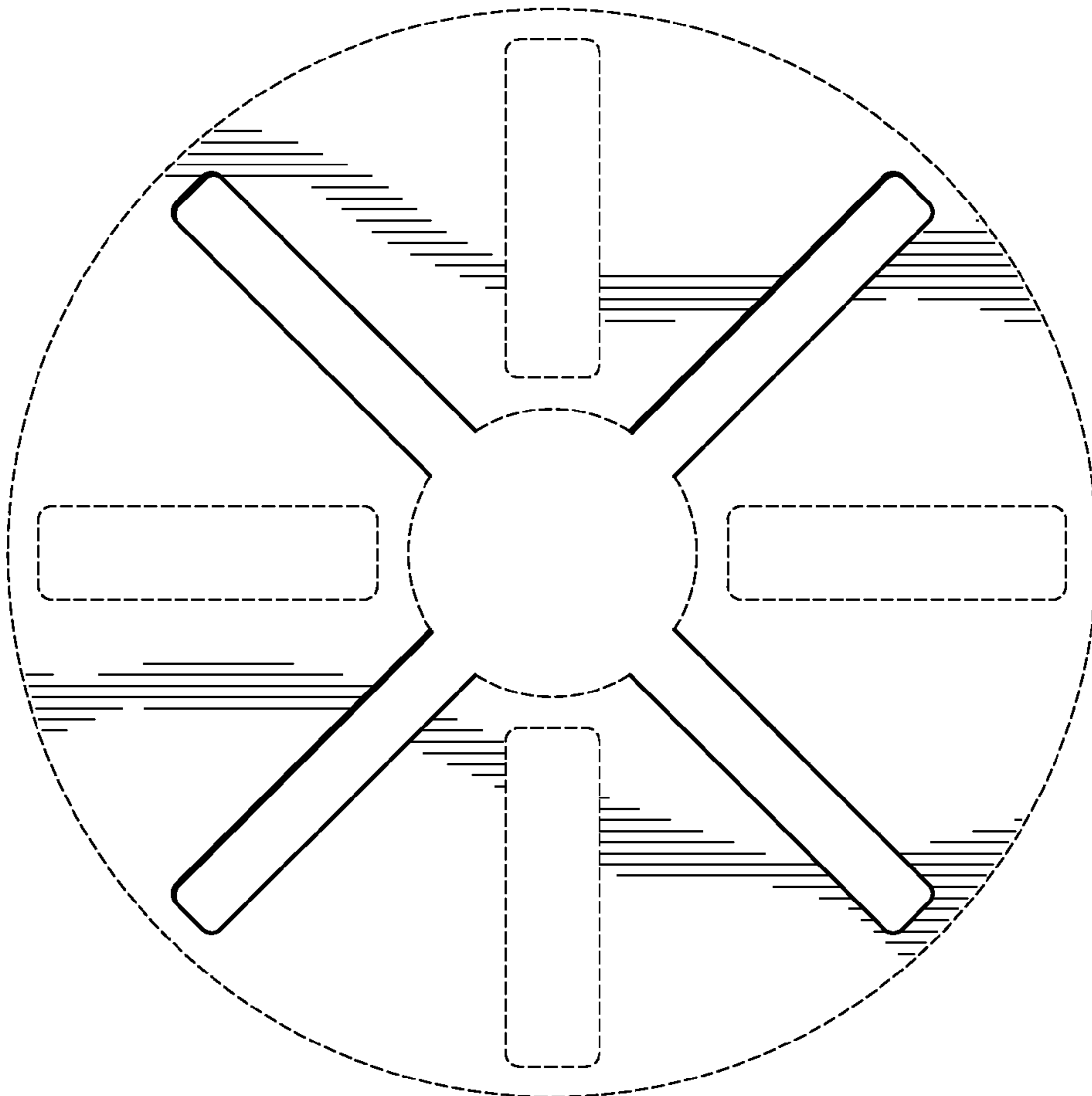


FIG. 3