

US00D667100S

(12) **United States Design Patent**  
**Hakim**

(10) **Patent No.:** **US D667,100 S**

(45) **Date of Patent:** **\*\* \*Sep. 11, 2012**

(54) **AIR FRESHENER**

(75) Inventor: **Abraham J. Hakim**, Aventura, FL (US)

(73) Assignee: **Zeeray LLC**, Eatontown, NJ (US)

(\* ) Notice: This patent is subject to a terminal disclaimer.

(\*\* ) Term: **14 Years**

(21) Appl. No.: **29/392,520**

(22) Filed: **May 23, 2011**

(51) **LOC (9) Cl.** ..... **28-99**

(52) **U.S. Cl.** ..... **D23/366**

(58) **Field of Classification Search** ..... D23/355-369;  
D28/5, 6; 261/DIG. 17, DIG. 42, DIG. 47,  
261/DIG. 55, DIG. 65, DIG. 70, DIG. 88,  
261/DIG. 89; 392/386, 390, 392, 394, 395;  
239/34, 44, 53, 56, 60, 308, 326  
See application file for complete search history.

(56) **References Cited**

U.S. PATENT DOCUMENTS

D437,041 S \* 1/2001 Eisenbraun ..... D23/366  
D594,954 S \* 6/2009 Wheatley ..... D23/366  
D604,825 S \* 11/2009 Brandenburg ..... D23/366

D619,692 S \* 7/2010 Hami et al. .... D23/366  
D619,693 S \* 7/2010 Hami et al. .... D23/366  
D619,694 S \* 7/2010 Hami et al. .... D23/366  
D620,573 S \* 7/2010 Hami et al. .... D23/366  
D625,798 S \* 10/2010 Hami et al. .... D23/367  
D640,781 S \* 6/2011 Brandenburg ..... D23/366  
2011/0108632 A1 \* 5/2011 Brandenburg et al. .... 239/34

\* cited by examiner

*Primary Examiner* — Sandra Snapp

(74) *Attorney, Agent, or Firm* — Goldberg Cohen LLP

(57) **CLAIM**

The ornamental design for an air freshener, as shown and described.

**DESCRIPTION**

FIG. 1 is a perspective view of an air freshener of the present invention;

FIG. 2 is a right side view thereof;

FIG. 3 is a left side view thereof;

FIG. 4 is a back view thereof;

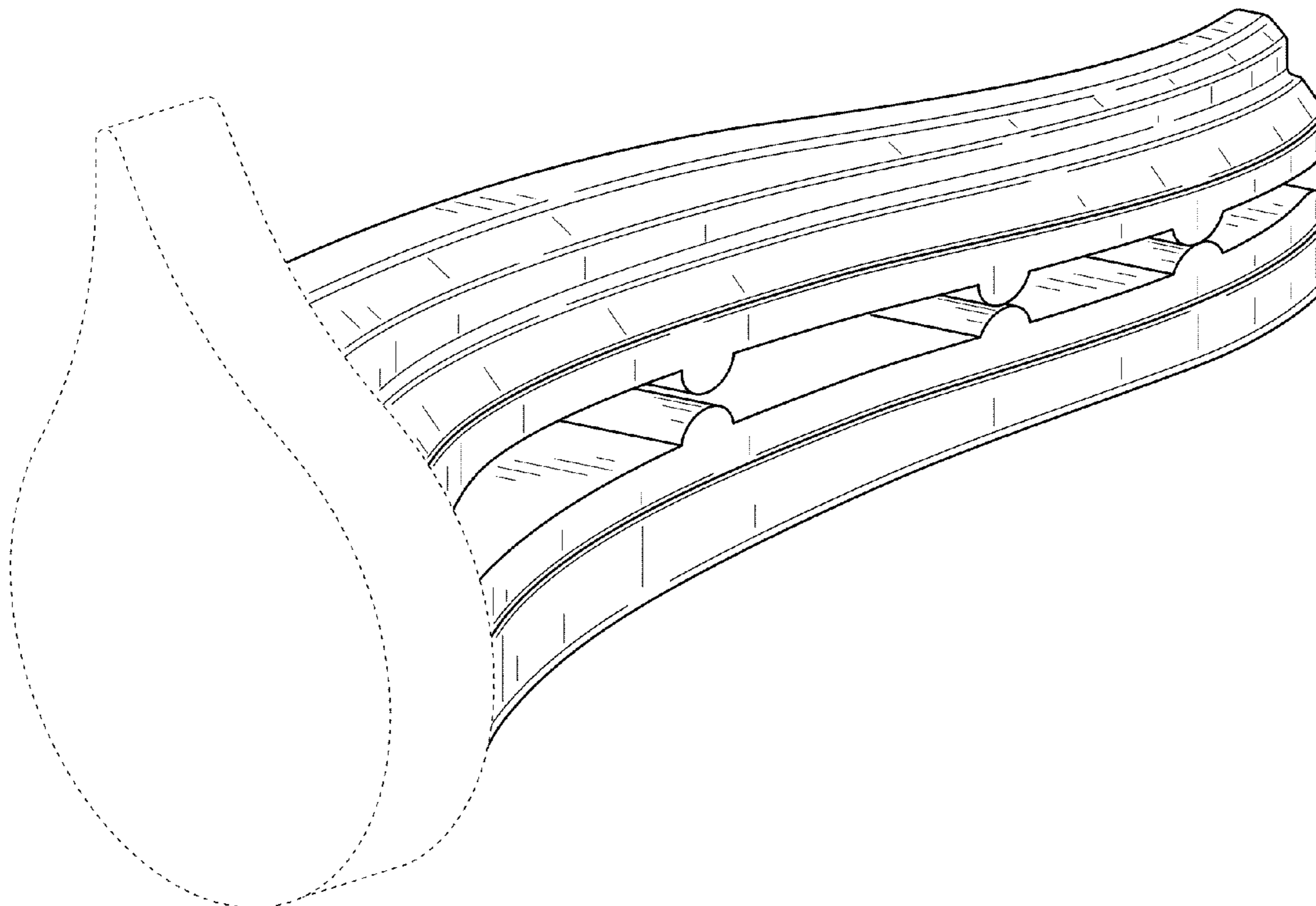
FIG. 5 is a front view thereof;

FIG. 6 is a top view thereof; and,

FIG. 7 is a bottom view thereof.

The broken line showing of the air freshener is for illustrative purposes only and forms no part of the claimed design.

**1 Claim, 5 Drawing Sheets**



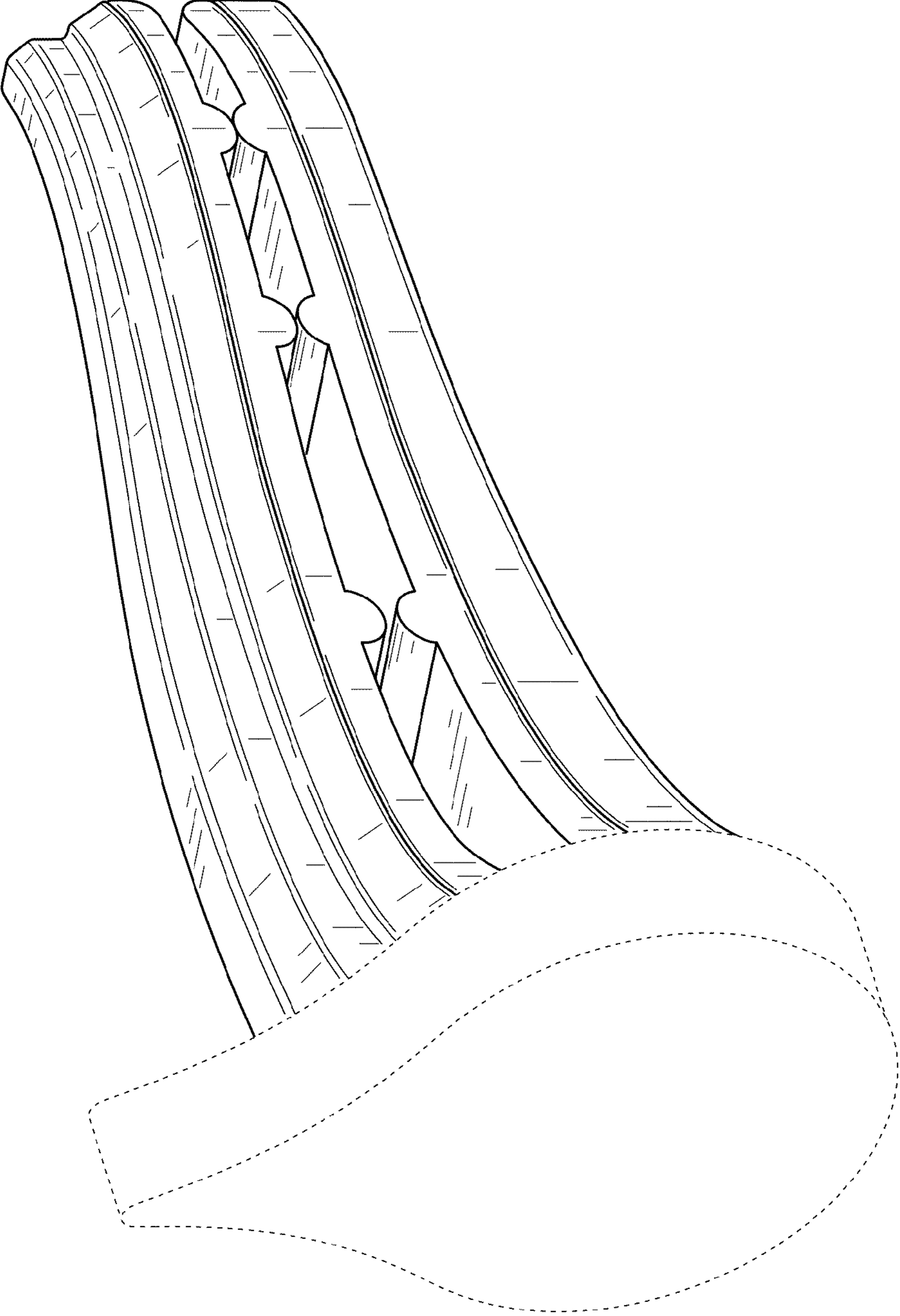


FIG. 1

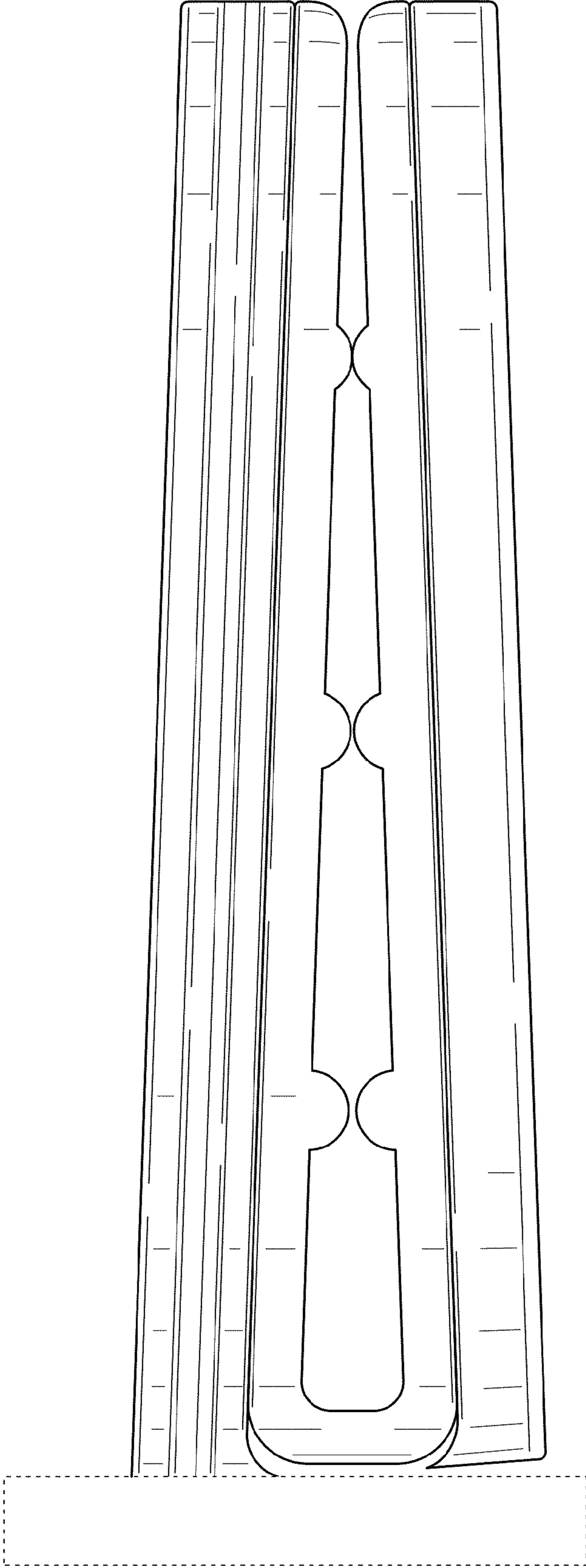


FIG. 2

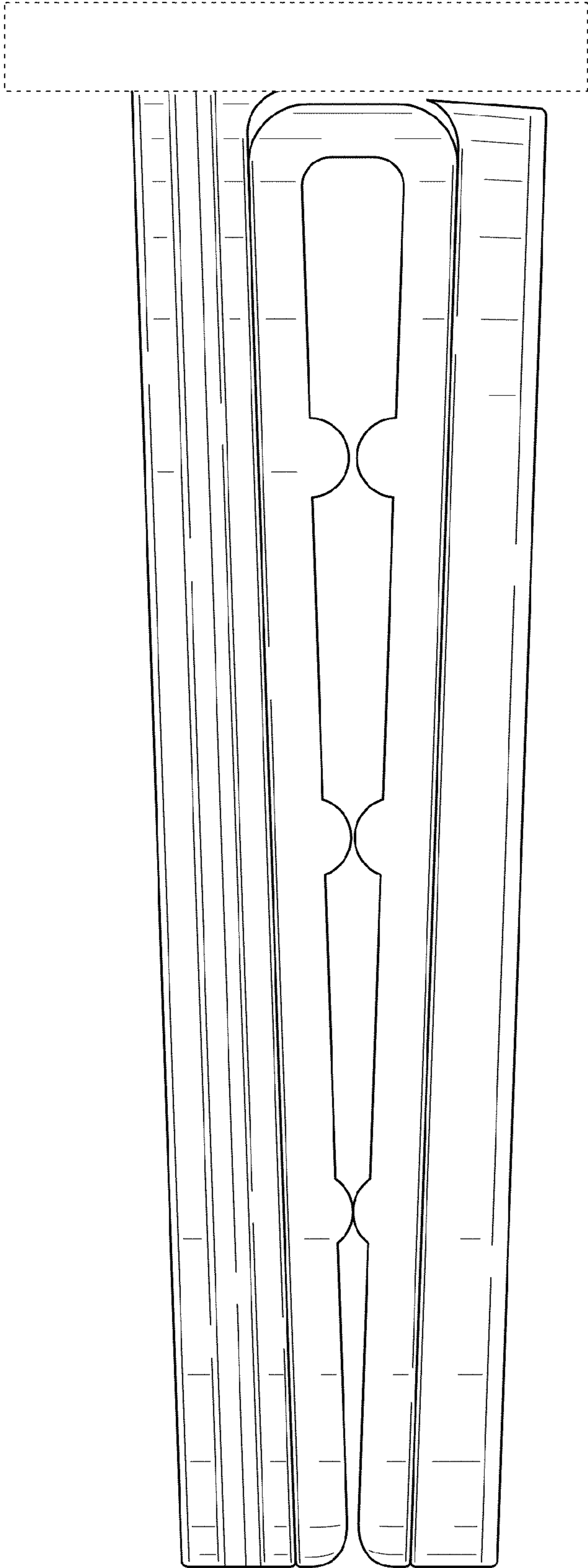


FIG. 3

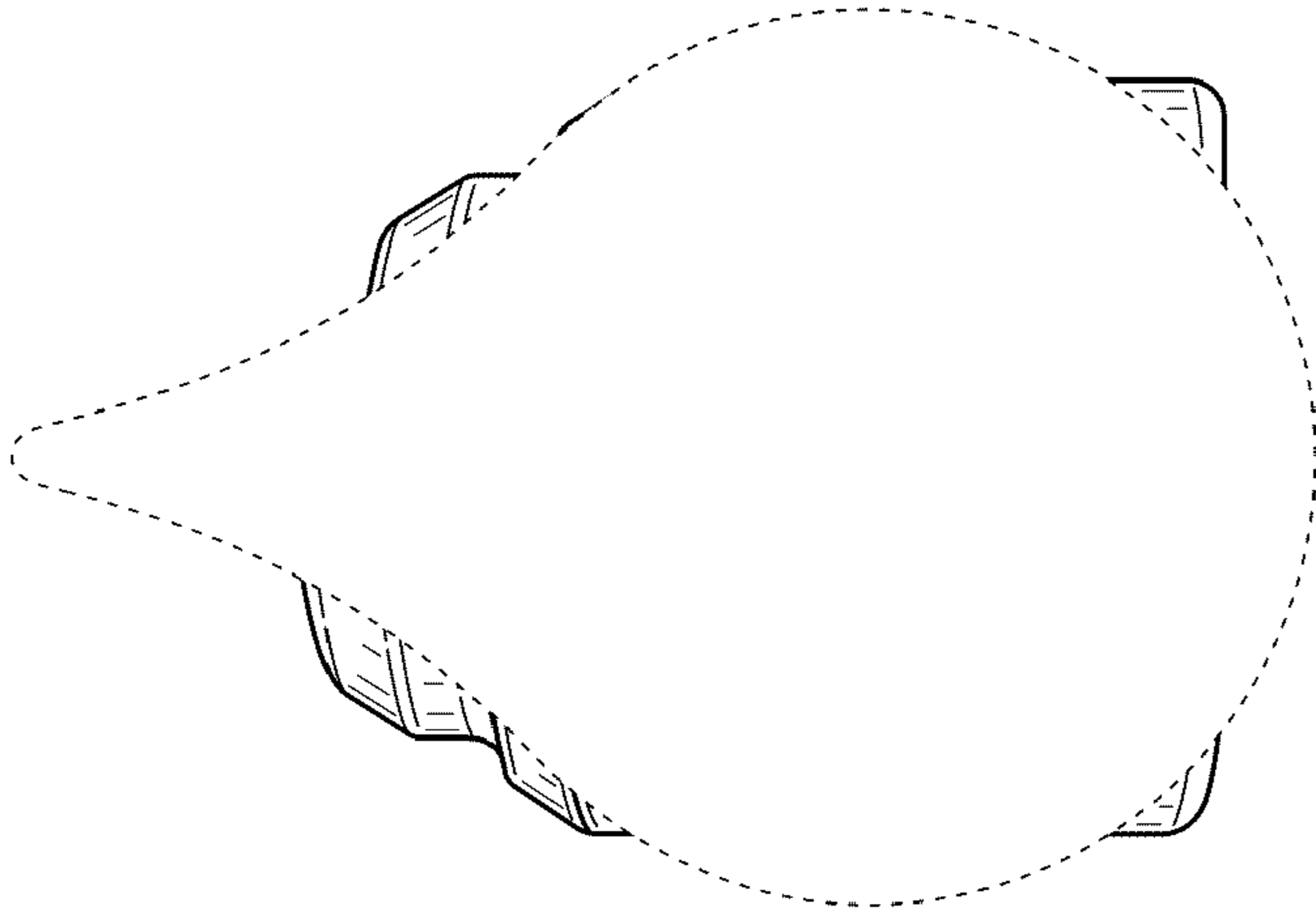


FIG. 5

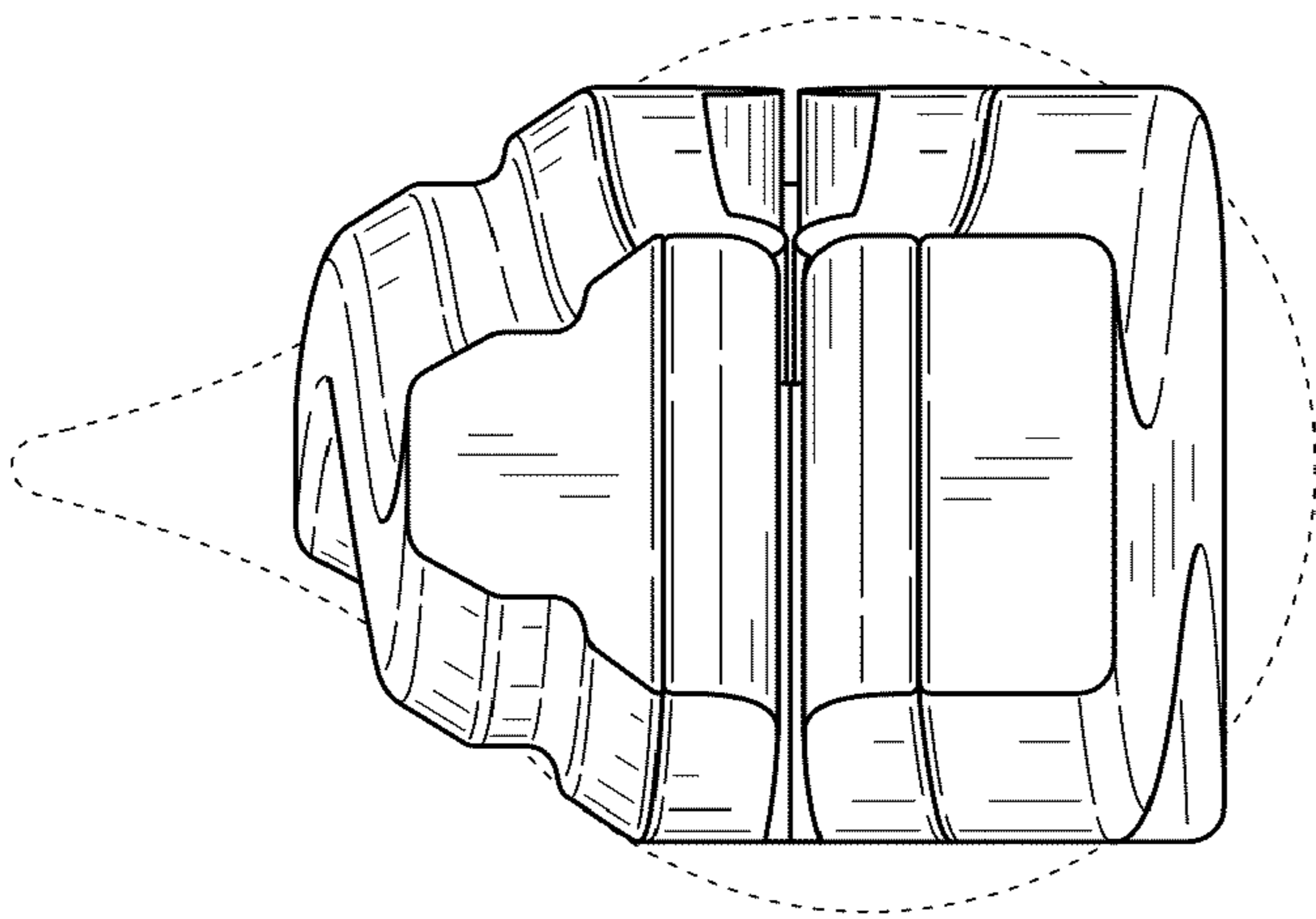


FIG. 4

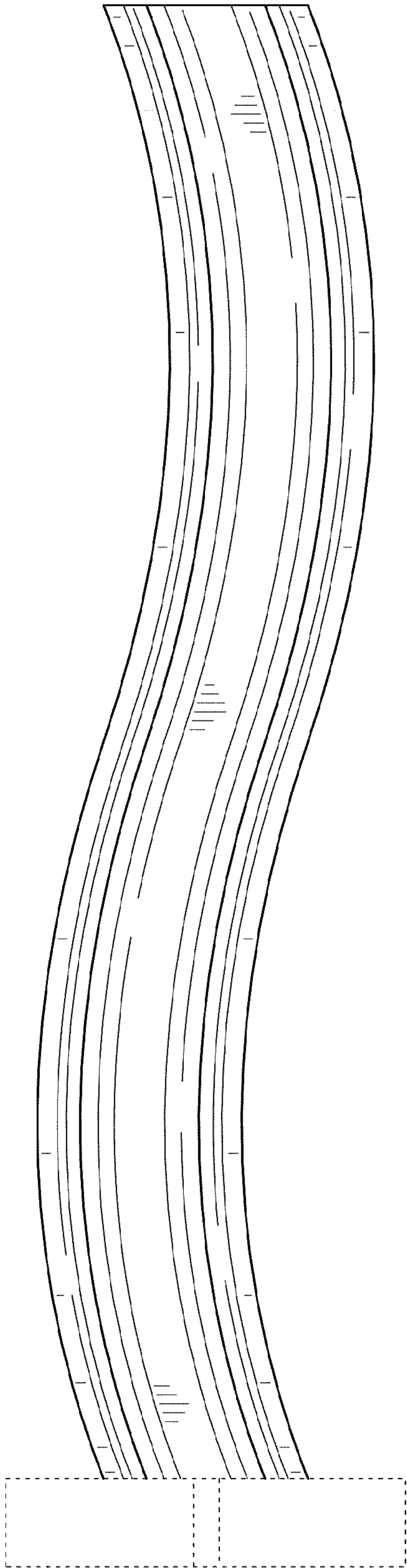


FIG. 6

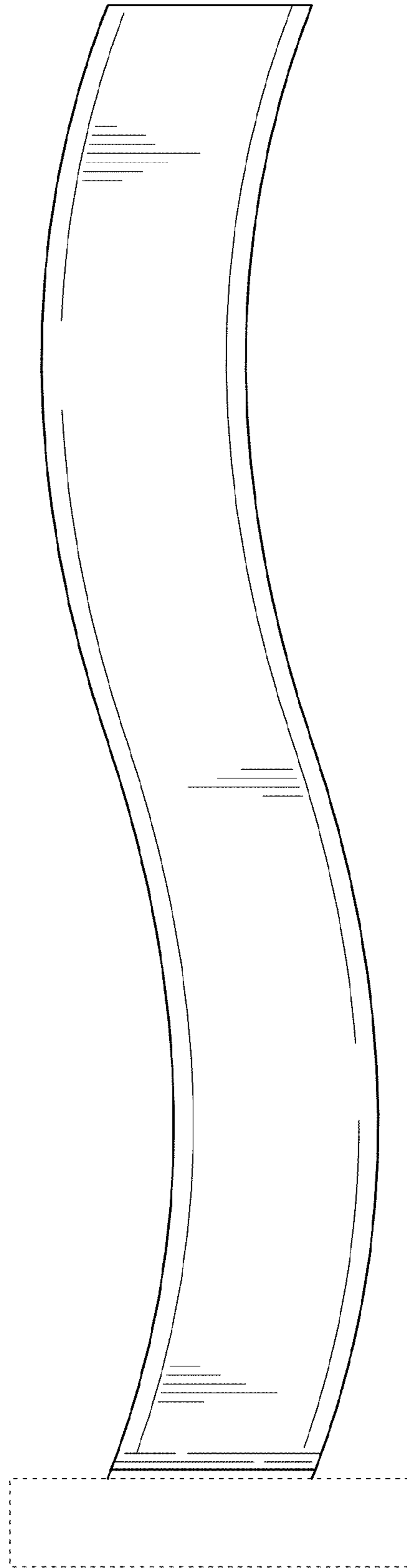


FIG. 7