

US00D667099S

(12) **United States Design Patent**
Williams et al.

(10) **Patent No.:** **US D667,099 S**
(45) **Date of Patent:** **** Sep. 11, 2012**

(54) **AIR FILTER**

(75) Inventors: **Steve Williams**, Beaumont, CA (US);
Jere James Wall, Helendale, CA (US)

(73) Assignee: **K&N Engineering, Inc.**, Riverside, CA
(US)

(**) Term: **14 Years**

(21) Appl. No.: **29/411,989**

(22) Filed: **Jan. 27, 2012**

(51) **LOC (9) Cl.** **23-04**

(52) **U.S. Cl.** **D23/365**

(58) **Field of Classification Search** D23/365,
D23/209, 363, 358, 386, 354, 341, 364, 392;
55/385.3, 502, 497, 484, 506, 505, 509, 521,
55/495, 422, 493, 501, DIG. 30, DIG. 31;
454/309, 275-277, 284, 287-291, 358-363
See application file for complete search history.

(56) **References Cited**

U.S. PATENT DOCUMENTS

2,013,038 A * 9/1935 Dollinger 55/501
2,044,221 A * 6/1936 Myers et al. 55/DIG. 31
D145,702 S * 10/1946 Sanders D23/392

2,966,959 A * 1/1961 Neumann 55/509
3,470,680 A * 10/1969 Avera 55/497
4,519,823 A * 5/1985 Kinney et al. 55/509
5,223,011 A * 6/1993 Hanni 55/497
5,512,074 A * 4/1996 Hanni et al. 55/497
D386,241 S * 11/1997 Nurse, Jr. D23/209
D402,349 S * 12/1998 Gavin D23/209
6,902,603 B2 * 6/2005 Wiser et al. 55/493
D598,088 S * 8/2009 Foerster D23/365
7,938,927 B2 * 5/2011 Sundvik et al. 55/484

* cited by examiner

Primary Examiner — David Muller

(74) *Attorney, Agent, or Firm* — Hani Z. Sayed; Rutan &
Tucker, LLP

(57) **CLAIM**

The ornamental design for air filter, as shown and described.

DESCRIPTION

FIG. 1 is a top, front, right side perspective view of an exem-
plary embodiment of the present invention;

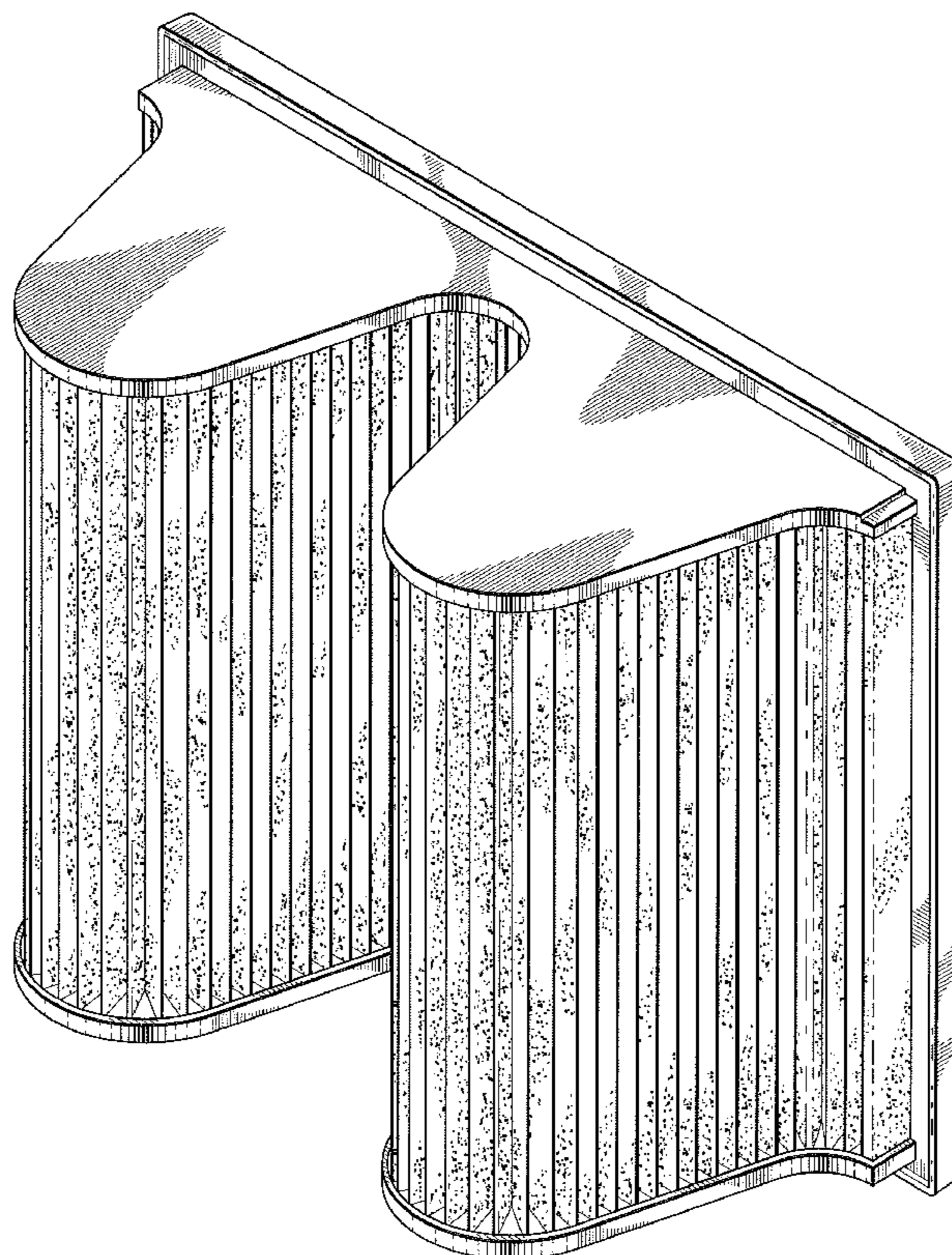
FIG. 2 is a front elevation view thereof;

FIG. 3 is a bottom plan view thereof, the top plan view being
identical;

FIG. 4 is a left side elevation view thereof, the right side
elevation view being a mirror image; and,

FIG. 5 is rear elevation view thereof.

1 Claim, 5 Drawing Sheets



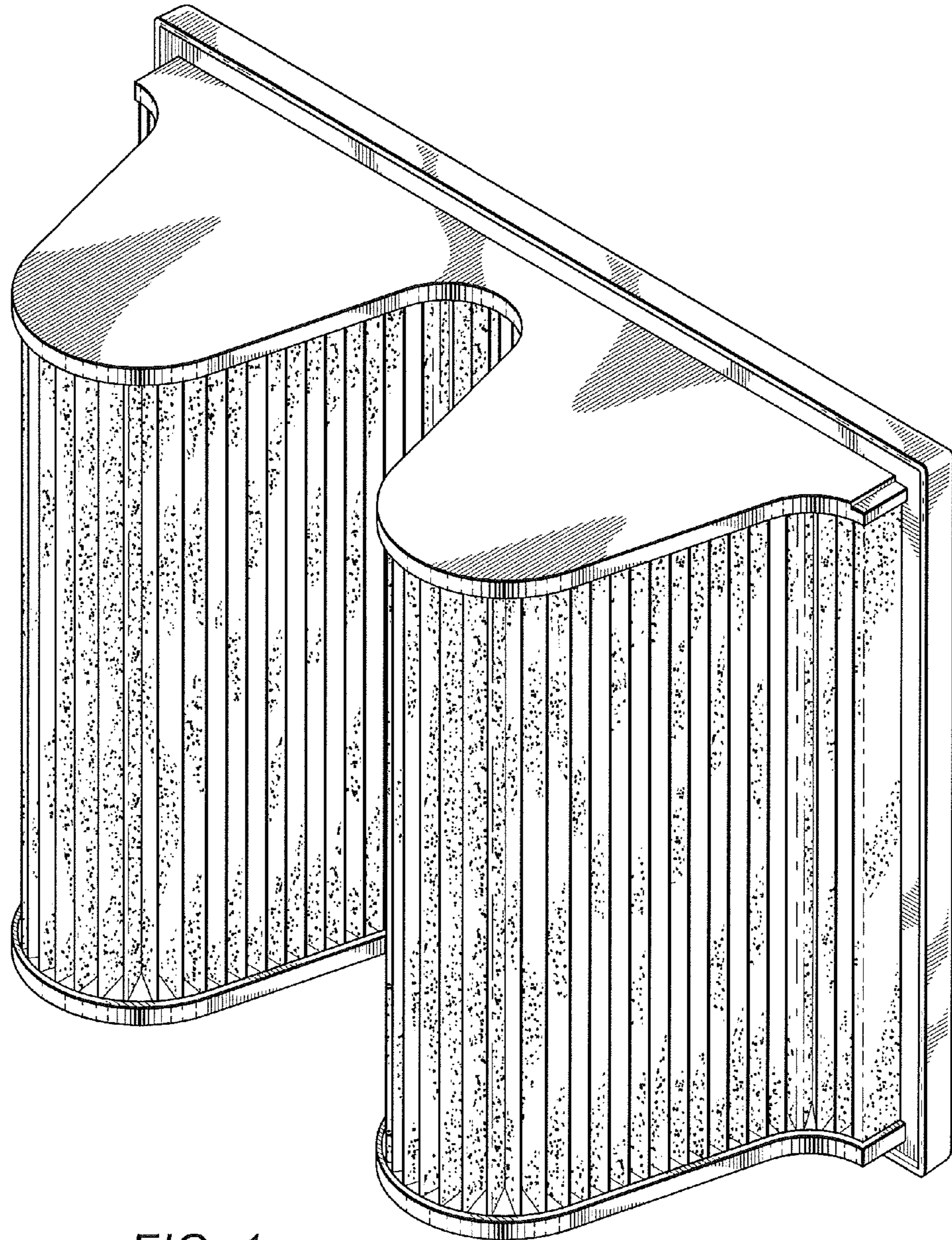
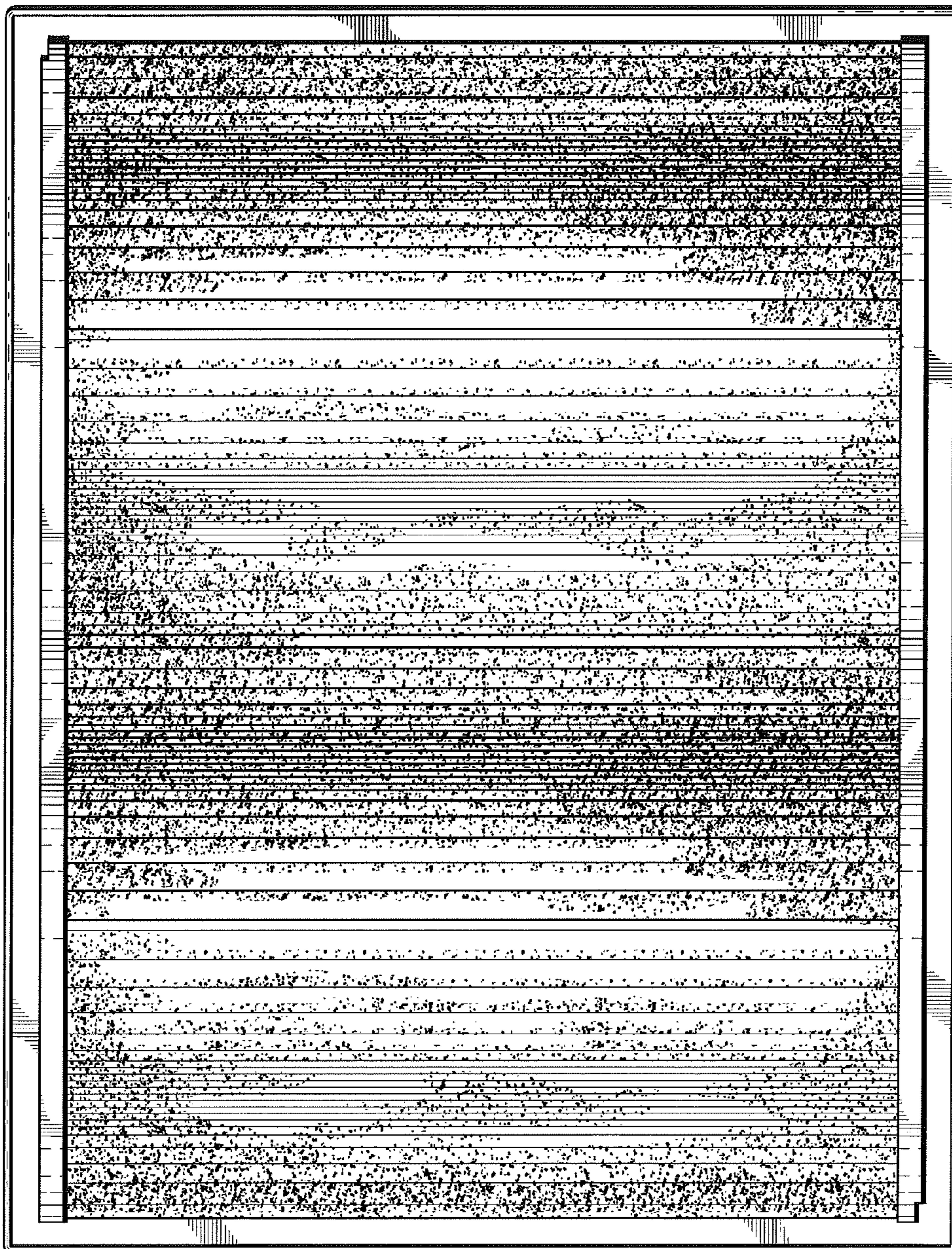


FIG. 1

FIG. 2



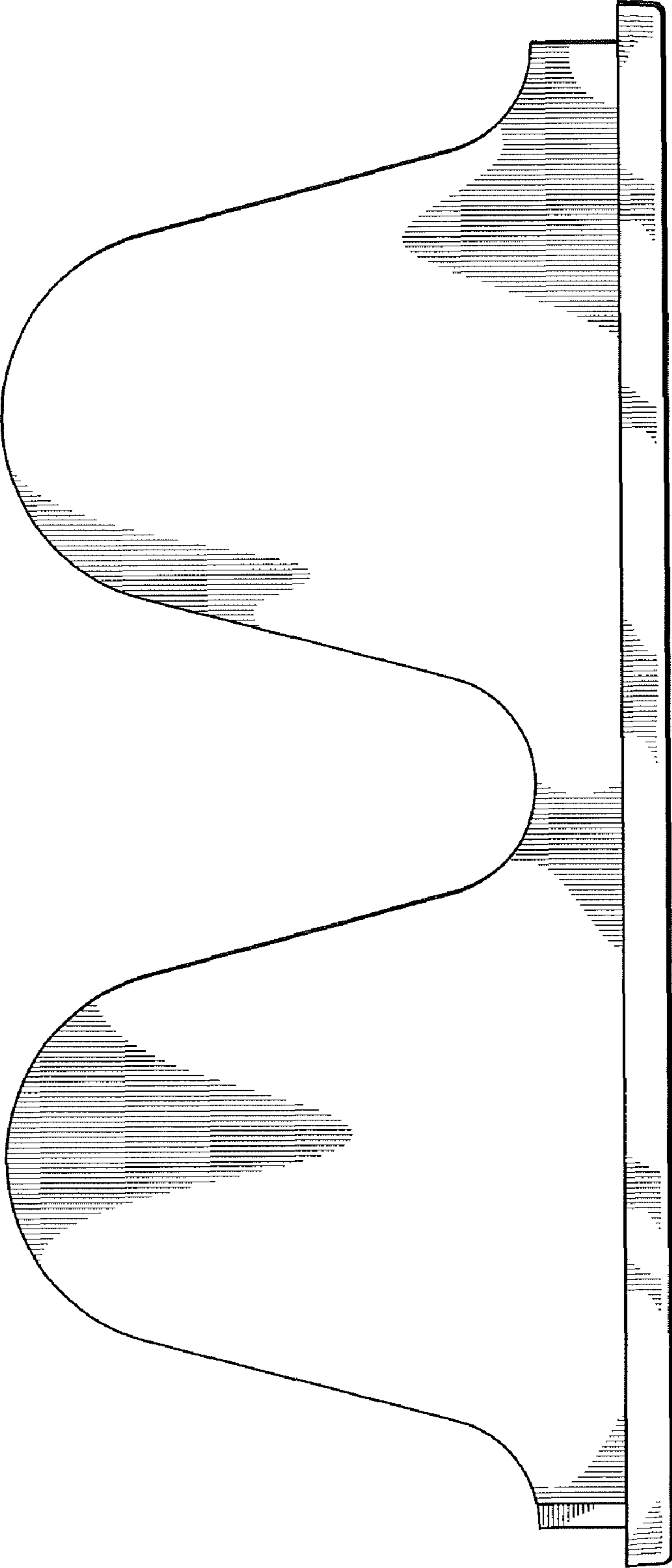
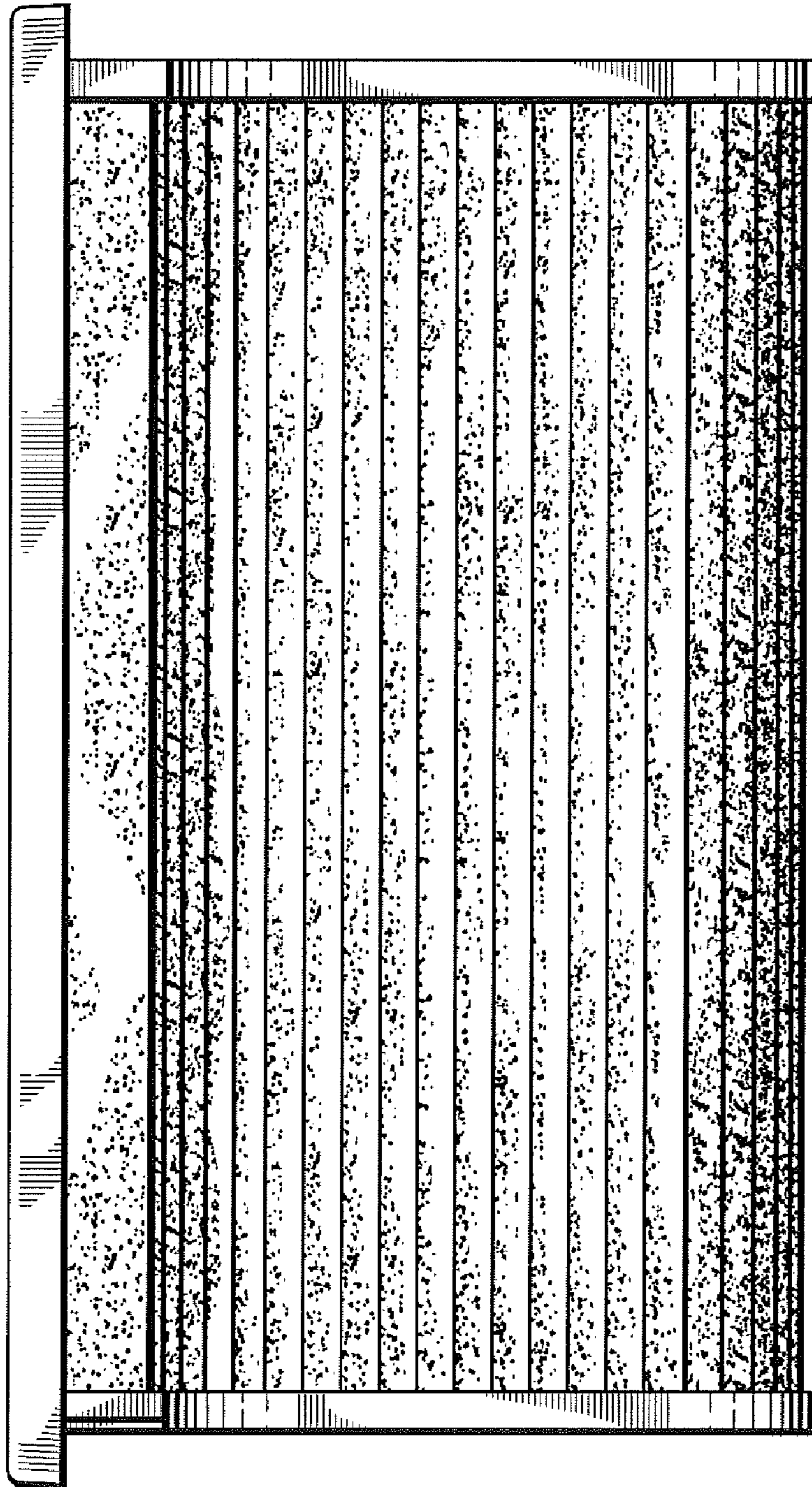


FIG. 3

FIG. 4



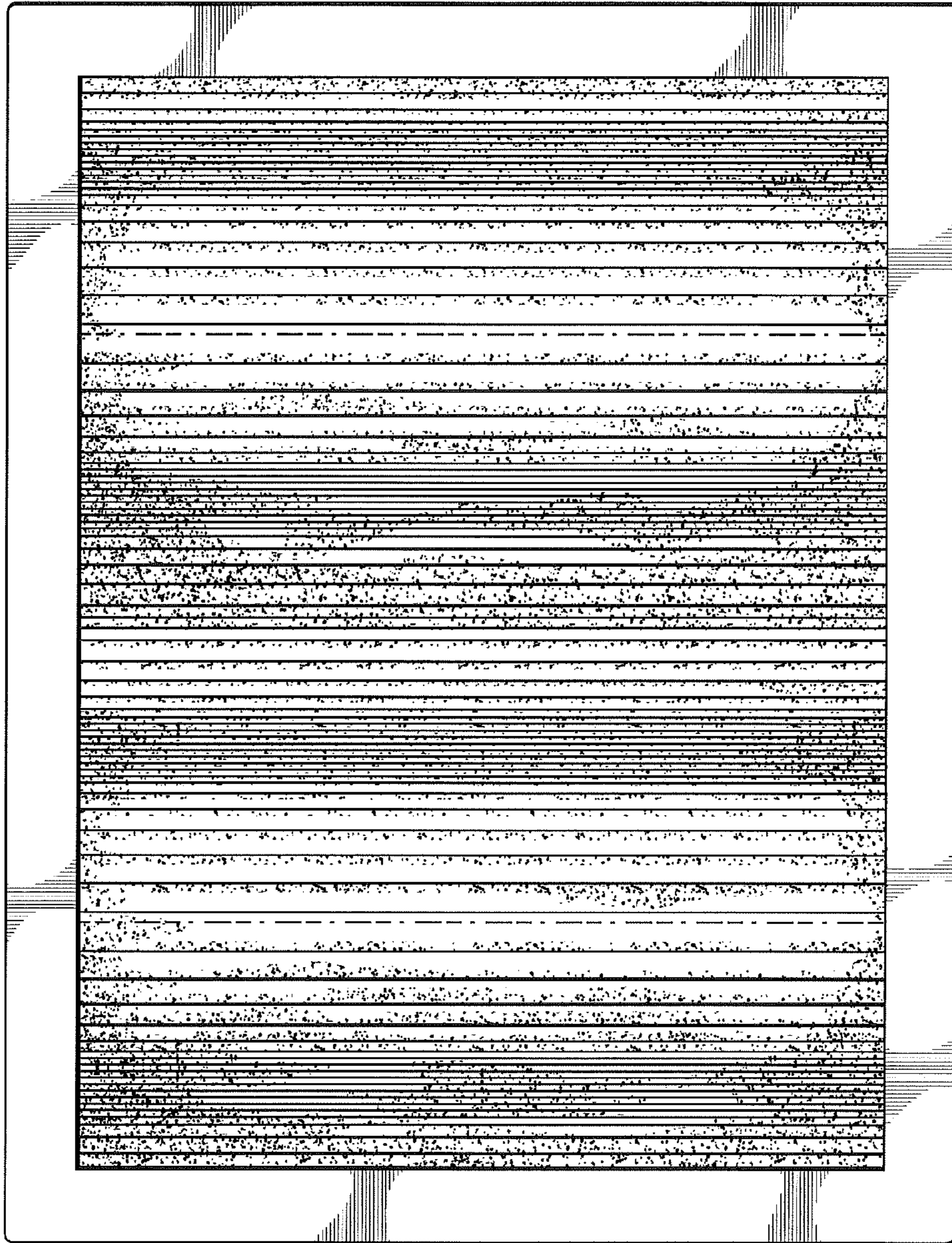


FIG. 5