

US00D667098S

(12) **United States Design Patent**
Choi et al.

(10) **Patent No.:** **US D667,098 S**

(45) **Date of Patent:** **** Sep. 11, 2012**

(54) **AIR PURIFIER**

(75) Inventors: **Taiwon Choi**, Glenview, IL (US); **Peter Maletich**, Evanston, IL (US); **Sebastien Labat**, Chicago, IL (US); **Matthieu Zastawny**, Philadelphia, PA (US); **Mathieu Turpault**, Pannington, NJ (US)

(73) Assignee: **Fellowes, Inc.**, Itasca, IL (US)

(**) Term: **14 Years**

(21) Appl. No.: **29/402,680**

(22) Filed: **Sep. 26, 2011**

(51) **LOC (9) Cl.** **23-04**

(52) **U.S. Cl.** **D23/364**

(58) **Field of Classification Search** D23/355-366,
D23/352, 369, 332, 333, 335, 336, 342, 351,
D23/353; 422/120, 122; 55/356, 473, 504;
96/97; D14/188, 170, 172; 261/DIG. 17,
261/DIG. 65, DIG. 88, DIG. 31; D18/34.6

See application file for complete search history.

(56) **References Cited**

U.S. PATENT DOCUMENTS

D572,351 S * 7/2008 Lewis D23/332
D594,948 S * 6/2009 Lewis D23/332
D599,456 S * 9/2009 Choi D23/364

D604,820 S * 11/2009 Cepass D23/332
D605,272 S * 12/2009 Chun et al. D23/359
D607,551 S * 1/2010 Catrino D23/332
D608,433 S * 1/2010 Murai et al. D23/364
D613,386 S * 4/2010 Niki et al. D23/364
D614,276 S * 4/2010 Harris et al. D23/364
D616,973 S * 6/2010 Maegawa et al. D23/342
D621,493 S * 8/2010 Choi D23/355
D643,520 S * 8/2011 Choi D23/364
D650,474 S * 12/2011 Huang D23/364

* cited by examiner

Primary Examiner — David Muller

(74) *Attorney, Agent, or Firm* — Pillsbury Winthrop Shaw Pittman LLP

(57) **CLAIM**

The ornamental design for a air purifier, as shown and described.

DESCRIPTION

FIG. 1 is a perspective view of an air purifier according to our design;

FIG. 2 is a front elevation view thereof;

FIG. 3 is a rear elevation view thereof;

FIG. 4 is a right side elevation view thereof;

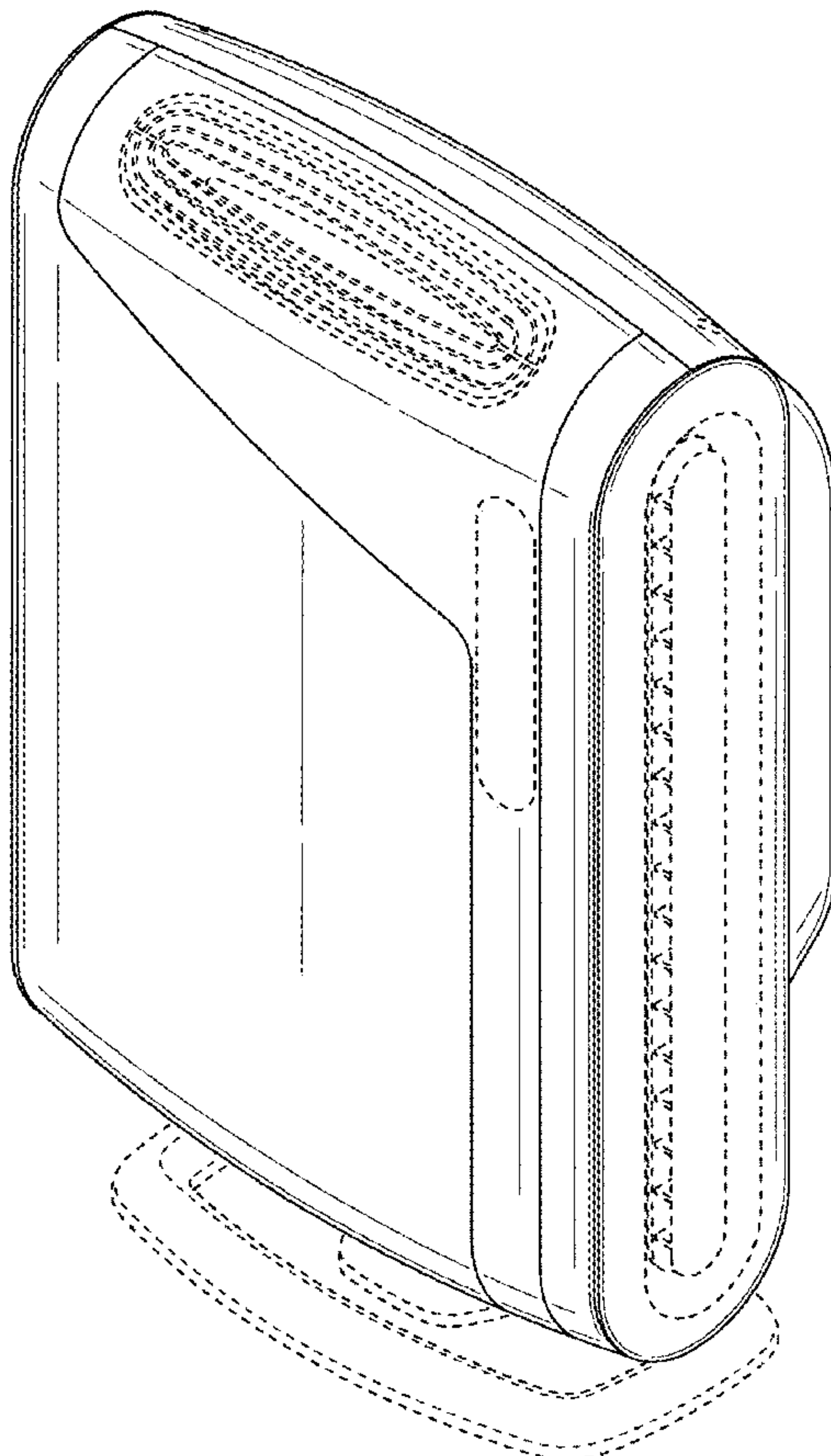
FIG. 5 is a left side elevation view thereof;

FIG. 6 is a top plan view thereof; and,

FIG. 7 bottom plan view thereof.

The features shown in broken lines depict environmental subject matter only and form no part of the claimed design.

1 Claim, 6 Drawing Sheets



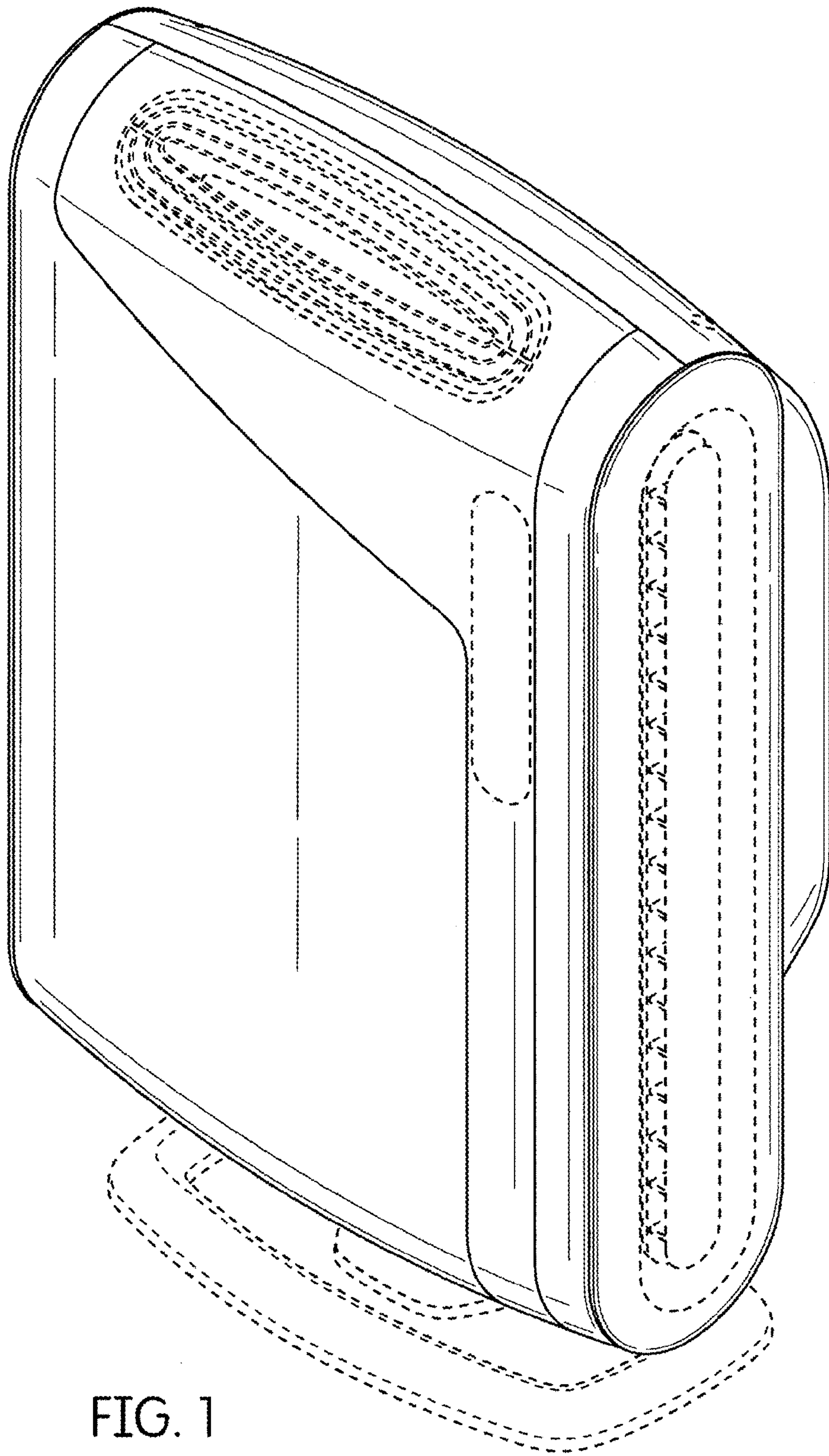


FIG. 1

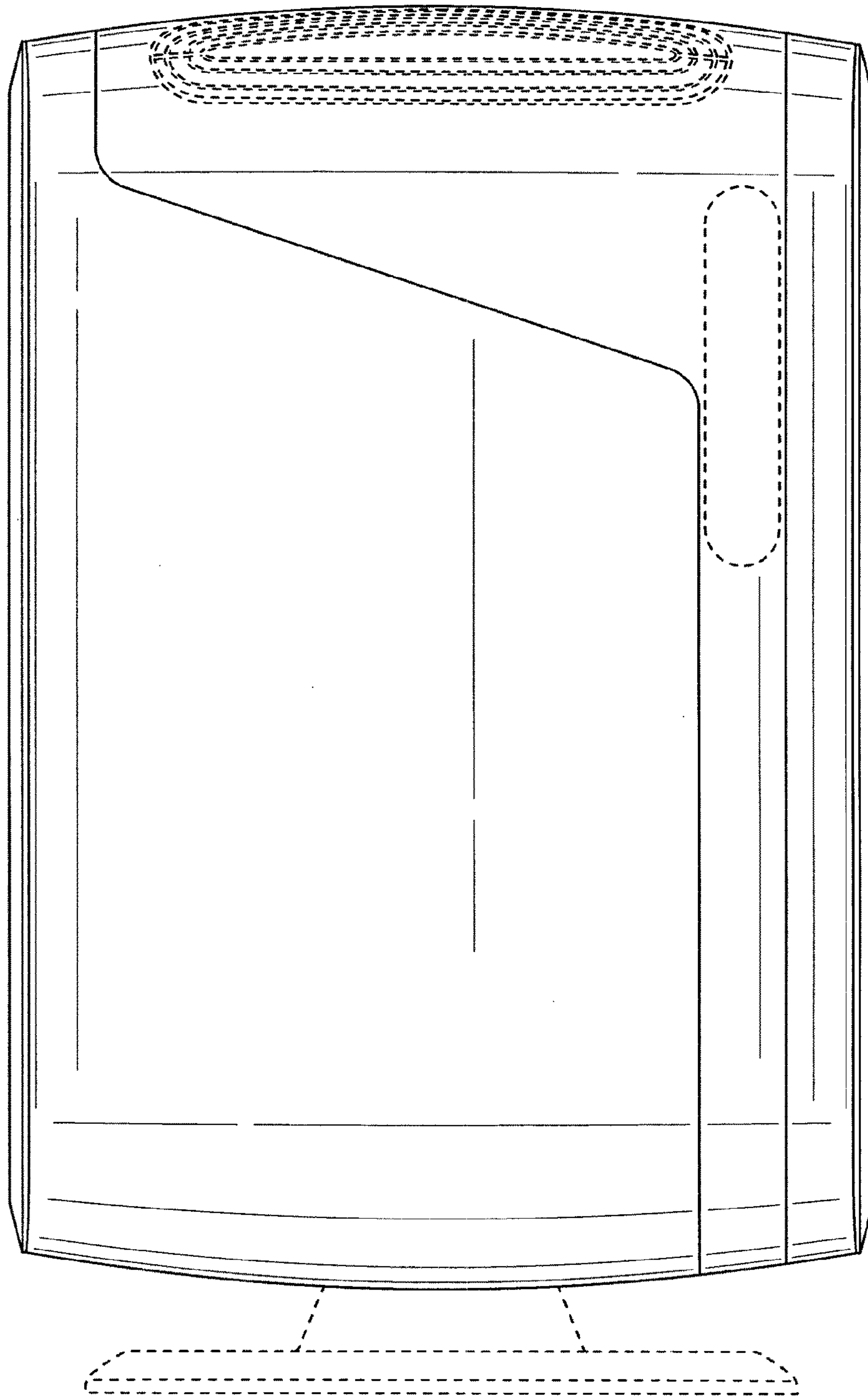


FIG. 2

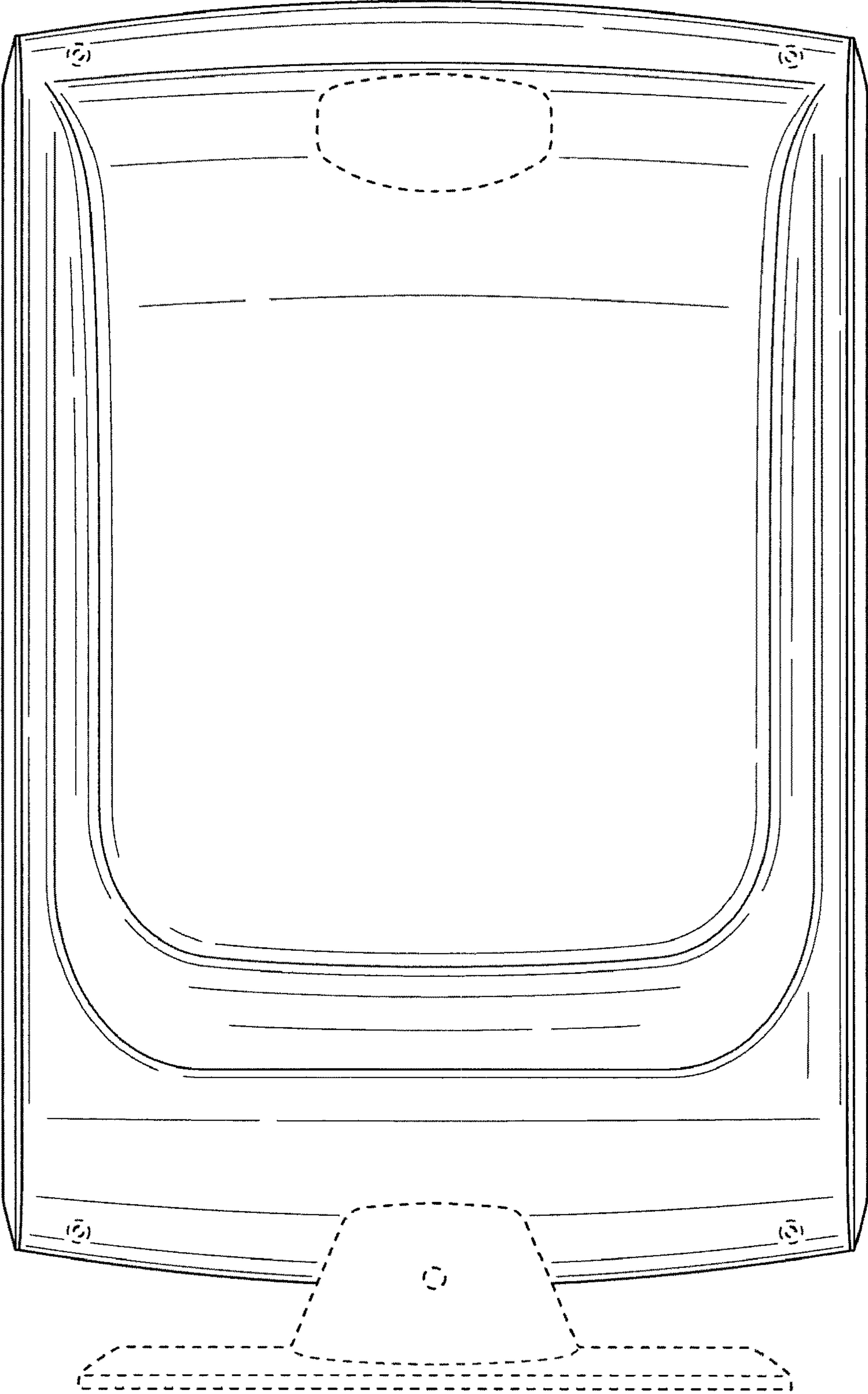


FIG. 3

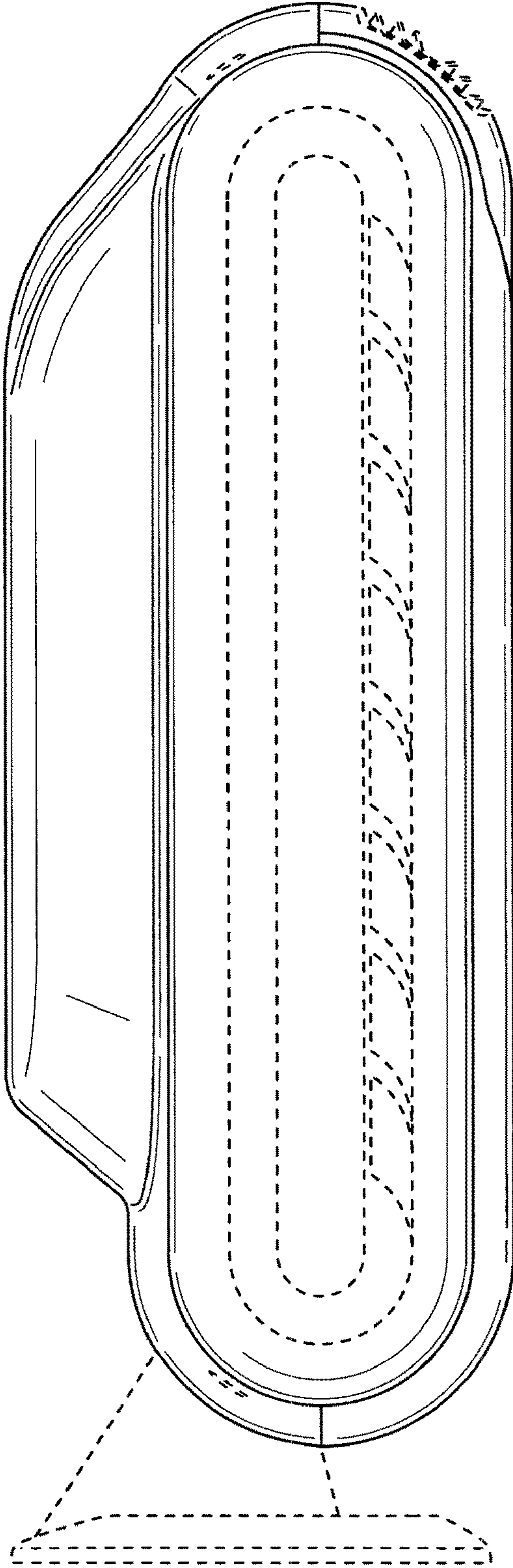


FIG. 4

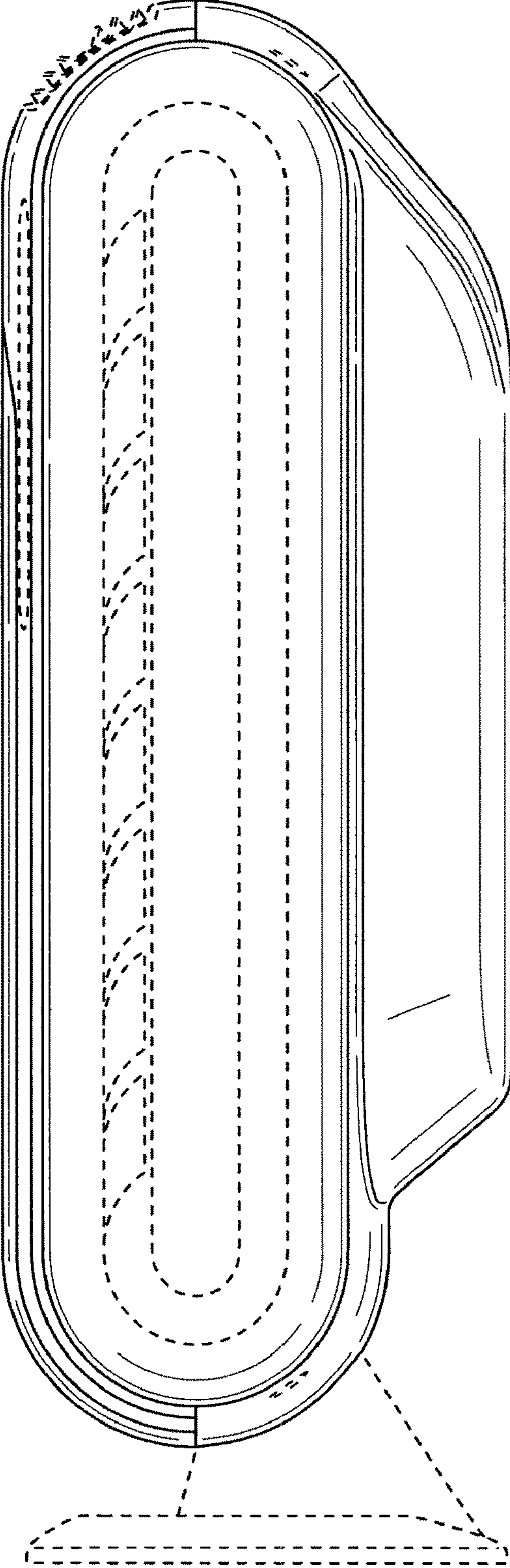


FIG. 5

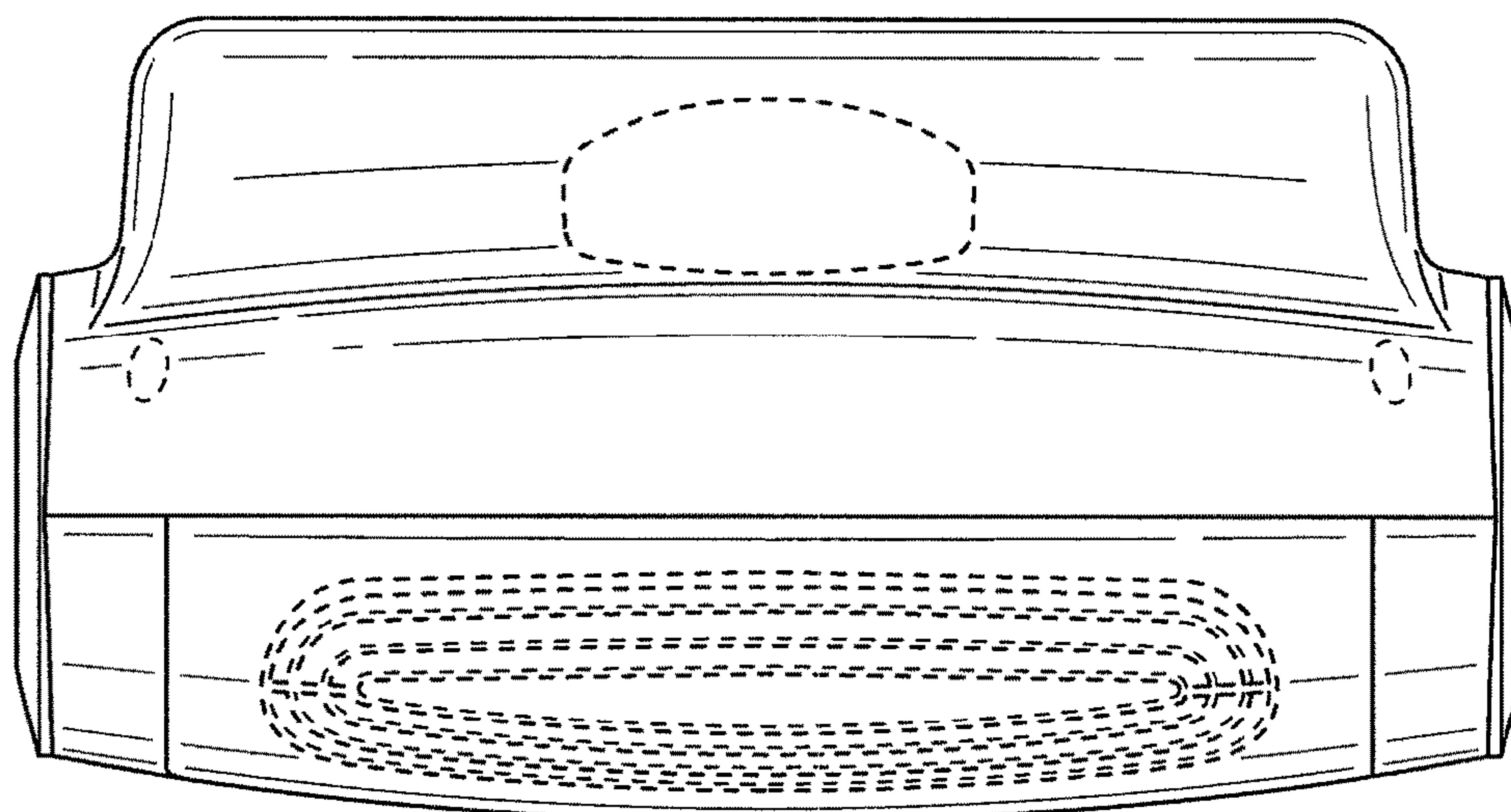


FIG. 6

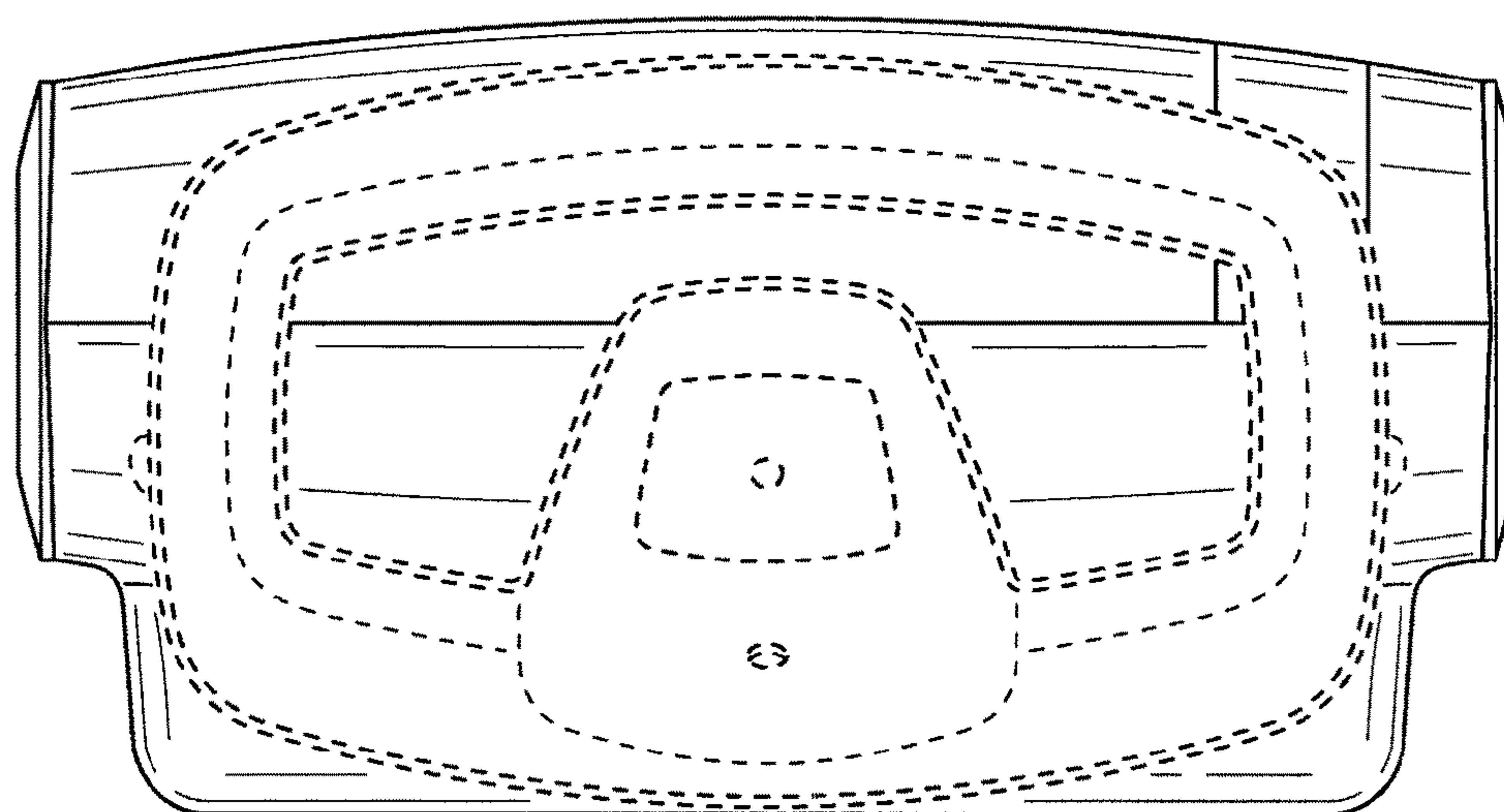


FIG. 7