

US00D667093S

(12) **United States Design Patent**
Guerrero et al.

(10) **Patent No.:** **US D667,093 S**

(45) **Date of Patent:** **** Sep. 11, 2012**

(54) **TOILET SEAT PROTECTOR**

(56) **References Cited**

(75) Inventors: **Ruth Guerrero**, Santo Domingo (DO);
Mirco Spotti, Santo Domingo (DO)

U.S. PATENT DOCUMENTS

D320,069	S	*	9/1991	Rossiter	D23/311
D621,919	S	*	8/2010	Sayre	D23/311
D631,532	S	*	1/2011	Sayre	D23/311
D659,813	S	*	5/2012	Diaz	D23/311

(73) Assignees: **Julia Muniz**, Santo Domingo, Distrito,
Nacional (DO); **Neyra Paulino**, Santo
Domingo, Distrito, Nacional (DO)

* cited by examiner

Primary Examiner — Robert Delehanty

(74) *Attorney, Agent, or Firm* — Porzio, Bromberg &
Newman, P.C.

(**) Term: **14 Years**

(57) **CLAIM**

We claim, the ornamental design for a toilet seat protector, as
shown and described.

(21) Appl. No.: **29/415,049**

DESCRIPTION

(22) Filed: **Mar. 7, 2012**

FIG. 1 is a perspective view, showing our new design;
FIG. 2 is a front elevational view thereof;
FIG. 3 is a rear elevational view thereof;
FIG. 4 is a right elevational side view thereof;
FIG. 5 is a left elevational side view thereof;
FIG. 6 is a top plan view thereof; and,
FIG. 7 is a bottom plan view thereof.

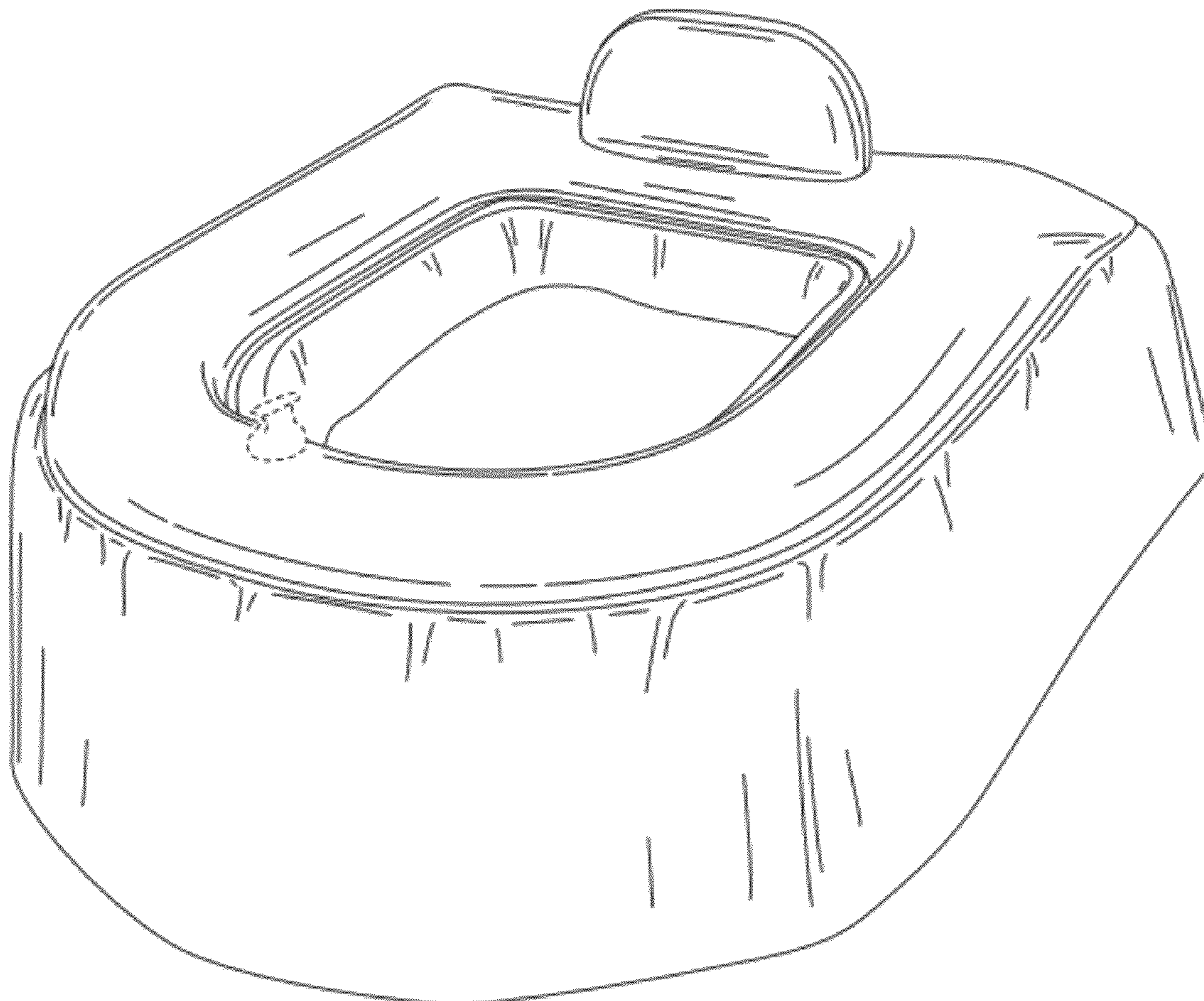
(51) **LOC (9) Cl.** **23-02**

(52) **U.S. Cl.** **D23/311**

(58) **Field of Classification Search** D23/303,
D23/311; 4/245.8–245.9

See application file for complete search history.

1 Claim, 7 Drawing Sheets



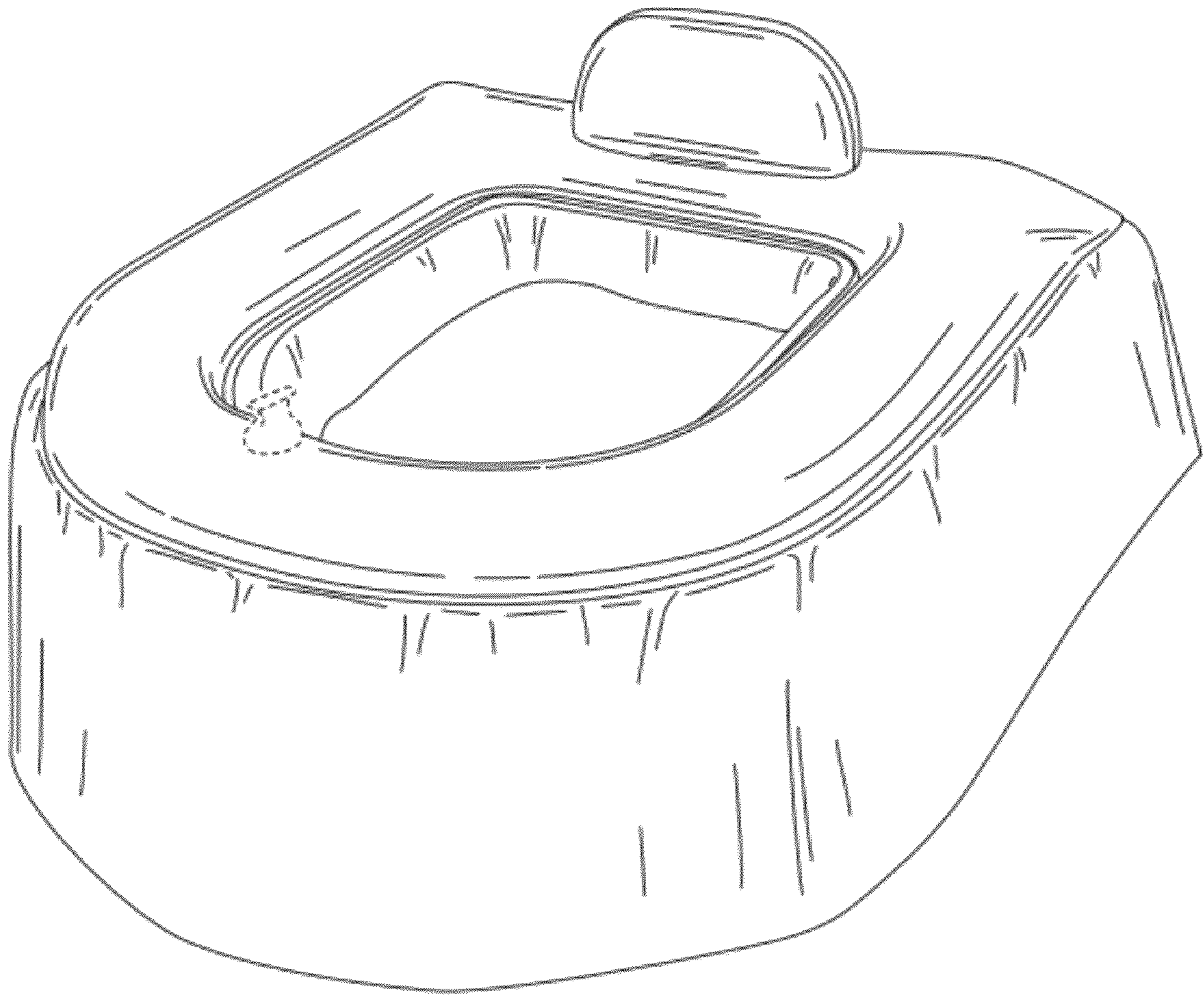


FIG. 1

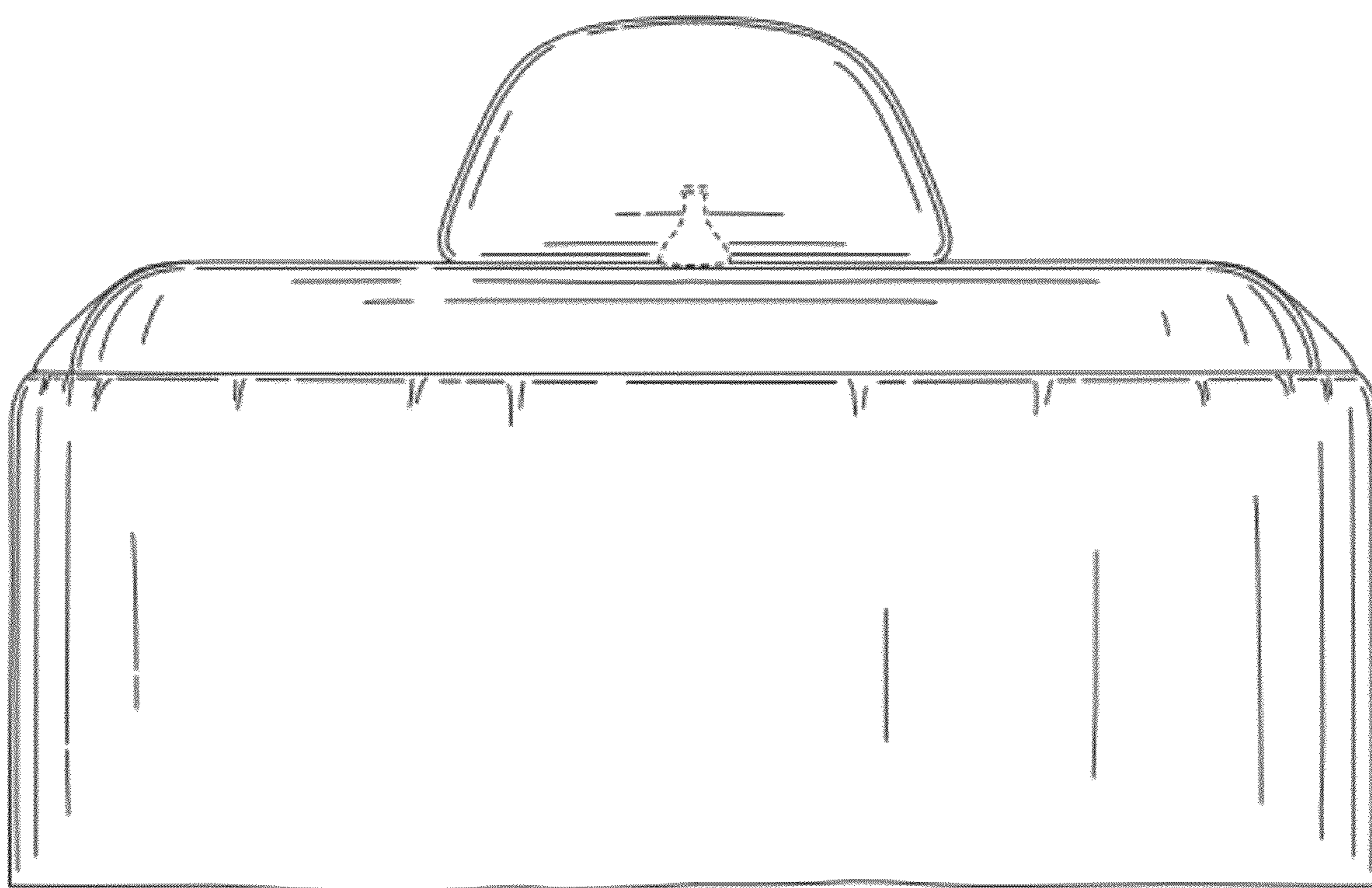


FIG. 2

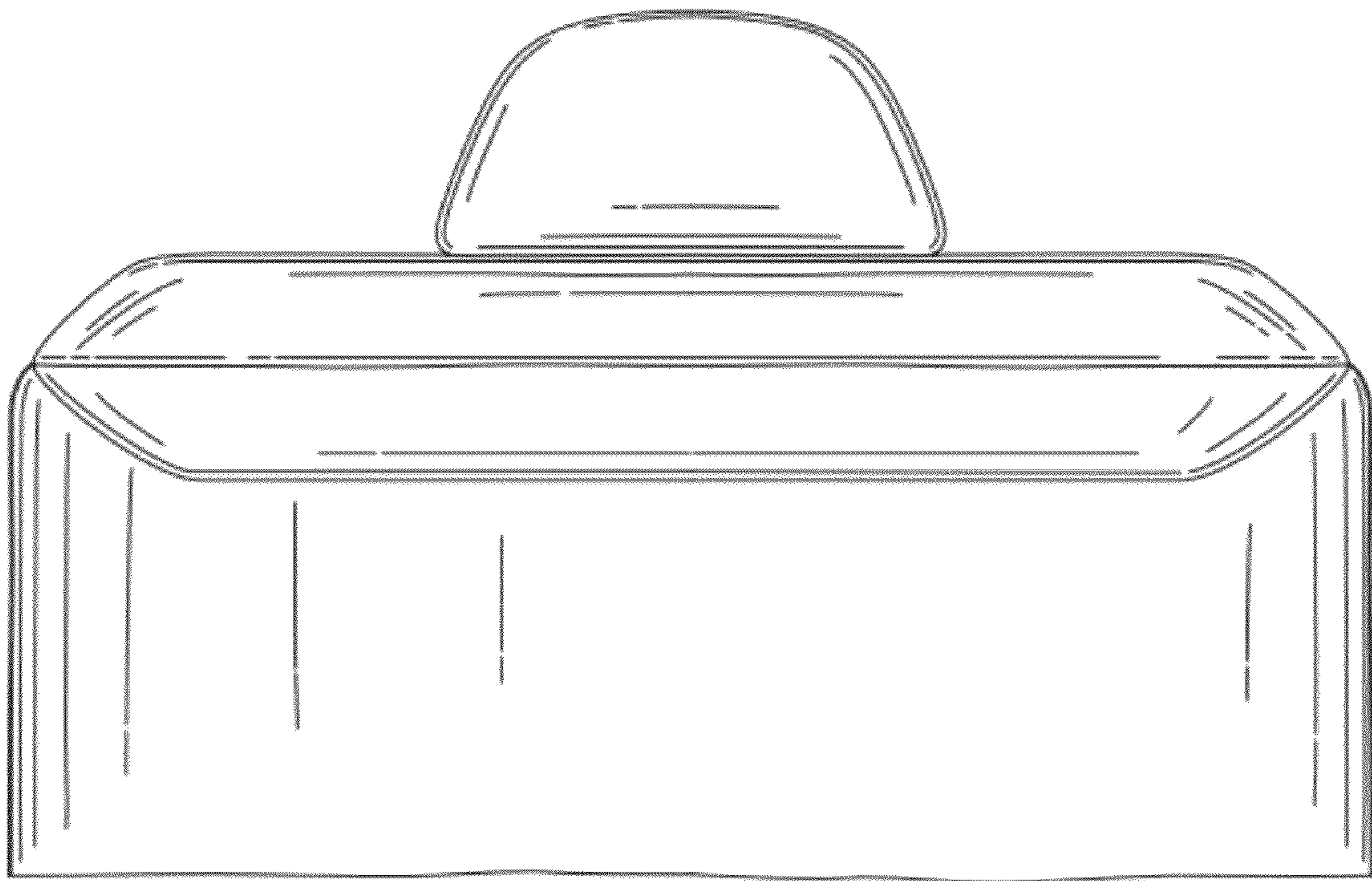


FIG. 3

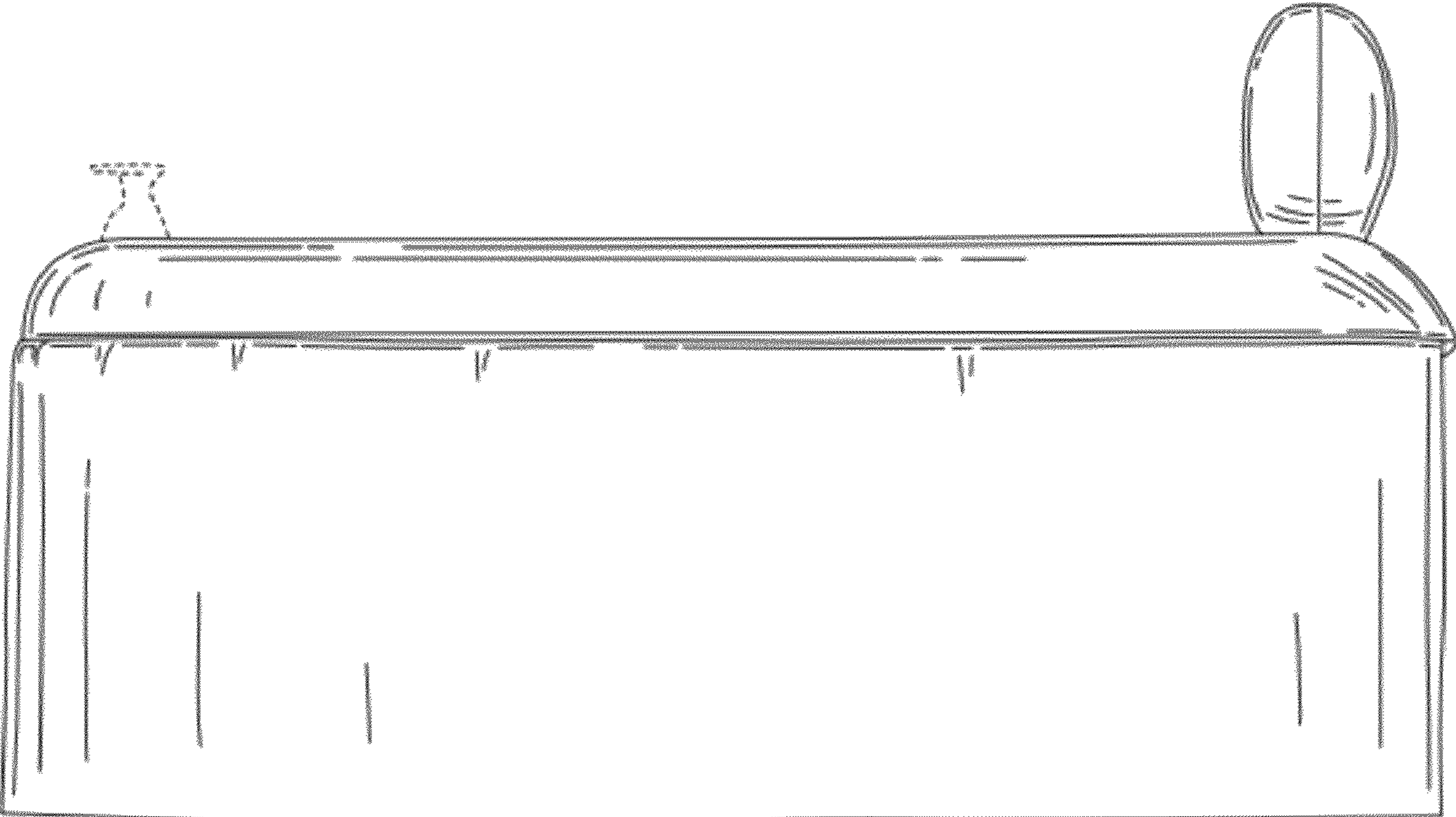


FIG. 4

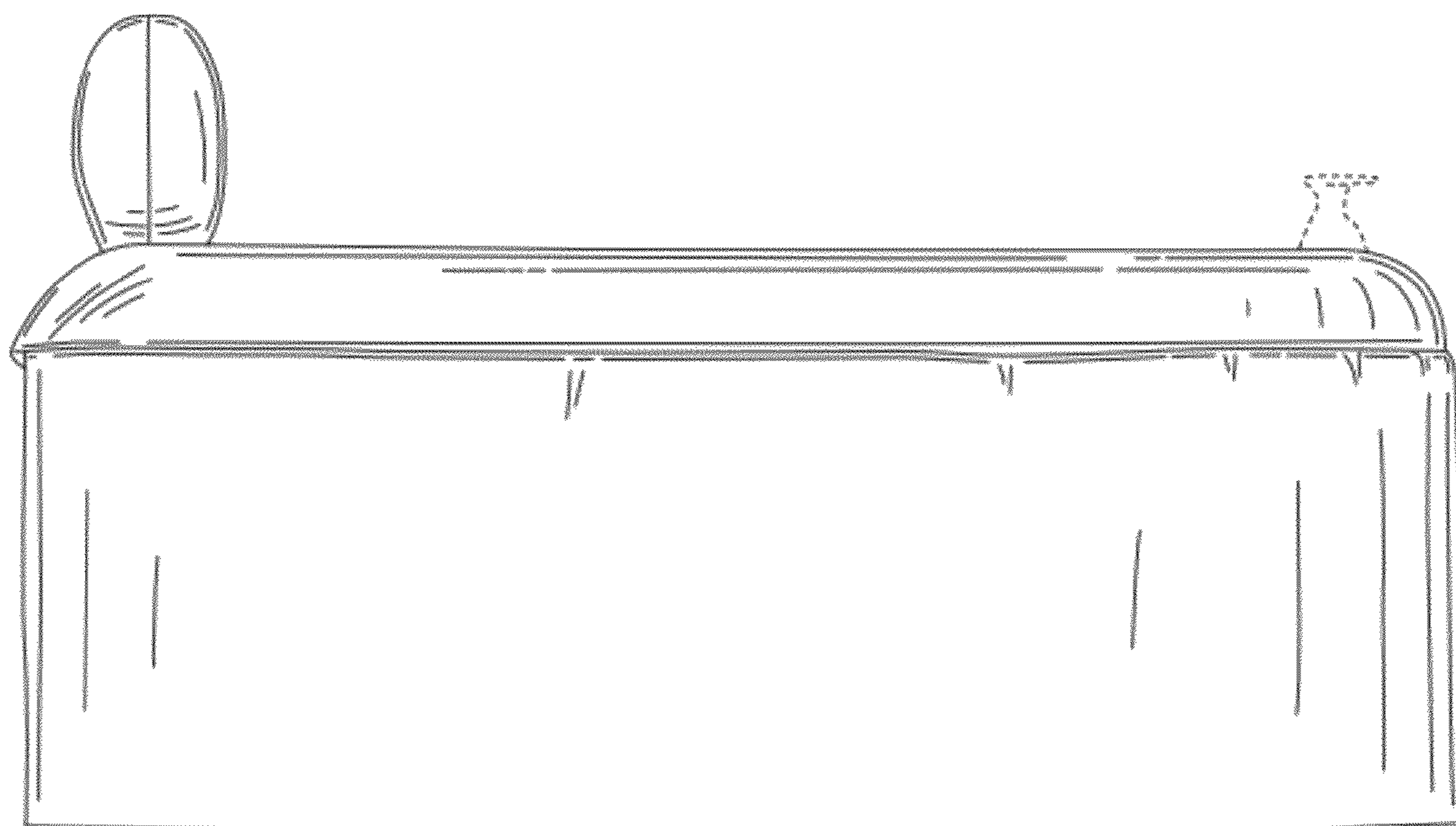


FIG. 5

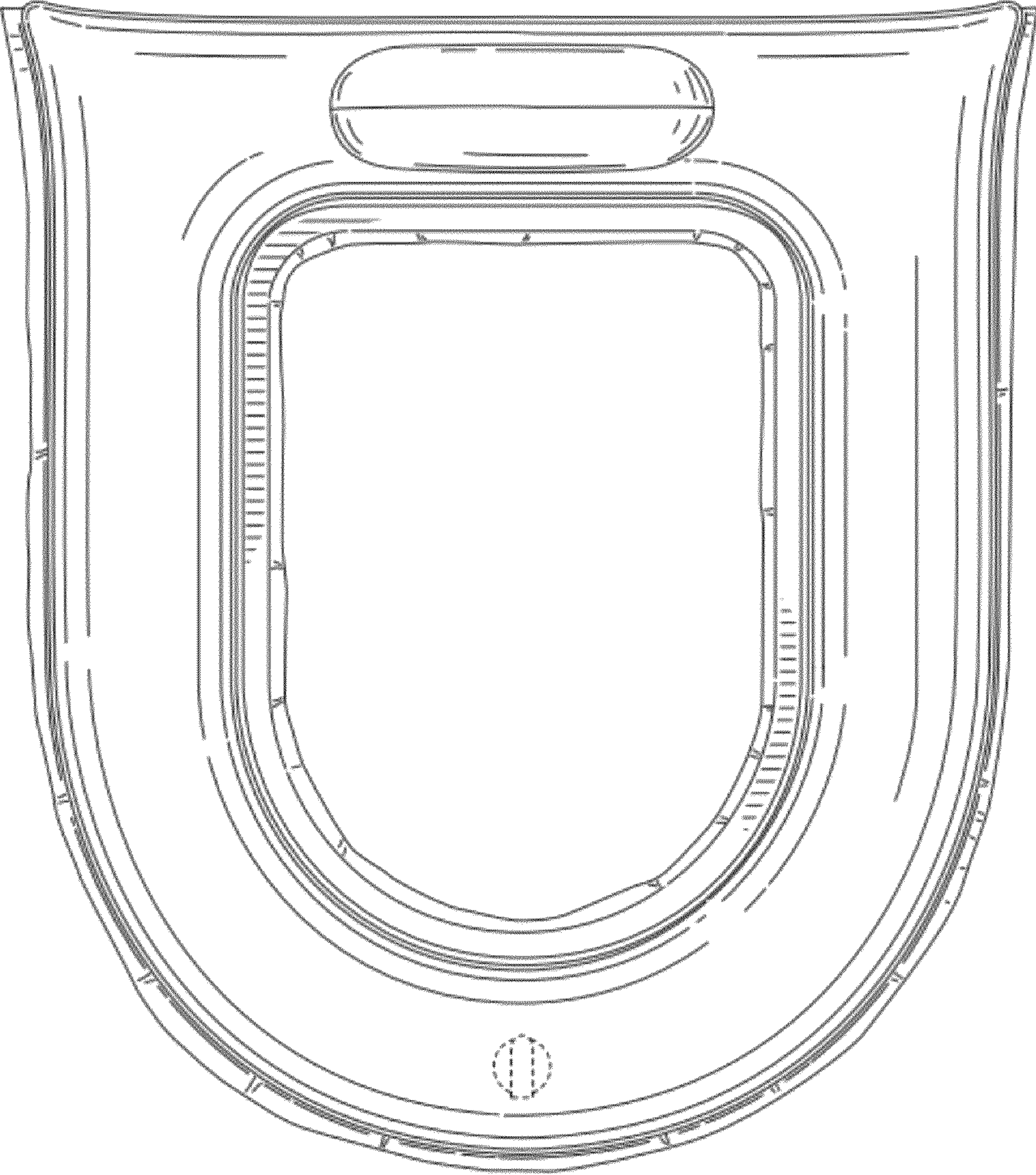


FIG. 6

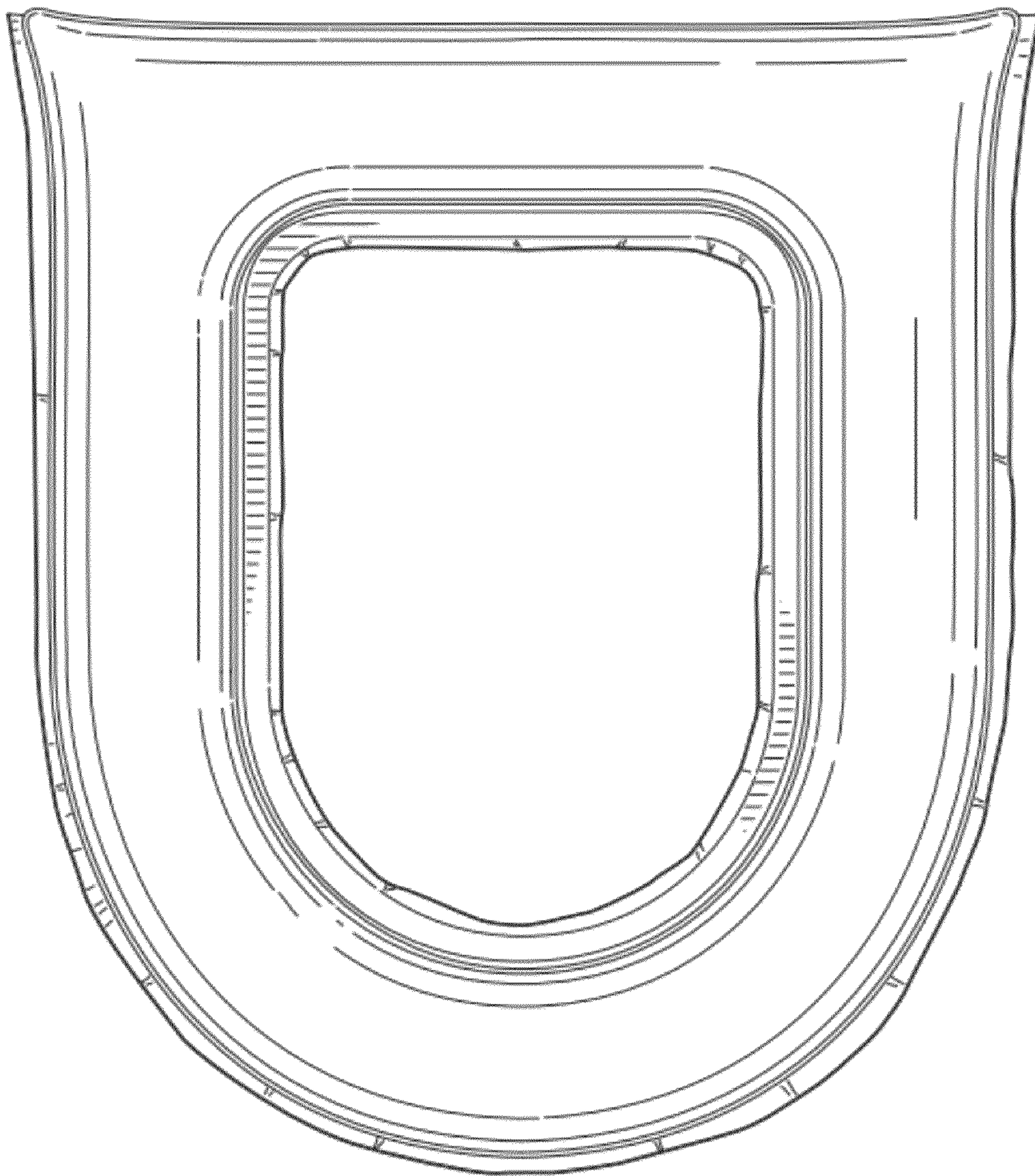


FIG. 7