



US00D667091S

(12) **United States Design Patent**
Vanderheyden et al.

(10) **Patent No.:** **US D667,091 S**
(45) **Date of Patent:** **** Sep. 11, 2012**

(54) **LAVATORY**

(75) Inventors: **Jacob P. Vanderheyden**, Sheboygan, WI (US); **Jacob Lusson**, Clayton, MO (US); **Nicholas Paterson**, Whitefish Bay, WI (US)

(73) Assignee: **Kohler Co.**, Kohler, WI (US)

(**) Term: **14 Years**

(21) Appl. No.: **29/416,380**

(22) Filed: **Mar. 21, 2012**

Related U.S. Application Data

(62) Division of application No. 29/385,778, filed on Feb. 18, 2011, now Pat. No. Des. 659,228.

(51) **LOC (9) Cl.** **23-02**

(52) **U.S. Cl.** **D23/308**

(58) **Field of Classification Search** D23/284,
D23/293.1, 308; 4/619

See application file for complete search history.

(56) **References Cited**

U.S. PATENT DOCUMENTS

D100,205 S 6/1936 Coordes
D139,483 S 11/1944 Trombley

D326,903 S 6/1992 Reid
D362,901 S 10/1995 Dannenberg et al.
D507,334 S 7/2005 Ferrer Beltran
D588,245 S 3/2009 Kohler, Jr. et al.

Primary Examiner — Robert Delehanty

(74) *Attorney, Agent, or Firm* — Foley & Lardner LLP

(57) **CLAIM**

We claim the ornamental design for a lavatory, as shown and described.

DESCRIPTION

FIG. 1 is a top perspective view of an embodiment of the claimed design;

FIG. 2 is a top plan view of the claimed design of FIG. 1;

FIG. 3 is a bottom plan view of the claimed design of FIG. 1;

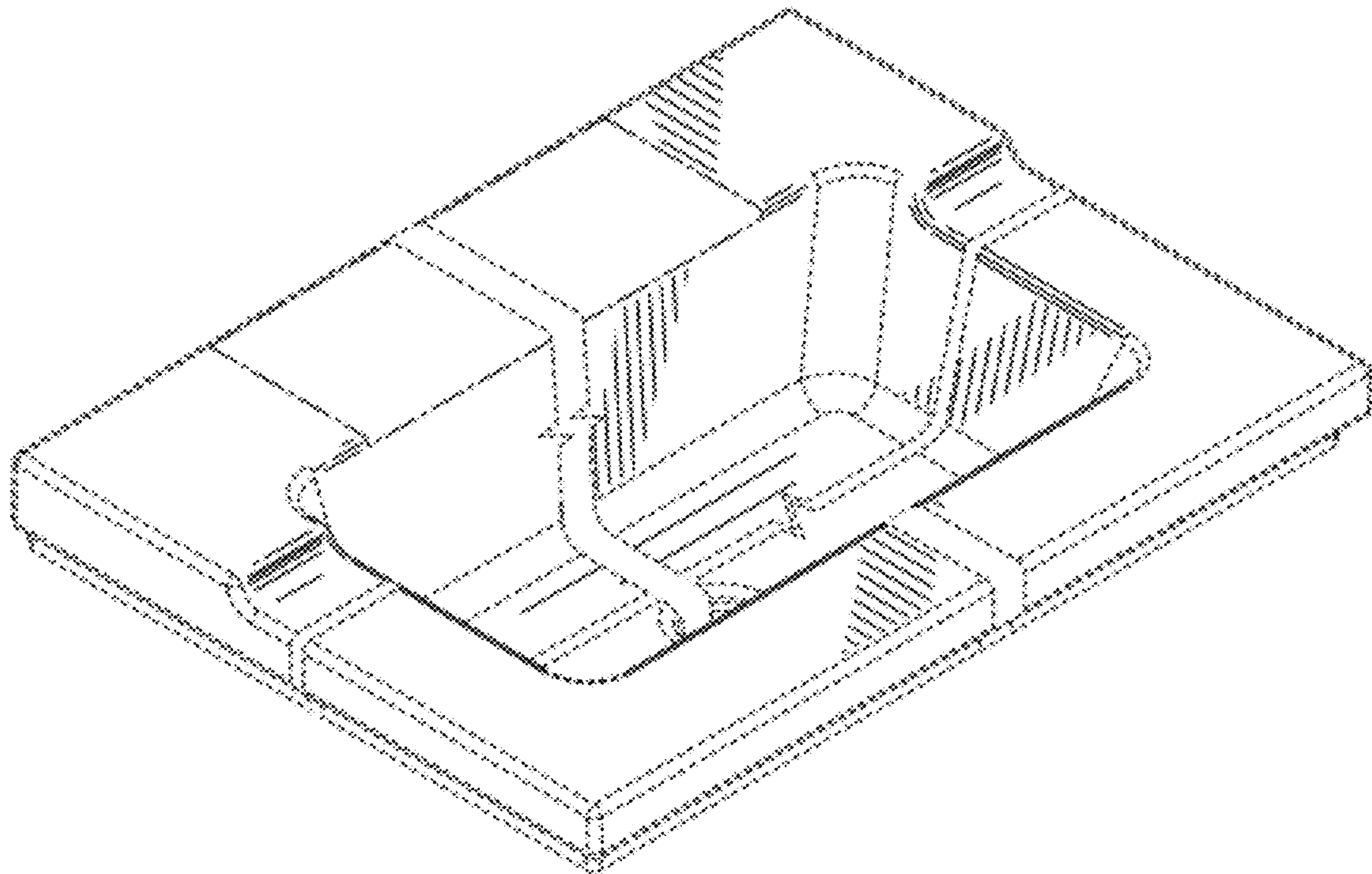
FIG. 4 is a front view of the claimed design of FIG. 1;

FIG. 5 is a rear view of the claimed design of FIG. 1; and,

FIG. 6 is a right-side view of the claimed design of FIG. 1.

The ornamental design which is claimed is shown in solid lines in the drawings. The broken lines in the drawings are for illustrative purposes only and form no part of the claimed design. Dash-dot-dash lines represent unclaimed boundaries of claimed surfaces. Break lines are used in particular to indicate that no specific length is being claimed.

1 Claim, 4 Drawing Sheets



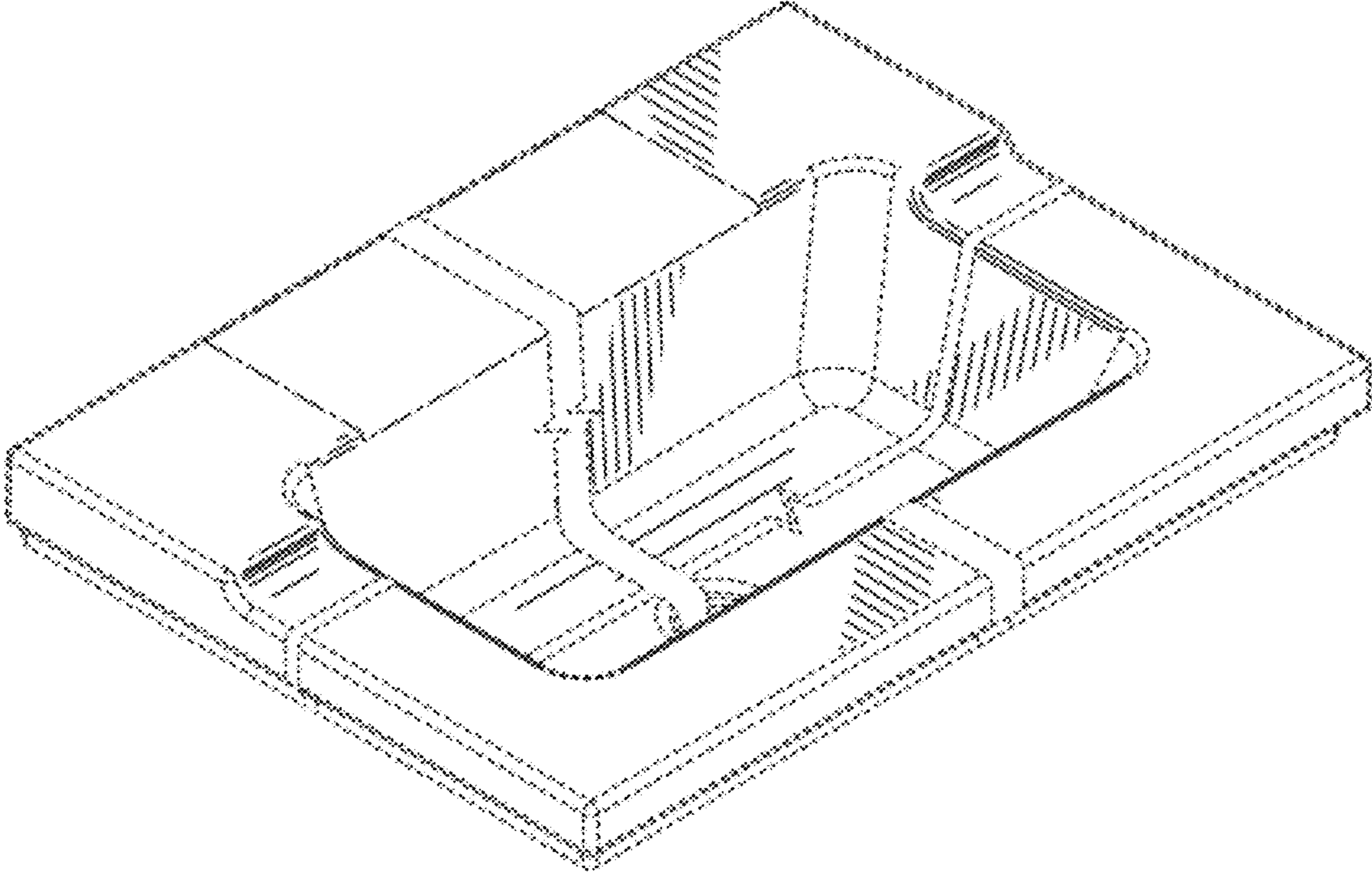


FIG. 1

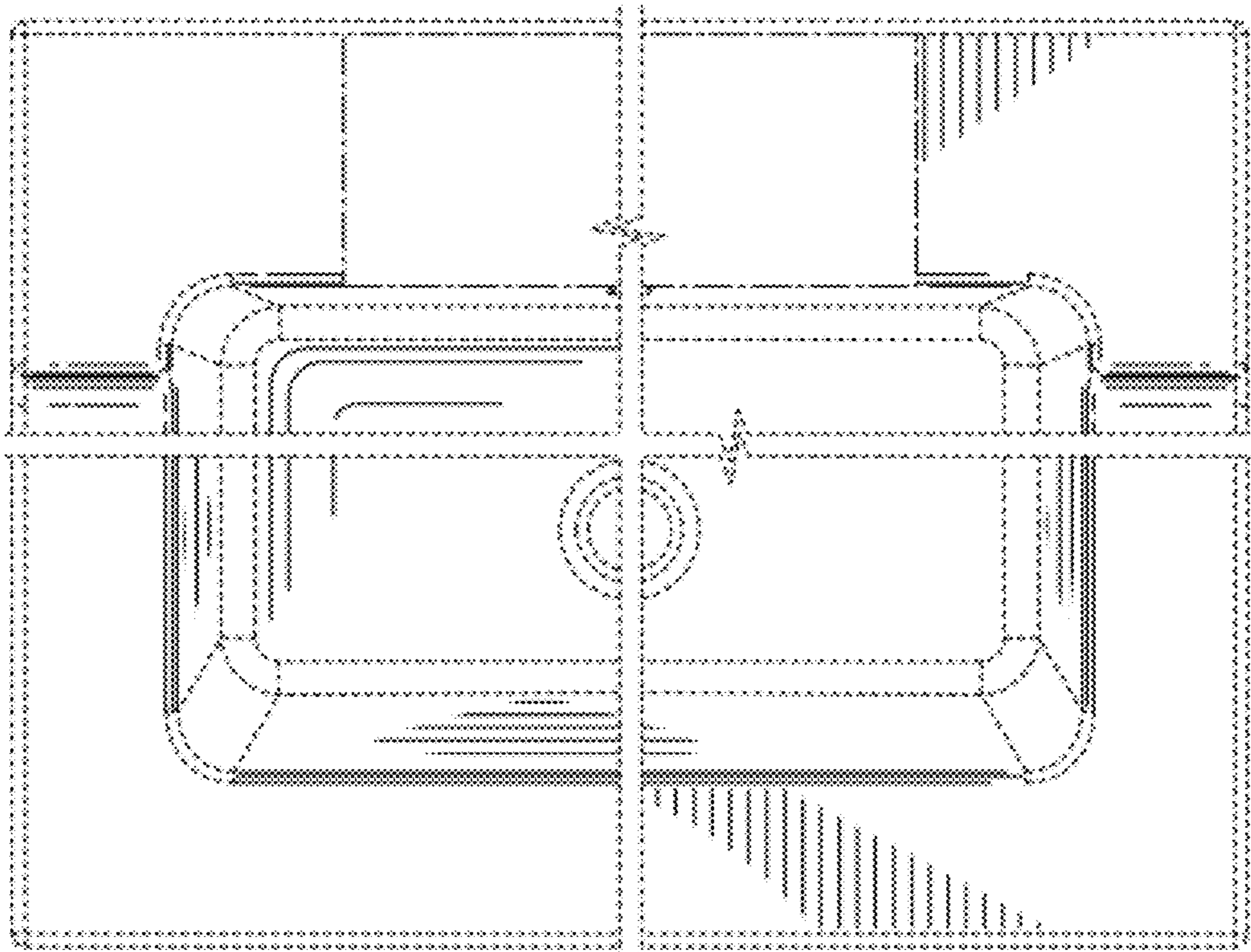


FIG. 2

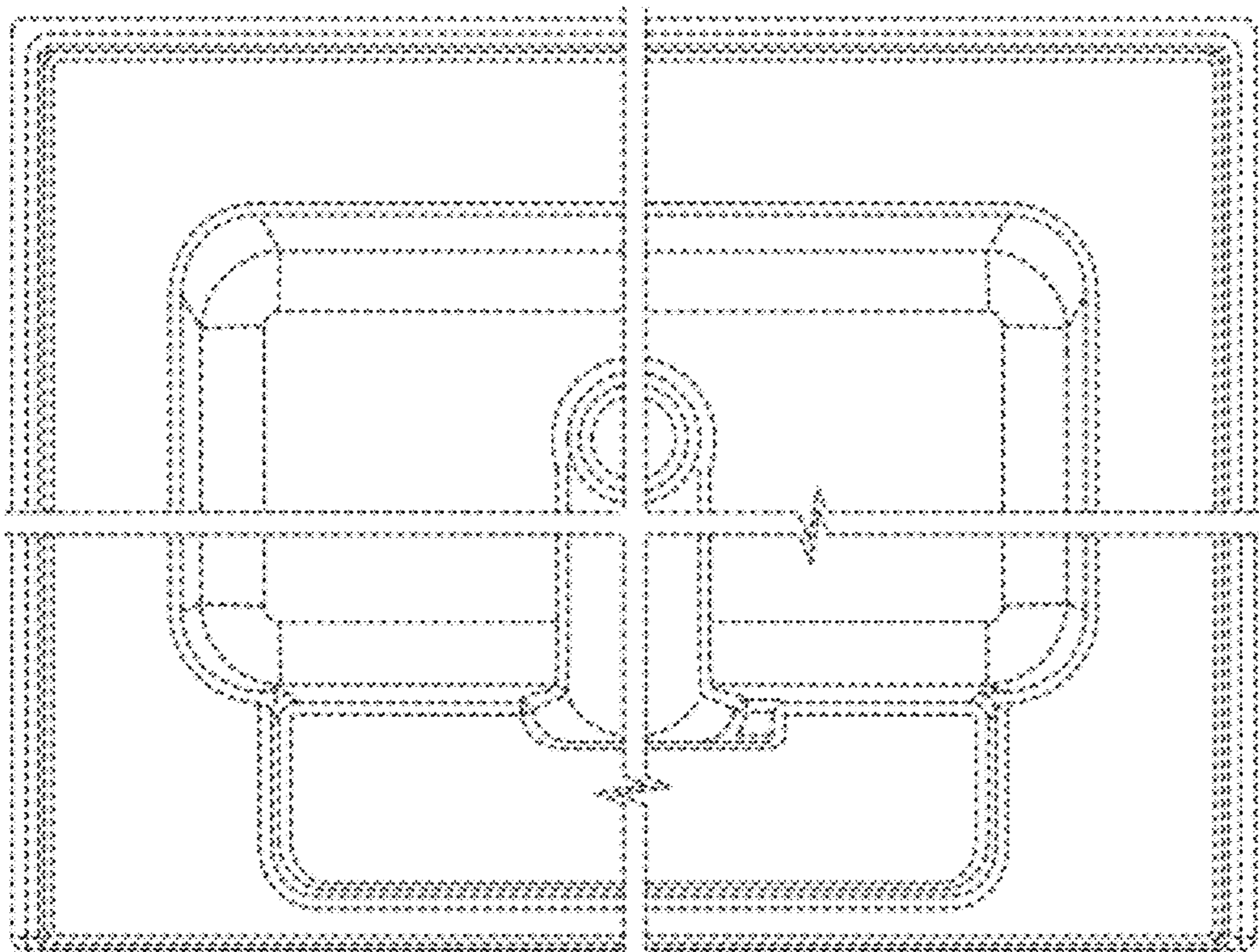


FIG. 3

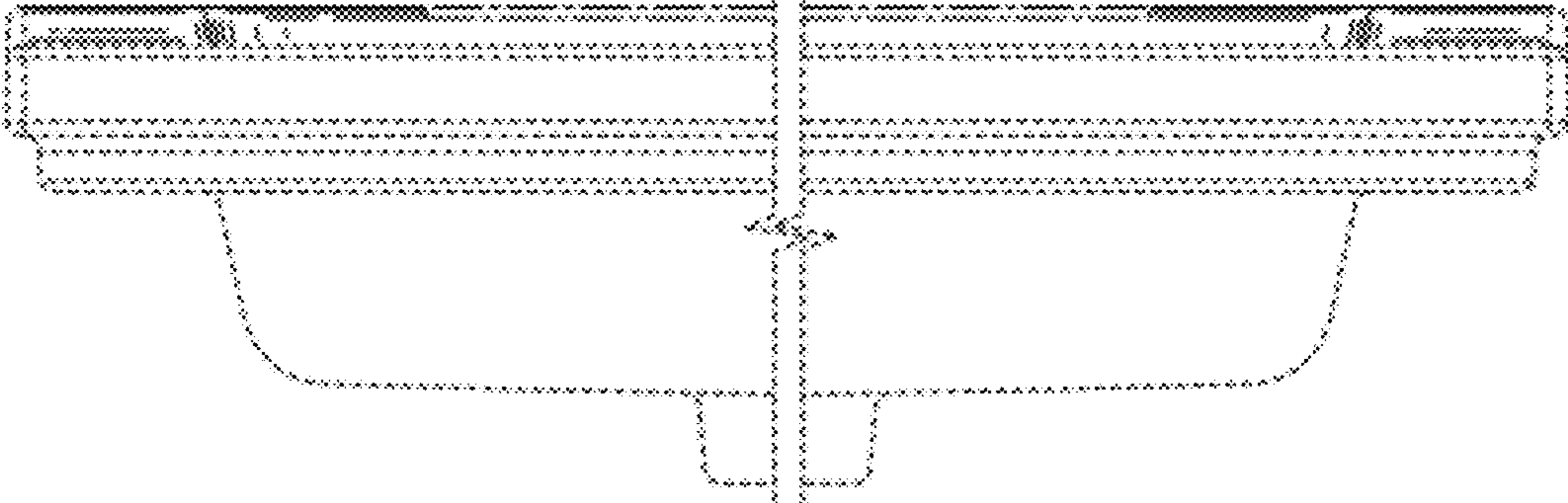


FIG. 4

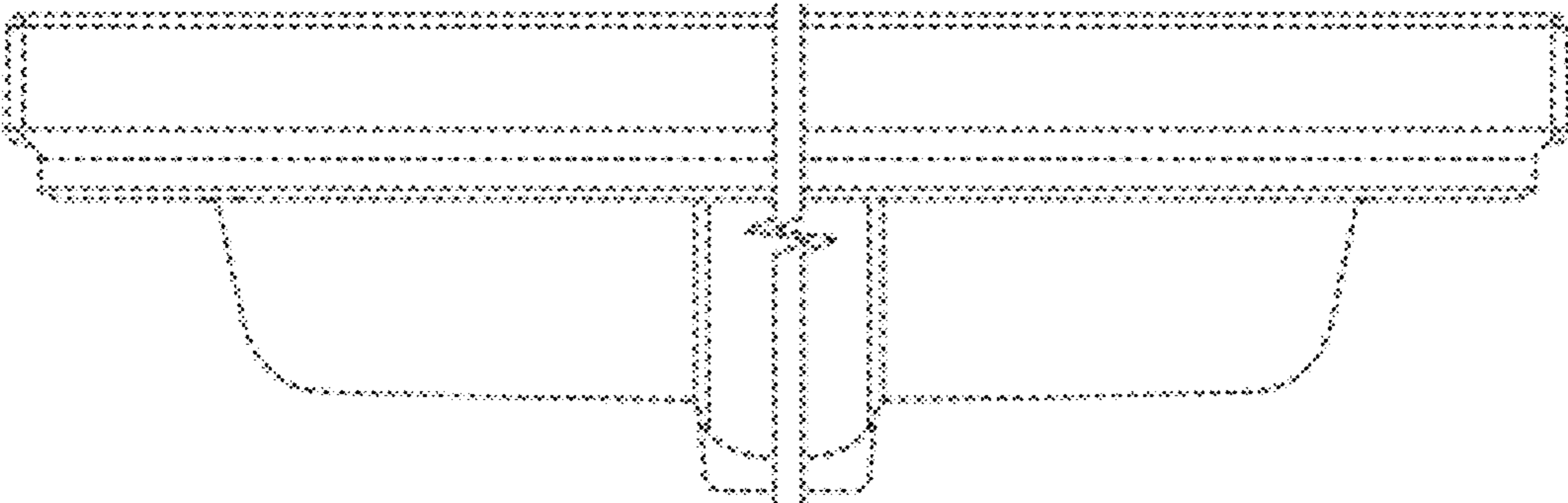


FIG. 5

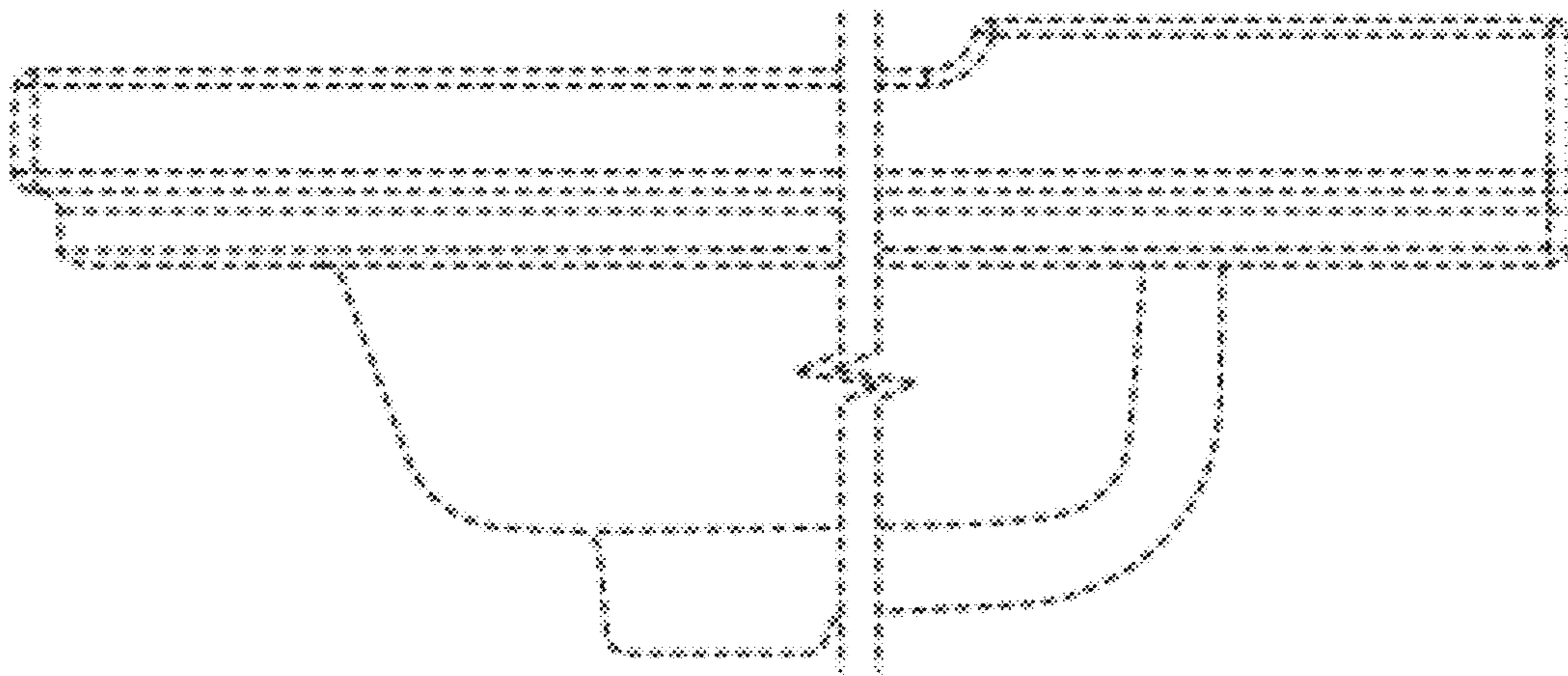


FIG. 6