

US00D667088S

(12) **United States Design Patent**  
**Kwok**

(10) **Patent No.:** **US D667,088 S**

(45) **Date of Patent:** **\*\* Sep. 11, 2012**

(54) **FAUCET**

(75) **Inventor:** **Celine Kwok**, Indianapolis, IN (US)

(73) **Assignee:** **Masco Corporation of Indiana**,  
Indianapolis, IN (US)

(\*\*) **Term:** **14 Years**

(21) **Appl. No.:** **29/406,654**

(22) **Filed:** **Nov. 17, 2011**

(51) **LOC (9) Cl.** ..... **23-01**

(52) **U.S. Cl.** ..... **D23/242**

(58) **Field of Classification Search** ..... D23/238,  
D23/241-243, 250, 252, 255, 257; 4/675-678;  
137/801

See application file for complete search history.

(56) **References Cited**

U.S. PATENT DOCUMENTS

D528,190 S *	9/2006	Fritz et al. ....	D23/241
D578,614 S *	10/2008	Fritz et al. ....	D23/241
D655,789 S *	3/2012	Kwok .....	D23/242
D656,585 S *	3/2012	McKeone .....	D23/238

\* cited by examiner

*Primary Examiner* — Robert Delehanty

(74) *Attorney, Agent, or Firm* — Edgar A. Zarins; Nirav D. Parikh; Lora J. Graentzdoerffer

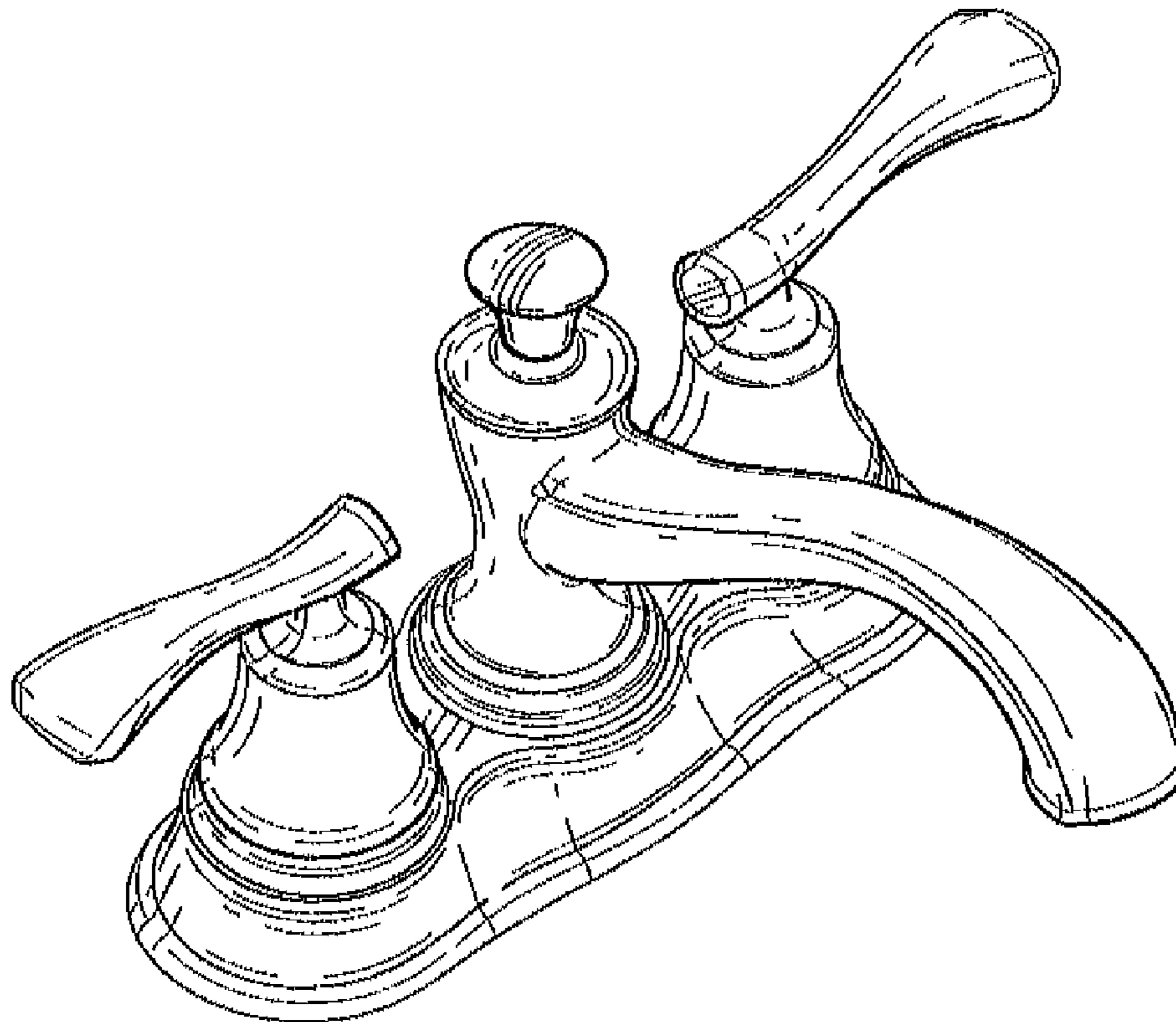
(57) **CLAIM**

The ornamental design for a faucet, as shown and described.

**DESCRIPTION**

FIG. 1 is a perspective view of a faucet showing my new design;  
FIG. 2 is a top plan view thereof;  
FIG. 3 is a front elevational view thereof;  
FIG. 4 is a right side view thereof, the opposite side being a mirror image of the side shown; and,  
FIG. 5 is a bottom view thereof.

**1 Claim, 2 Drawing Sheets**



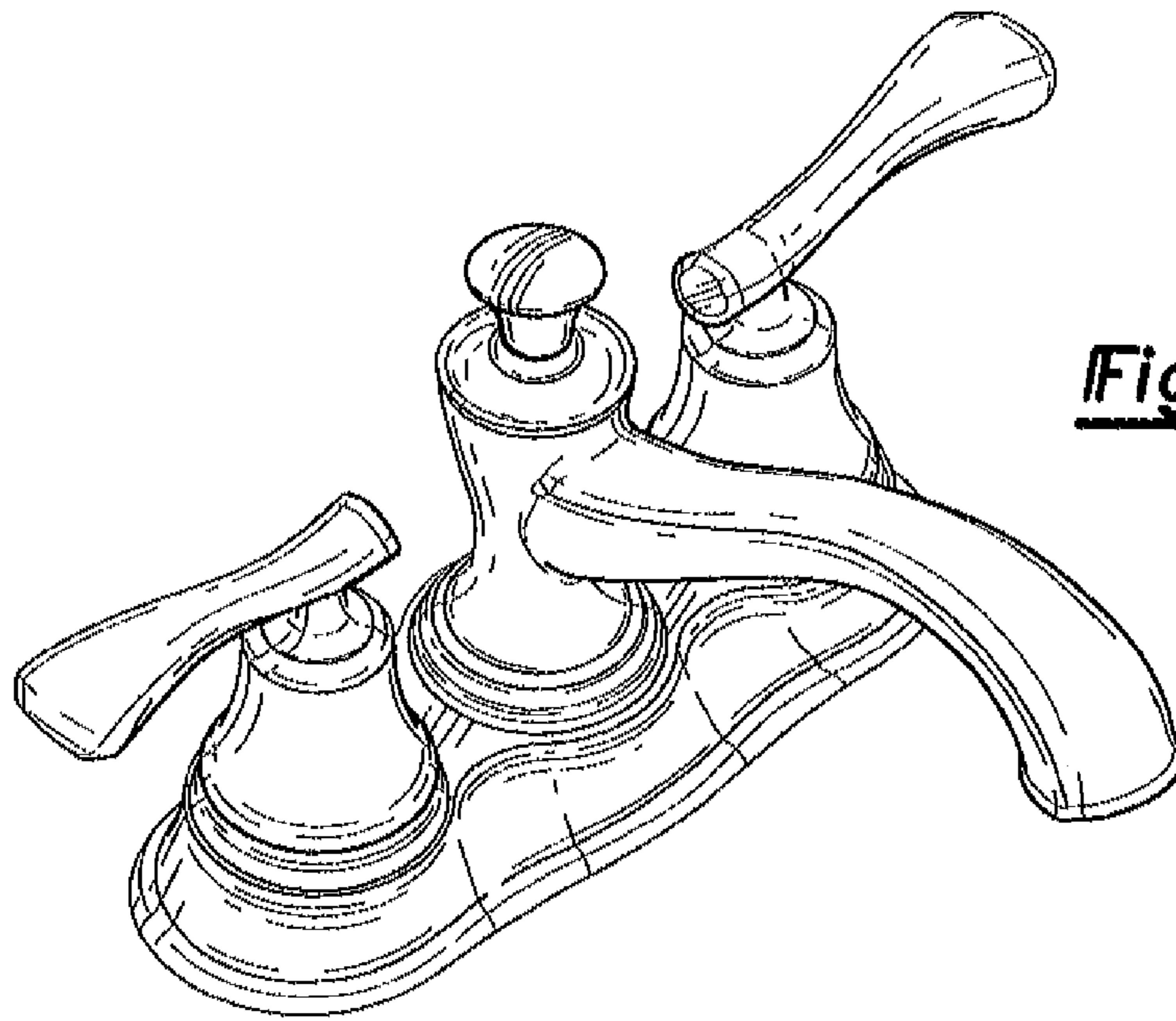


Fig-1

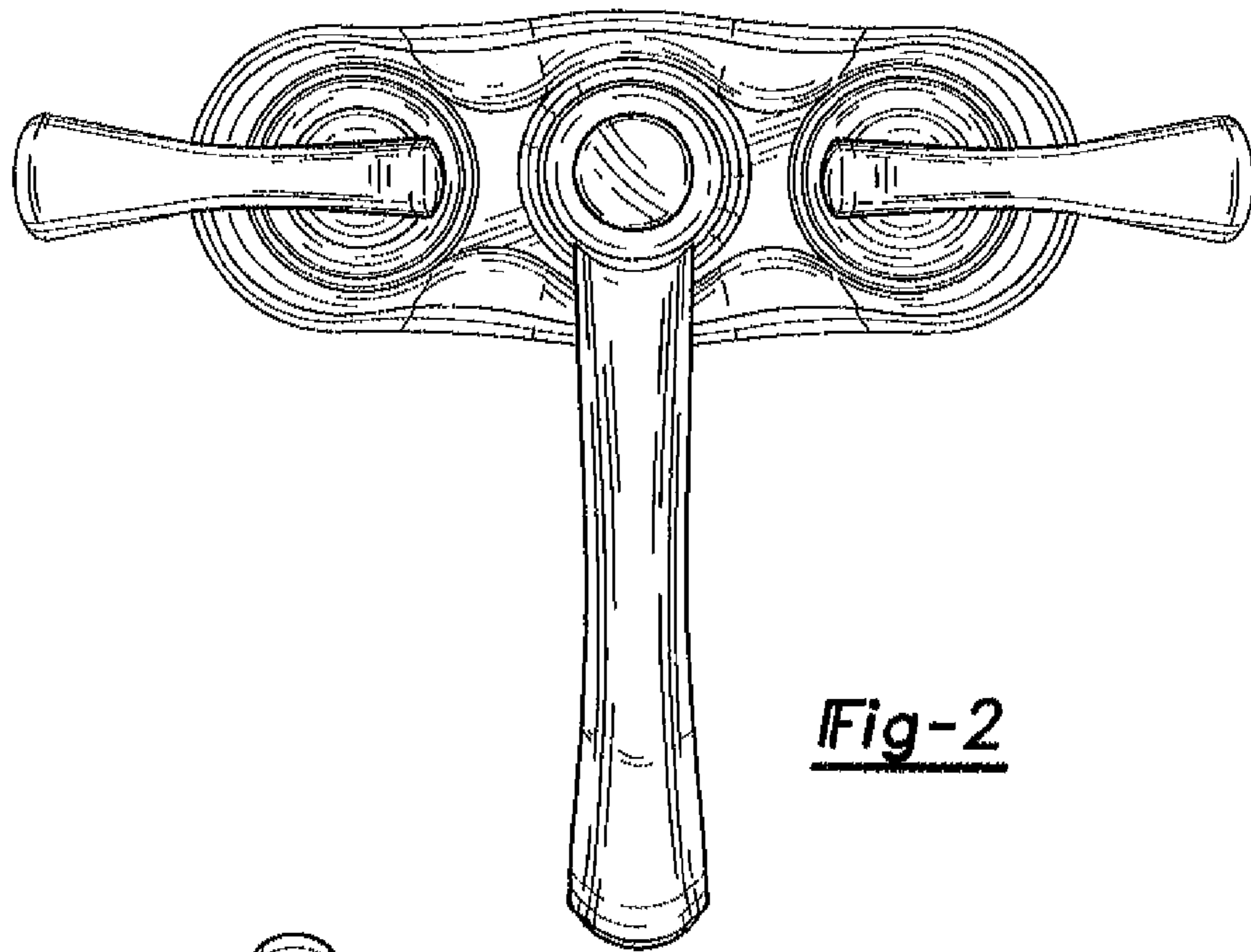


Fig-2

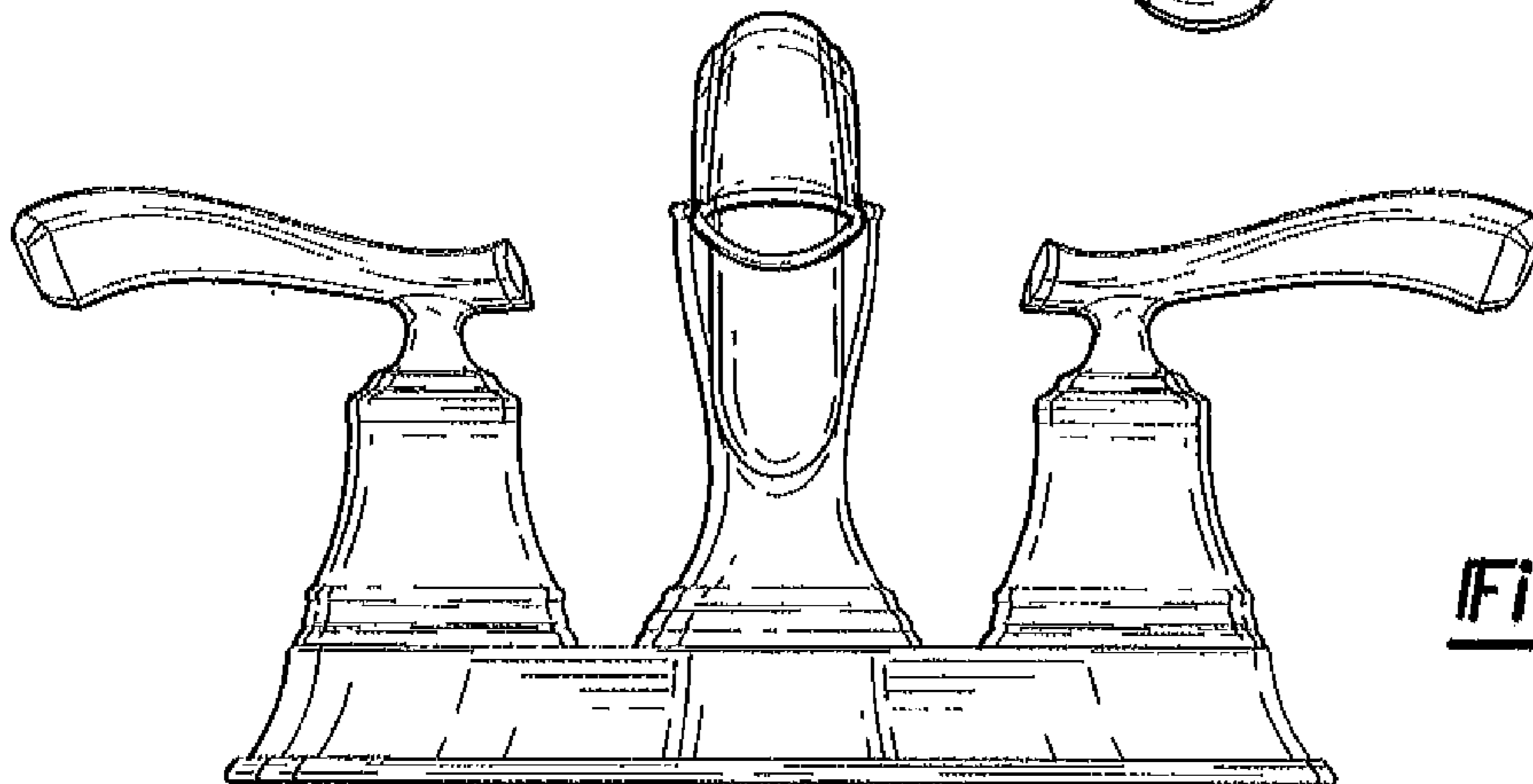


Fig-3

