

US00D667087S

(12) **United States Design Patent**  
**Shieh**

(10) **Patent No.:** **US D667,087 S**

(45) **Date of Patent:** **\*\* Sep. 11, 2012**

(54) **FAUCET**

(75) Inventor: **Ming-Dang Shieh**, Chang Hua Hsien (TW)

(73) Assignee: **Hong Lai Industrial Co., Ltd.**, Chang Hua Hsien (TW)

(\*\*) Term: **14 Years**

(21) Appl. No.: **29/402,253**

(22) Filed: **Sep. 22, 2011**

(51) **LOC (9) Cl.** ..... **23-01**

(52) **U.S. Cl.** ..... **D23/239**

(58) **Field of Classification Search** ..... D23/238,  
D23/241-243, 250, 252, 255, 257; 4/675-678;  
137/801

See application file for complete search history.

(56) **References Cited**

**U.S. PATENT DOCUMENTS**

D339,848 S *	9/1993	Gottwald	.....	D23/241
D443,916 S *	6/2001	Mullenmeister	.....	D23/238
D566,235 S *	4/2008	Heck et al.	.....	D23/238
D585,113 S *	1/2009	Friedrich	.....	D23/241

\* cited by examiner

*Primary Examiner* — Robert Delehanty

(74) *Attorney, Agent, or Firm* — Alan Kamrath; Kamrath IP Lawfirm, PA

(57) **CLAIM**

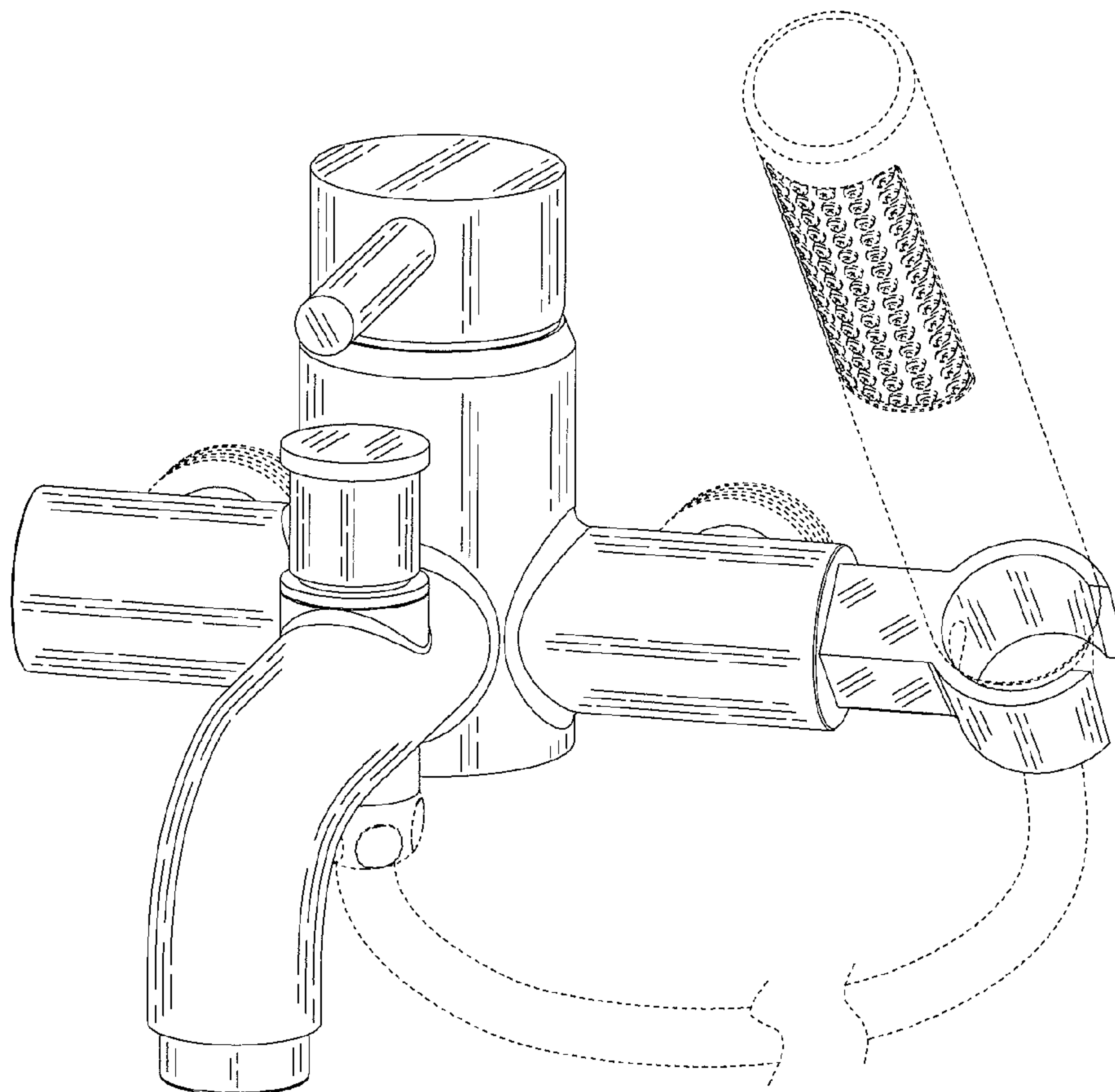
The ornamental design for a faucet, as shown and described.

**DESCRIPTION**

FIG. 1 is a perspective view of a faucet showing my design; FIG. 2 is a front elevational view thereof; FIG. 3 is a rear elevational view thereof; FIG. 4 is a left side elevational view thereof; FIG. 5 is a right side elevational view thereof; FIG. 6 is a top plan view thereof; FIG. 7 is a bottom plan view thereof; and, FIG. 8 is another perspective view of an embodiment thereof, with the broken-line disclosure of shower head being for illustrative purposes only and forming no part of the claimed design.

The broken line showing of the faucet is for illustrative purposes only and forms no part of the claimed design.

**1 Claim, 8 Drawing Sheets**



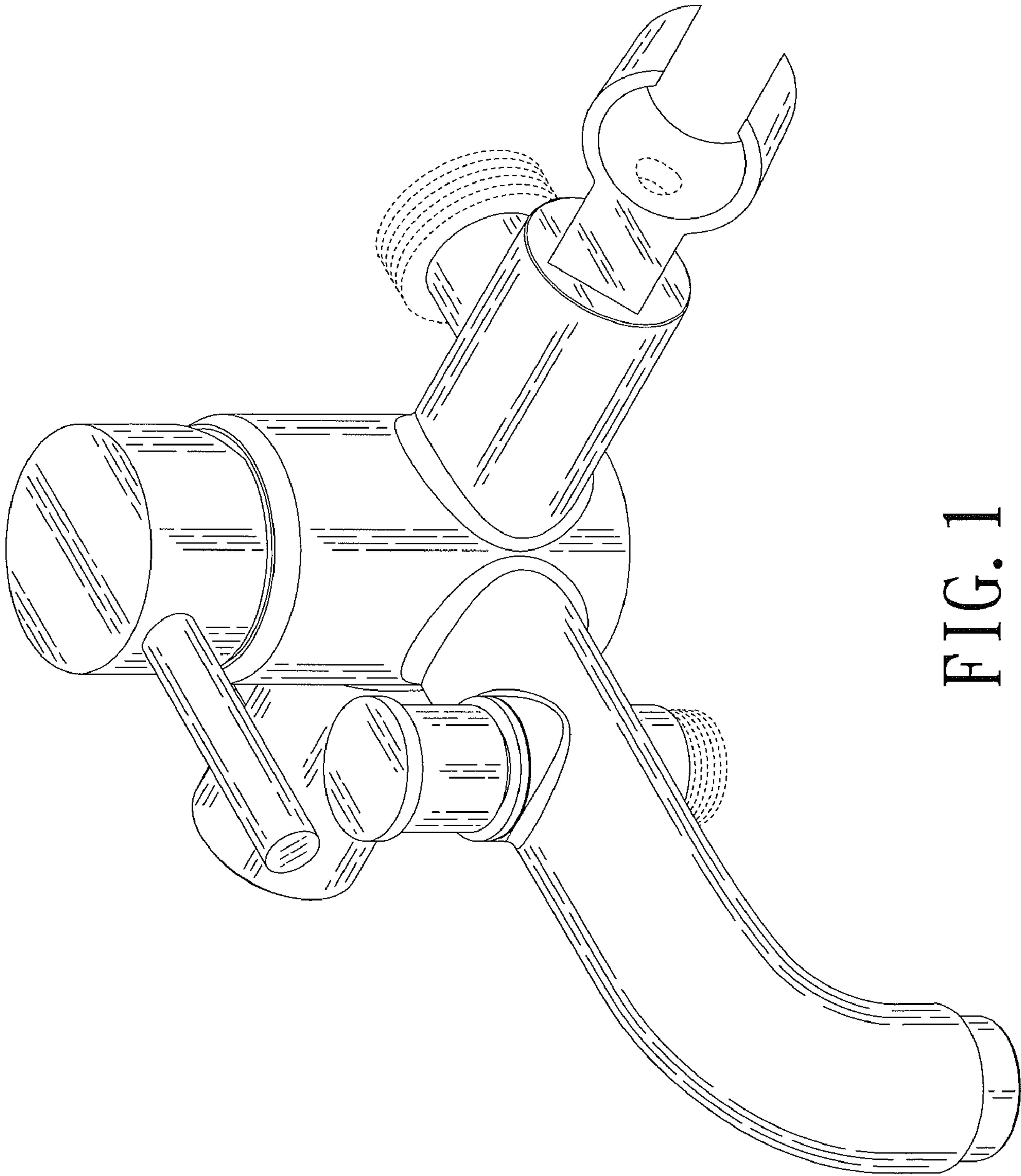


FIG. 1

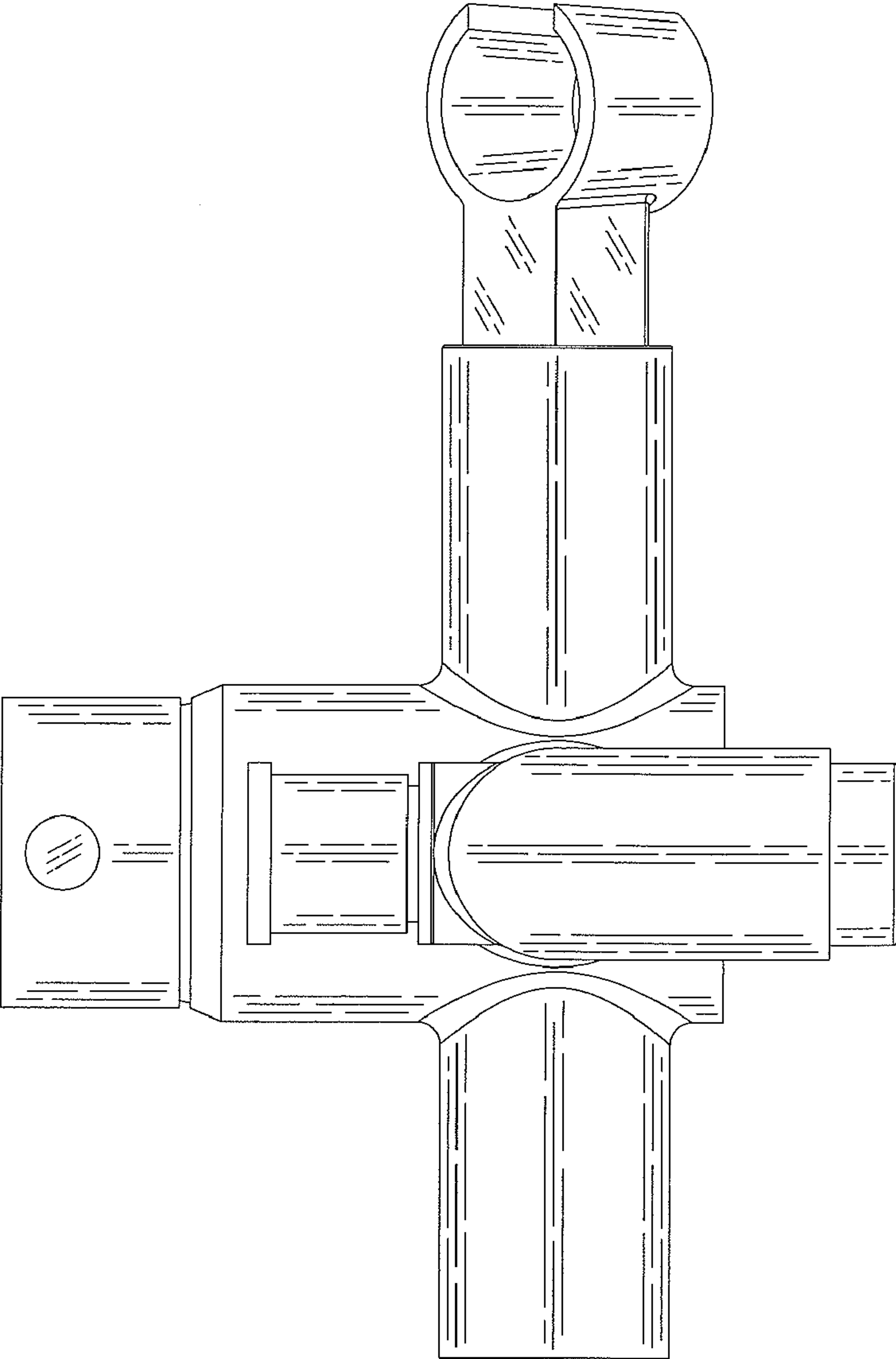


FIG. 2

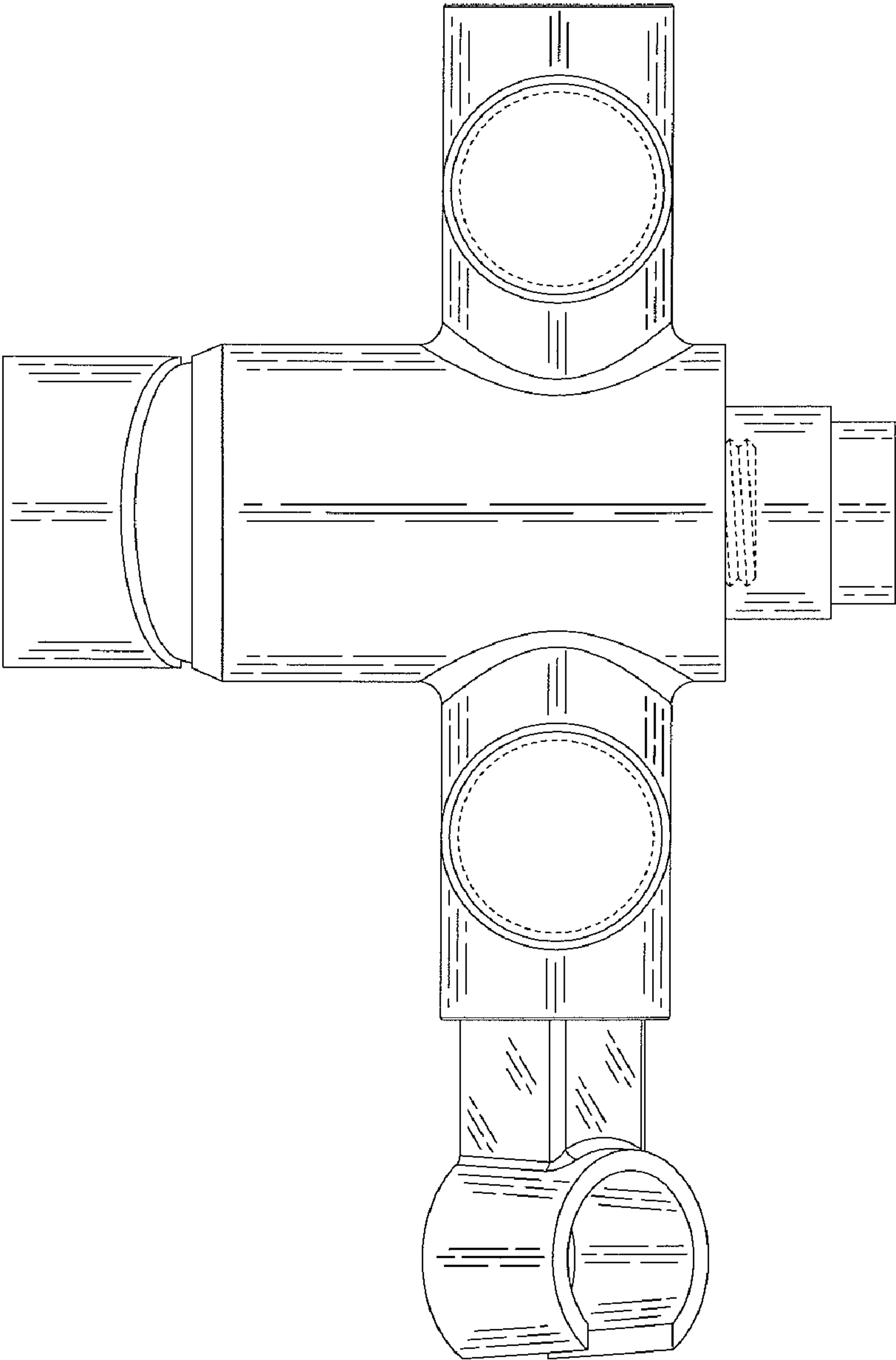


FIG. 3

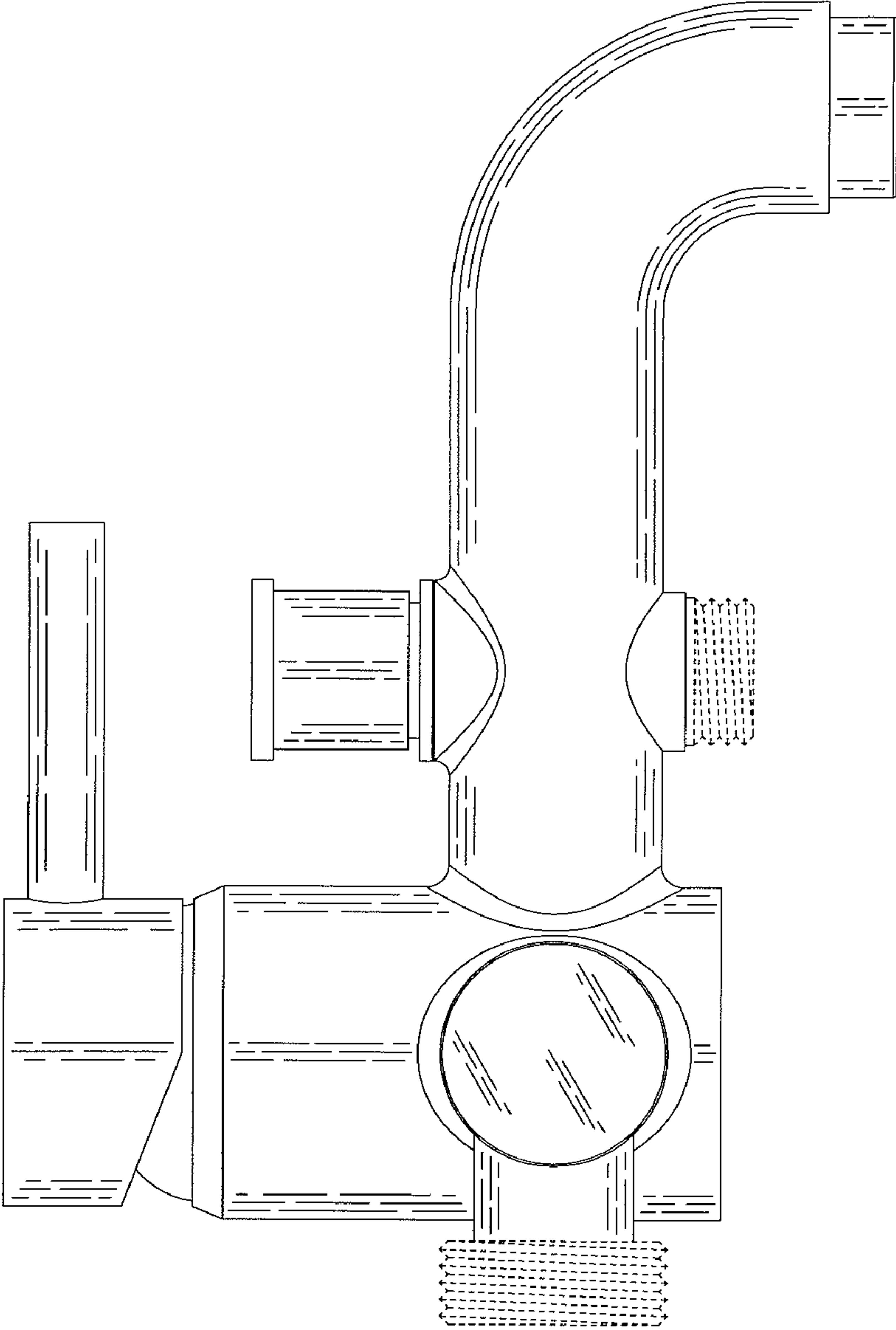


FIG. 4

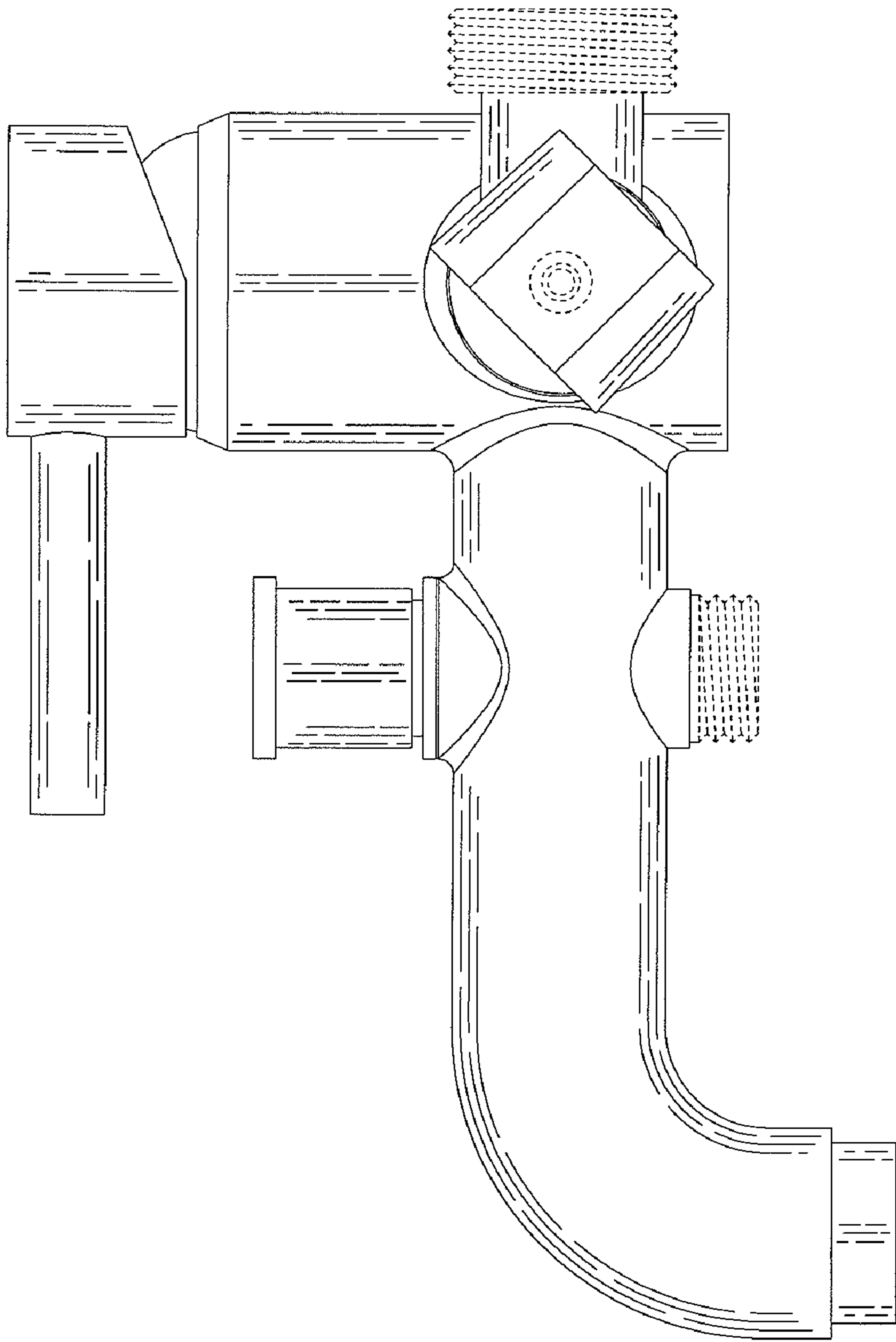


FIG. 5



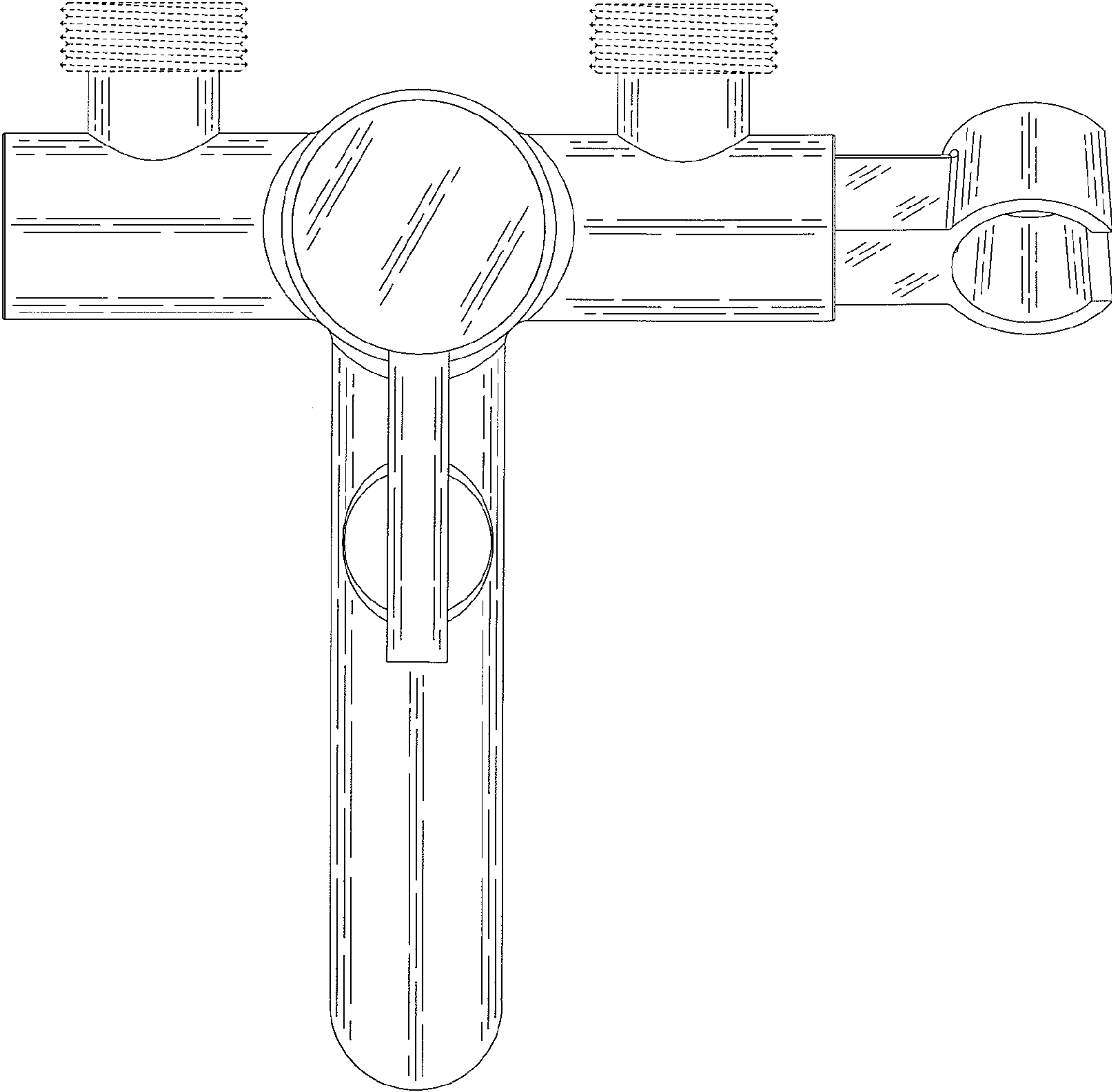


FIG. 6

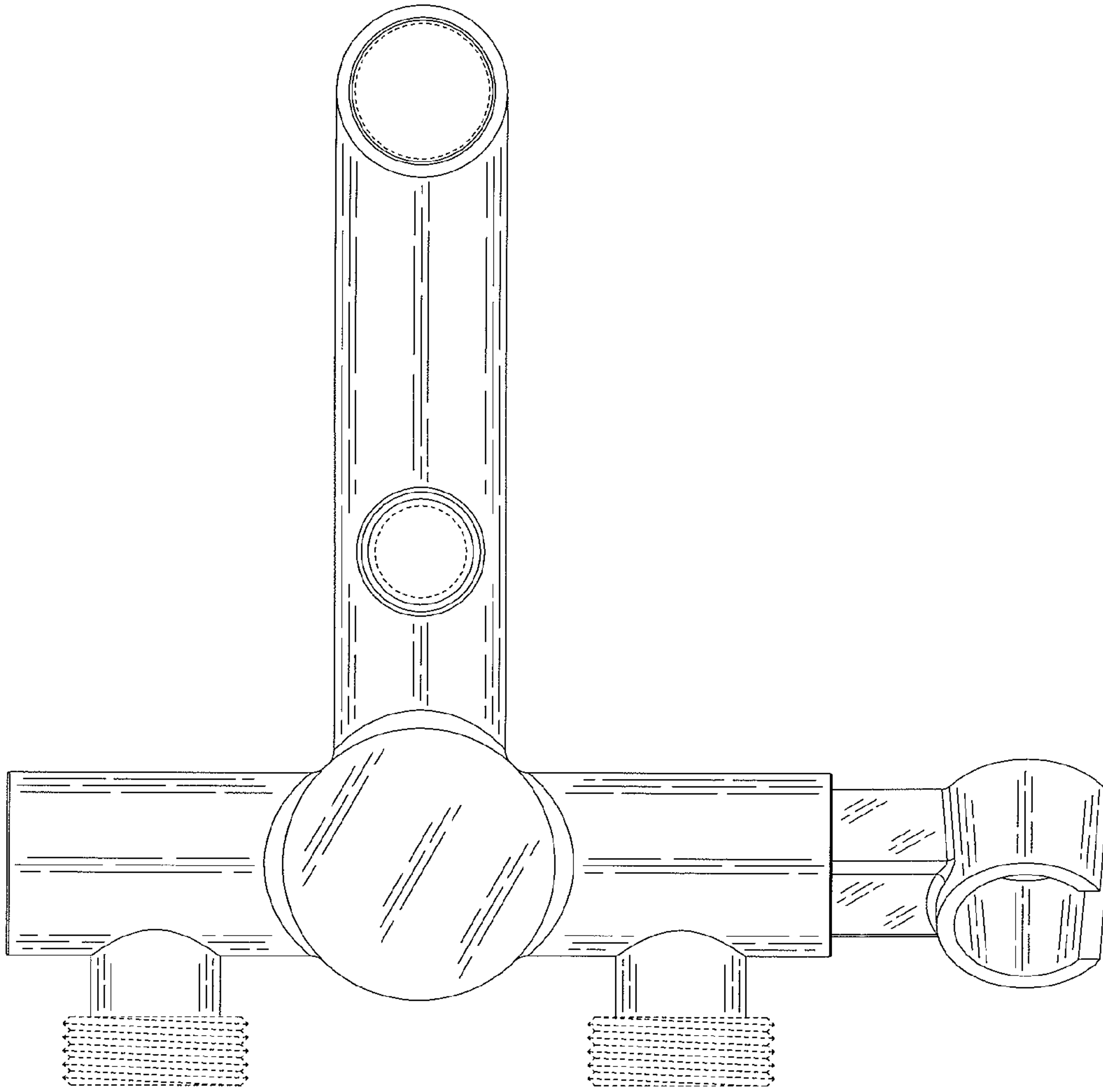


FIG. 7



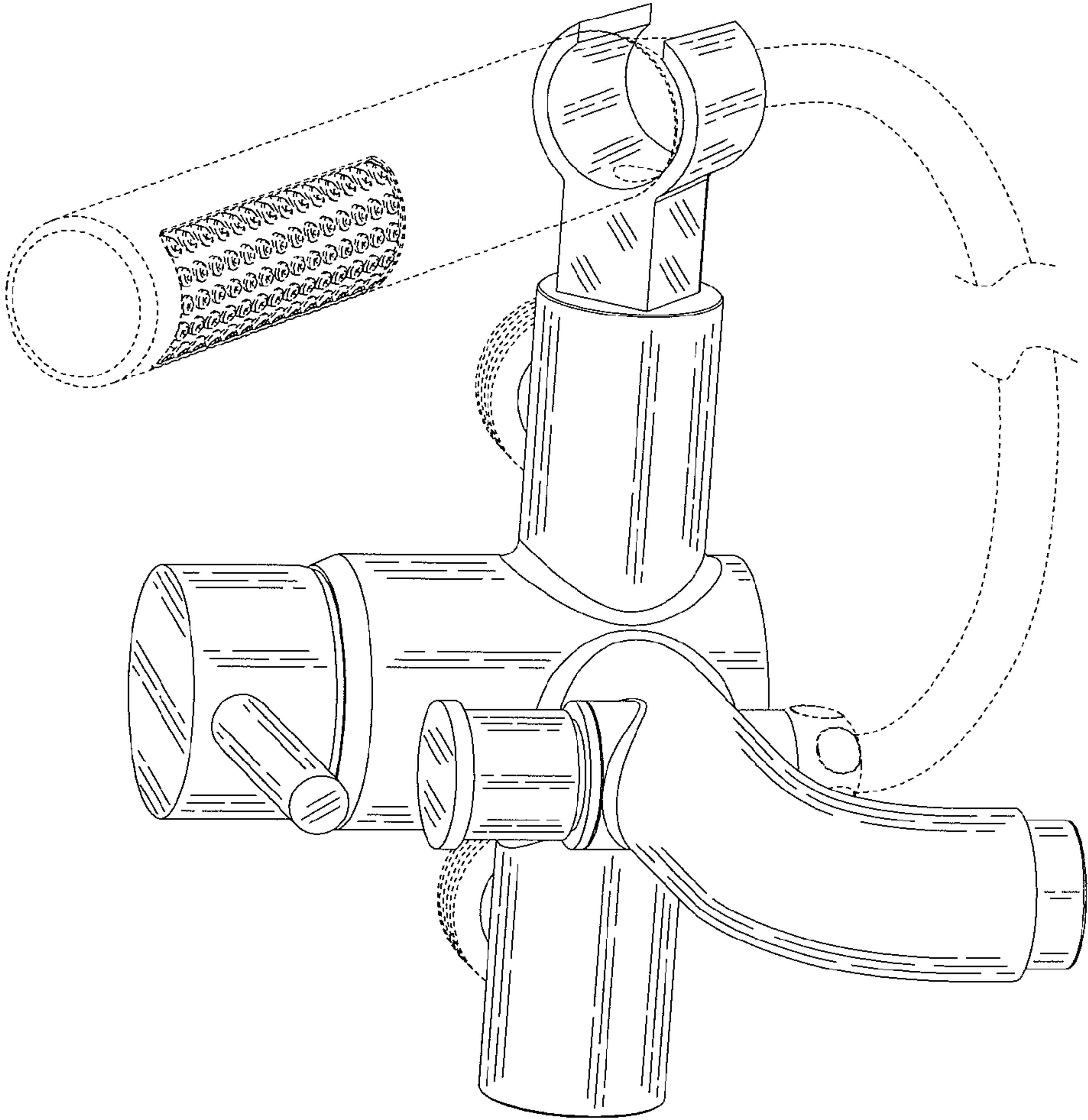


FIG. 8