



US00D667085S

(12) **United States Design Patent**
Shieh

(10) **Patent No.:** **US D667,085 S**

(45) **Date of Patent:** **** Sep. 11, 2012**

(54) **FAUCET**

(75) **Inventor:** **Ming-Dang Shieh**, Chang Hua Hsien
(TW)

(73) **Assignee:** **Horng Lai Industrial Co., Ltd.**, Chang
Hua Hsien (TW)

(**) **Term:** **14 Years**

(21) **Appl. No.:** **29/402,344**

(22) **Filed:** **Sep. 22, 2011**

(51) **LOC (9) Cl.** **23-01**

(52) **U.S. Cl.** **D23/238**

(58) **Field of Classification Search** D23/238,
D23/241-243, 250, 252, 255, 257; 4/675-678;
137/801

See application file for complete search history.

(56) **References Cited**

U.S. PATENT DOCUMENTS

D458,666 S * 6/2002 Mark et al. D23/238
D521,110 S * 5/2006 Fritz et al. D23/241
D636,850 S * 4/2011 Shieh D23/238

* cited by examiner

Primary Examiner — Robert Delehanty

(74) *Attorney, Agent, or Firm* — Alan Kamrath; Kamrath IP
Lawfirm, PA

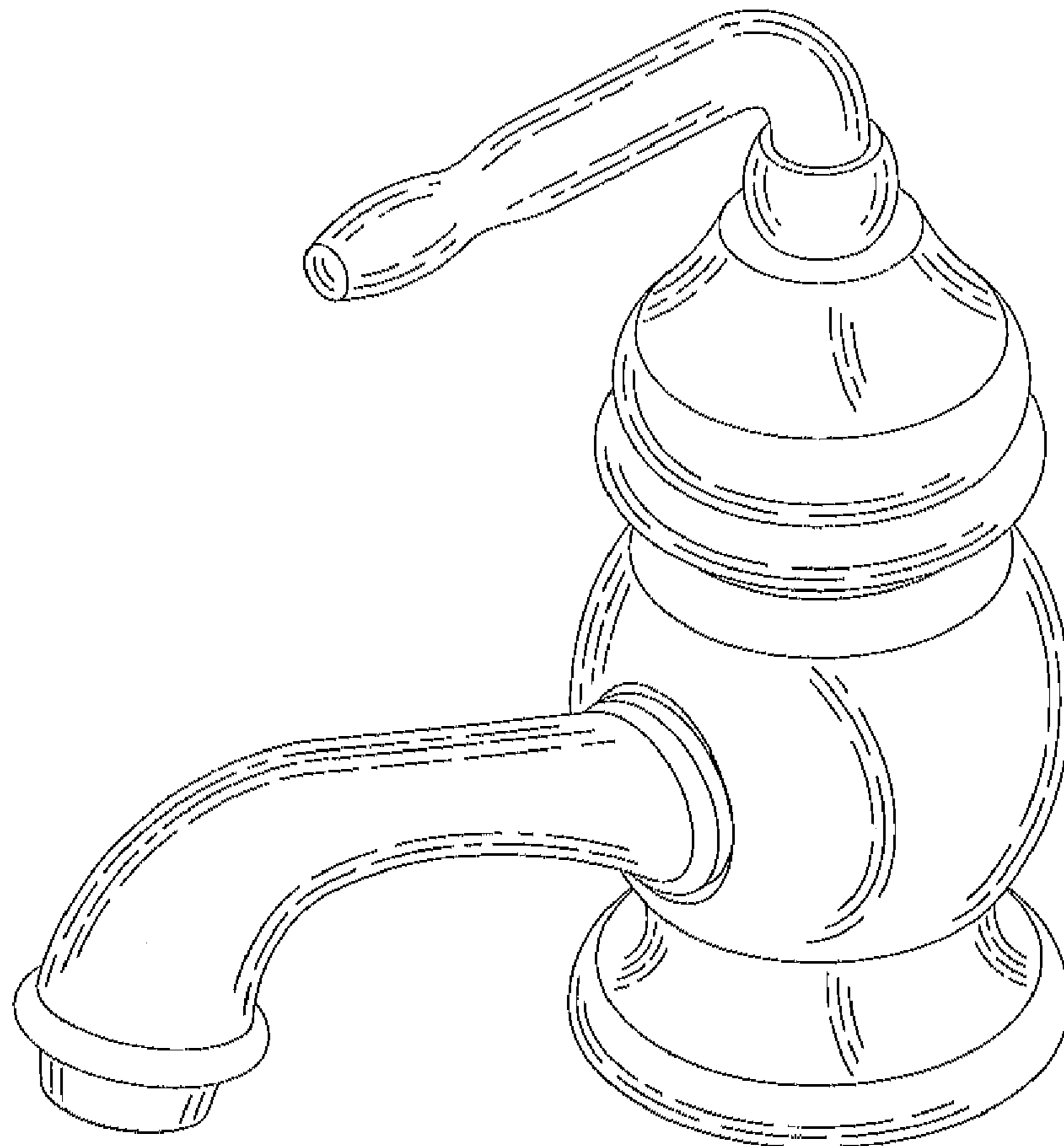
(57) **CLAIM**

The ornamental design for a faucet, as shown and described.

DESCRIPTION

FIG. 1 is a perspective view of a faucet showing my design;
FIG. 2 is a front elevational view thereof;
FIG. 3 is a rear elevational view thereof;
FIG. 4 is a left side elevational view thereof;
FIG. 5 is a right side elevational view thereof;
FIG. 6 is a top plan view thereof; and,
FIG. 7 is a bottom plan view thereof.
The broken line showing of the faucet is for illustrative pur-
poses only and forms no part of the claimed design.

1 Claim, 6 Drawing Sheets



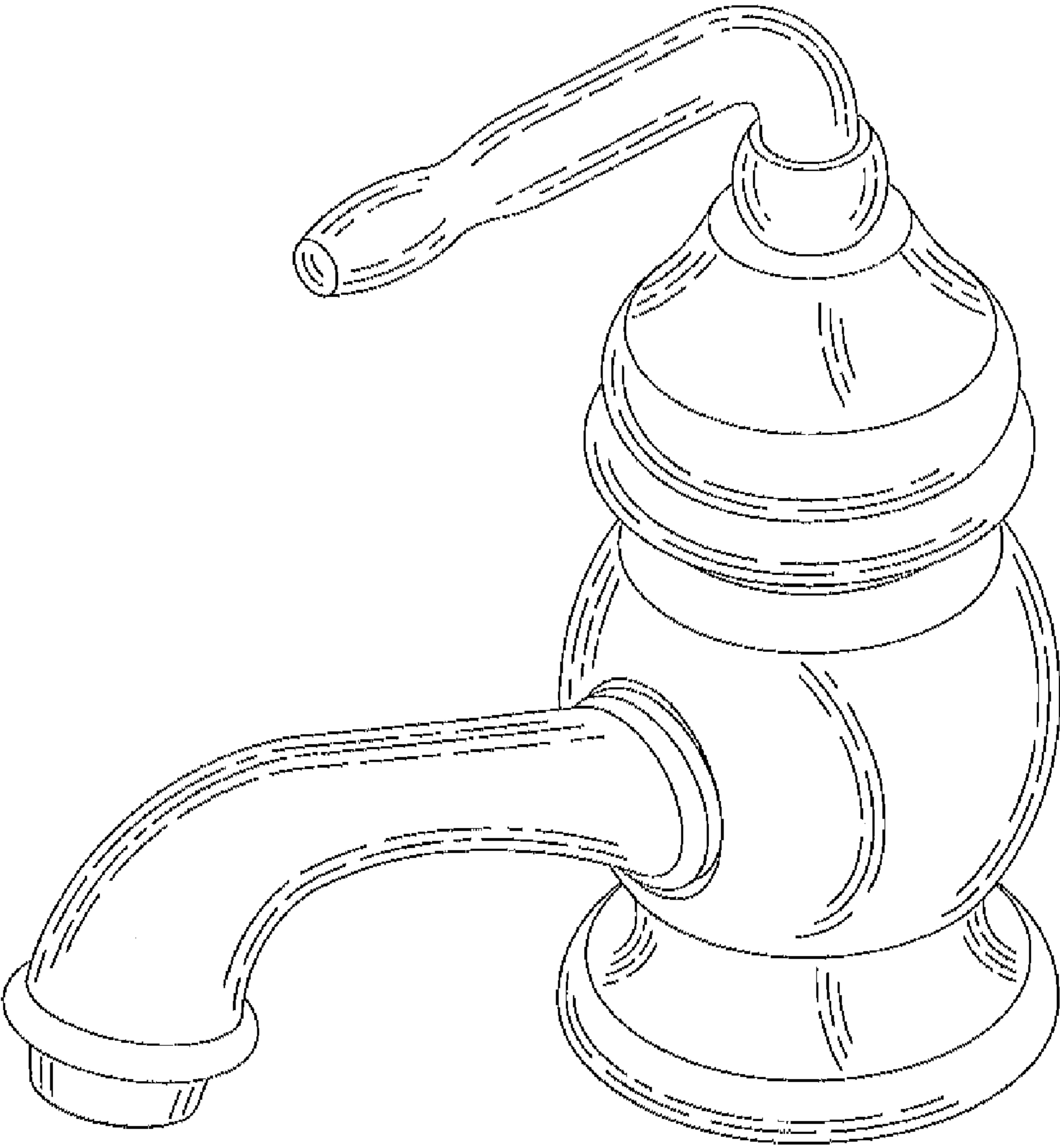


FIG. 1

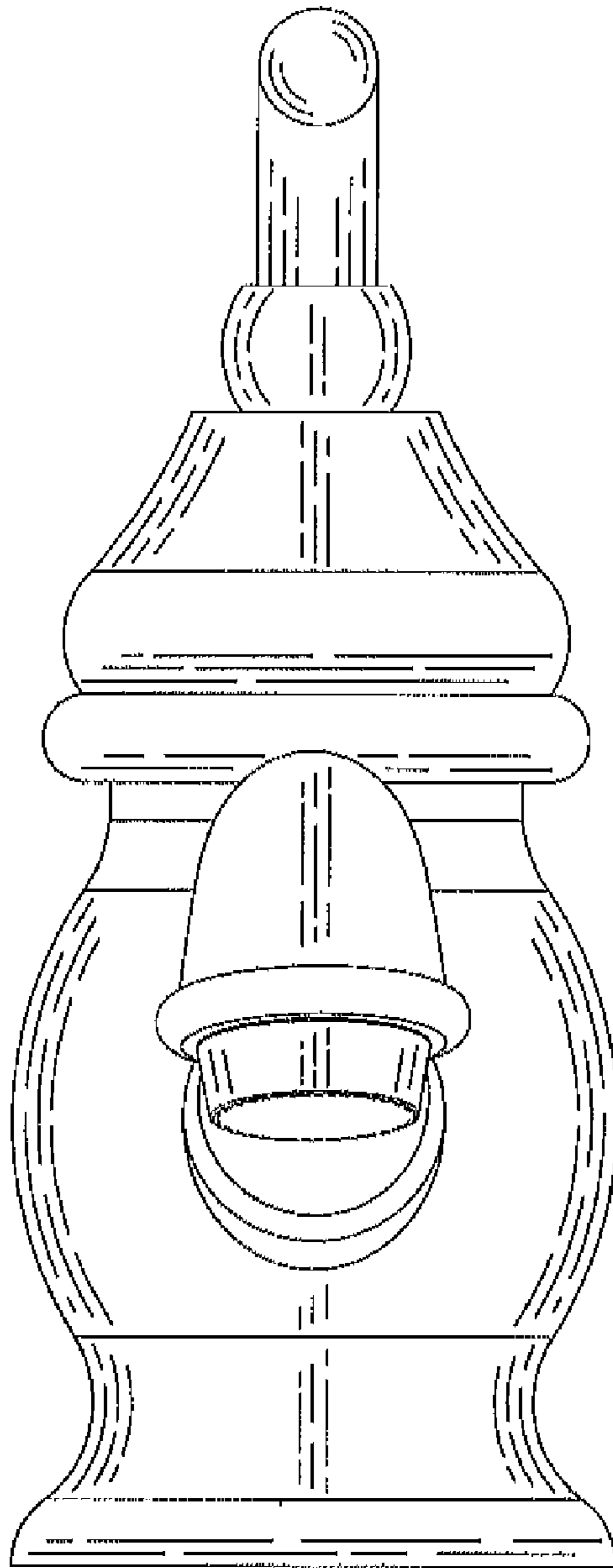


FIG. 2

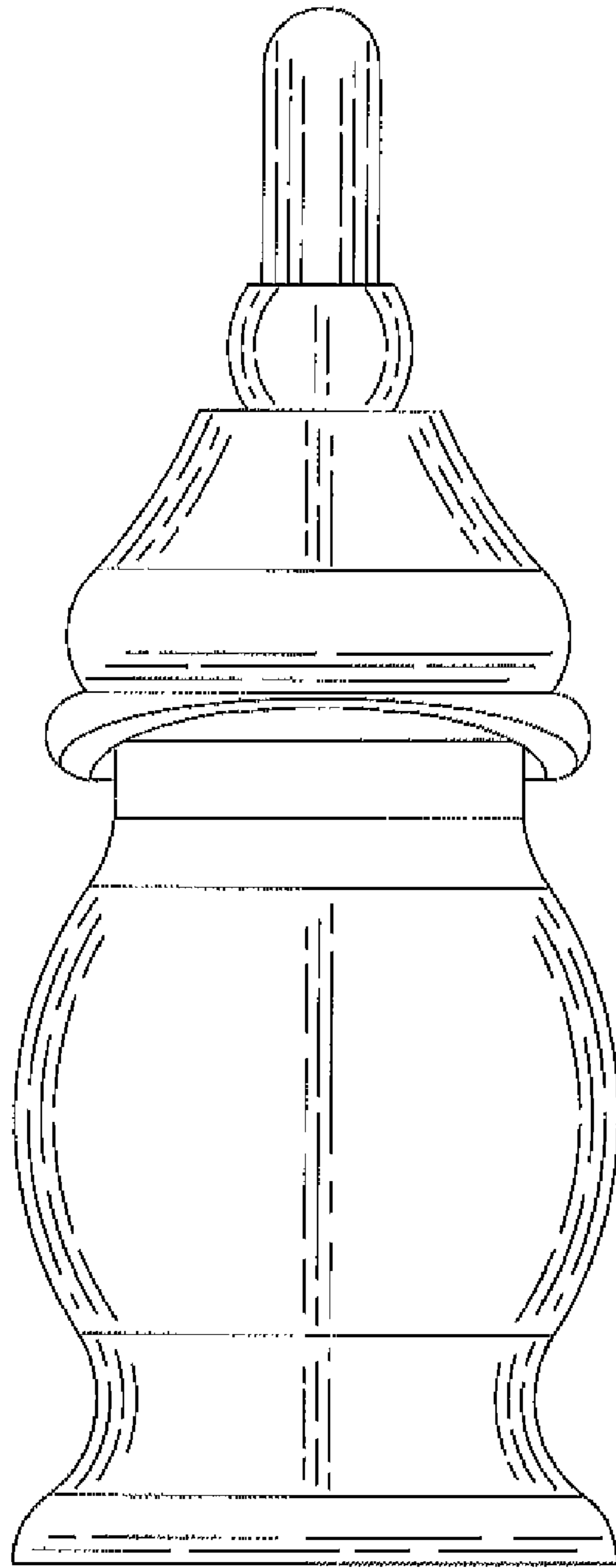


FIG. 3

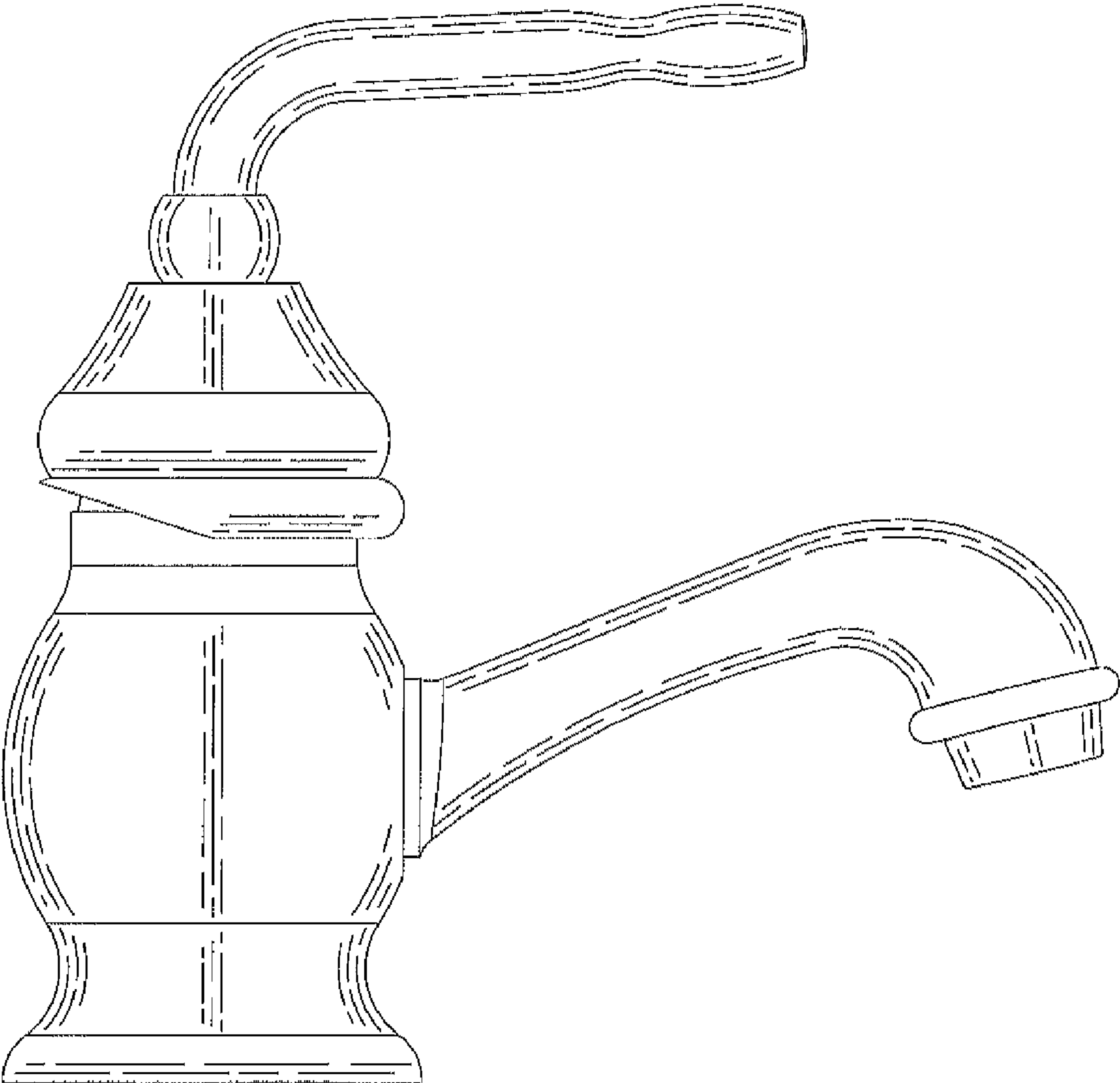


FIG. 4

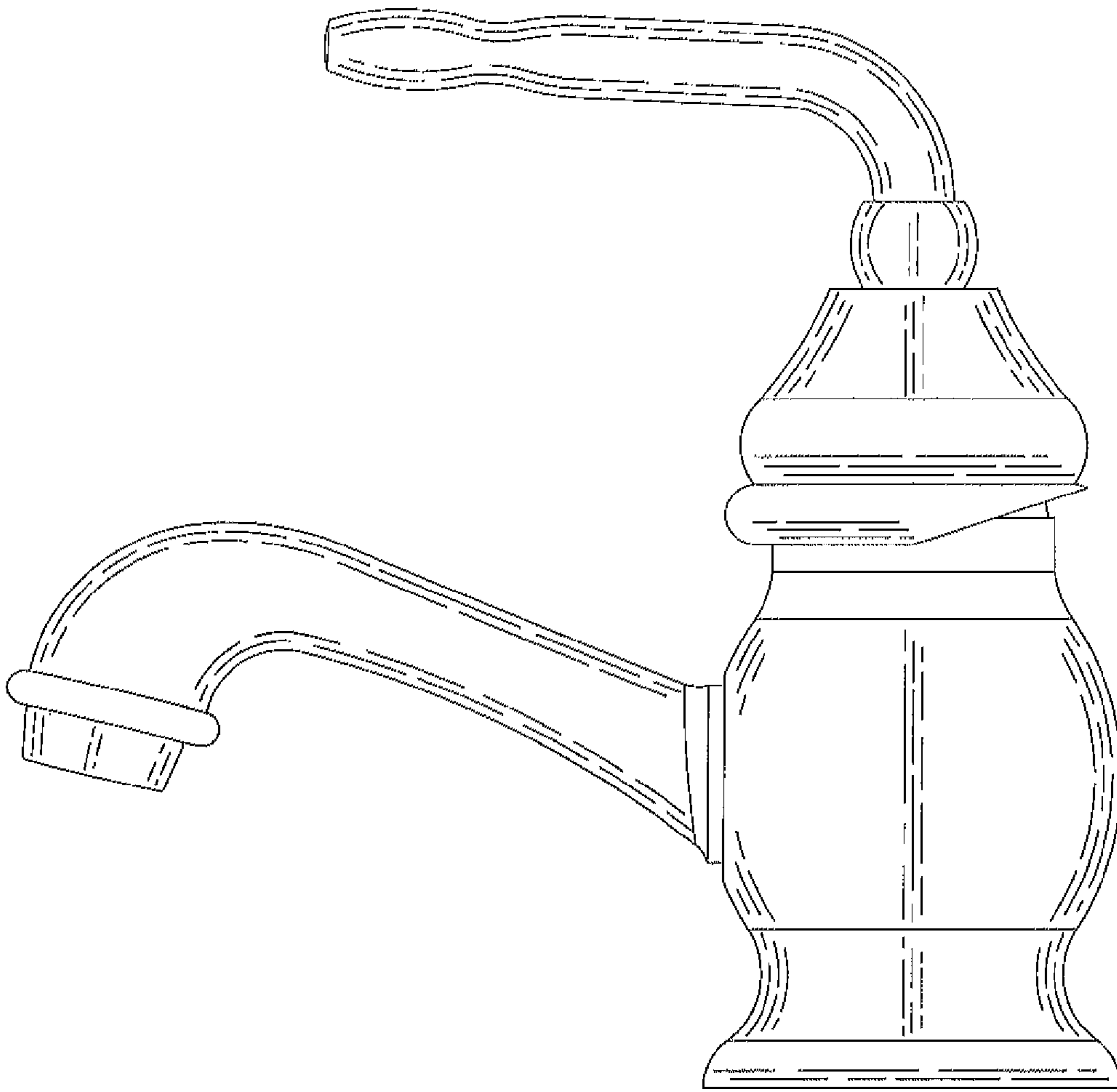


FIG. 5

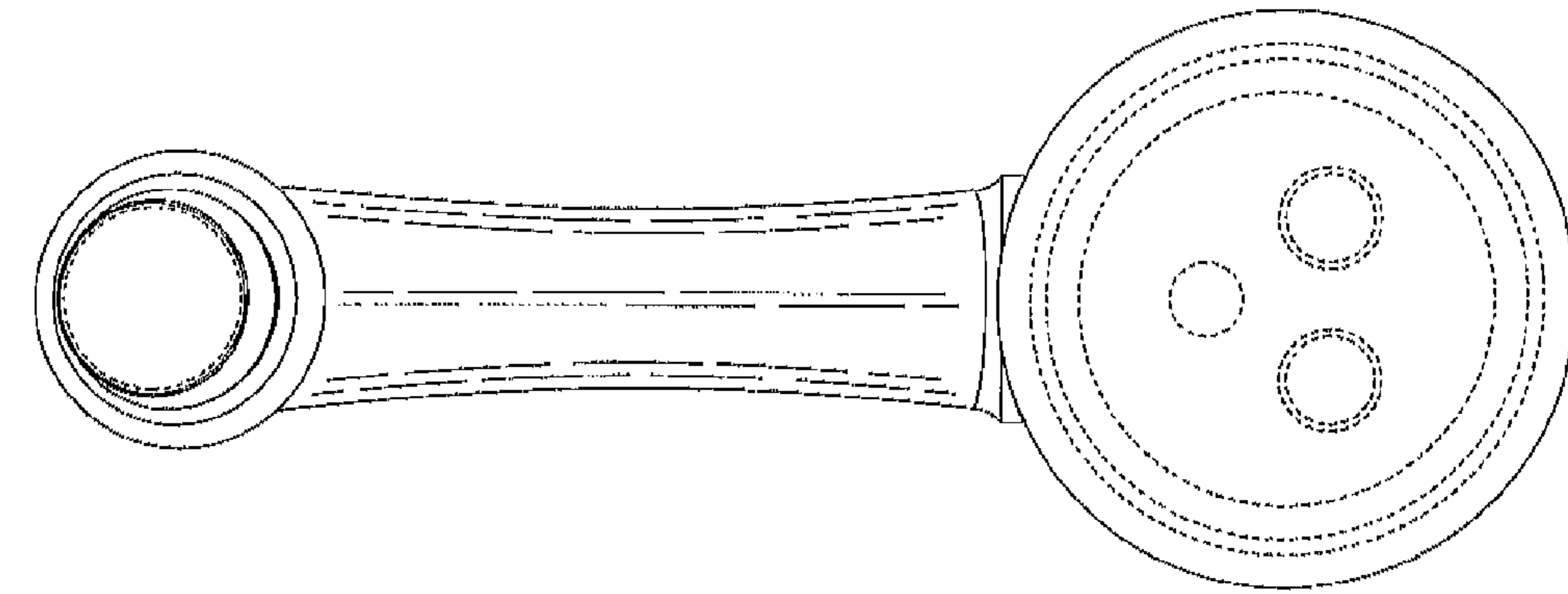


FIG. 7

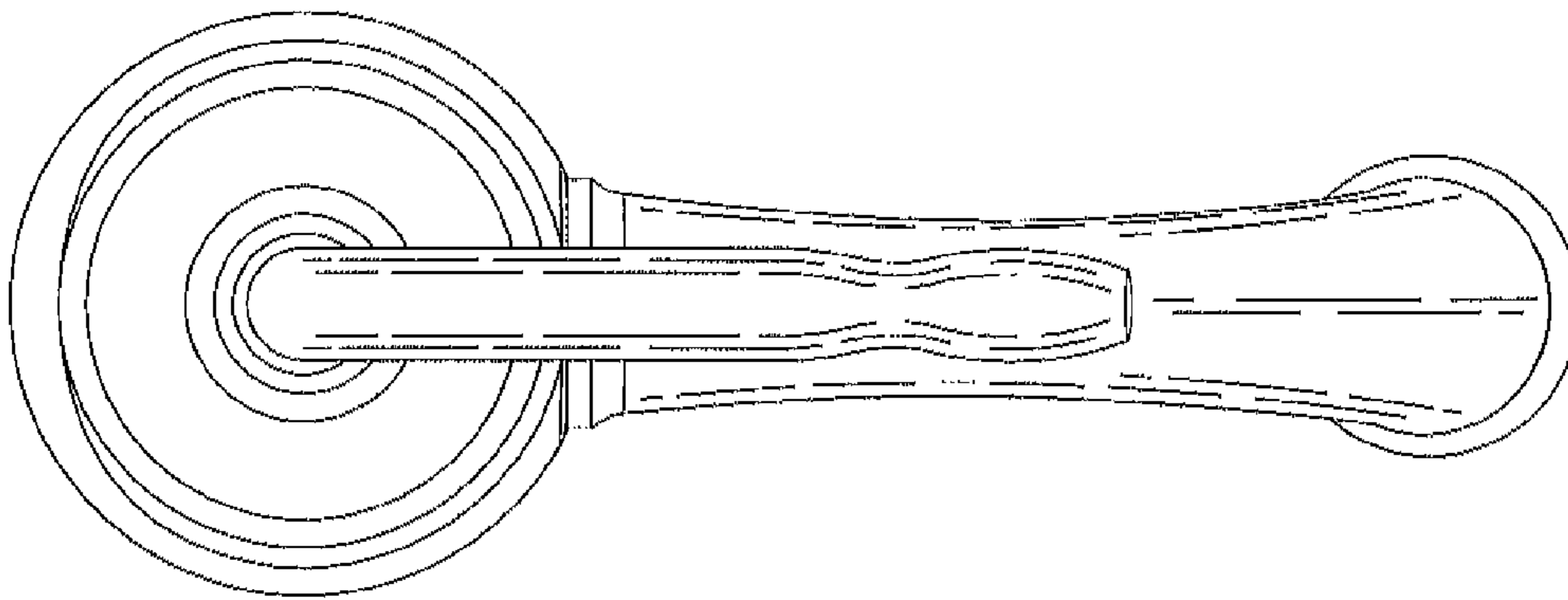


FIG. 6