

US00D667084S

(12) **United States Design Patent**
Berger et al.

(10) **Patent No.:** **US D667,084 S**

(45) **Date of Patent:** **** Sep. 11, 2012**

(54) **FAUCET**

(56) **References Cited**

(75) Inventors: **Ryan R. Berger**, Columbus, OH (US);
Diana W. Juratovac, Columbus, OH
(US); **Richard L. Lane**, Columbus, OH
(US); **Sun-Jan Alan Huang**, Columbus,
OH (US)

U.S. PATENT DOCUMENTS

D512,125 S *	11/2005	Kulig	D23/238
D556,863 S *	12/2007	Demmer et al.	D23/235
D621,478 S *	8/2010	Kulig	D23/242
D645,938 S *	9/2011	Ando et al.	D23/238
D657,026 S *	4/2012	Berger et al.	D23/255

* cited by examiner

Primary Examiner — Robert Delehanty

(73) Assignee: **Masco Corporation of Indiana**,
Indianapolis, IN (US)

(74) *Attorney, Agent, or Firm* — Edgar A. Zarins; Nirav D.
Parikh; Lora J. Graentzdoerffer

(**) Term: **14 Years**

(57) **CLAIM**

The ornamental design for a faucet, as shown and described.

DESCRIPTION

(21) Appl. No.: **29/397,593**

FIG. 1 is a perspective view of a faucet showing our new design;

(22) Filed: **Jul. 19, 2011**

FIG. 2 is a second perspective view thereof;

(51) **LOC (9) Cl.** **23-01**

FIG. 3 is a front elevational view thereof;

(52) **U.S. Cl.** **D23/238**

FIG. 4 is a rear view thereof;

(58) **Field of Classification Search** D23/238,

FIG. 5 is a top plan view thereof;

D23/241–243, 250, 252, 255, 257; 4/675–678;

FIG. 6 is a right side view thereof;

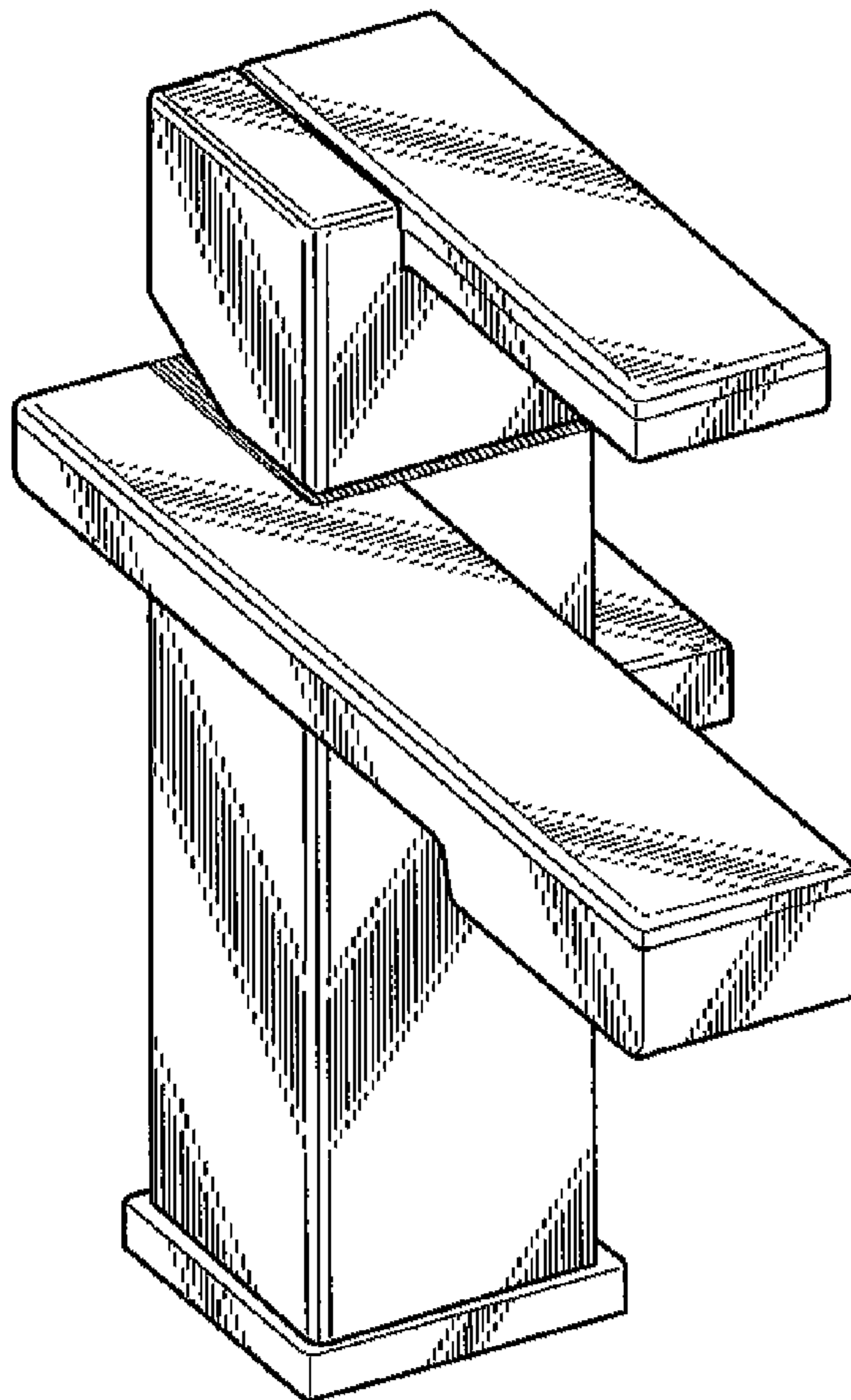
137/801

FIG. 7 is a left side view thereof; and,

FIG. 8 is a bottom view thereof.

See application file for complete search history.

1 Claim, 4 Drawing Sheets



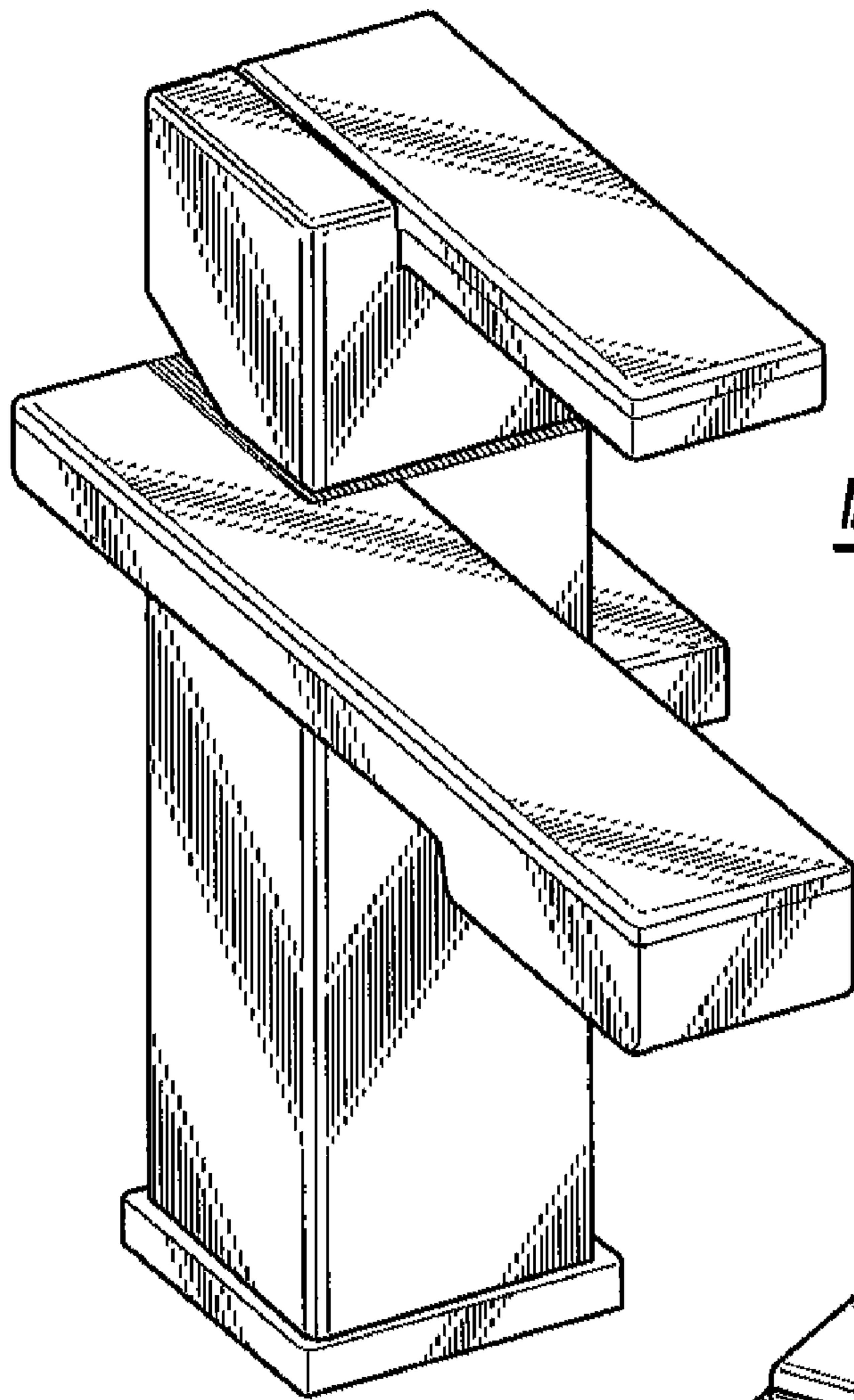


Fig-1

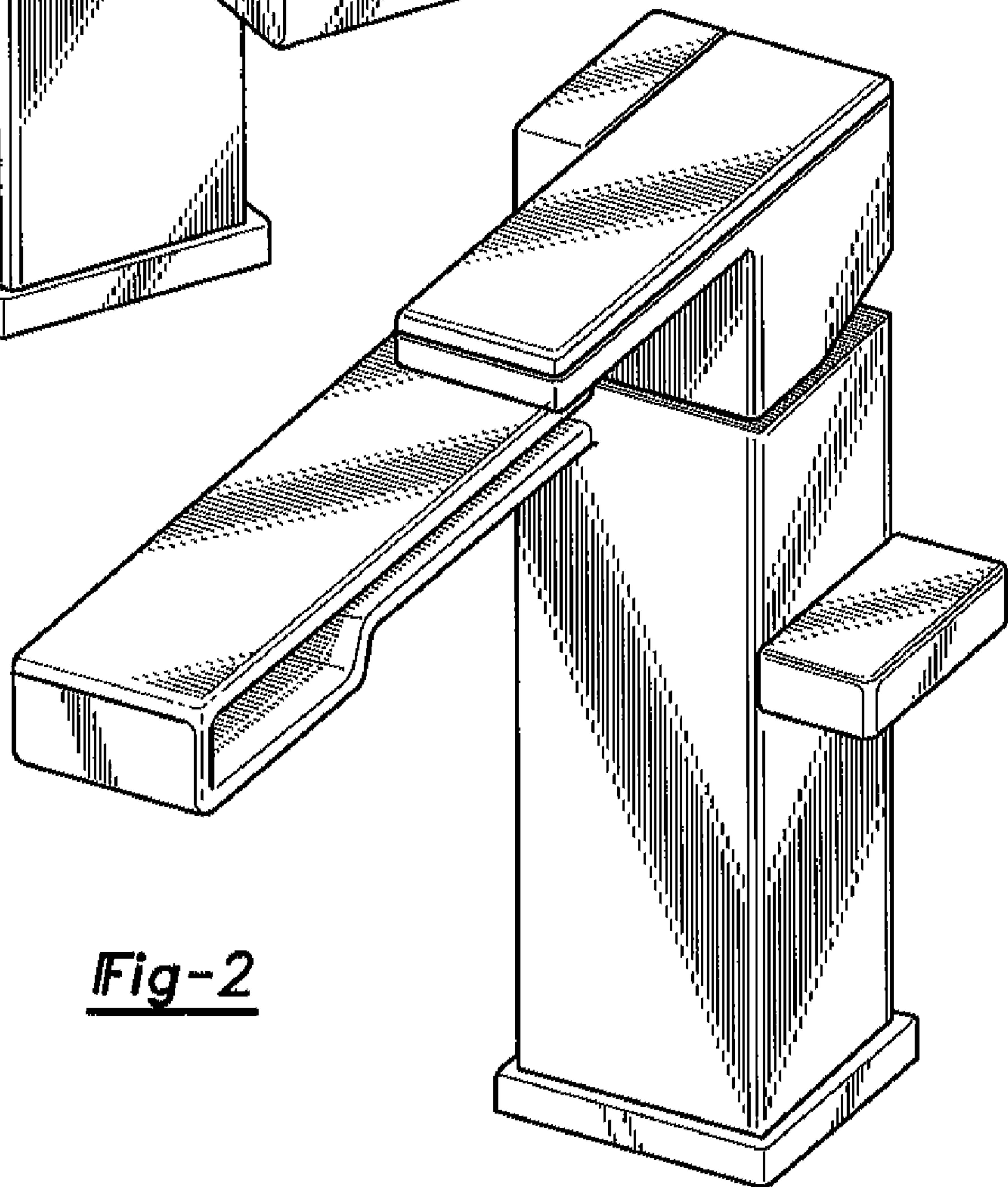


Fig-2

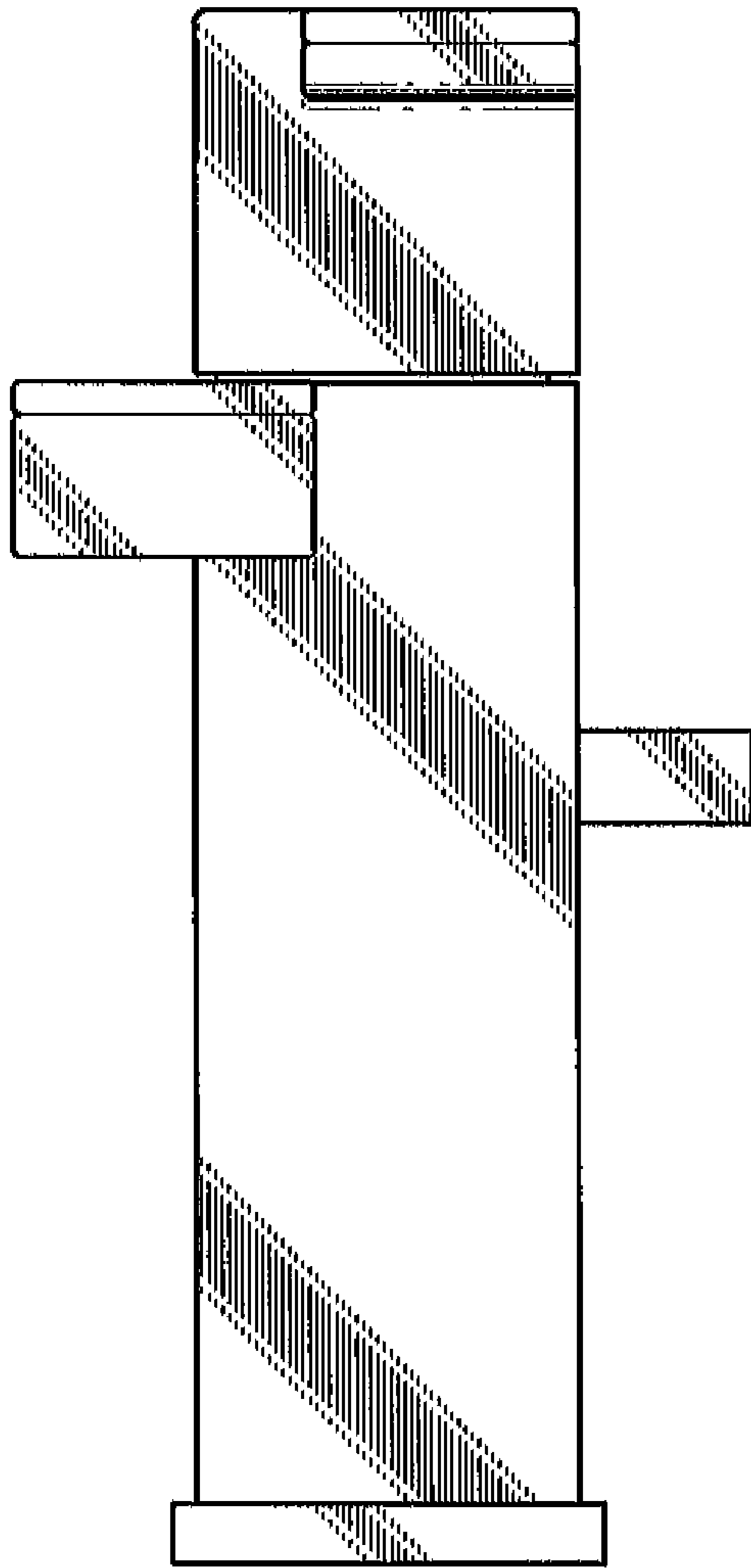


Fig-3

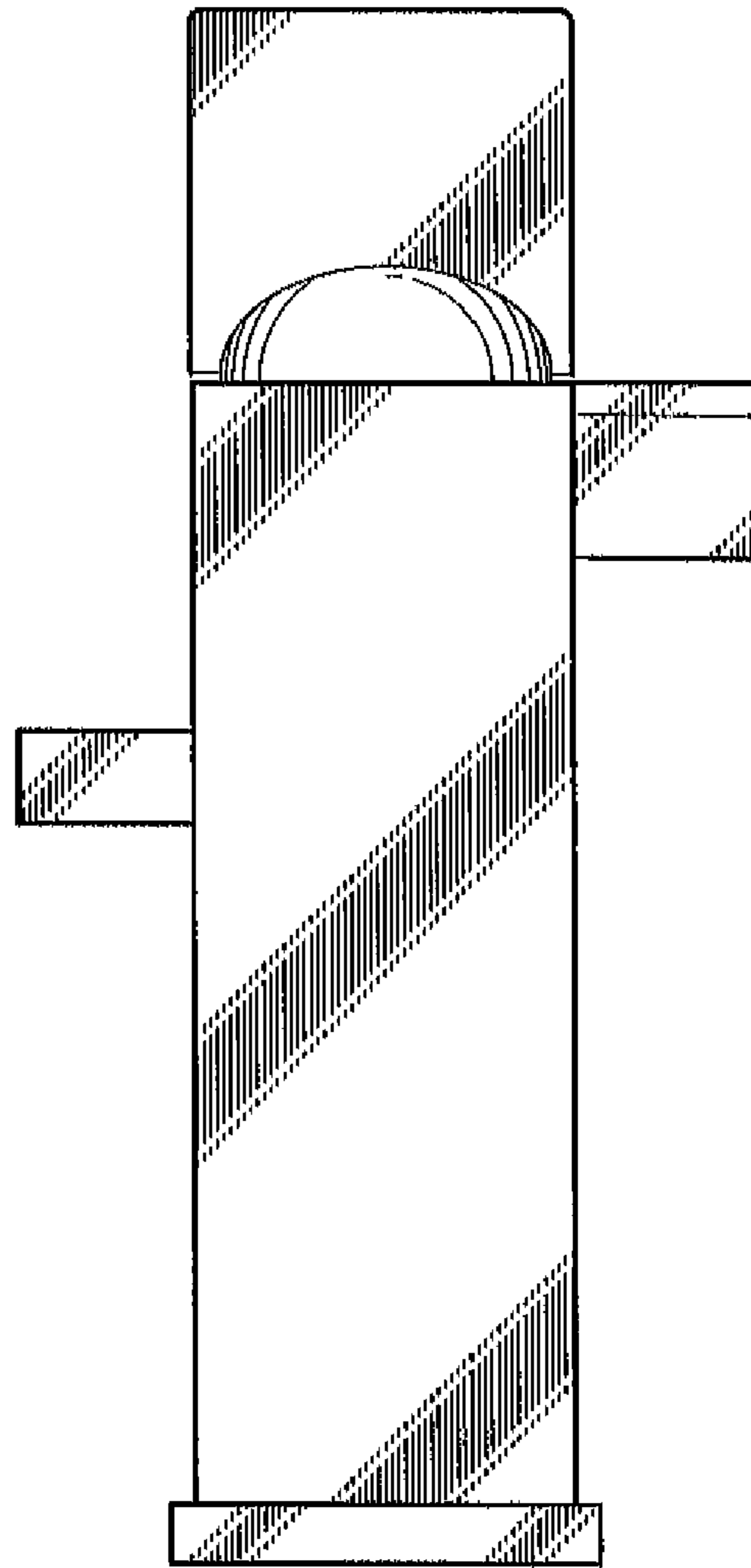
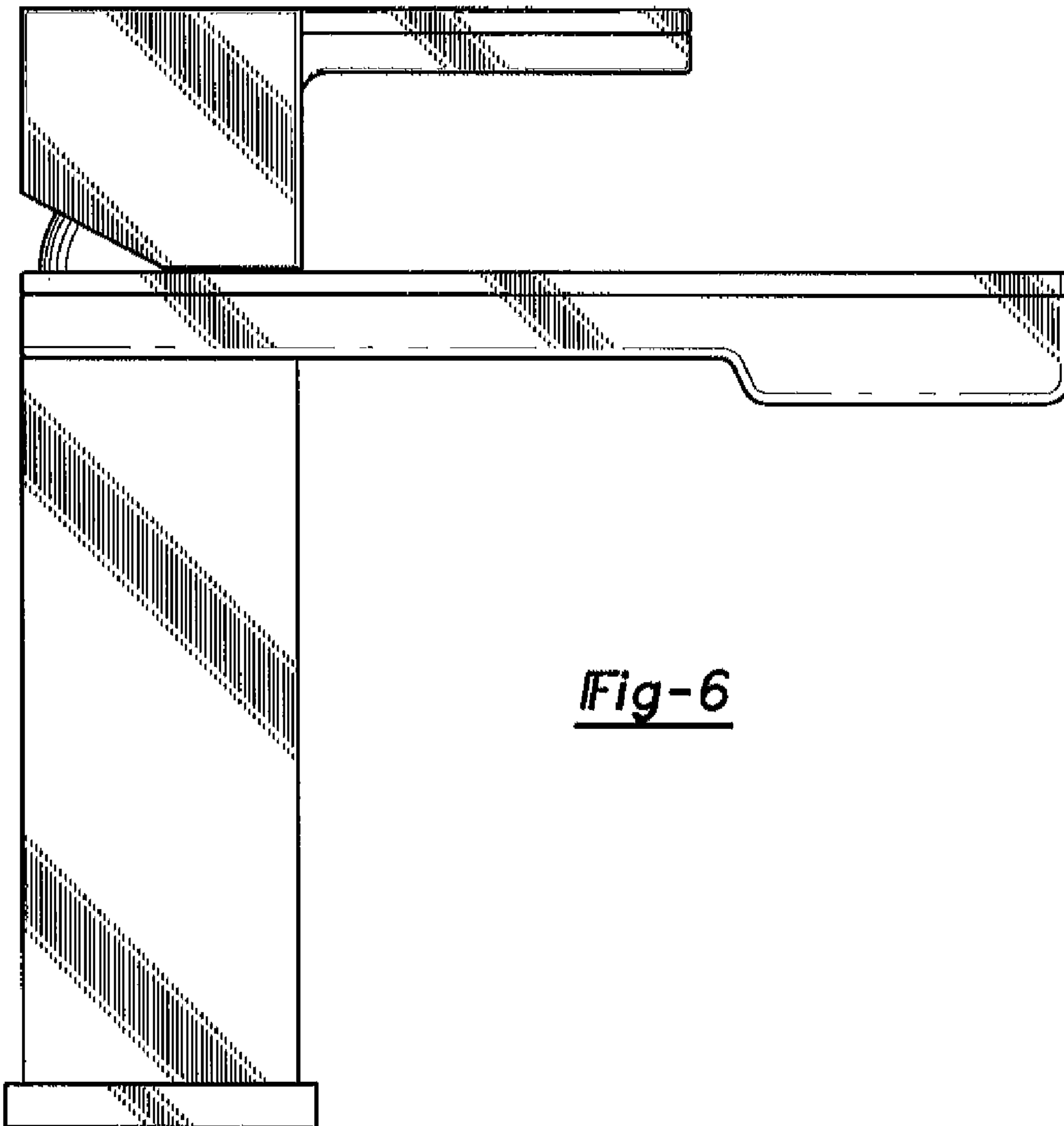
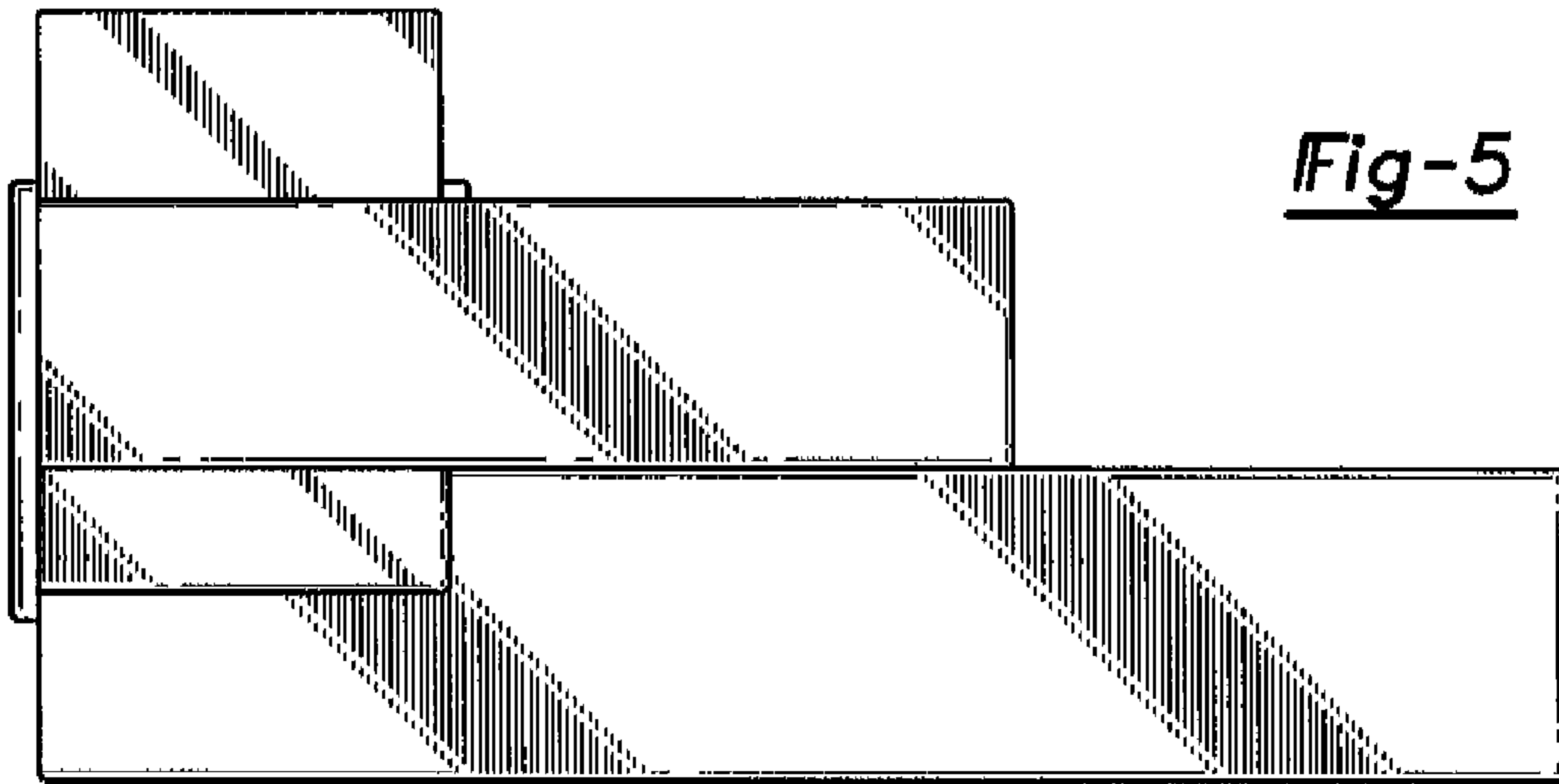


Fig-4



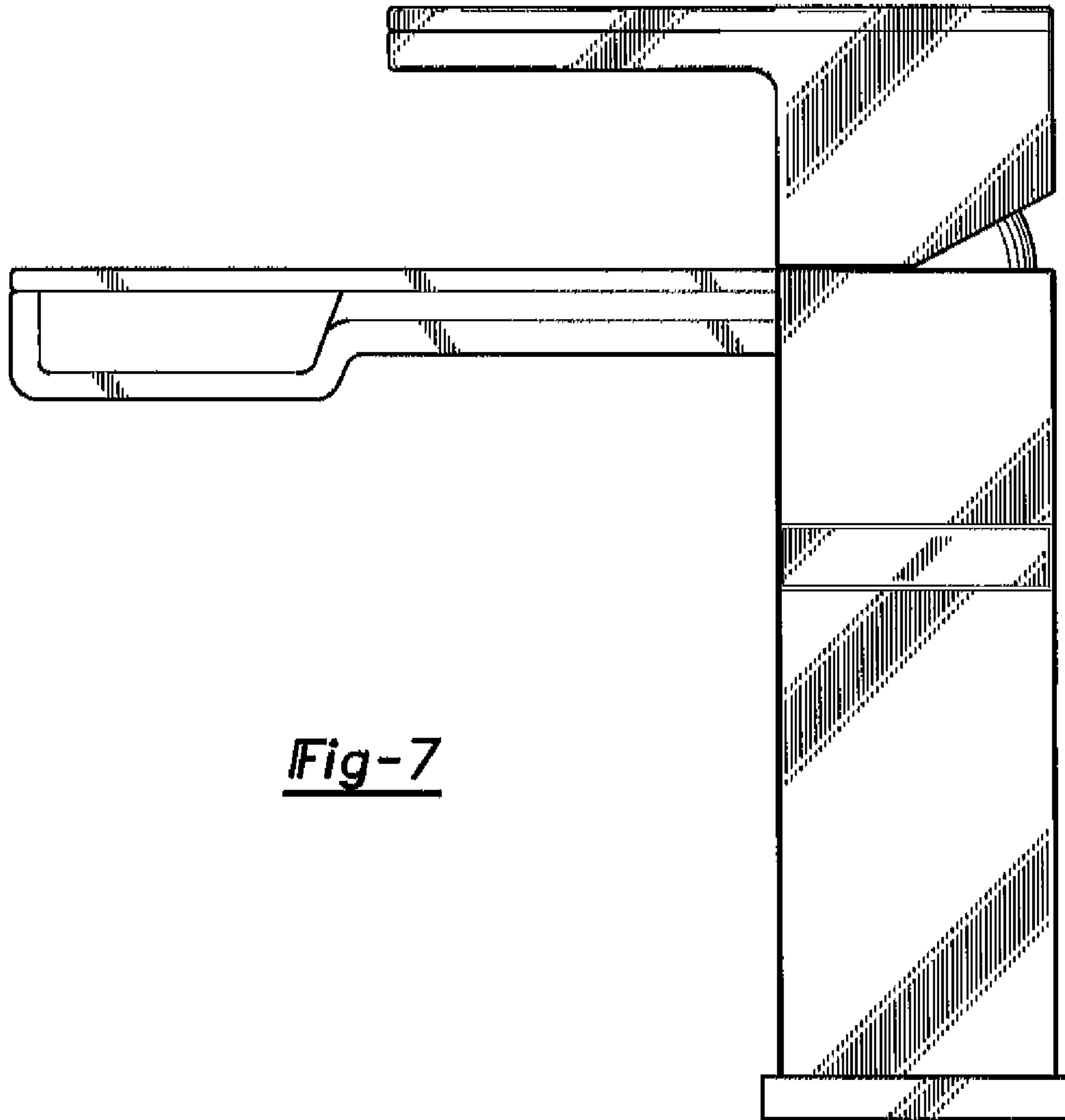


Fig-7

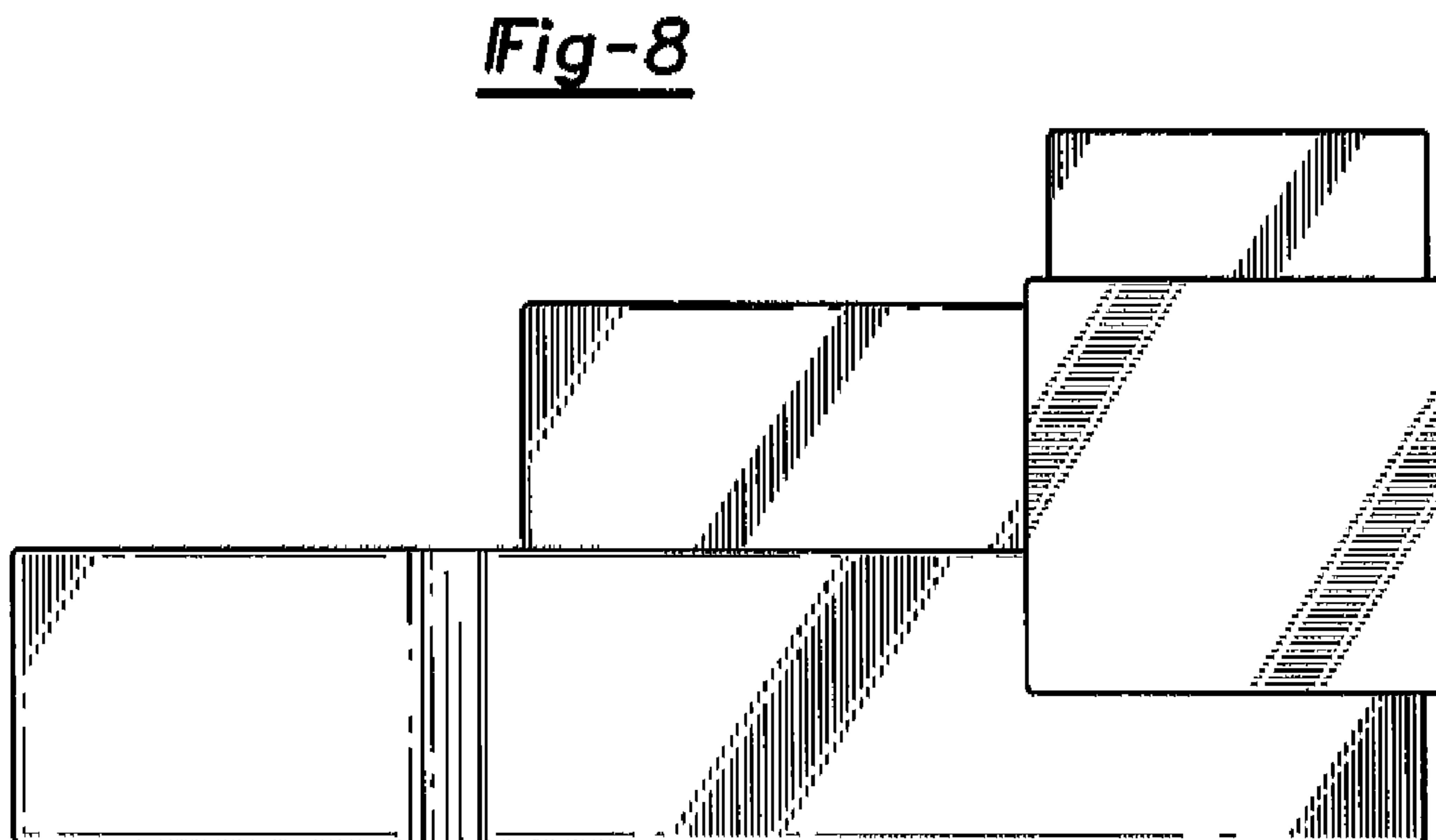


Fig-8