

US00D667083S

(12) **United States Design Patent**  
**Romero**

(10) **Patent No.:** **US D667,083 S**

(45) **Date of Patent:** **\*\* Sep. 11, 2012**

(54) **FAUCET**

(56) **References Cited**

(75) **Inventor:** **Emilie Williams Romero**, Chicago, IL  
(US)

(73) **Assignee:** **Masco Corporation of Indiana**,  
Indianapolis, IN (US)

(\*\*) **Term:** **14 Years**

(21) **Appl. No.:** **29/397,391**

(22) **Filed:** **Jul. 15, 2011**

(51) **LOC (9) Cl.** ..... **23-01**

(52) **U.S. Cl.** ..... **D23/238**

(58) **Field of Classification Search** ..... D23/238,  
D23/241-243, 250, 252, 255, 257; 4/675-678;  
137/801

See application file for complete search history.

U.S. PATENT DOCUMENTS

D271,704 S *	12/1983	Paul .....	D23/238
D575,850 S *	8/2008	Ko .....	D23/238
D625,779 S *	10/2010	Sandee et al. ....	D23/238
D643,908 S *	8/2011	Sieger .....	D23/238

\* cited by examiner

*Primary Examiner* — Robert Delehanty

(74) *Attorney, Agent, or Firm* — Edgar A. Zarins; Nirav D. Parikh; Lora J. Graentzdoerffer

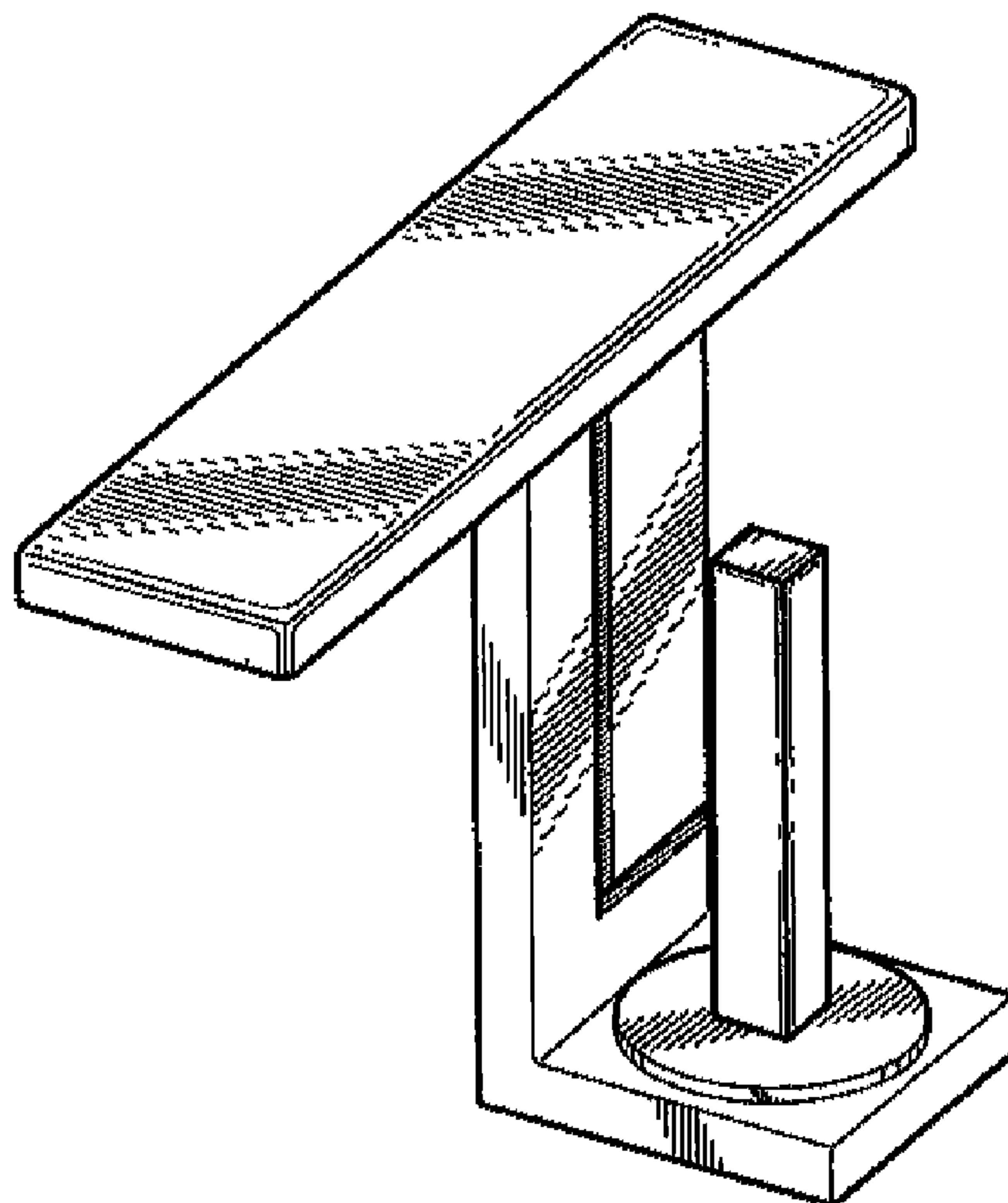
(57) **CLAIM**

The ornamental design for a faucet, as shown and described.

**DESCRIPTION**

FIG. 1 is a perspective view of a faucet showing my new design;  
 FIG. 2 is a rear perspective view thereof;  
 FIG. 3 is a top plan view thereof;  
 FIG. 4 is a rear view thereof;  
 FIG. 5 is a front elevational view thereof;  
 FIG. 6 is a right side view thereof;  
 FIG. 7 is a left side view thereof; and,  
 FIG. 8 is a rear view thereof.

**1 Claim, 2 Drawing Sheets**



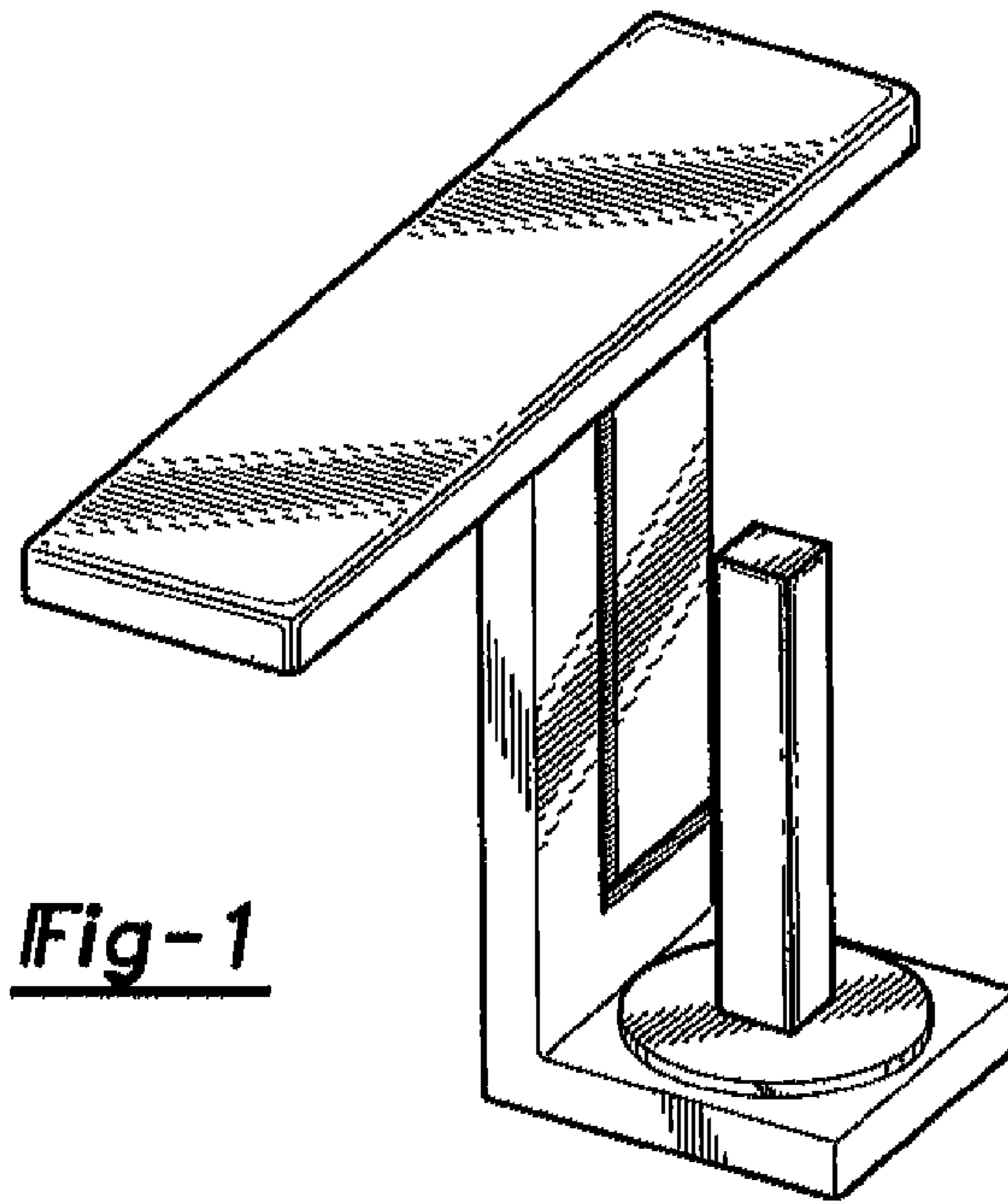


Fig-1

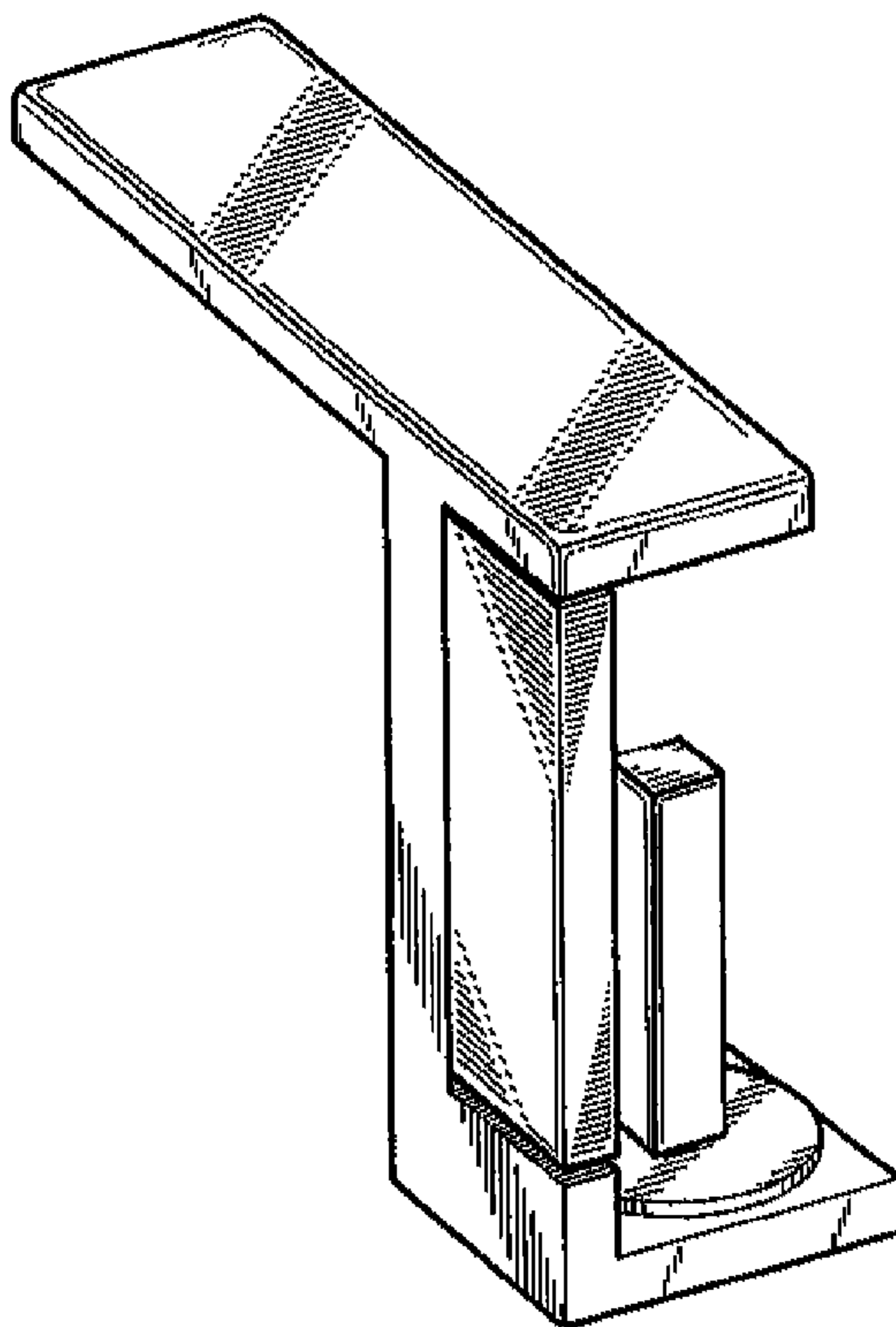


Fig-2

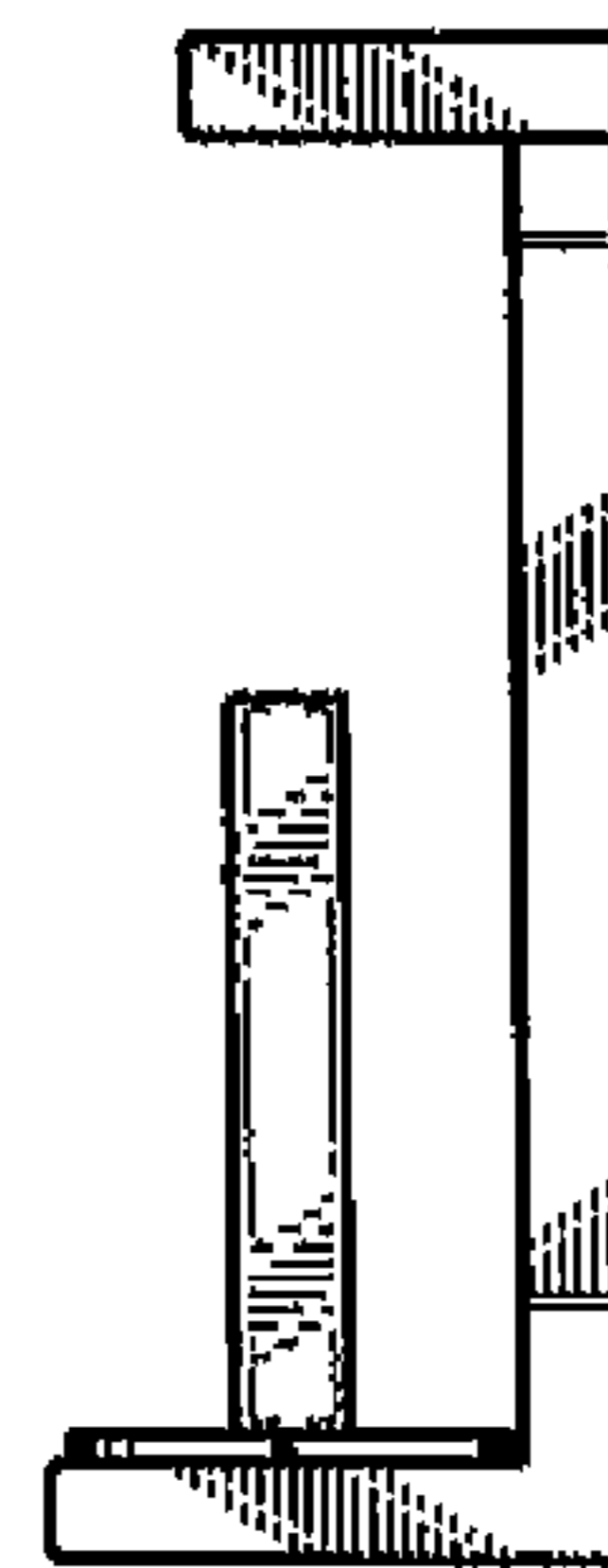


Fig-8

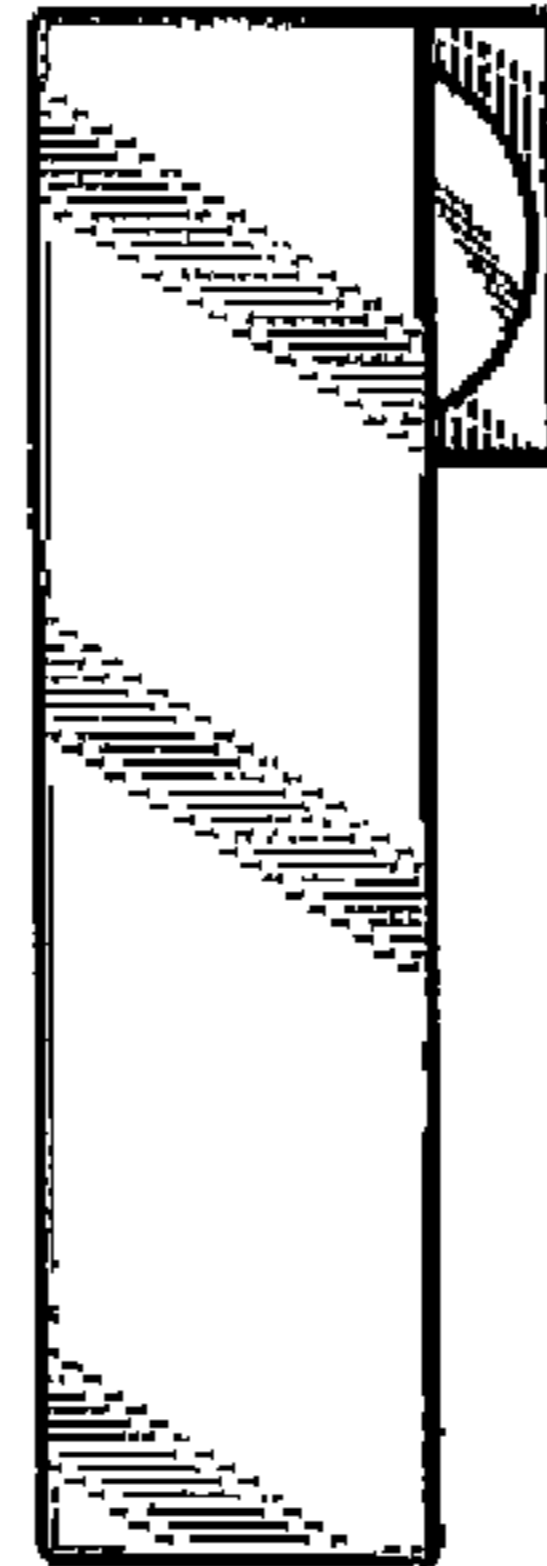


Fig-3

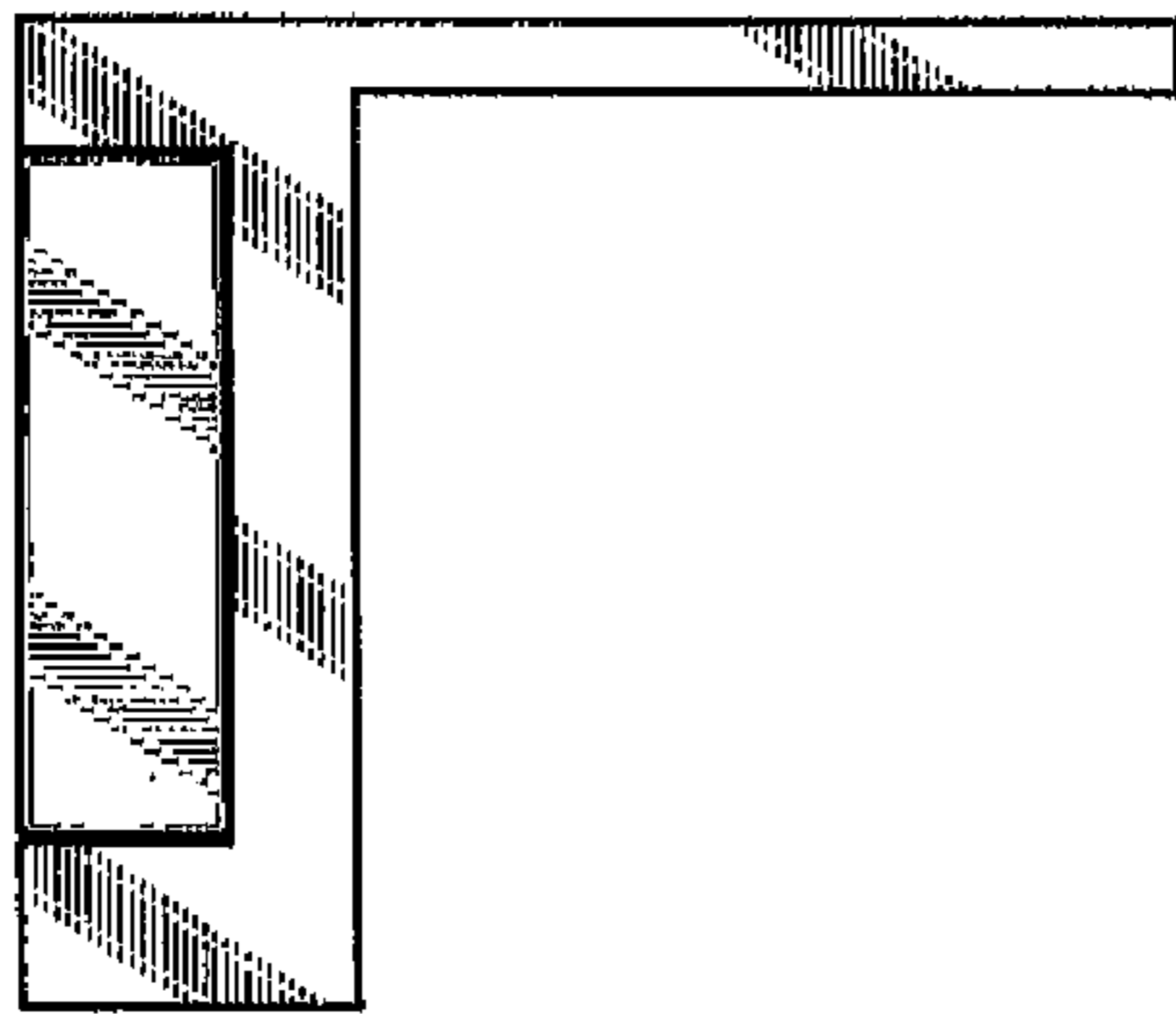


Fig-6

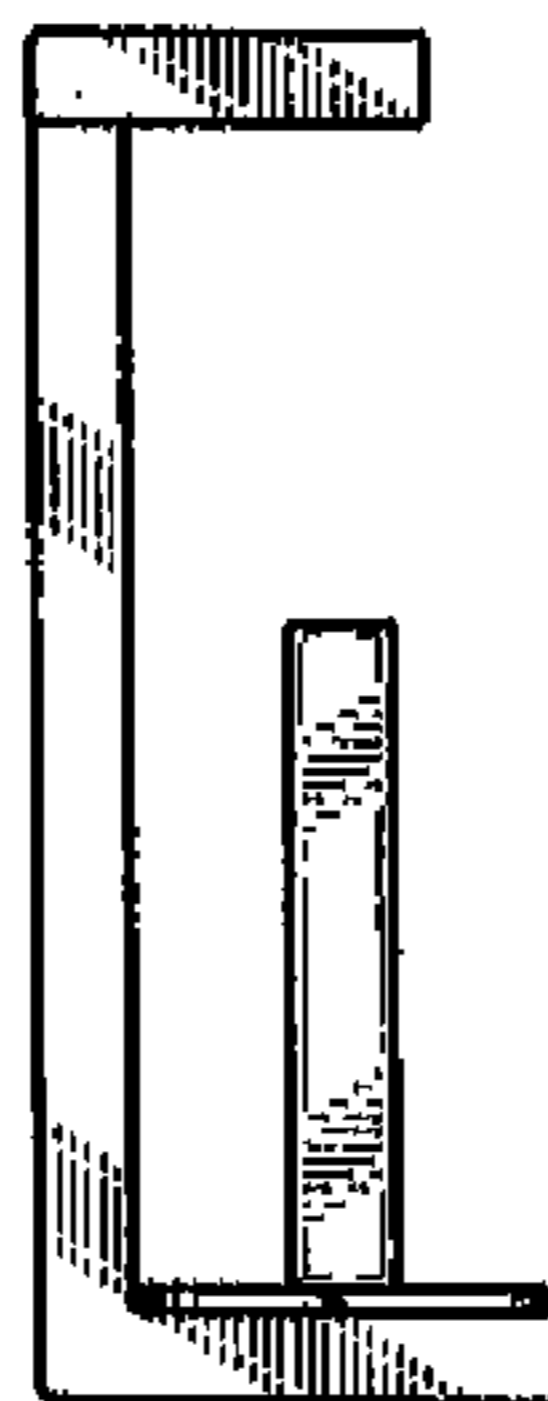


Fig-4

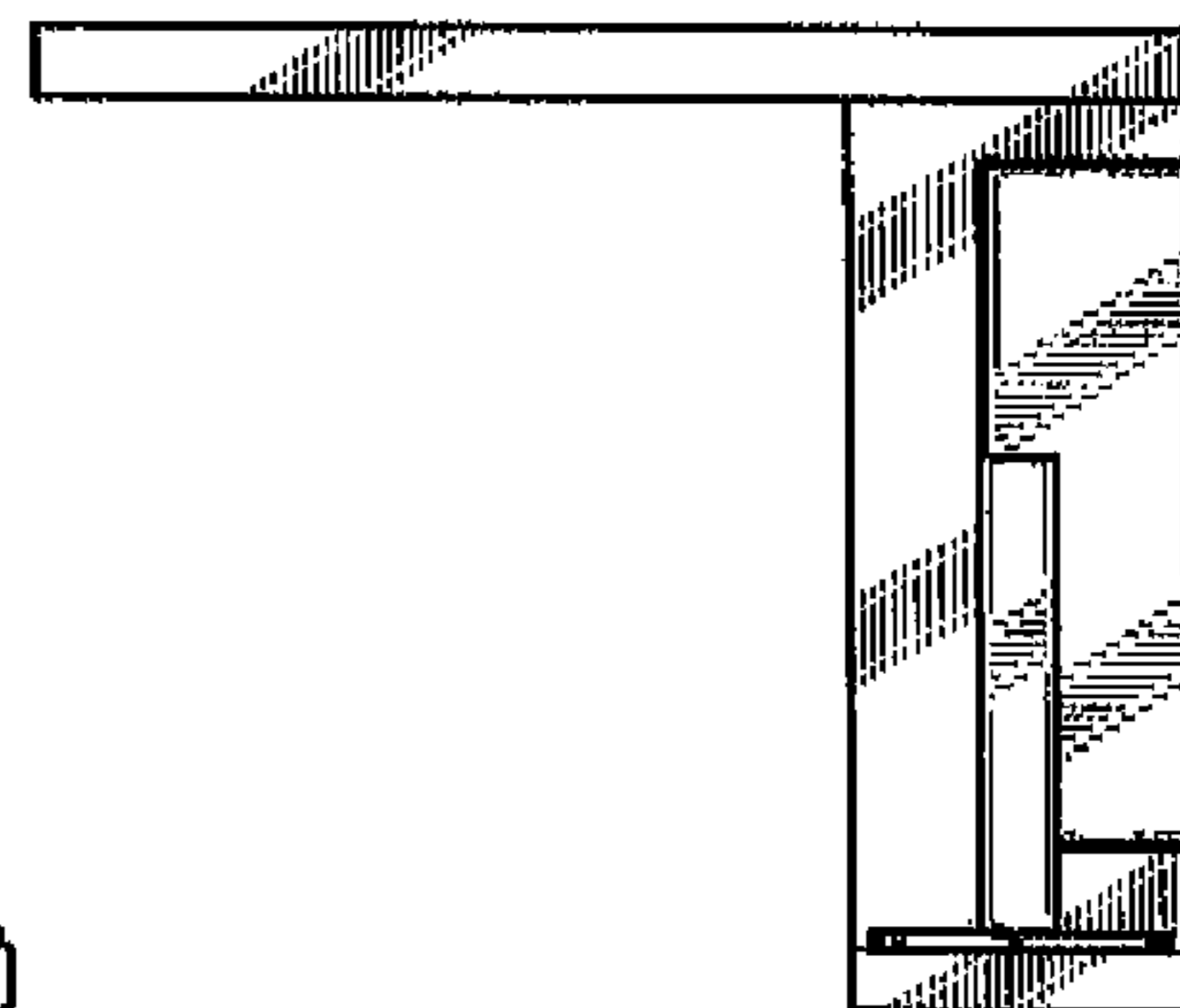


Fig-7

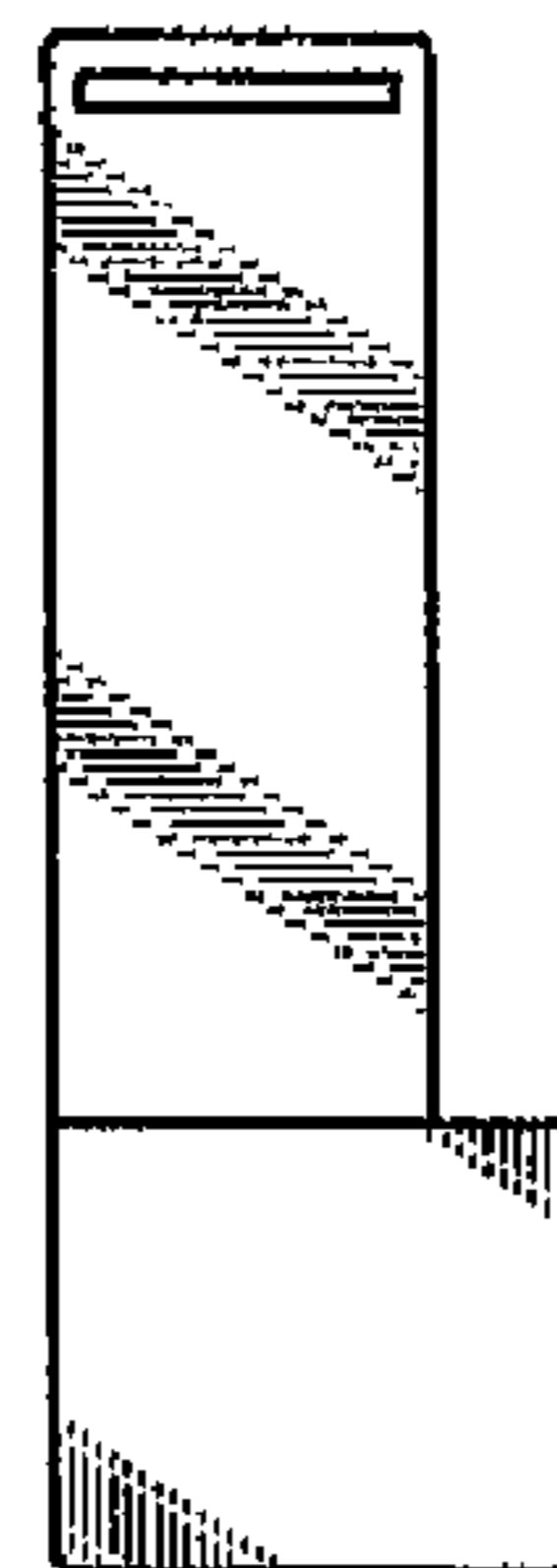


Fig-5