



US00D667081S

(12) **United States Design Patent**
Yoo et al.

(10) **Patent No.:** **US D667,081 S**
(45) **Date of Patent:** **** Sep. 11, 2012**

(54) **SHOWERHEAD**

(75) Inventors: **Man Ki Yoo**, Skokie, IL (US); **Michael Miller**, Fishers, IN (US); **Geraint Krumpe**, Chicago, IL (US)

(73) Assignee: **Masco Corporation of Indiana**, Indianapolis, IN (US)

(**) Term: **14 Years**

(21) Appl. No.: **29/403,991**

(22) Filed: **Oct. 13, 2011**

(51) **LOC (9) Cl.** **23-01**

(52) **U.S. Cl.** **D23/229**

(58) **Field of Classification Search** D23/213,
D23/223, 229, 230; 239/282, 283, 462, 394;
4/615

See application file for complete search history.

(56) **References Cited**

U.S. PATENT DOCUMENTS

D491,632 S * 6/2004 Lin D23/223

D516,169 S * 2/2006 Wu D23/229
D562,944 S * 2/2008 Pan D23/229
D629,867 S * 12/2010 Rexach et al. D23/213

* cited by examiner

Primary Examiner — Robin V Webster

(74) *Attorney, Agent, or Firm* — Edgar A. Zarins; Nirav D. Parikh; Lora J. Graentzdoerffer

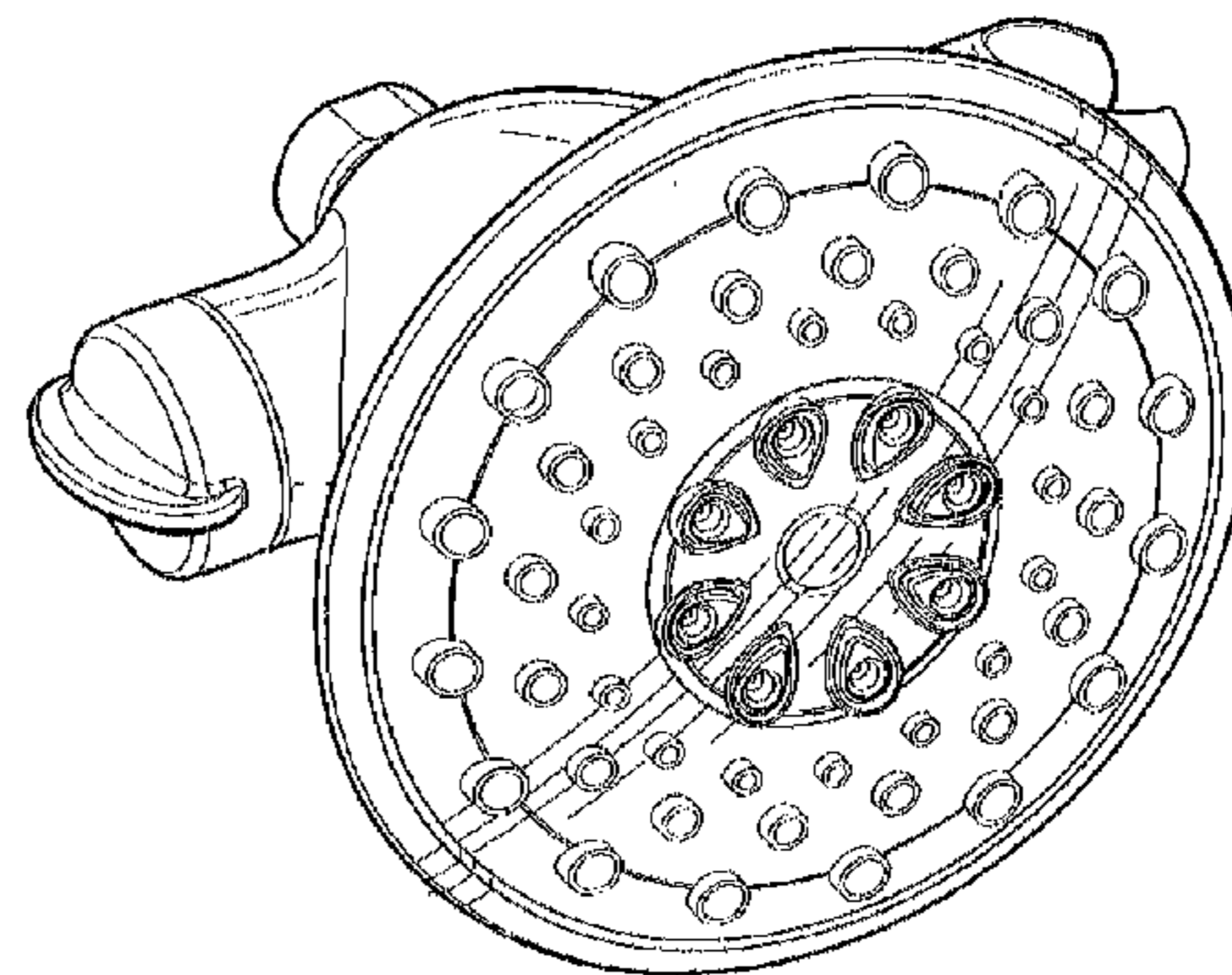
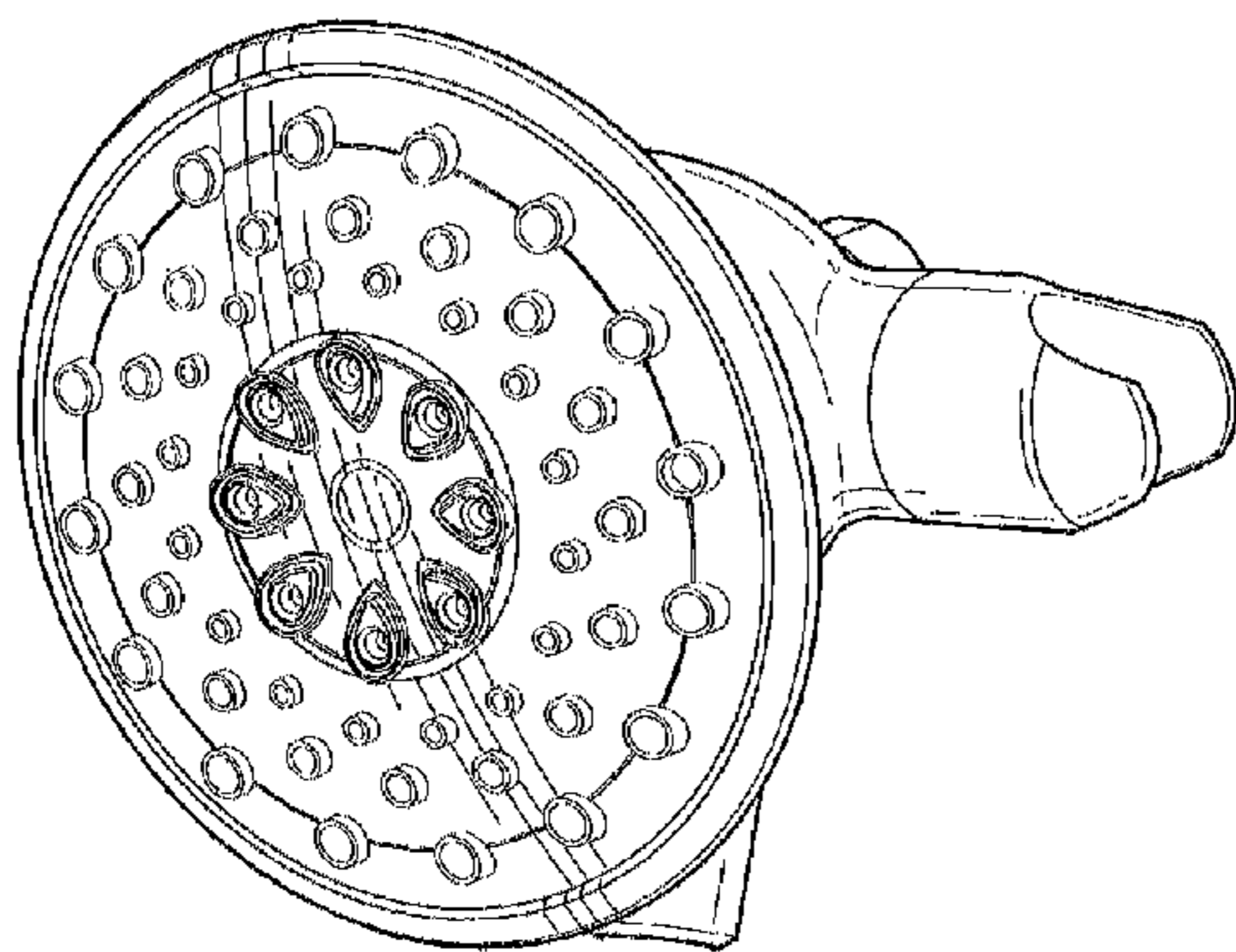
(57) **CLAIM**

The ornamental design for a showerhead, as shown and described.

DESCRIPTION

FIG. 1 is a first perspective view of a showerhead showing our new design;
FIG. 2 is a second perspective view thereof;
FIG. 3 is a front elevational view thereof;
FIG. 4 is a first view thereof;
FIG. 5 is a second side view thereof;
FIG. 6 is a bottom plan view thereof; and,
FIG. 7 is a rear view thereof.

1 Claim, 4 Drawing Sheets



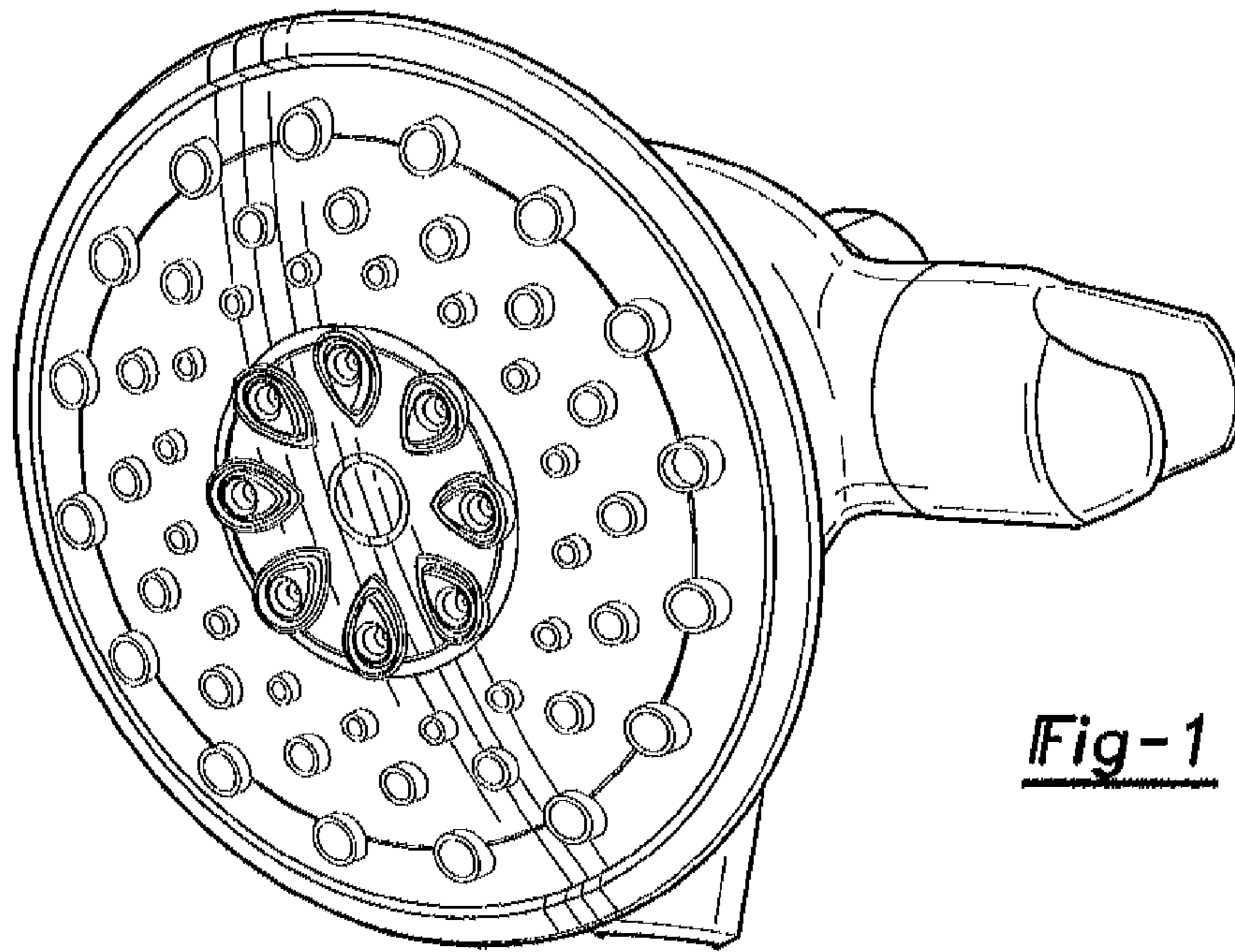


Fig-1

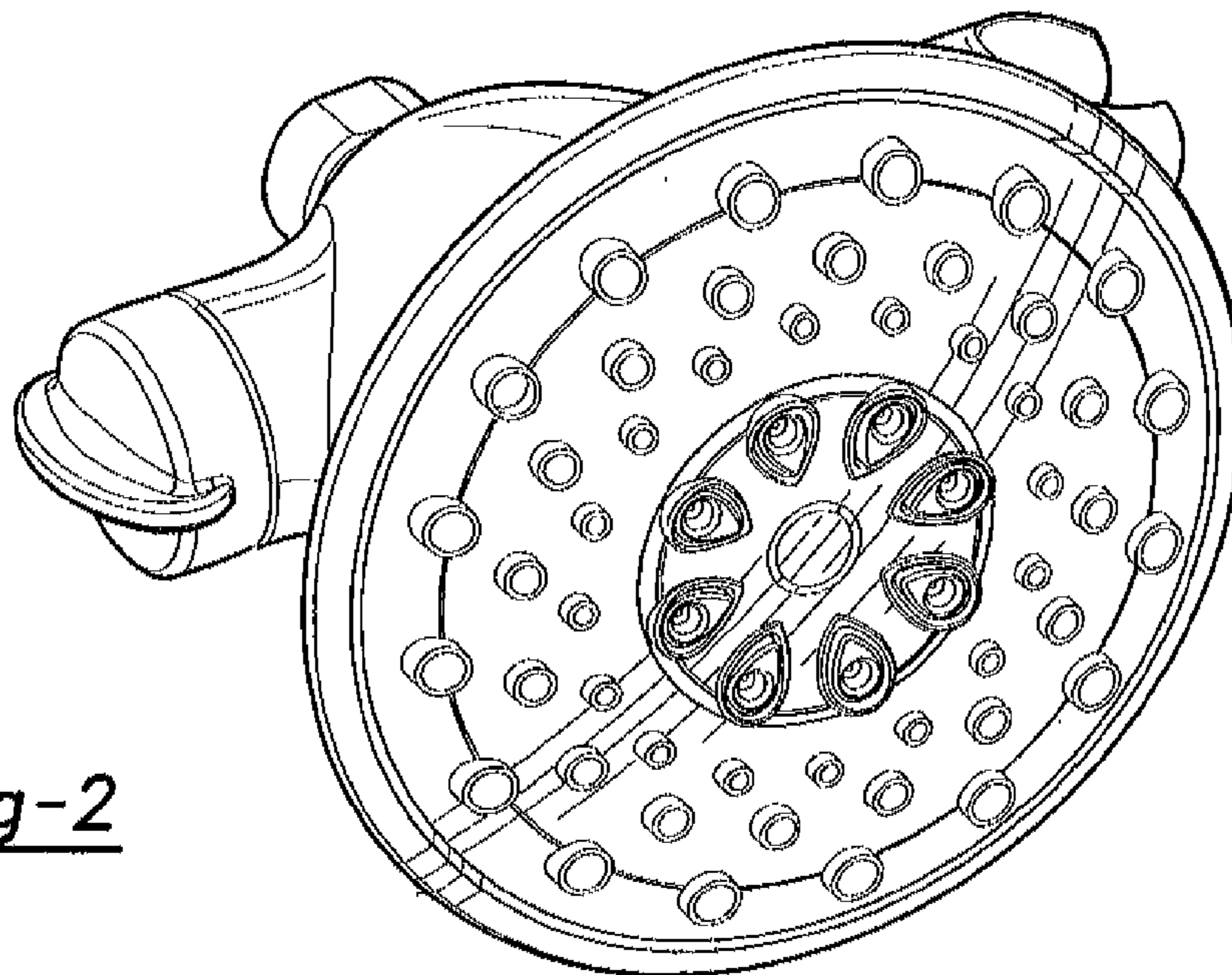


Fig-2

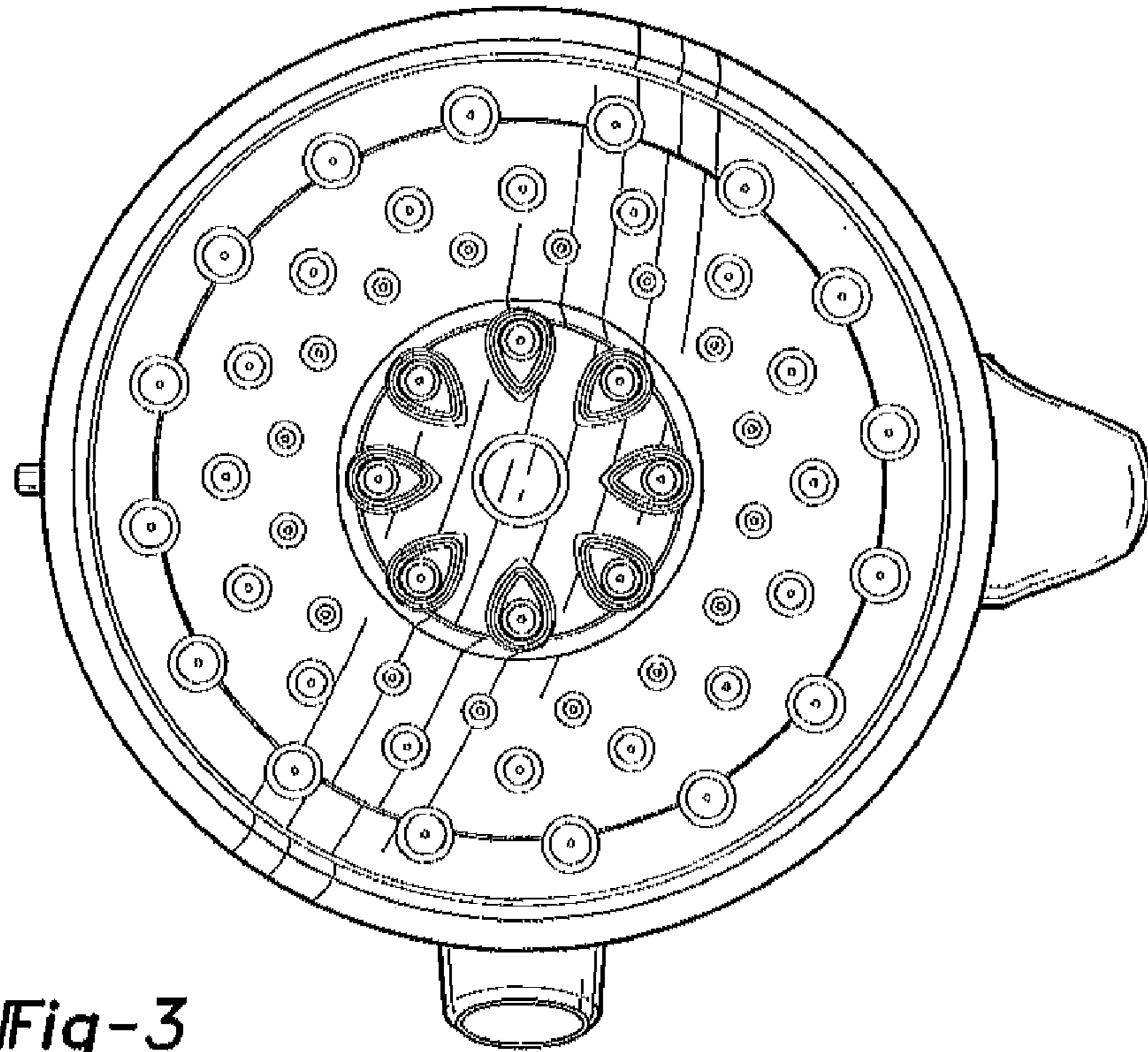


Fig-3

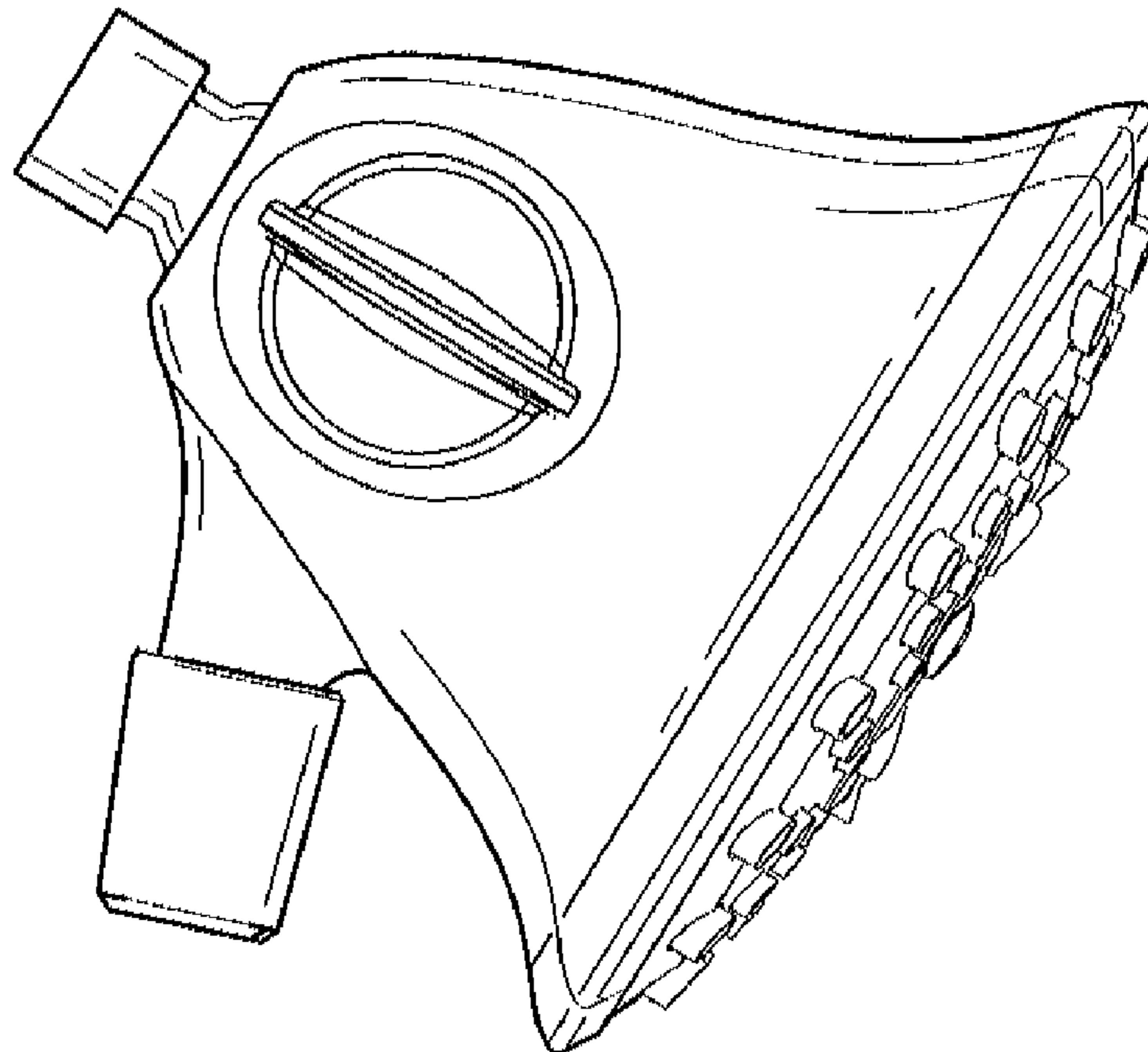


Fig-4

Fig-5

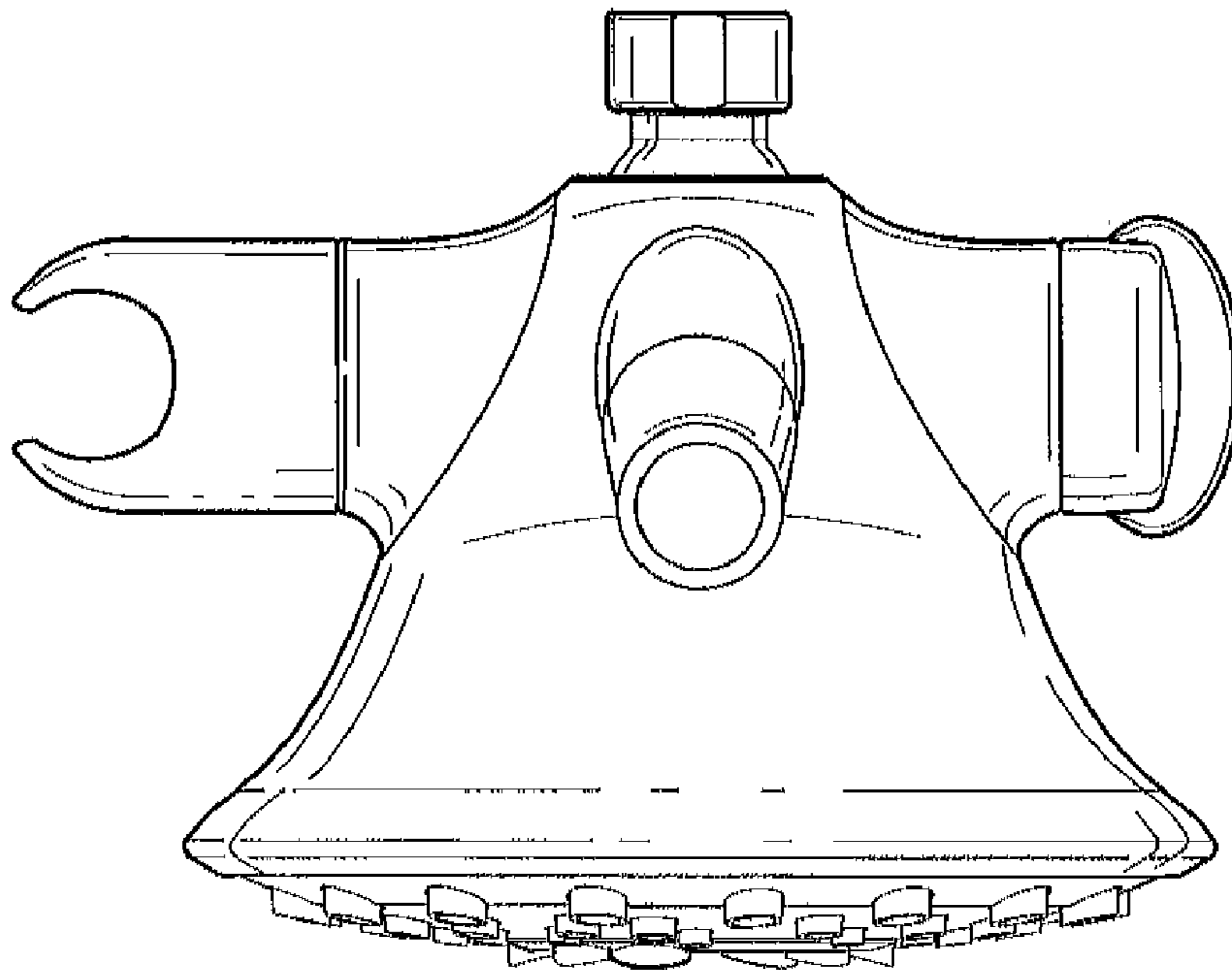
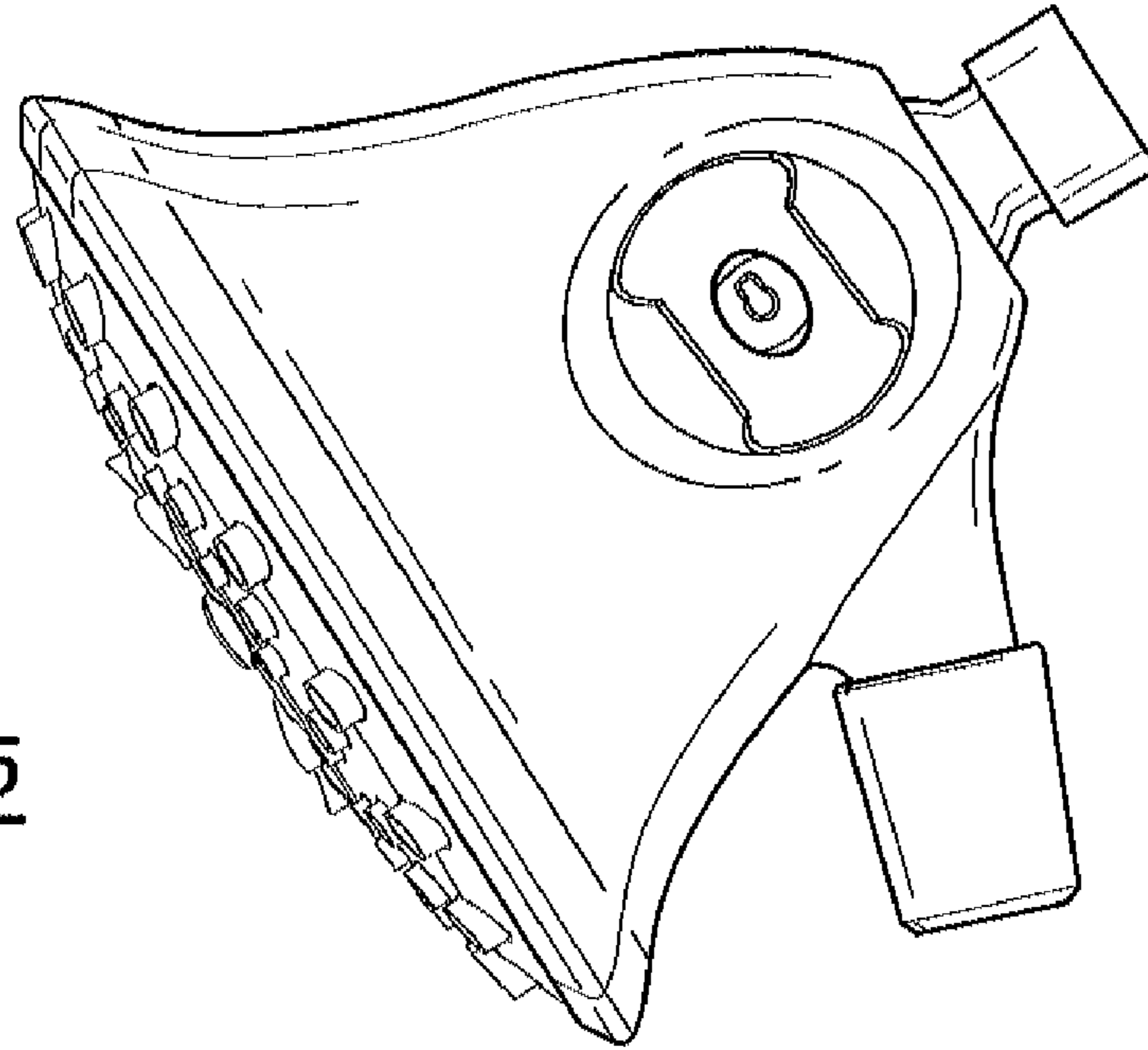


Fig-6

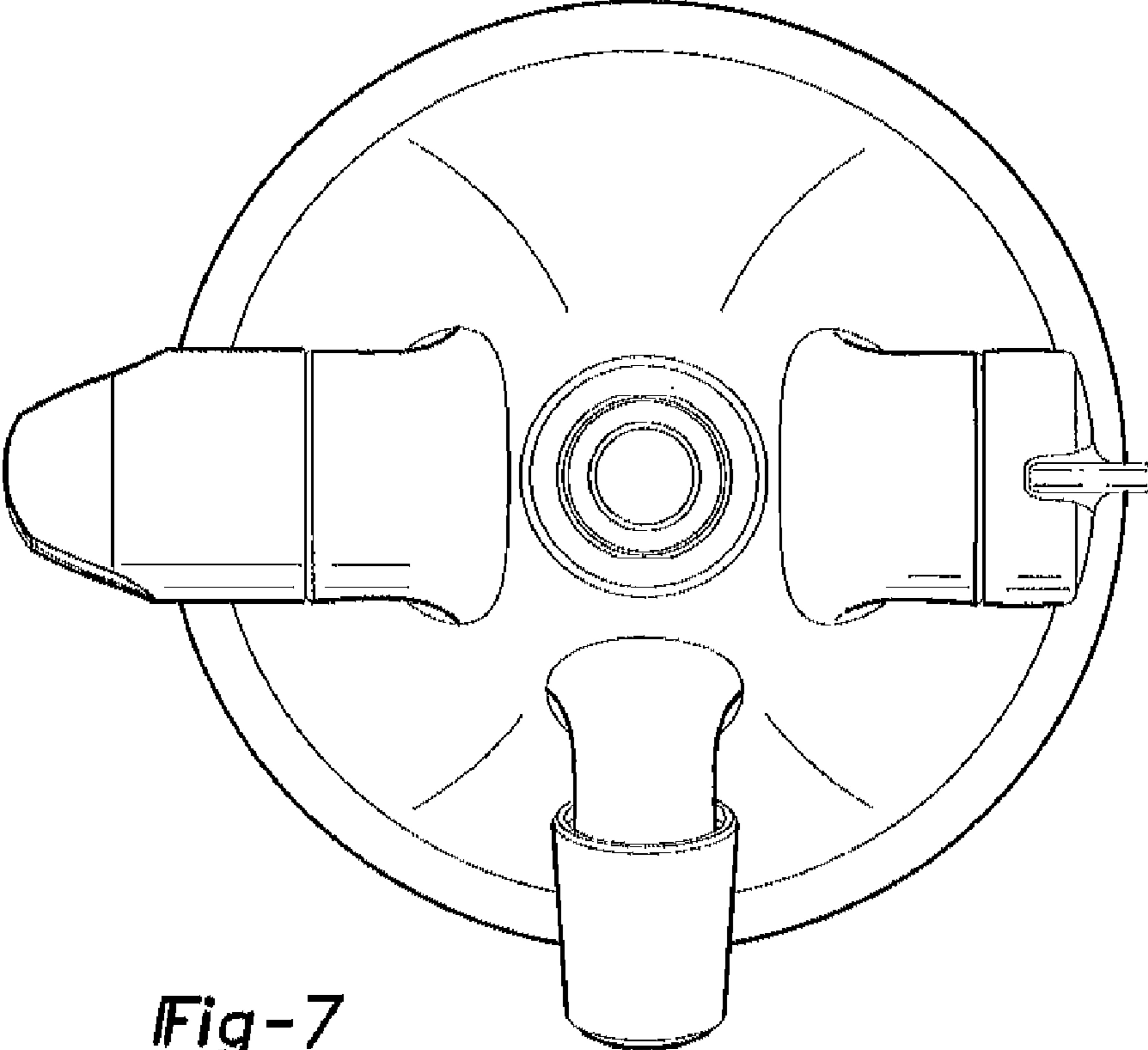


Fig-7