



US00D667080S

(12) **United States Design Patent**  
**Sanwald**

(10) **Patent No.:** **US D667,080 S**

(45) **Date of Patent:** **\*\* \*Sep. 11, 2012**

(54) **POWDER SPRAY GUN**

(75) Inventor: **Marco Sanwald**, Abtwil (CH)

(73) Assignee: **Illinois Tool Works Inc.**, Glenview, IL (US)

(\* ) Notice: This patent is subject to a terminal disclaimer.

(\*\*) Term: **14 Years**

(21) Appl. No.: **29/394,935**

(22) Filed: **Jun. 23, 2011**

(30) **Foreign Application Priority Data**

Dec. 30, 2010 (EP) ..... 001252910

(51) **LOC (9) Cl.** ..... **23-01**

(52) **U.S. Cl.** ..... **D23/223**

(58) **Field of Classification Search** ..... D23/213,  
D23/223, 226; 239/525-527, 690, 690.1,  
239/691; 361/226-228

See application file for complete search history.

(56) **References Cited**

**U.S. PATENT DOCUMENTS**

4,182,490 A \* 1/1980 Kennon ..... 239/3  
D318,712 S \* 7/1991 Buschor ..... D23/226  
D325,241 S \* 4/1992 Buschor ..... D23/226

D334,615 S \* 4/1993 Berfield et al. .... D23/226  
5,503,880 A \* 4/1996 Matschke ..... 427/475  
5,678,770 A \* 10/1997 Shah ..... 239/690  
5,779,162 A \* 7/1998 Noakes et al. .... 239/690.1  
D397,421 S \* 8/1998 Adams ..... D23/226  
D441,833 S \* 5/2001 Haas ..... D23/226  
D573,227 S \* 7/2008 Mirazita et al. .... D23/226  
7,617,998 B2 \* 11/2009 Mauchle et al. .... 239/707

\* cited by examiner

*Primary Examiner* — Robin V Webster

(74) *Attorney, Agent, or Firm* — Lowe Hauptman Ham & Berner LLP

(57) **CLAIM**

The ornamental design for a powder spray gun, as shown and described.

**DESCRIPTION**

FIG. 1 is a left side view of a powder spray gun bearing the design;

FIG. 2 is a left-front-bottom perspective view of the powder spray gun of FIG. 1;

FIG. 3 is a left-rear perspective view of the powder spray gun of FIG. 1;

FIG. 4 is a bottom view of the powder spray gun of FIG. 1;

FIG. 5 is a top view of the powder spray gun of FIG. 1;

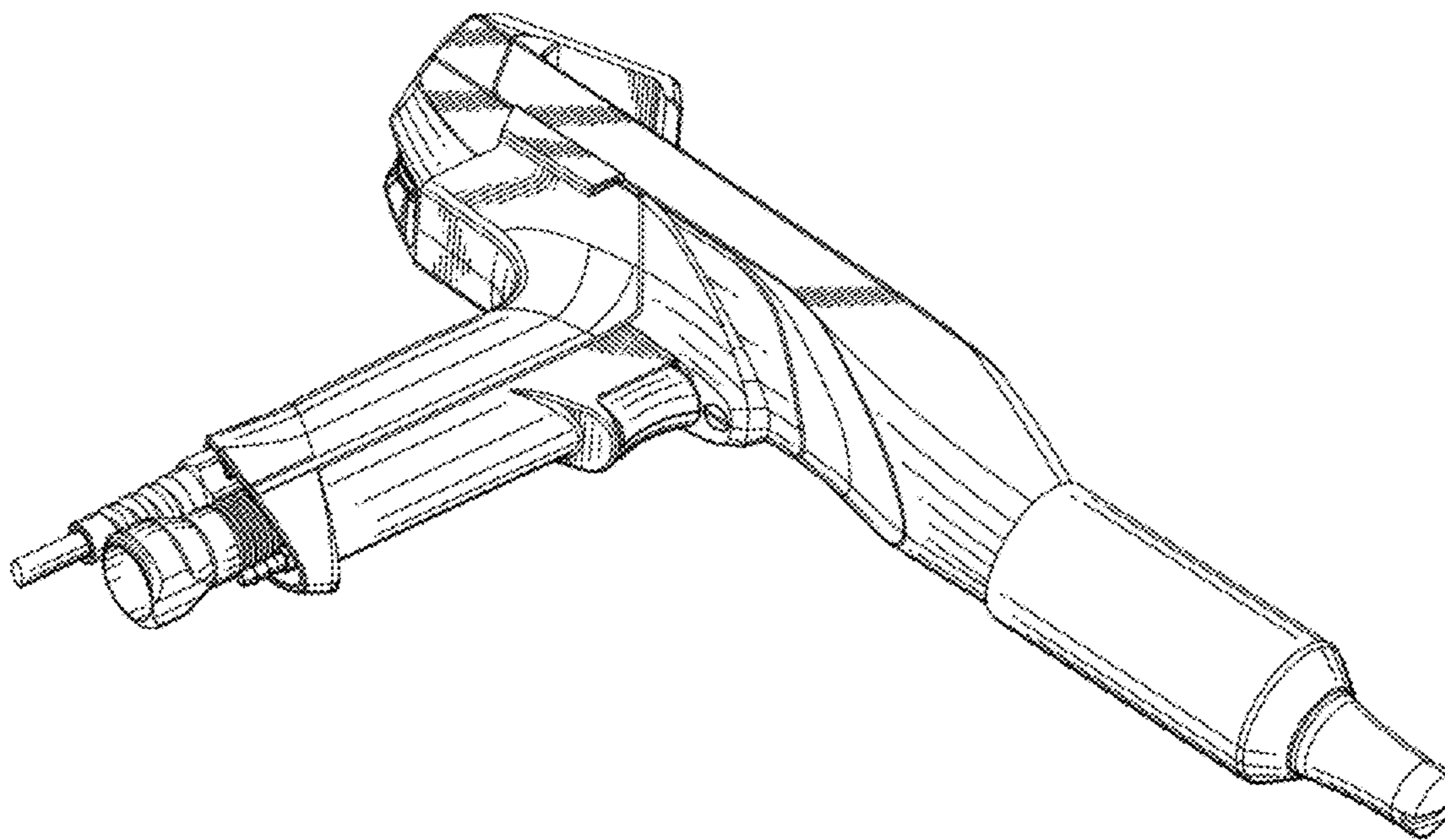
FIG. 6 is a rear view of the powder spray gun of FIG. 1; and,

FIG. 7 is a front view of the powder spray gun of FIG. 1.

The right side view is a mirror-image of the left side view

except for the raised feature shown in FIGS. 4-7.  
The broken lines in the drawings form no part of the claimed design.

**1 Claim, 7 Drawing Sheets**



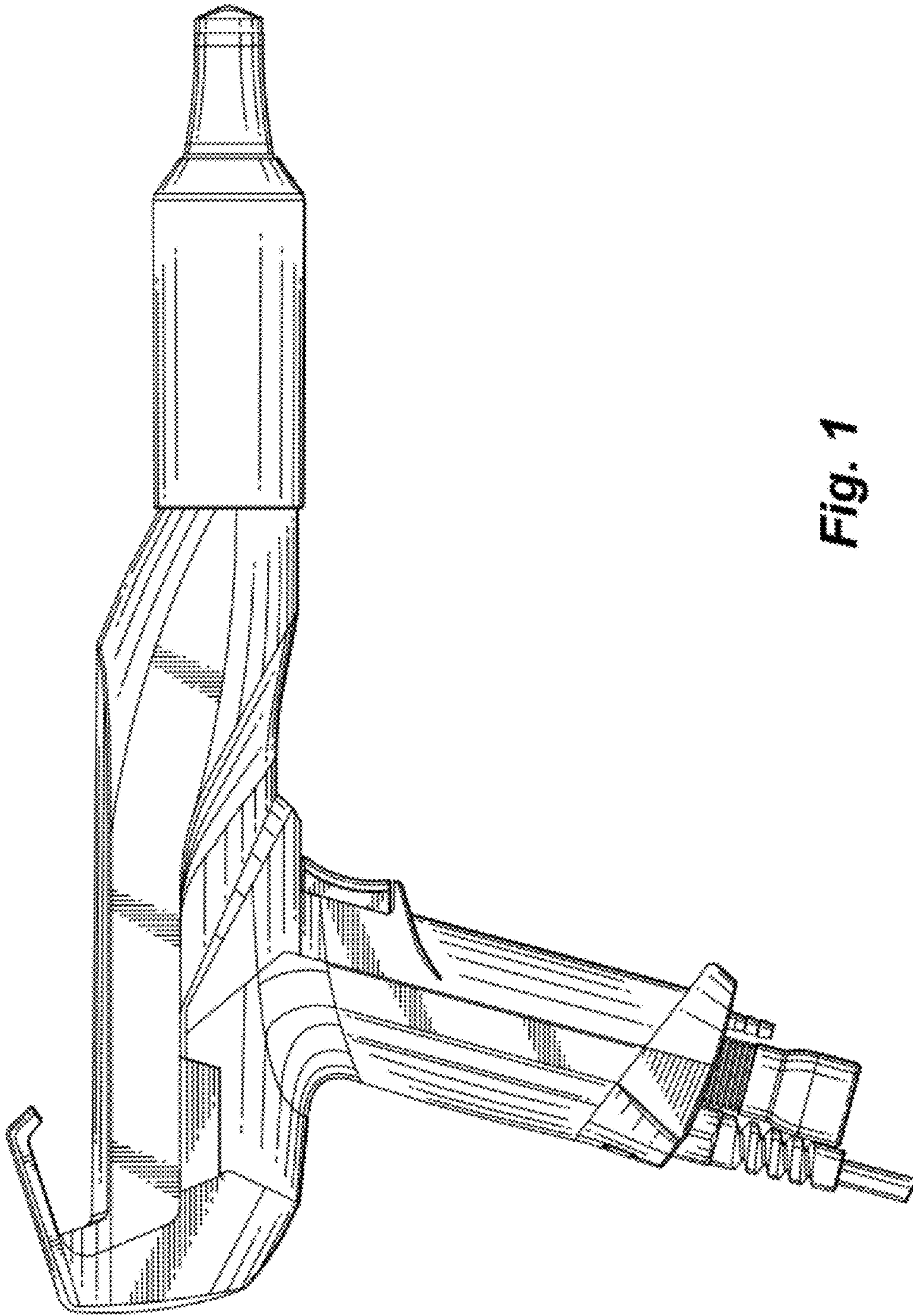


Fig. 1

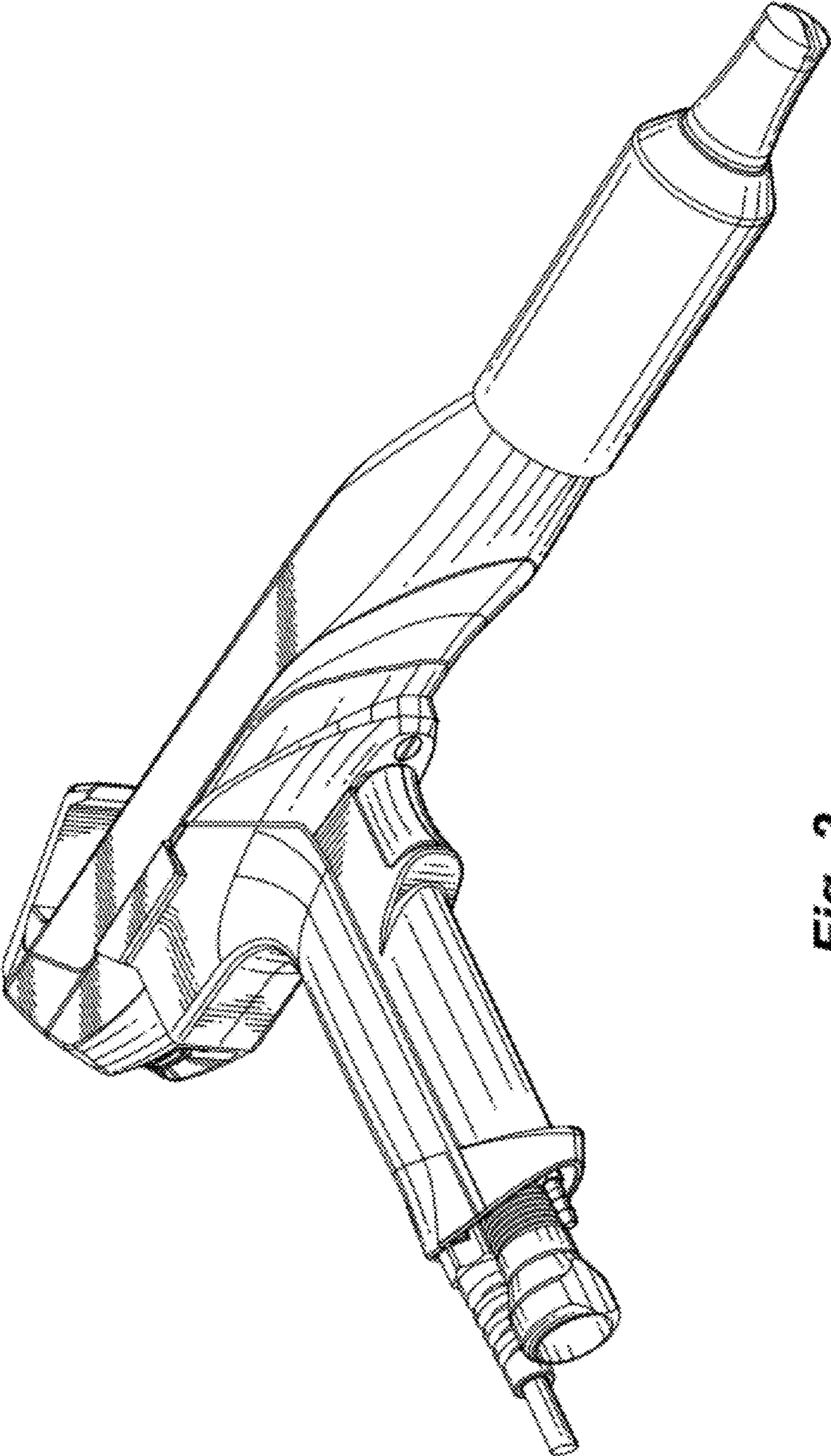
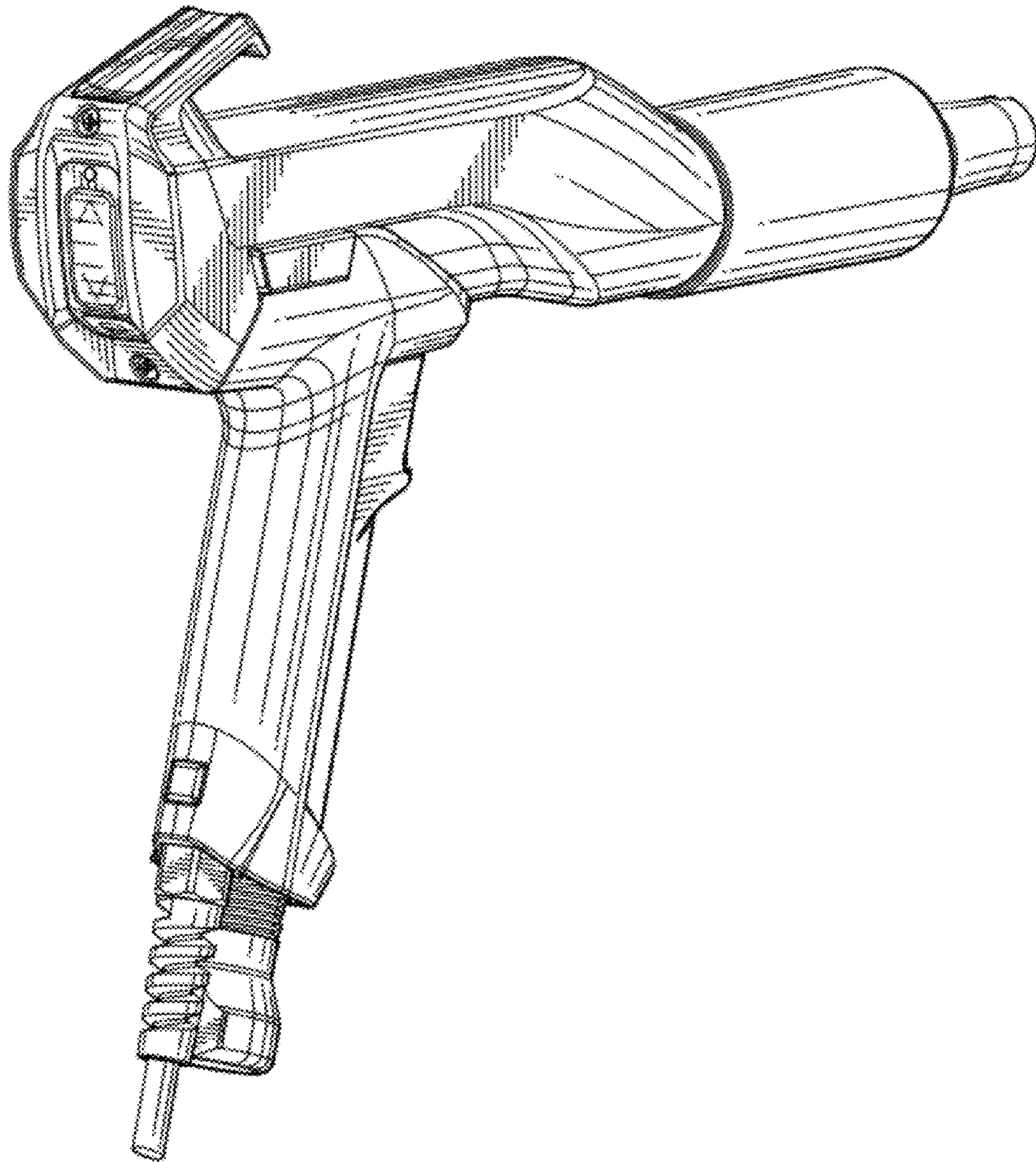
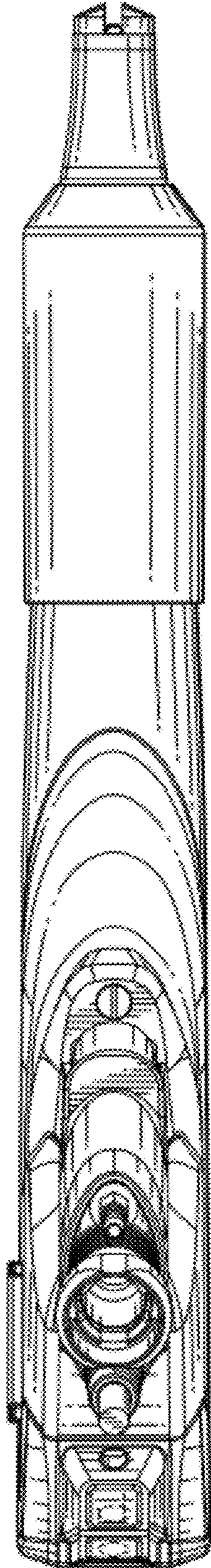


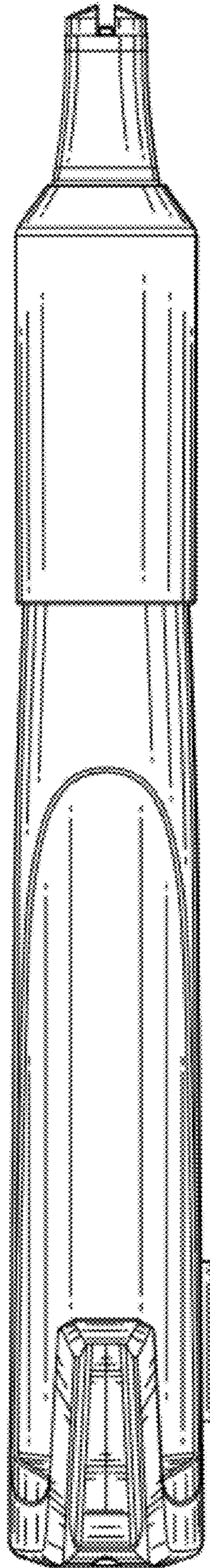
Fig. 2



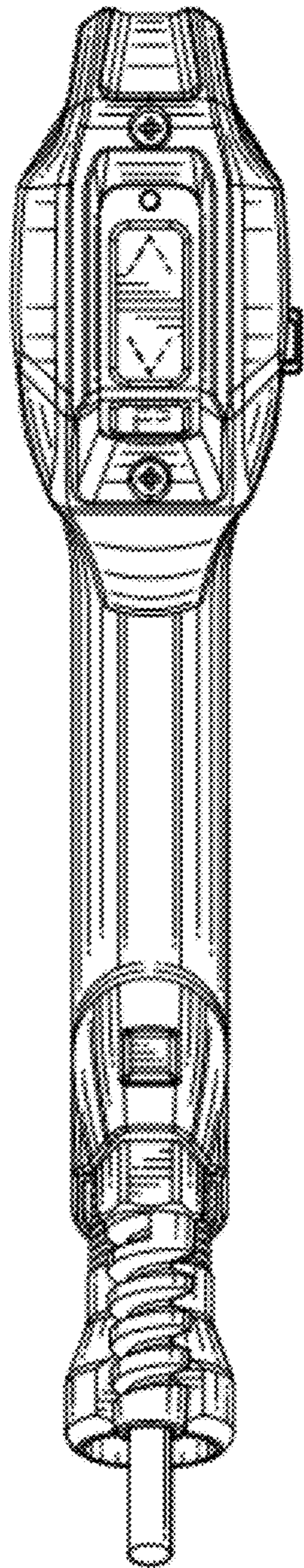
**Fig. 3**



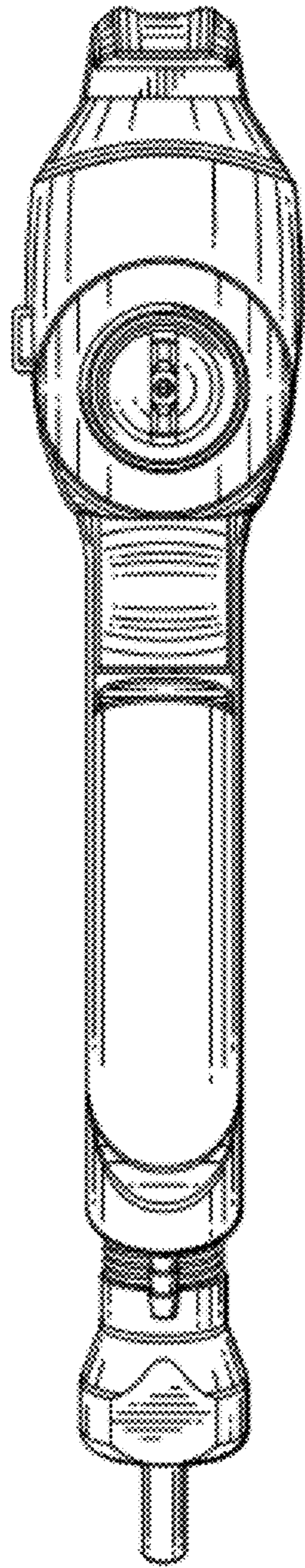
**Fig. 4**



**Fig. 5**



**Fig. 6**



**Fig. 7**