

US00D667079S

(12) **United States Design Patent**  
**Polan**

(10) **Patent No.:** **US D667,079 S**

(45) **Date of Patent:** **\*\* Sep. 11, 2012**

(54) **SOLDERED MINI-LINK MECHANISM**

(75) **Inventor:** **George S. Polan**, Greer, SC (US)

(73) **Assignee:** **The Reliable Automatic Sprinkler Co., Inc.**, Liberty, SC (US)

(\*\*) **Term:** **14 Years**

(21) **Appl. No.:** **29/404,366**

(22) **Filed:** **Oct. 19, 2011**

(51) **LOC (9) Cl.** ..... **23-01**

(52) **U.S. Cl.** ..... **D23/214**

(58) **Field of Classification Search** ..... D23/213,  
D23/214; 169/37-40, 42; 29/890.143  
See application file for complete search history.

(56) **References Cited**

**U.S. PATENT DOCUMENTS**

2,534,065	A *	12/1950	Rowley	.....	169/39
3,866,686	A *	2/1975	Goodsell et al.	.....	169/39
4,901,799	A *	2/1990	Pepi et al.	.....	169/39
6,336,509	B1 *	1/2002	Polan et al.	.....	169/37
6,340,059	B1 *	1/2002	Bethea	.....	169/37
6,868,917	B2 *	3/2005	Meyer et al.	.....	169/37
7,819,201	B2 *	10/2010	Pounder et al.	.....	169/37
8,122,969	B1 *	2/2012	Fischer	.....	169/37

\* cited by examiner

*Primary Examiner* — Robin V Webster

(74) *Attorney, Agent, or Firm* — Fitzpatrick, Cella, Harper & Scinto

(57) **CLAIM**

The ornamental design for a soldered mini-link mechanism, as shown and described.

**DESCRIPTION**

FIG. 1 is a front and right side perspective view of the first embodiment of a soldered mini-link mechanism show my new design;

FIG. 2 is a rear and left side view thereof;

FIG. 3 is a right side view thereof;

FIG. 4 is a left side view thereof;

FIG. 5 is a front view thereof;

FIG. 6 is a rear view thereof;

FIG. 7 is a cross-sectional view taken along line 7-7 of FIG. 5;

FIG. 8 is a cross-sectional view taken along line 8-8 of FIG. 6;

FIG. 9 is a cross-sectional view taken along line 9-9 of FIG. 6;

FIG. 10 is a front and right side perspective view of a second embodiment of a soldered mini-link mechanism;

FIG. 11 is a rear and left side perspective view thereof;

FIG. 12 is a right side view thereof;

FIG. 13 is a left side view thereof;

FIG. 14 is a front view thereof;

FIG. 15 is a rear view thereof;

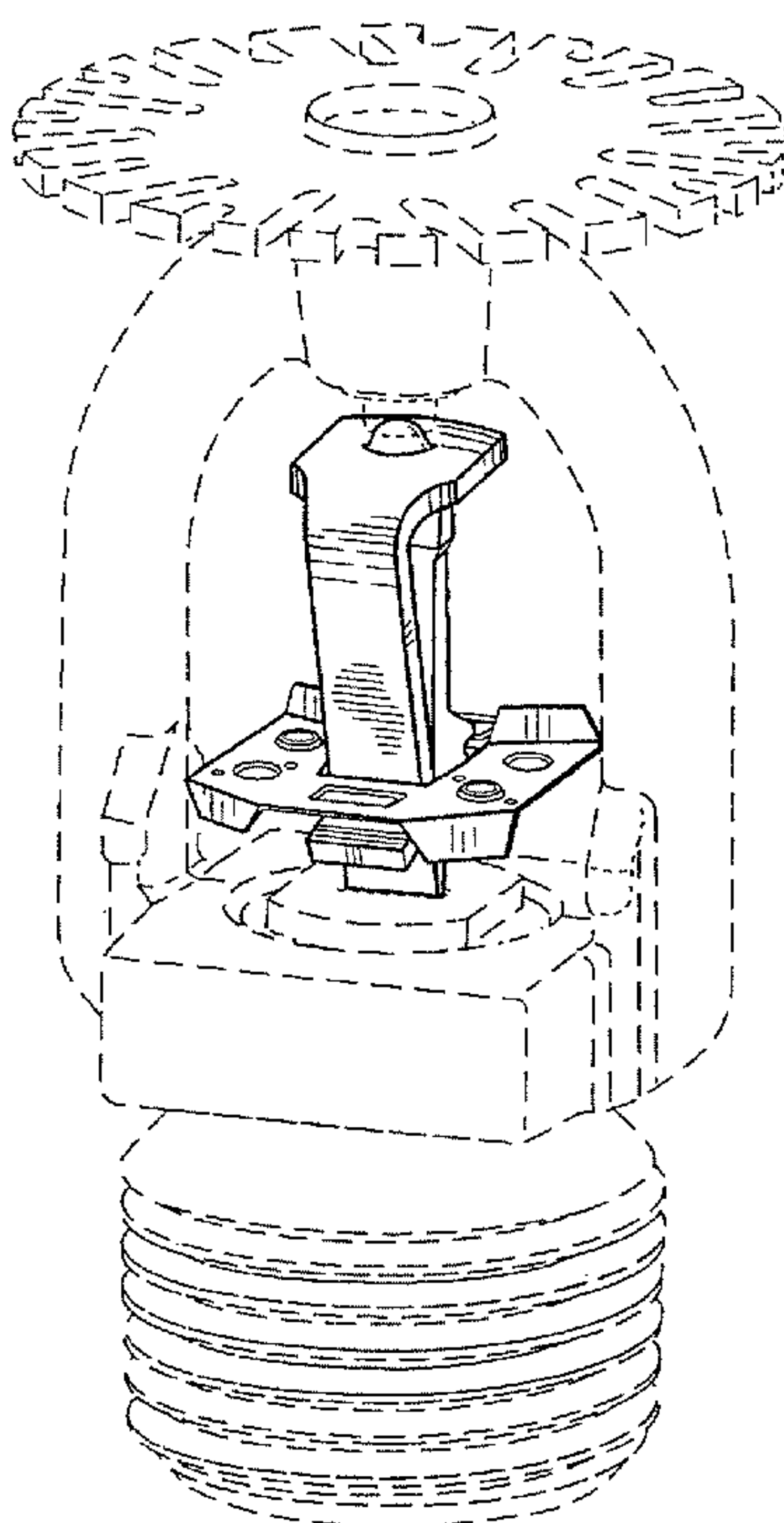
FIG. 16 is a cross-sectional view taken along line 16-16 of FIG. 14;

FIG. 17 is a cross-sectional view taken along line 17-17 of FIG. 15; and,

FIG. 18 is a cross-sectional view taken along line 18-18 of FIG. 15.

The broken lines in FIGS. 1 to 18 are shown for the purpose of illustrating a structure of the environment, are for illustrative purposes only, and form no part of the claimed design.

**1 Claim, 8 Drawing Sheets**



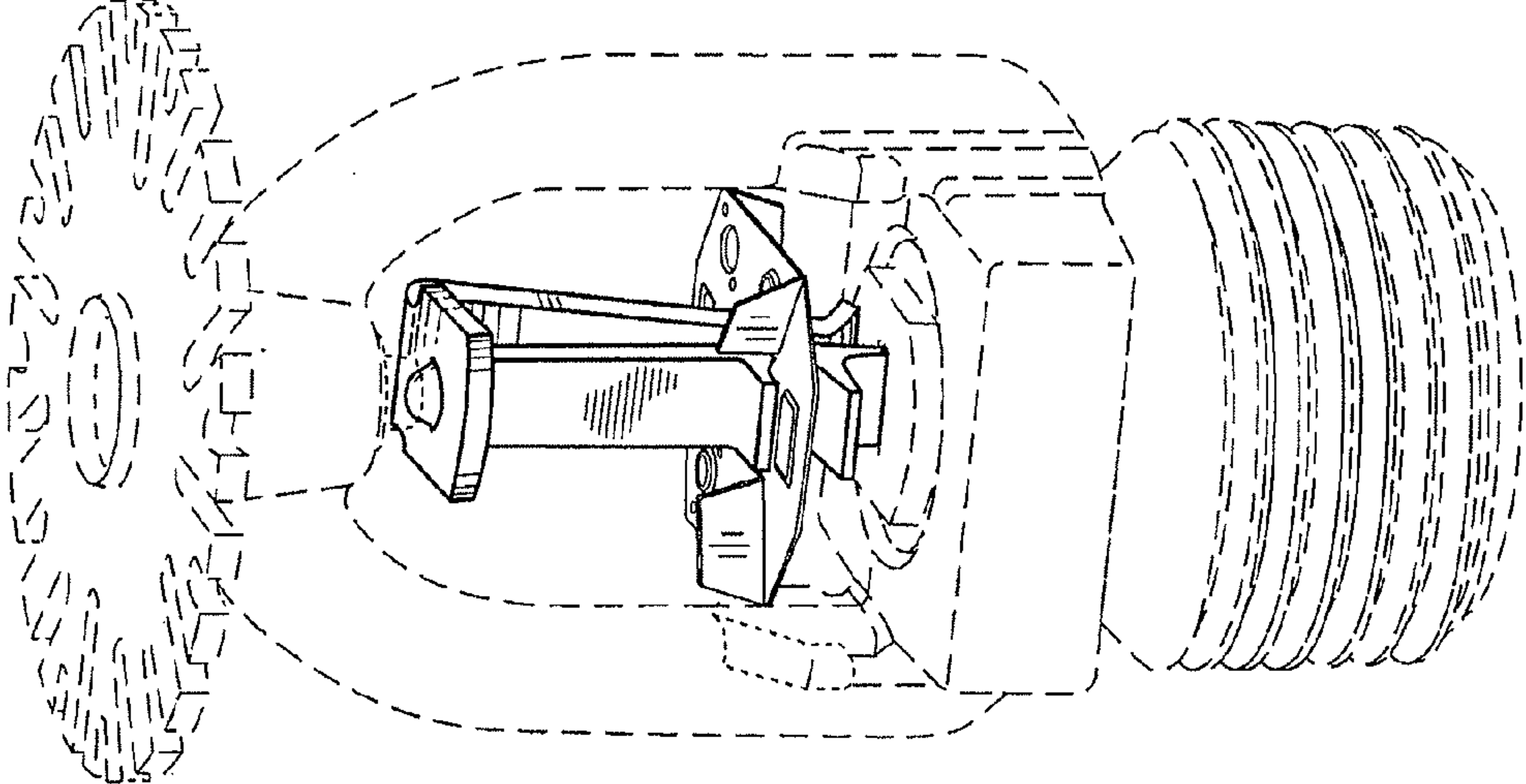


FIG. 2

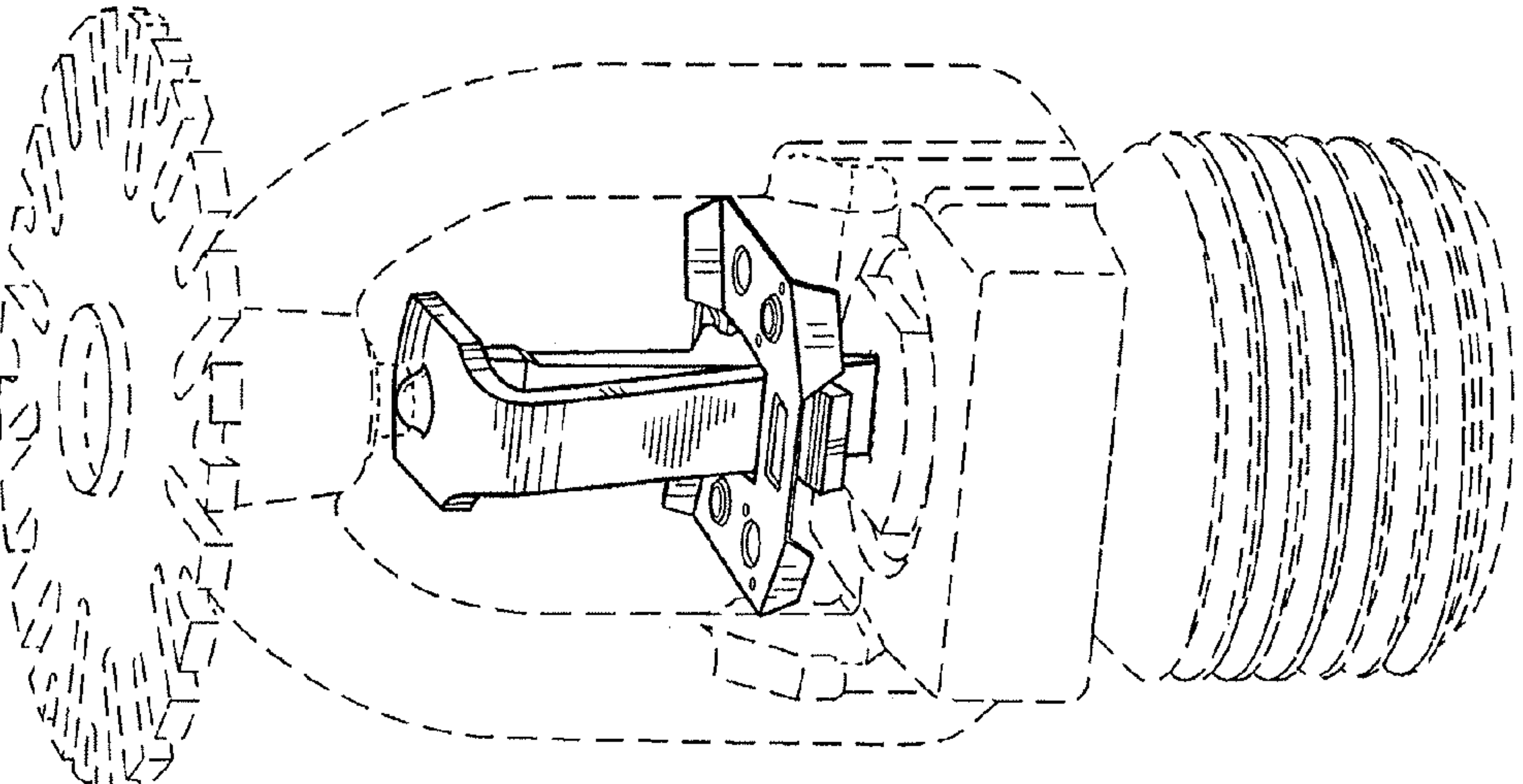


FIG. 1

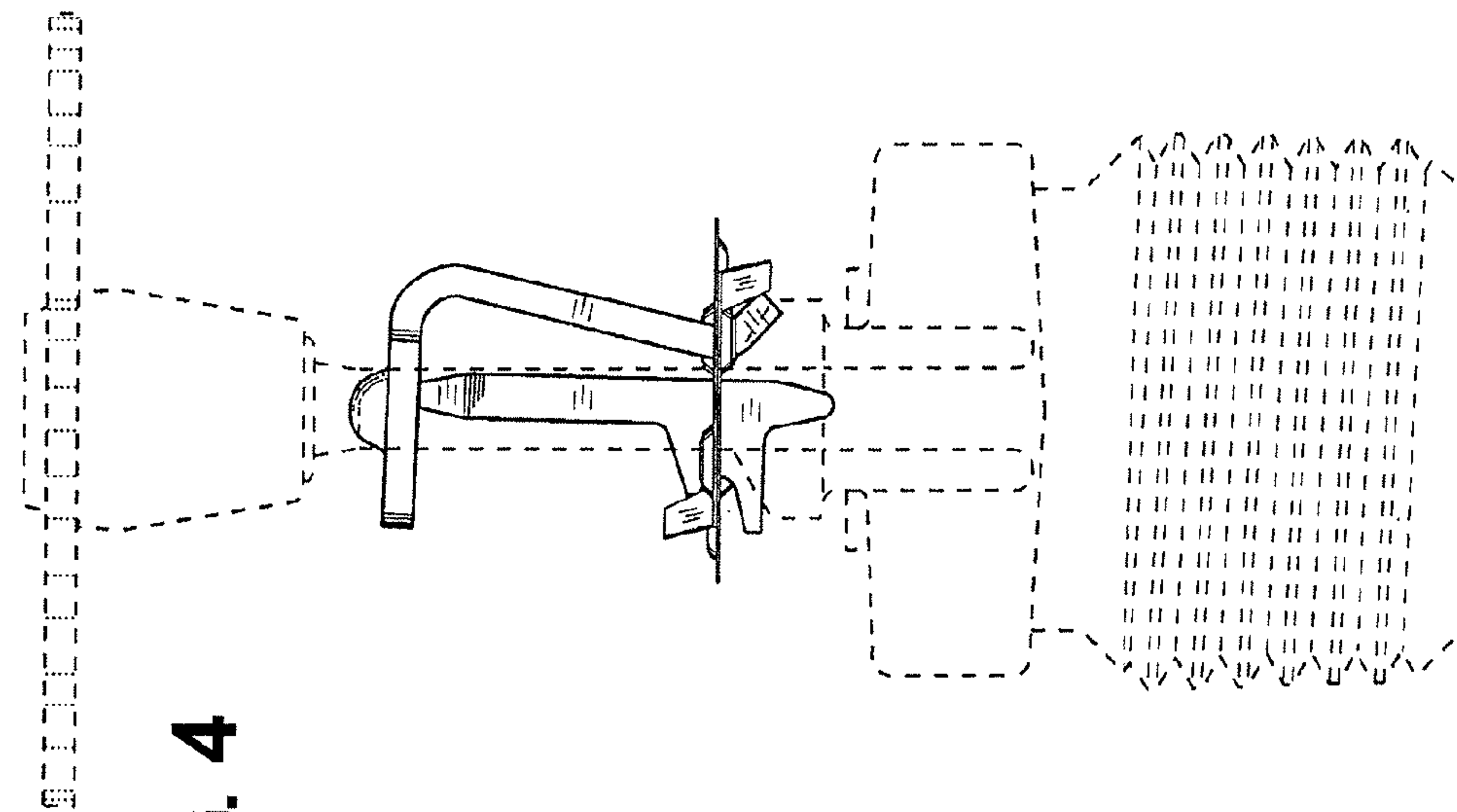


FIG. 4

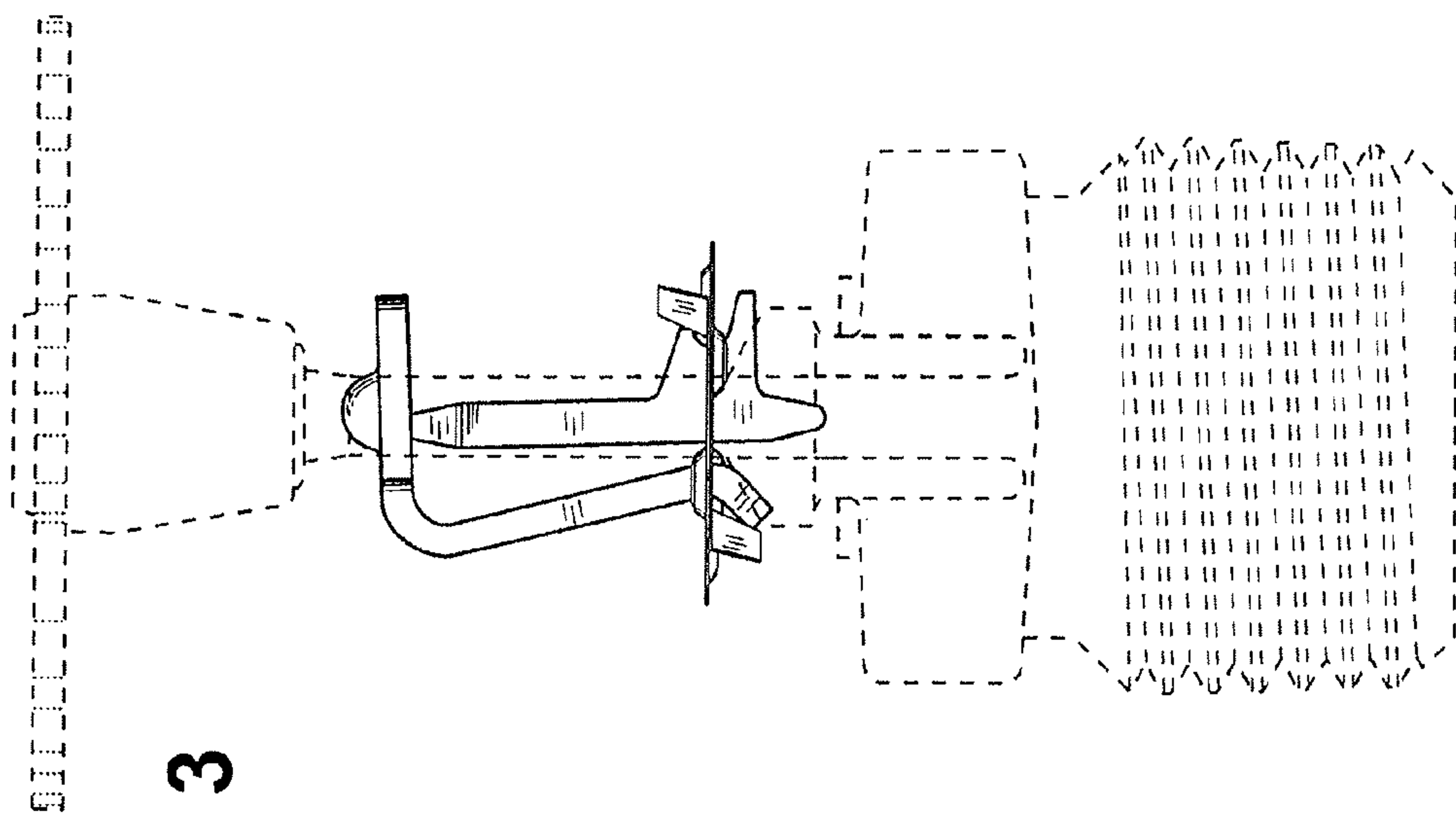


FIG. 3

FIG. 6

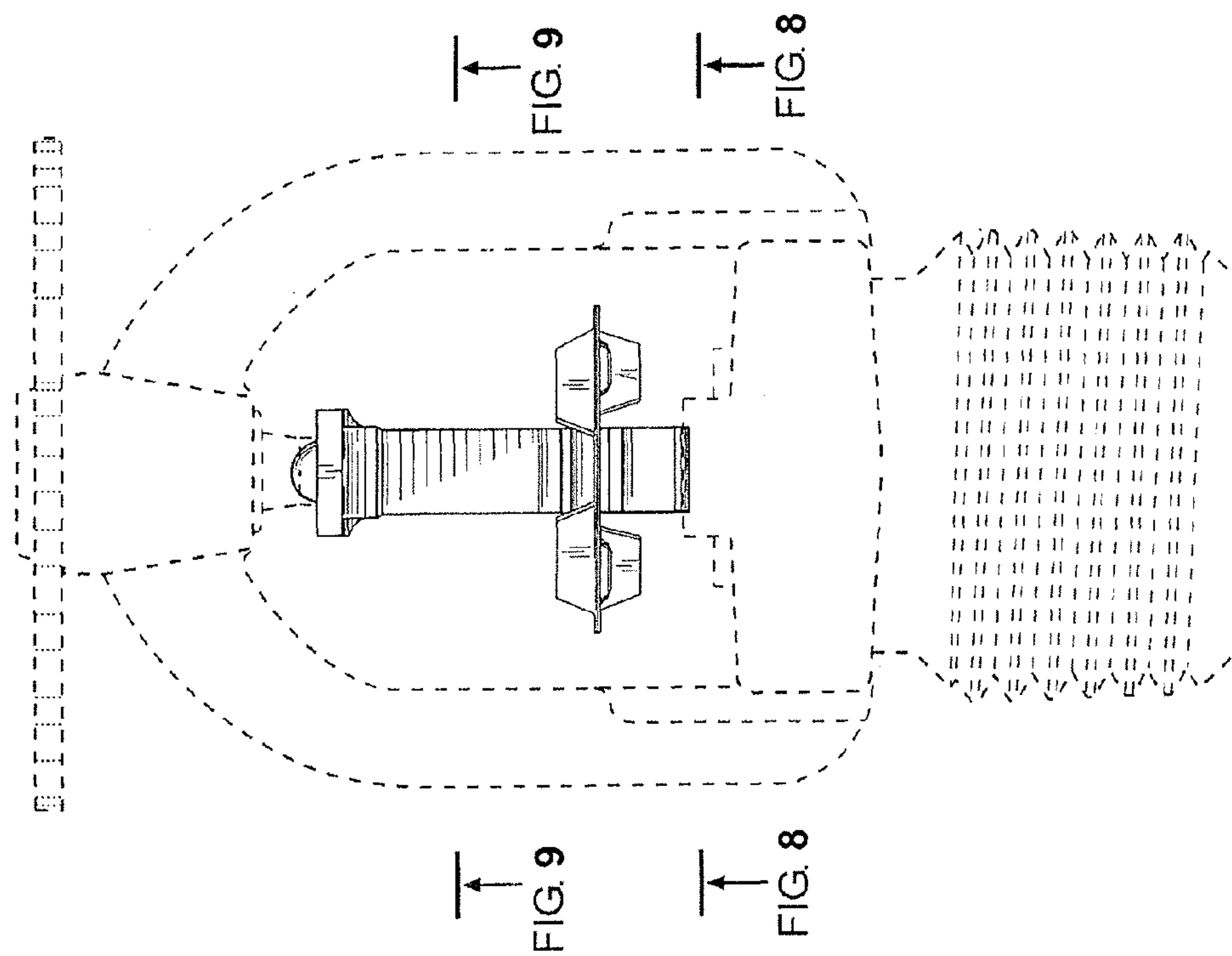
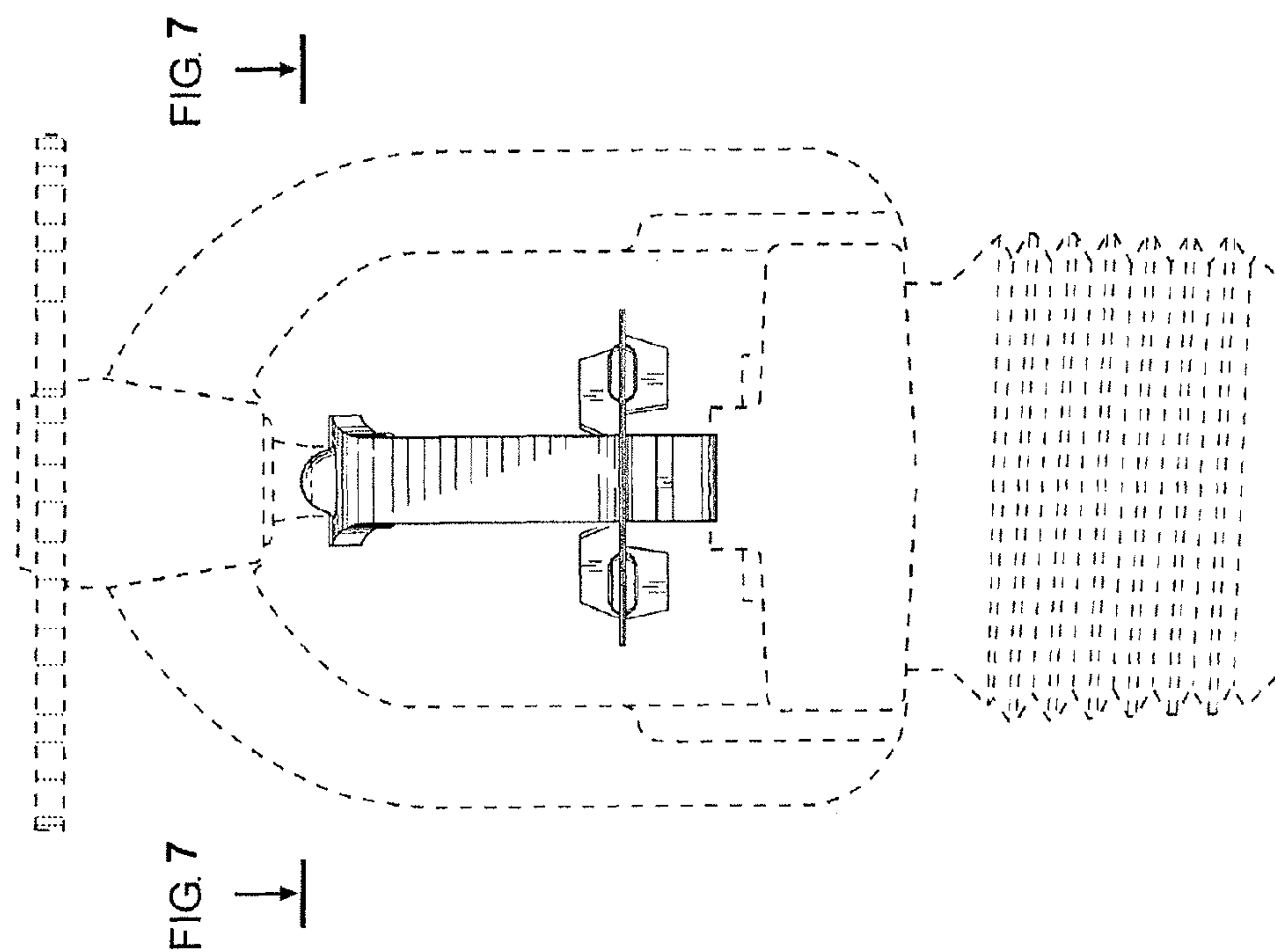


FIG. 5





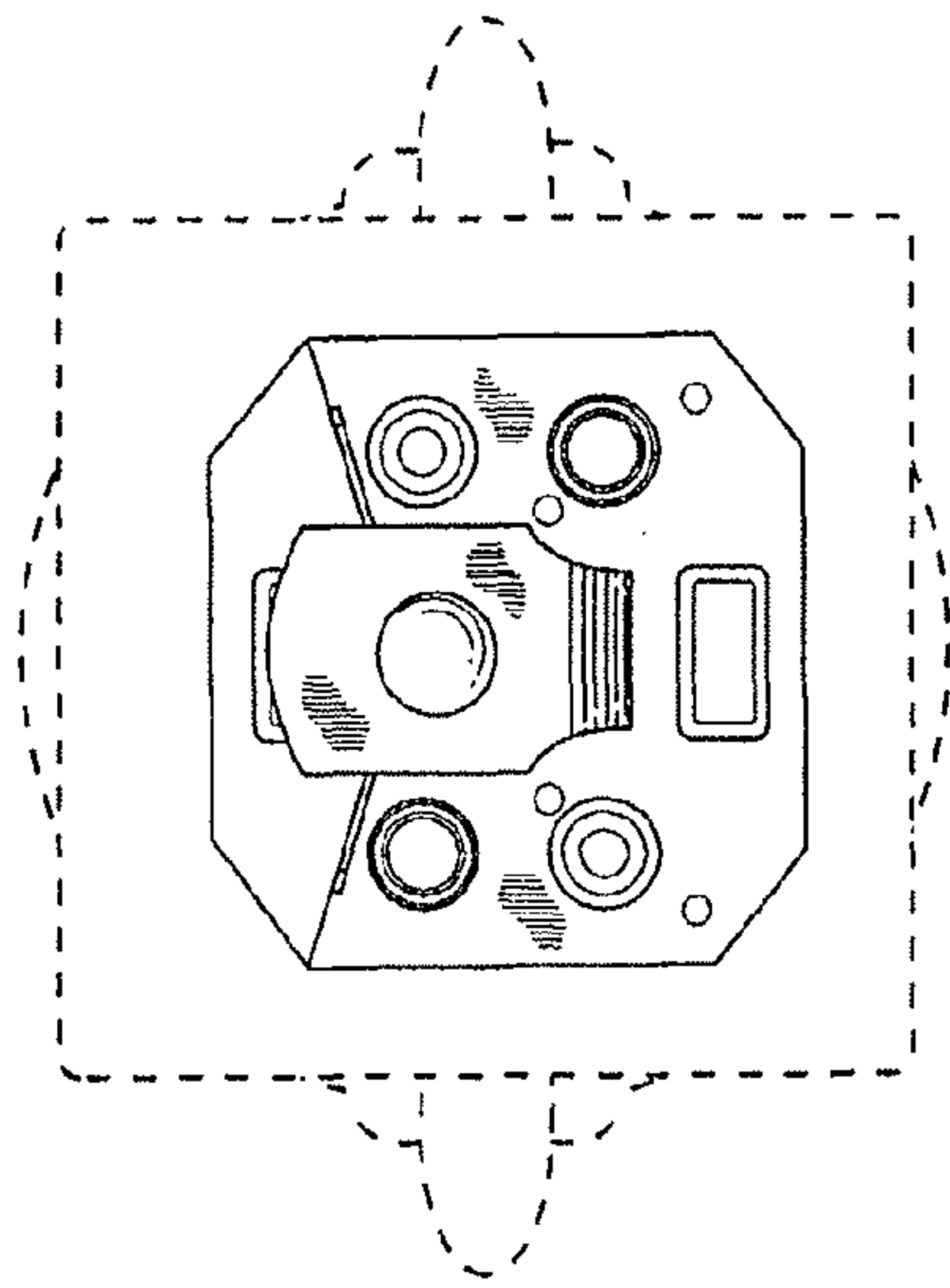


FIG. 7

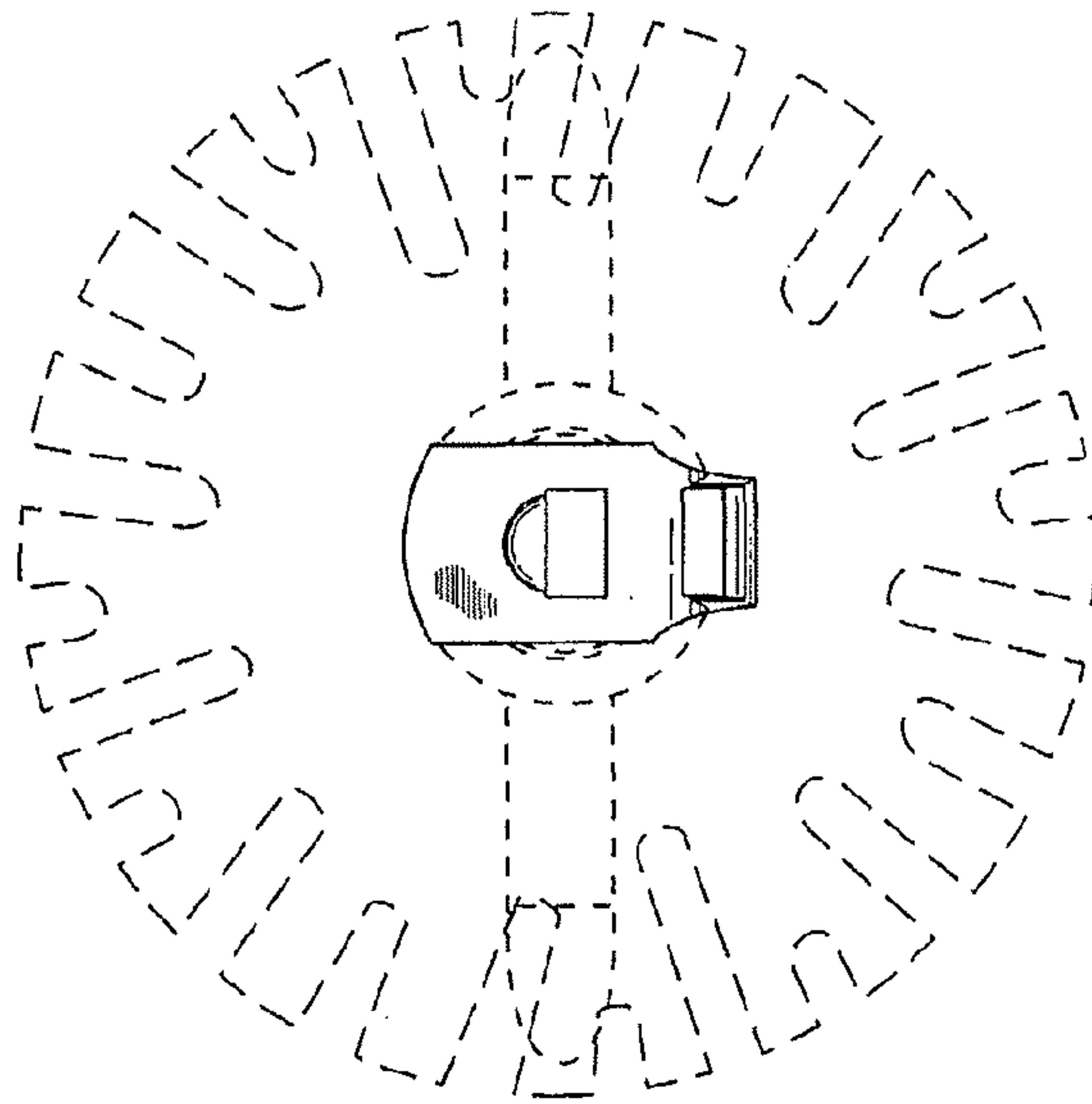


FIG. 9

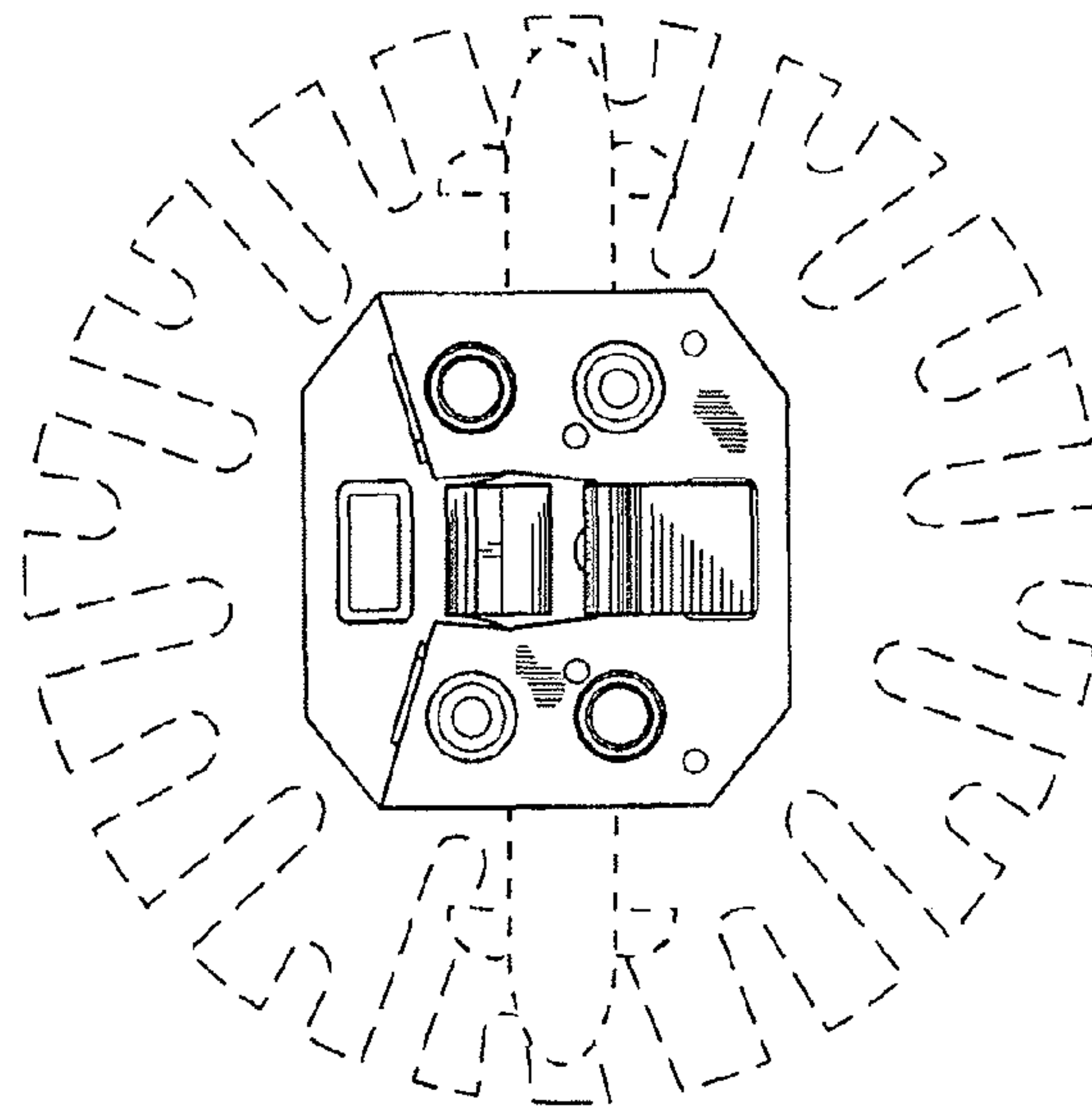


FIG. 8

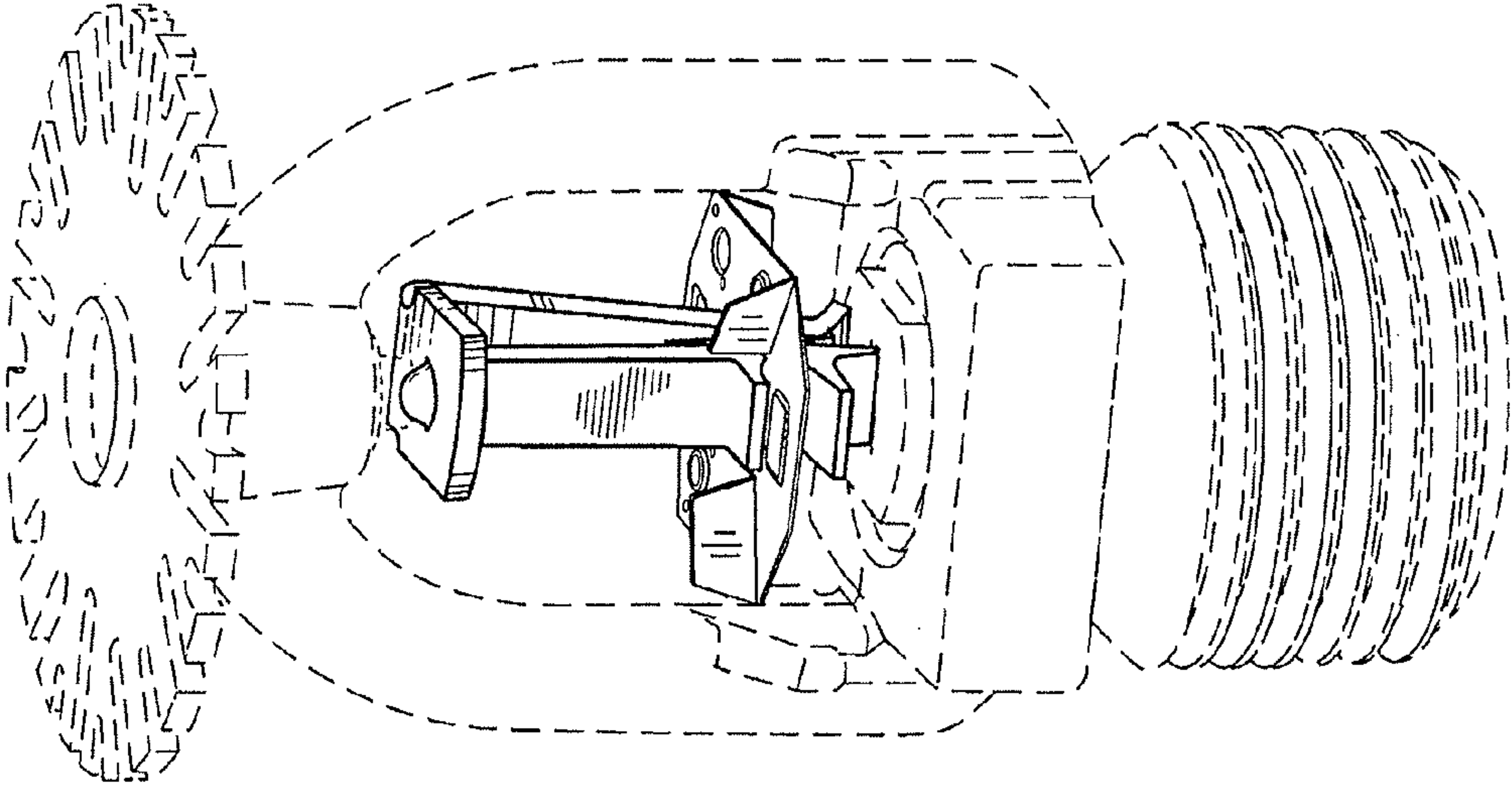


FIG. 11

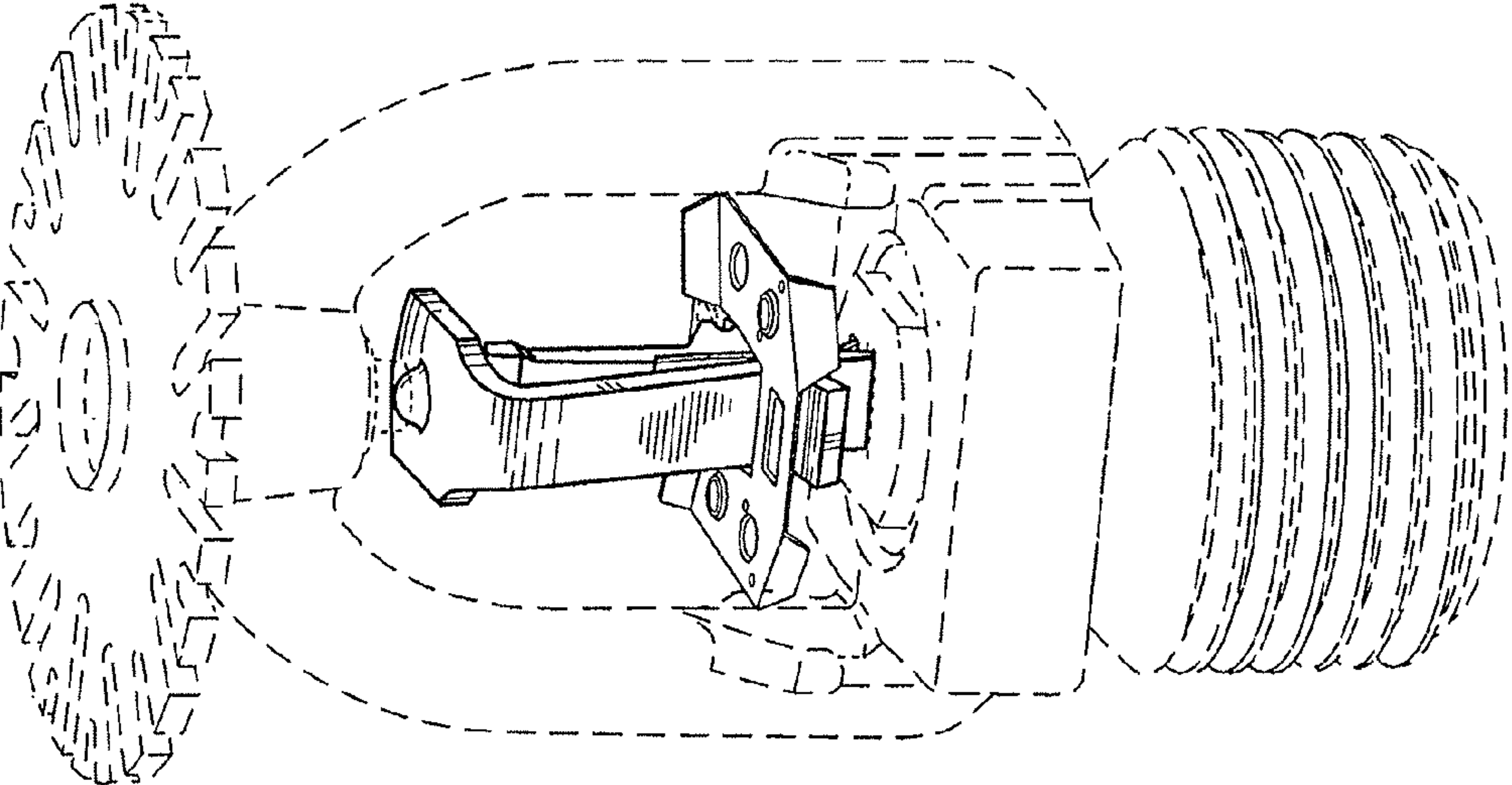


FIG. 10

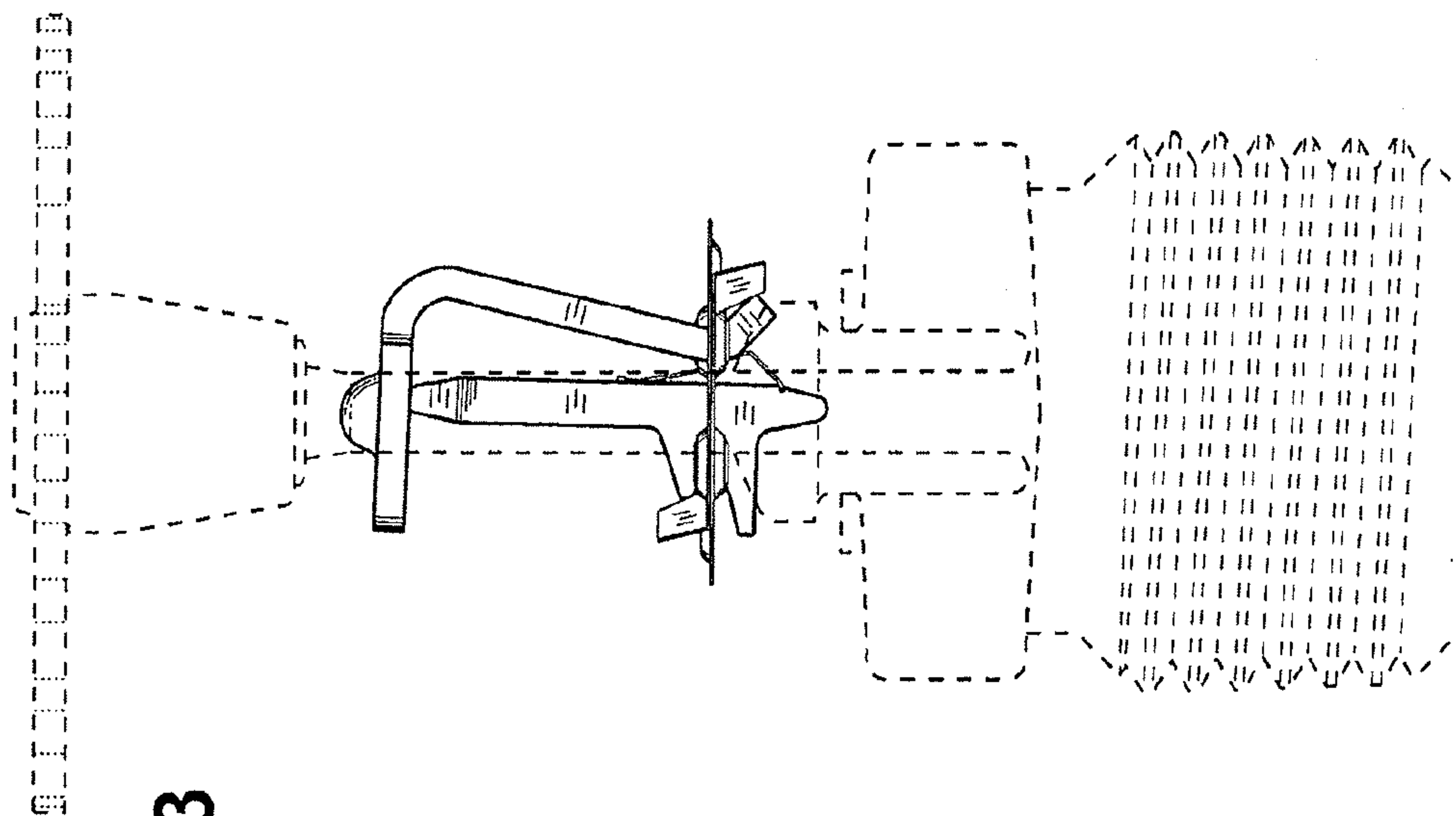


FIG. 13

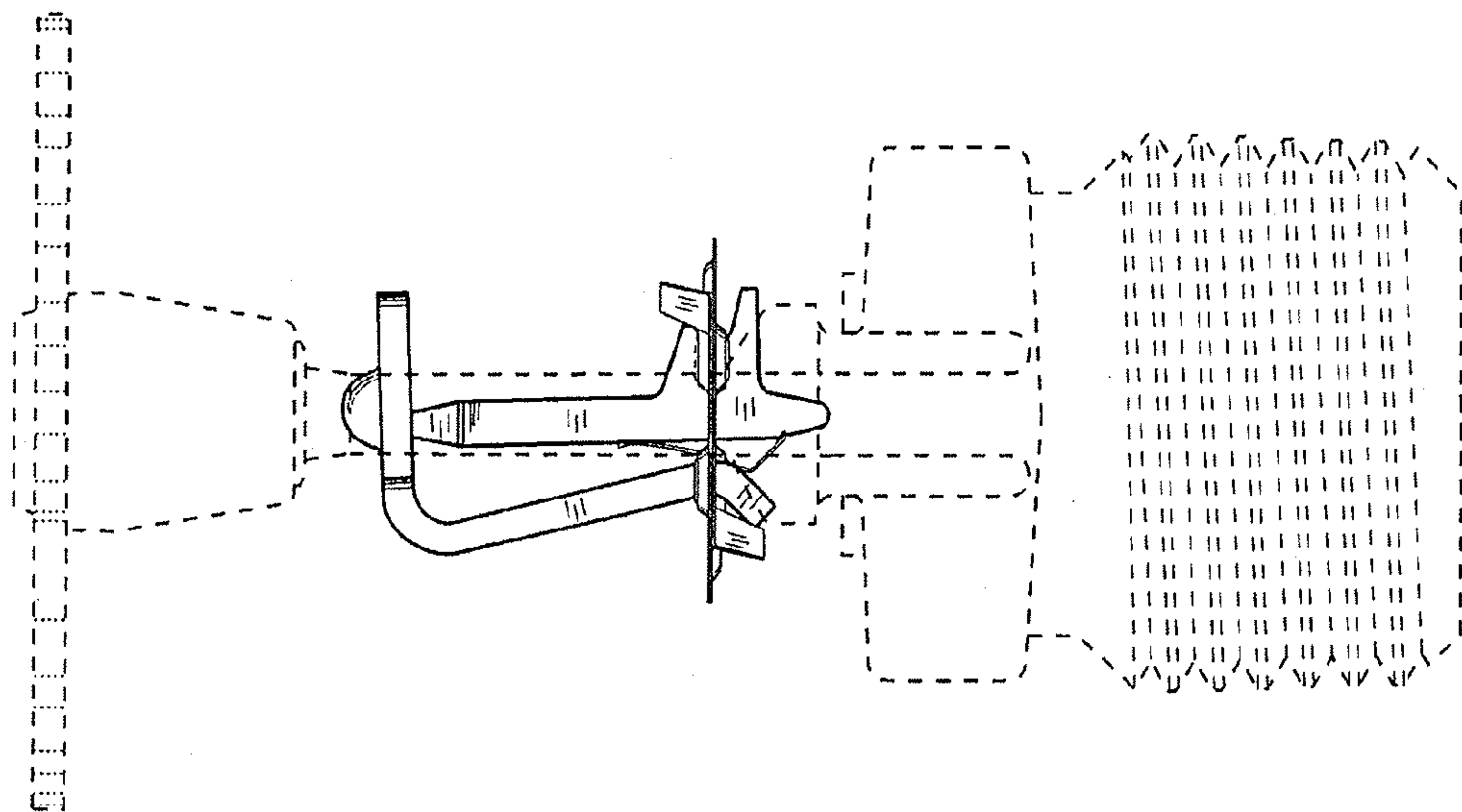


FIG. 12

FIG. 14

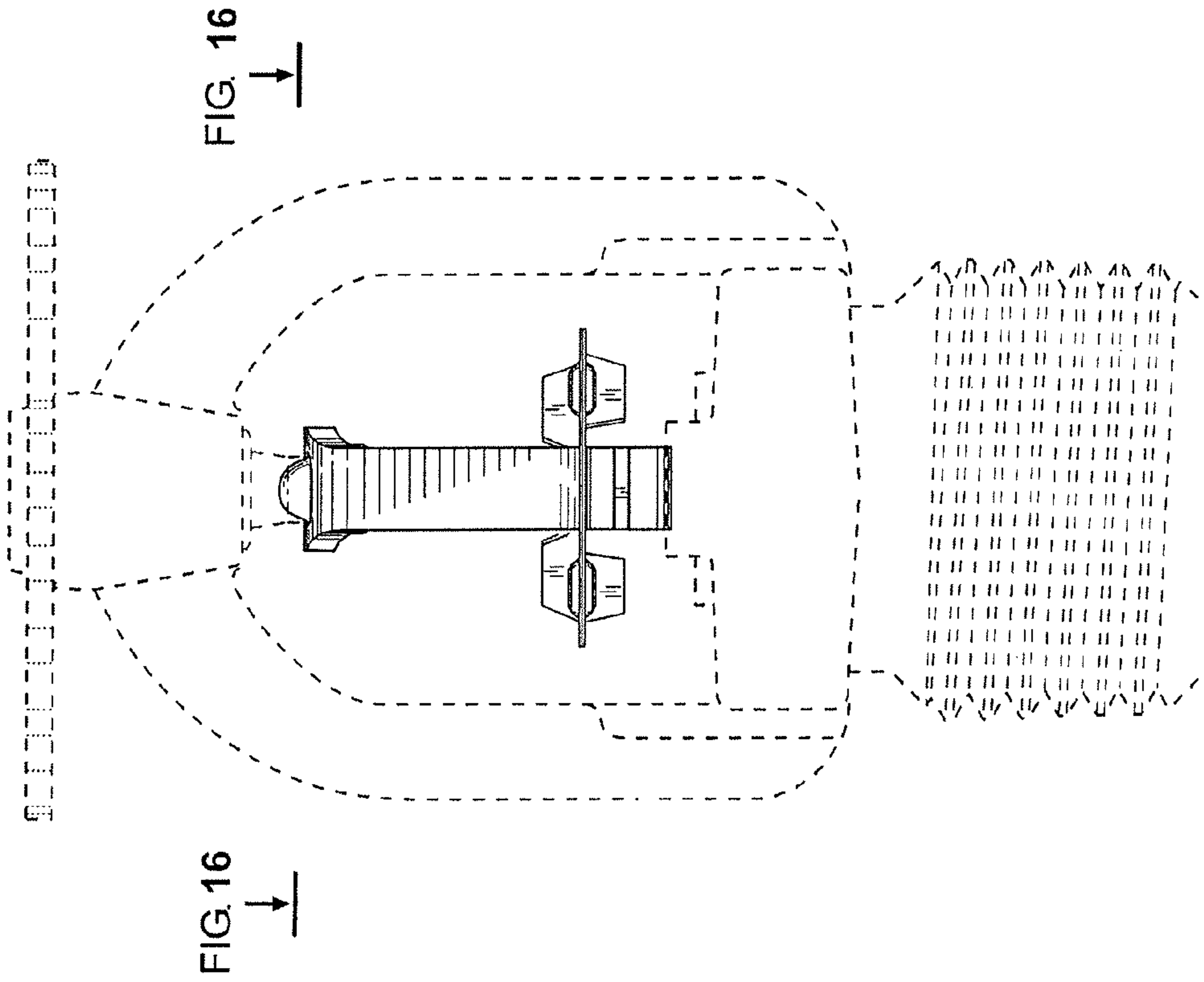
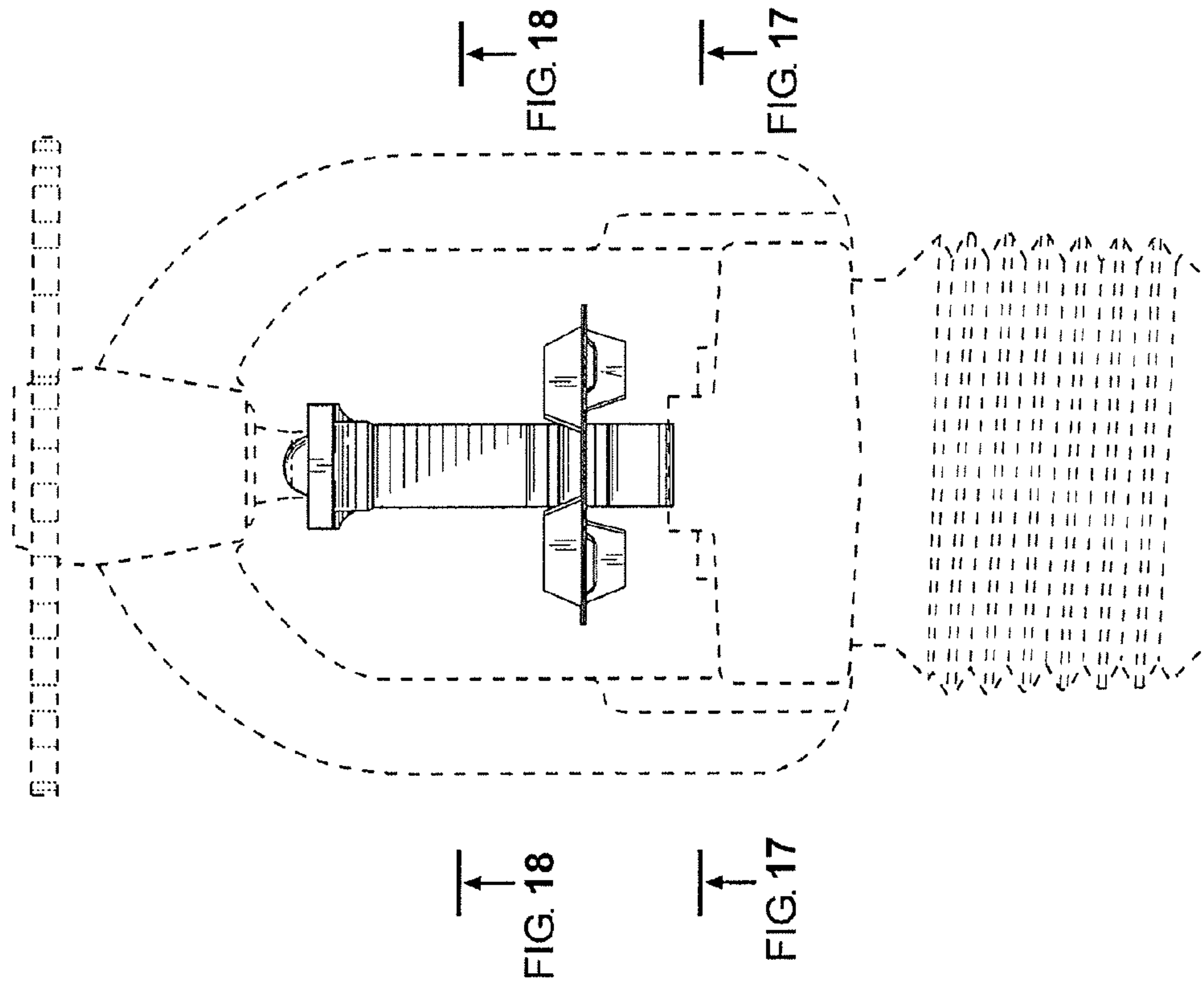


FIG. 15





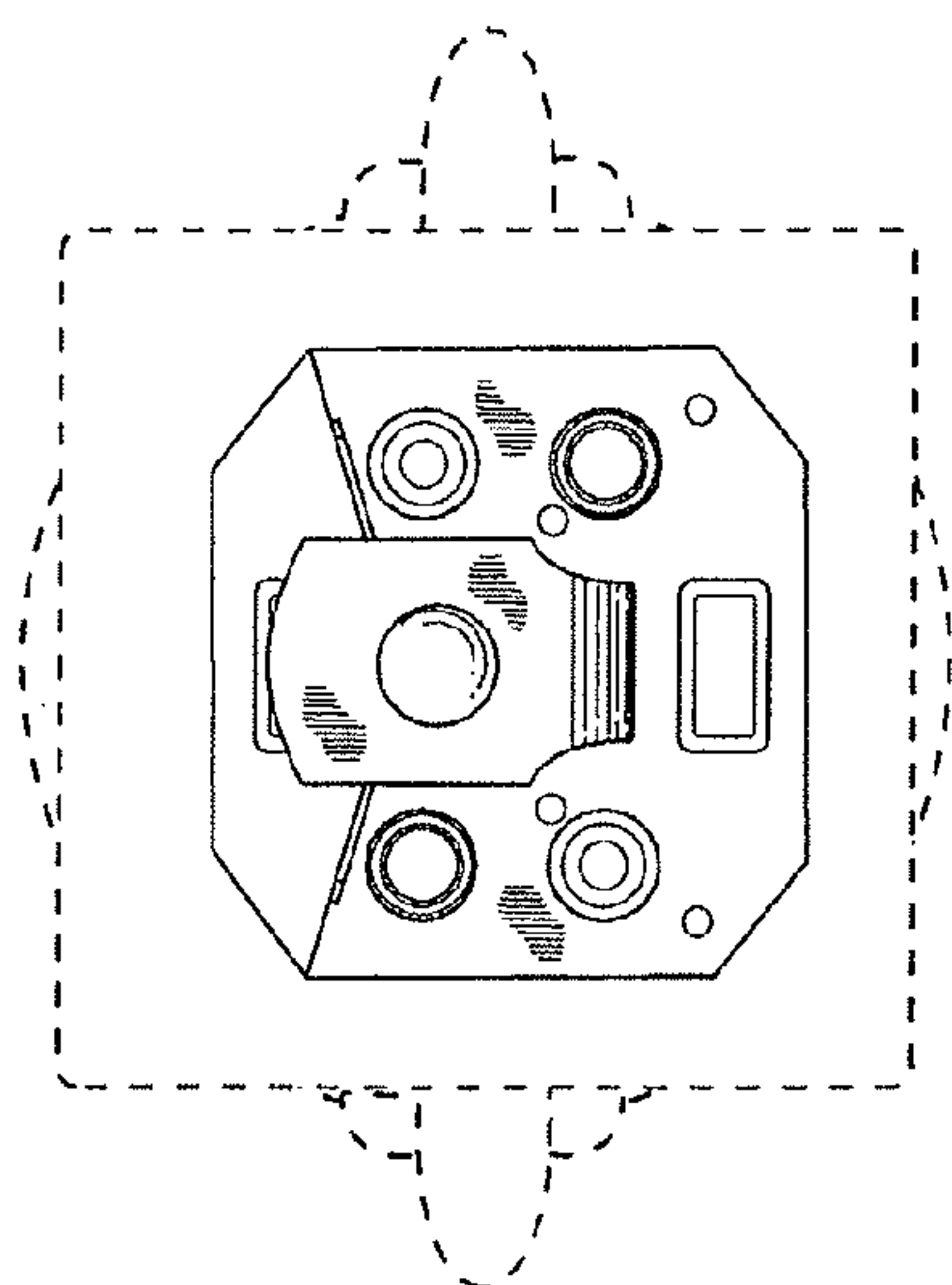


FIG. 16

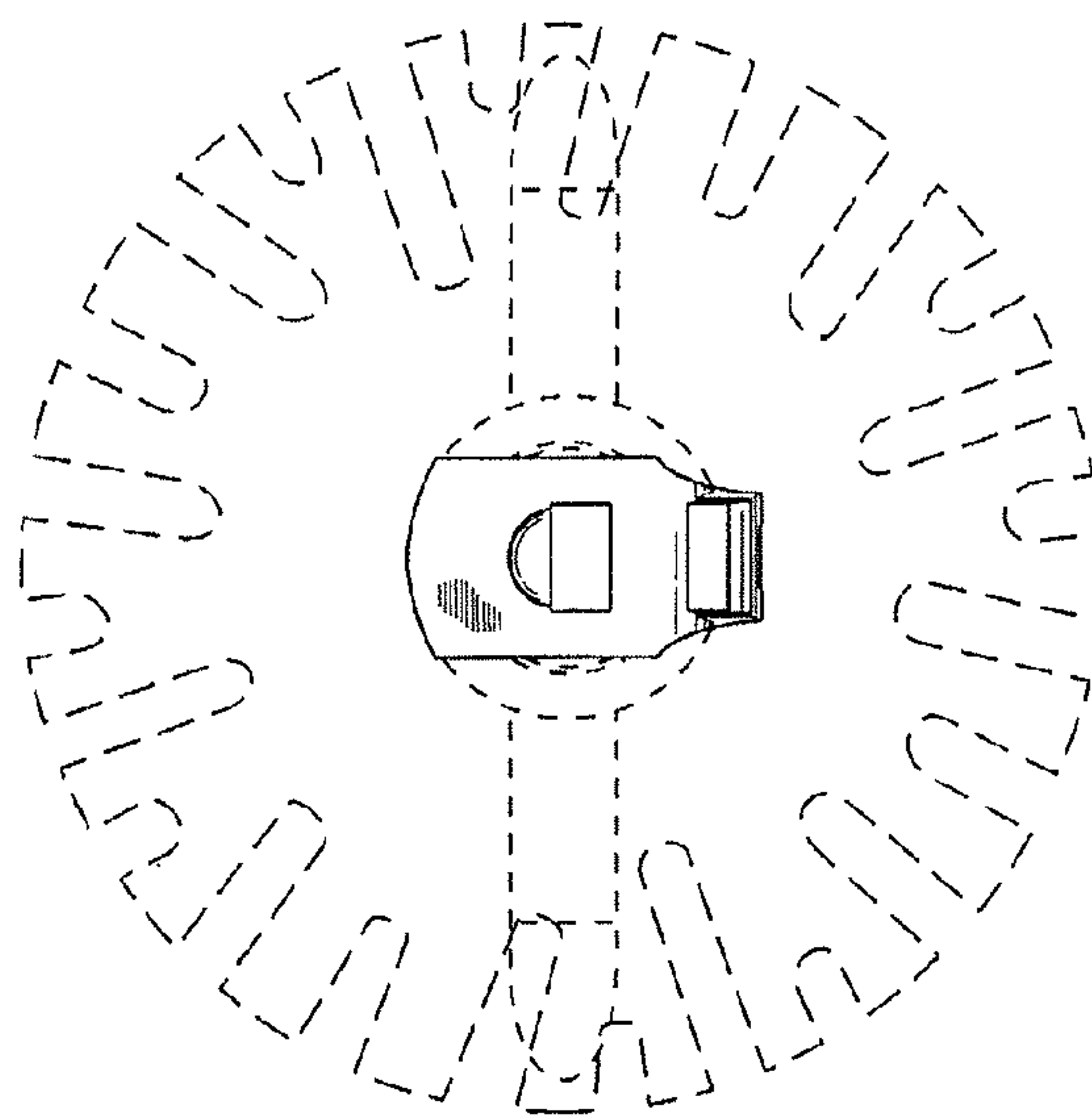


FIG. 18

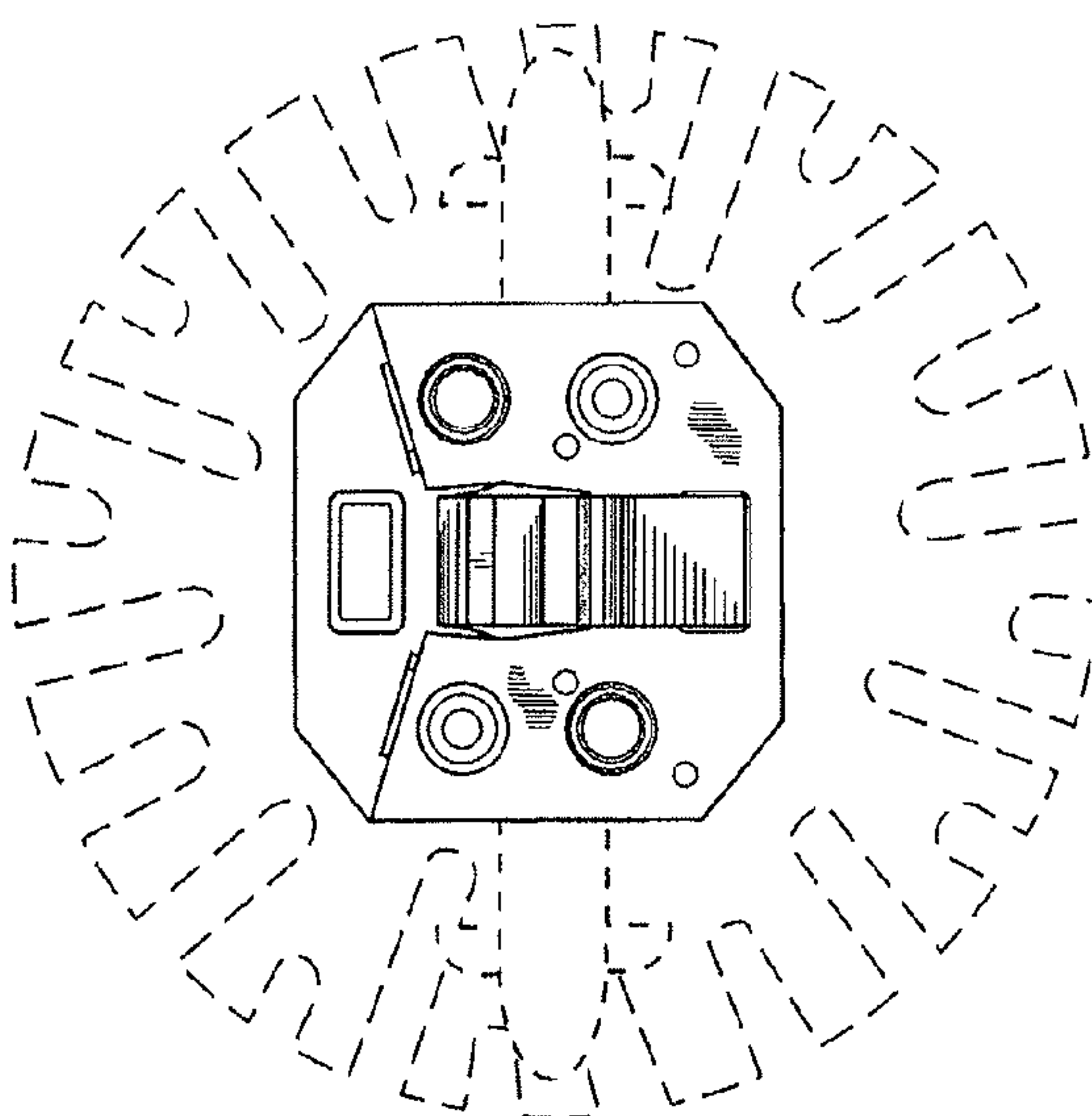


FIG. 17