



US00D667078S

(12) **United States Design Patent**
Rodney

(10) **Patent No.:** **US D667,078 S**

(45) **Date of Patent:** **** Sep. 11, 2012**

(54) **SHOWER HEAD**

(76) Inventor: **Andrew Rodney**, Cambria Heights, NY
(US)

(**) Term: **14 Years**

(21) Appl. No.: **29/402,917**

(22) Filed: **Sep. 29, 2011**

(51) **LOC (9) Cl.** **23-01**

(52) **U.S. Cl.** **D23/213; D23/229**

(58) **Field of Classification Search** D23/213,
D23/223, 229, 230; 239/282, 283, 462, 394;
4/615

See application file for complete search history.

(56) **References Cited**

U.S. PATENT DOCUMENTS

D186,757	S	*	11/1959	Hruby et al.	D23/230
D235,873	S	*	7/1975	Pitman	D23/229
D245,618	S	*	8/1977	Pitman	D23/229
5,160,197	A		11/1992	Klose		
D410,732	S	*	6/1999	Gottwald	D23/229
6,892,952	B2		5/2005	Chang et al.		
D541,904	S	*	5/2007	Dingler et al.	D23/229
D545,403	S	*	6/2007	Kemp	D23/255

D548,817	S	*	8/2007	Dingler et al.	D23/229
D560,756	S	*	1/2008	Tse	D23/229
D617,414	S	*	6/2010	Sofield	D23/213
7,818,830	B2		10/2010	Thorne et al.		
D636,849	S	*	4/2011	Yoo et al.	D23/229
D646,353	S	*	10/2011	Yoo et al.	D23/229
D652,115	S	*	1/2012	Wang et al.	D23/229
2006/0045167	A1		3/2006	Pawlenko et al.		
2009/0293189	A1		12/2009	Somerville		

* cited by examiner

Primary Examiner — Robin V Webster

(57) **CLAIM**

The ornamental design for a shower head, as shown and described.

DESCRIPTION

FIG. 1 is a right elevation view of a shower head showing my new design;

FIG. 2 is a left elevation view thereof;

FIG. 3 is a front elevation view thereof;

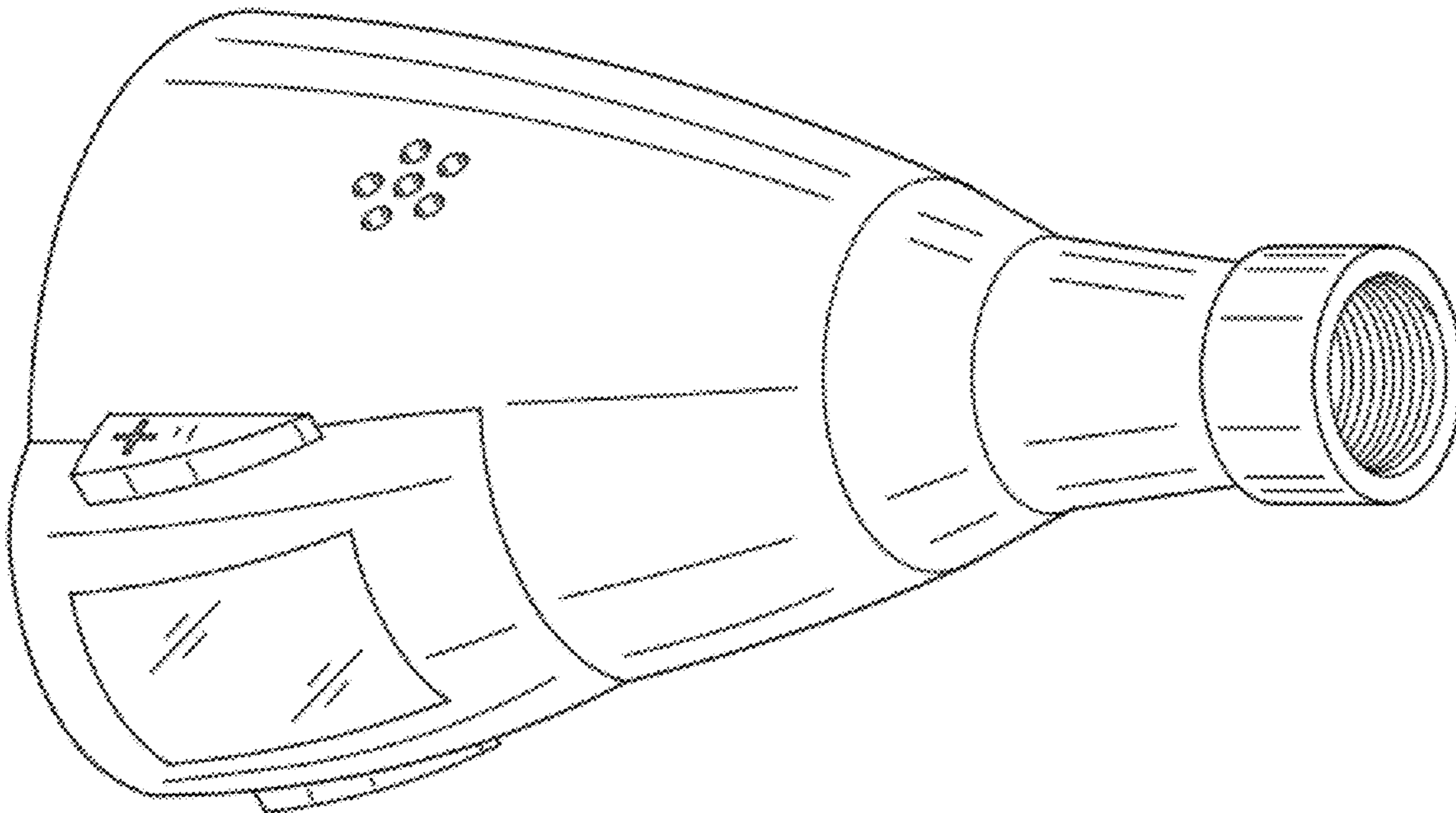
FIG. 4 is a rear elevation view thereof;

FIG. 5 is a top plan view thereof;

FIG. 6 is a bottom plan view thereof; and,

FIG. 7 is an isometric view thereof.

1 Claim, 4 Drawing Sheets



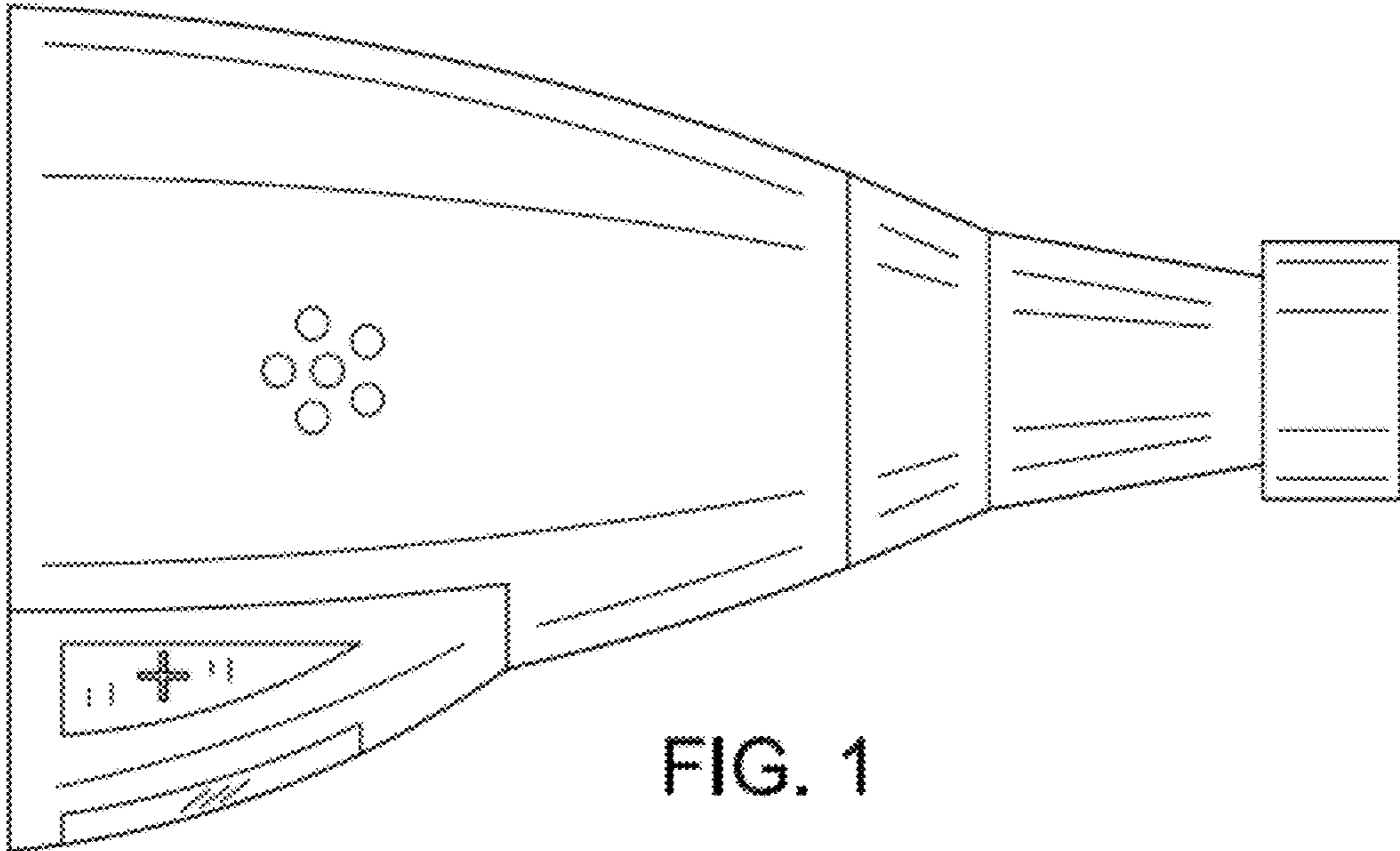


FIG. 1

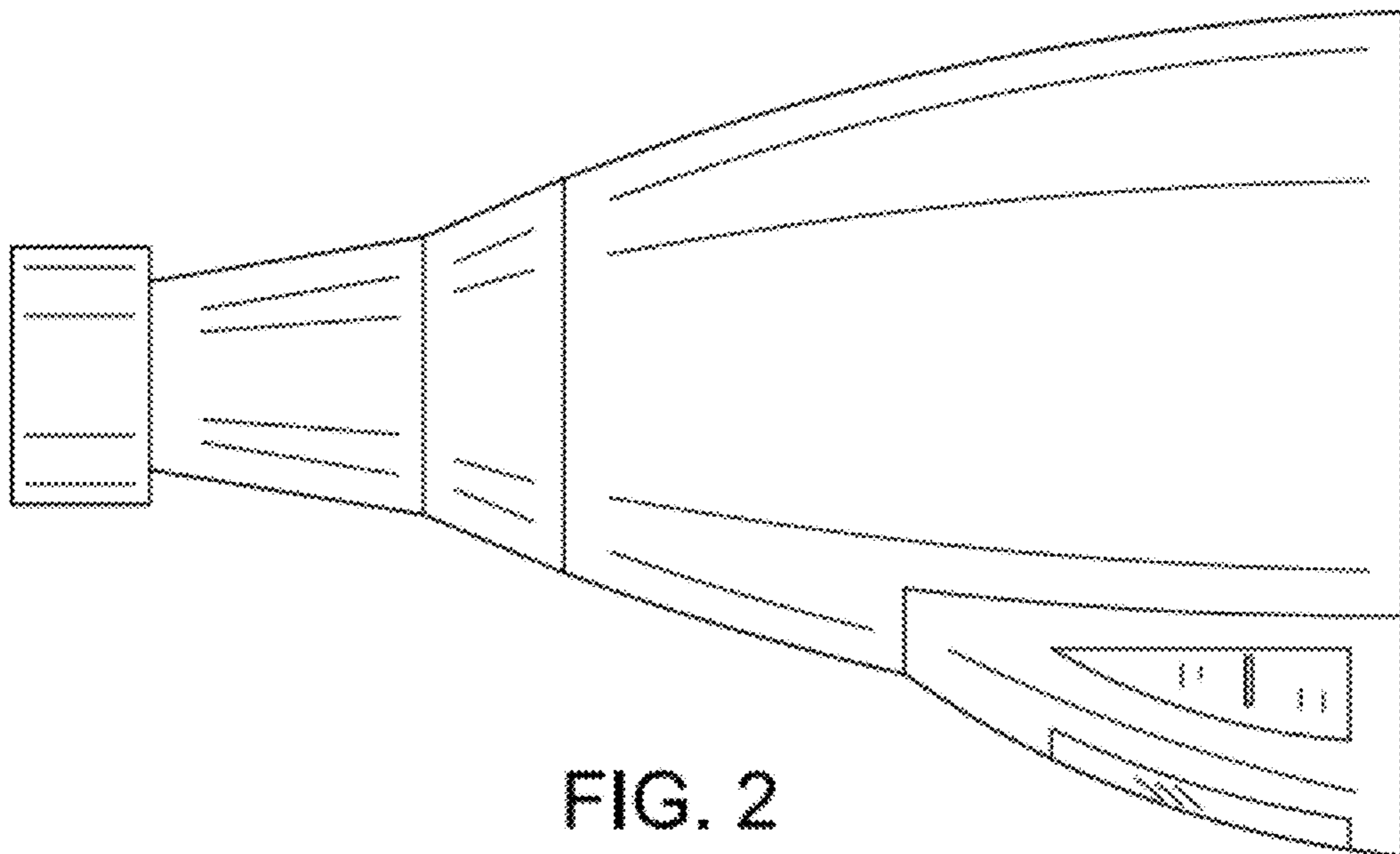


FIG. 2

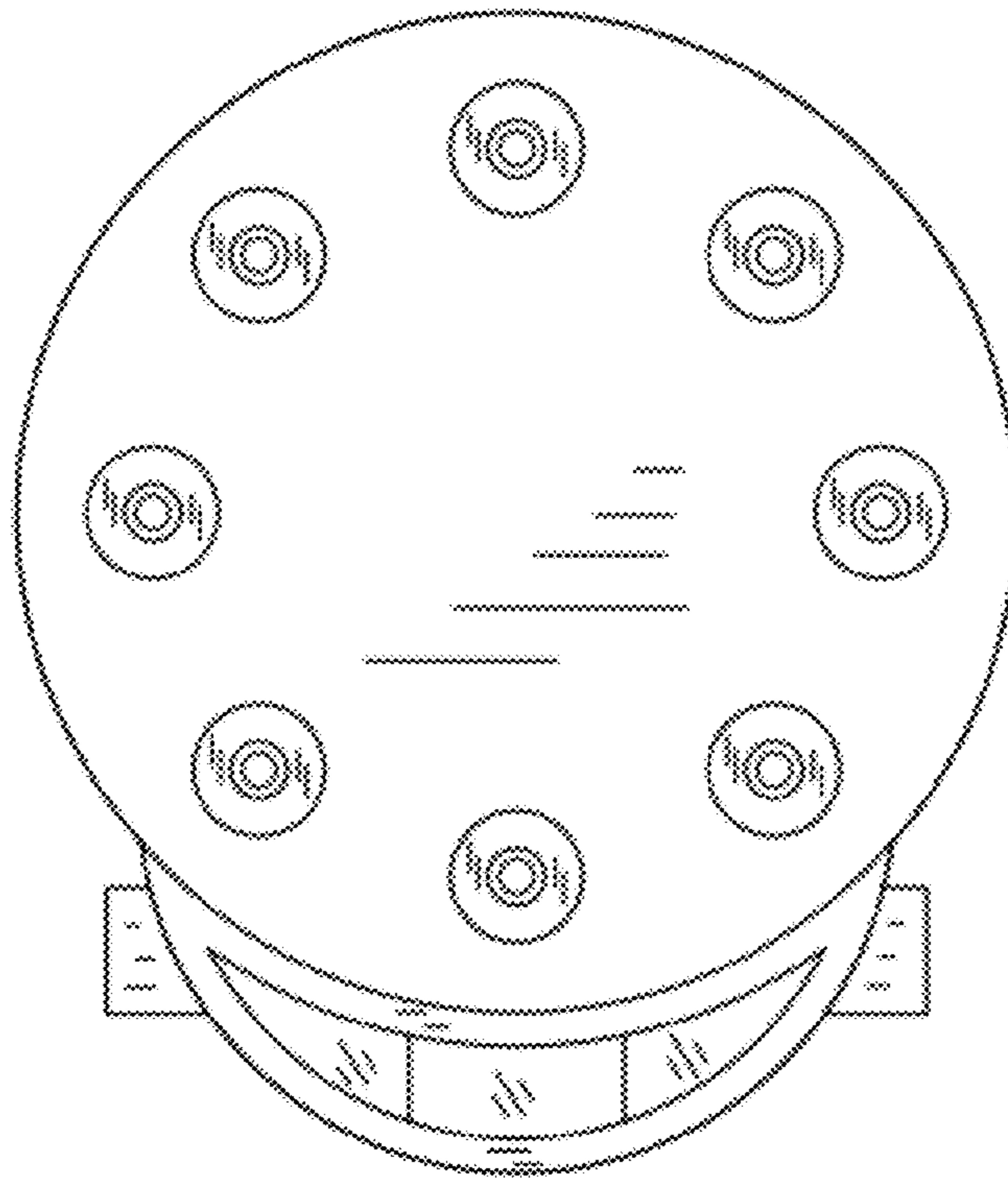


FIG. 3

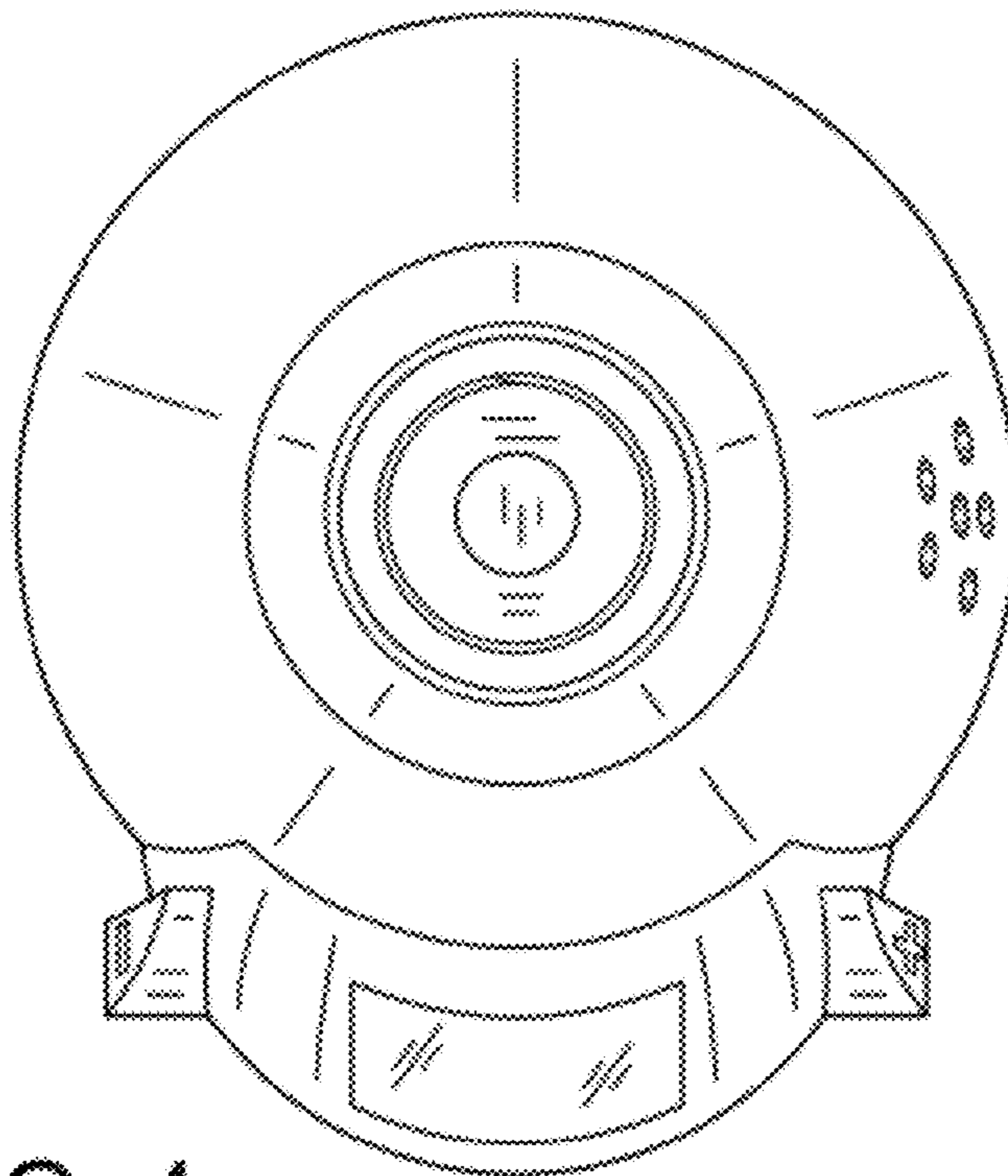


FIG. 4

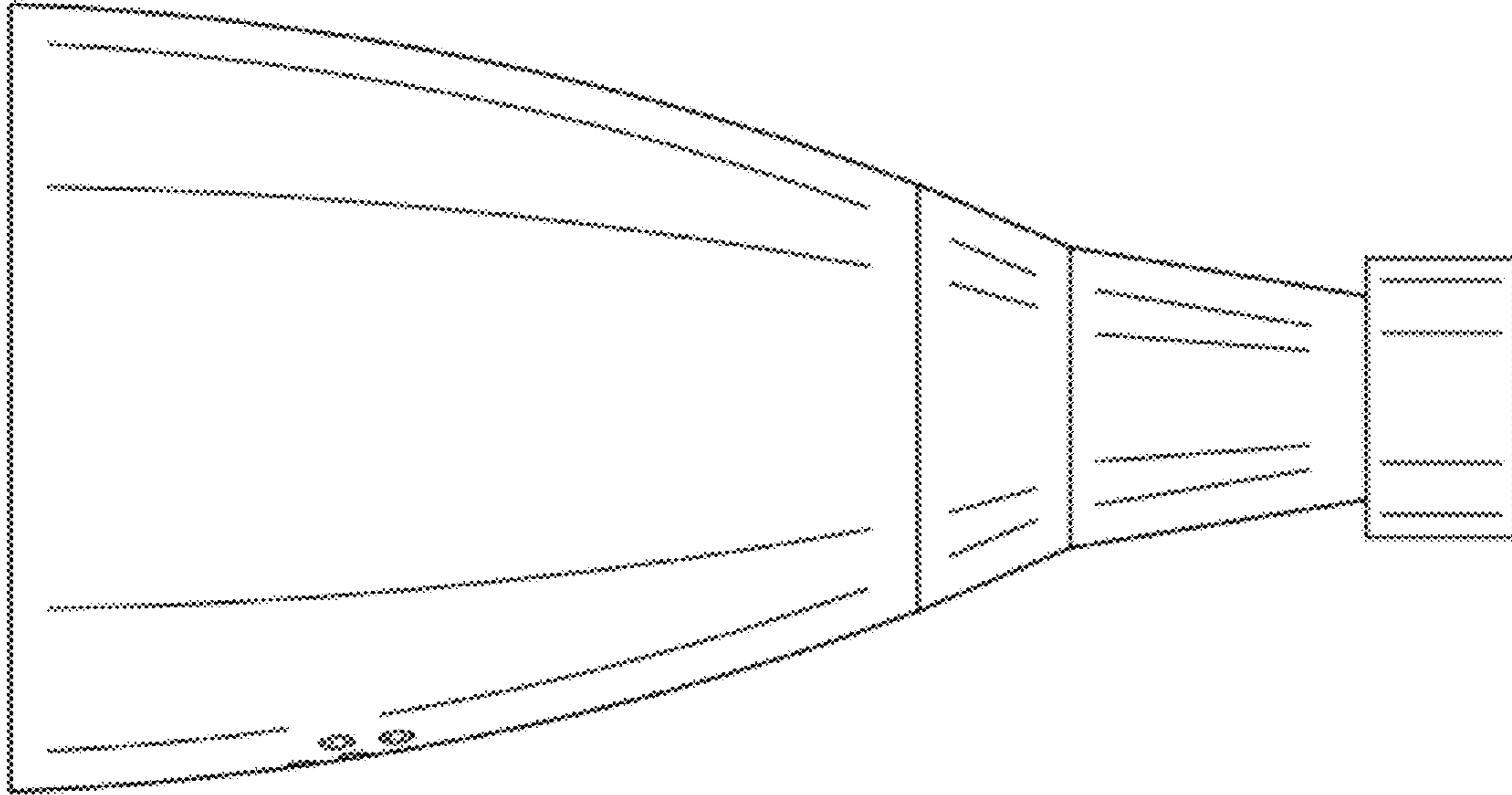


FIG. 5

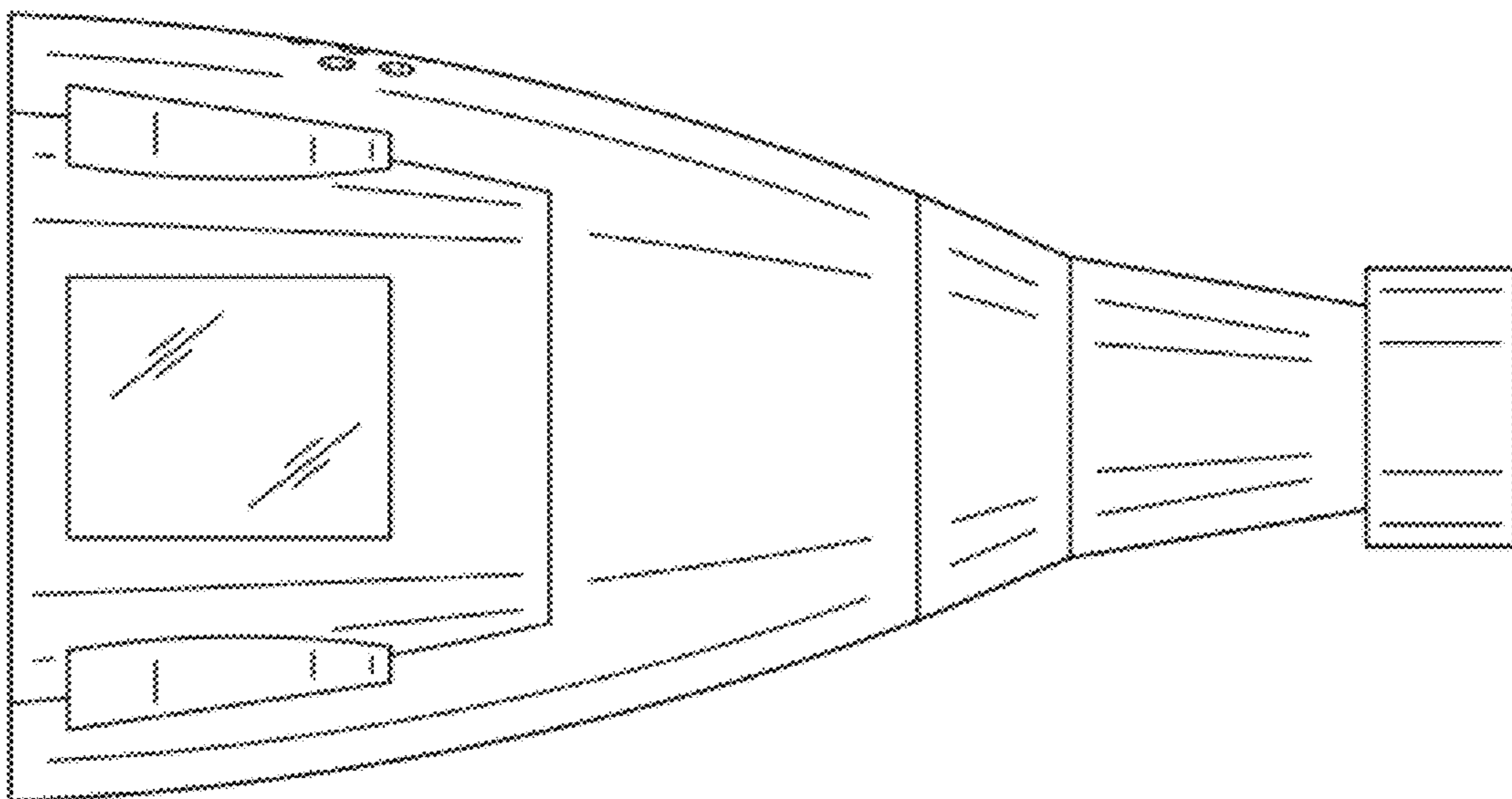


FIG. 6

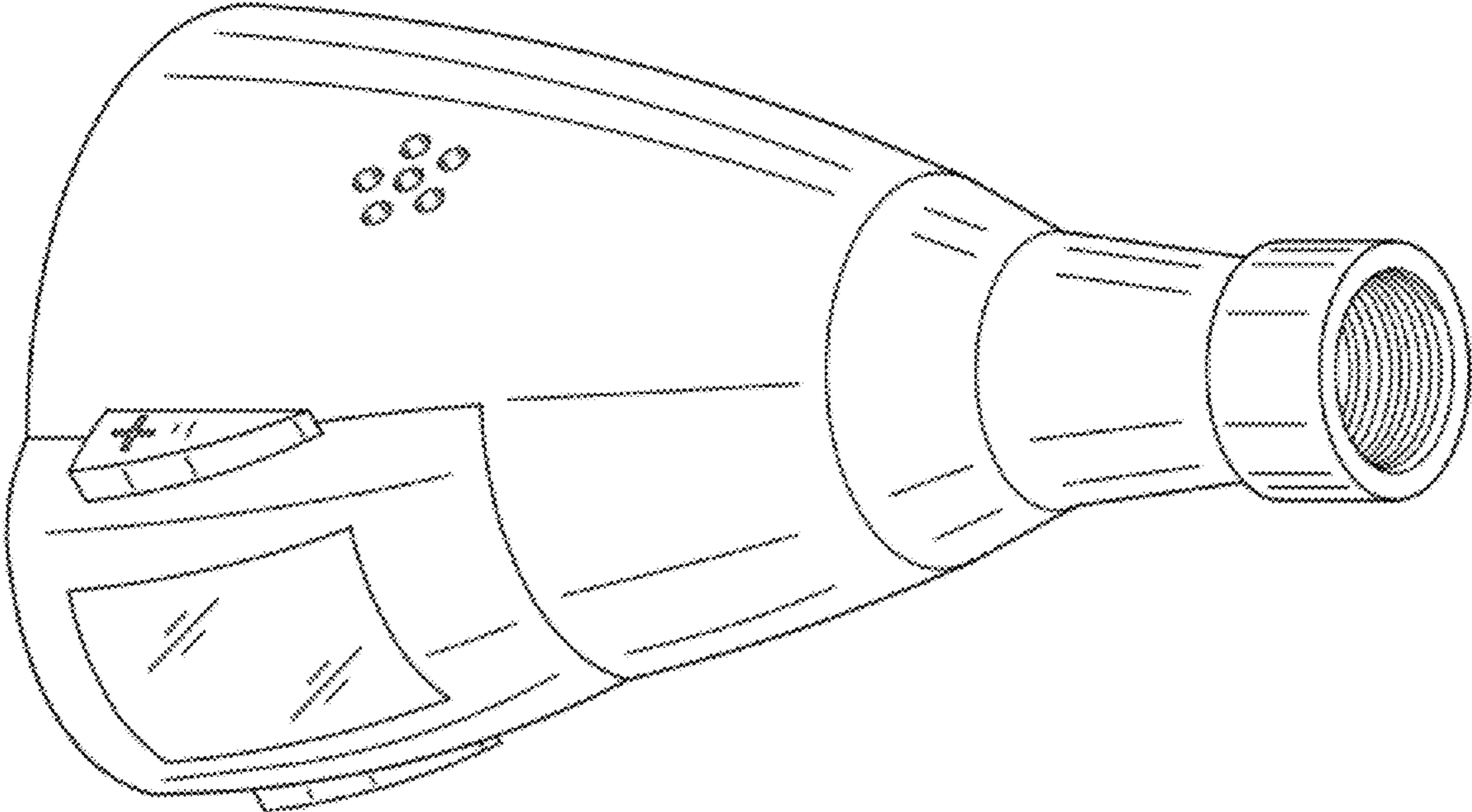


FIG. 7