

US00D667077S

(12) **United States Design Patent**
Stanley et al.

(10) **Patent No.:** **US D667,077 S**

(45) **Date of Patent:** **** Sep. 11, 2012**

(54) **SHOWER FILTER**

(75) Inventors: **Ronald E. Stanley**, New Smyrna Beach, FL (US); **Richie E. Stanley**, New Smyrna, FL (US); **Chad C. Galloway**, New Smyrna, FL (US)

(73) Assignee: **Enviro Water Solutions, Inc.**, Deland, FL (US)

(**) Term: **14 Years**

(21) Appl. No.: **29/409,028**

(22) Filed: **Dec. 20, 2011**

(51) **LOC (9) Cl.** **23-01**

(52) **U.S. Cl.** **D23/209**

(58) **Field of Classification Search** D23/228,
D23/207, 209; 210/446-449

See application file for complete search history.

(56) **References Cited**

U.S. PATENT DOCUMENTS

D316,136	S	*	4/1991	Underwood	D23/228
5,008,011	A	*	4/1991	Underwood	210/232
5,152,464	A	*	10/1992	Farley	239/553.3
5,545,314	A	*	8/1996	Parise et al.	210/100

D406,874	S	*	3/1999	Farley	D23/209
6,267,887	B1	*	7/2001	Hughes et al.	210/266
D446,841	S	*	8/2001	Silva	D23/209
D462,108	S	*	8/2002	Farley	D23/209
6,599,428	B1	*	7/2003	Douglas	210/668
7,427,352	B2	*	9/2008	Naito	210/223

* cited by examiner

Primary Examiner — Robin V Webster

(74) *Attorney, Agent, or Firm* — Wood, Phillips, Katz, Clark & Mortimer

(57) **CLAIM**

The ornamental design for a shower filter, as shown and described.

DESCRIPTION

FIG. 1 is a perspective view from below and to the right front of the shower filter;

FIG. 2 is a front view of the shower filter;

FIG. 3 is a back view of the shower filter;

FIG. 4 is a left side view of the shower filter;

FIG. 5 is a right side view of the shower filter;

FIG. 6 is a bottom view of the shower filter; and,

FIG. 7 is a top view of the shower filter.

1 Claim, 4 Drawing Sheets

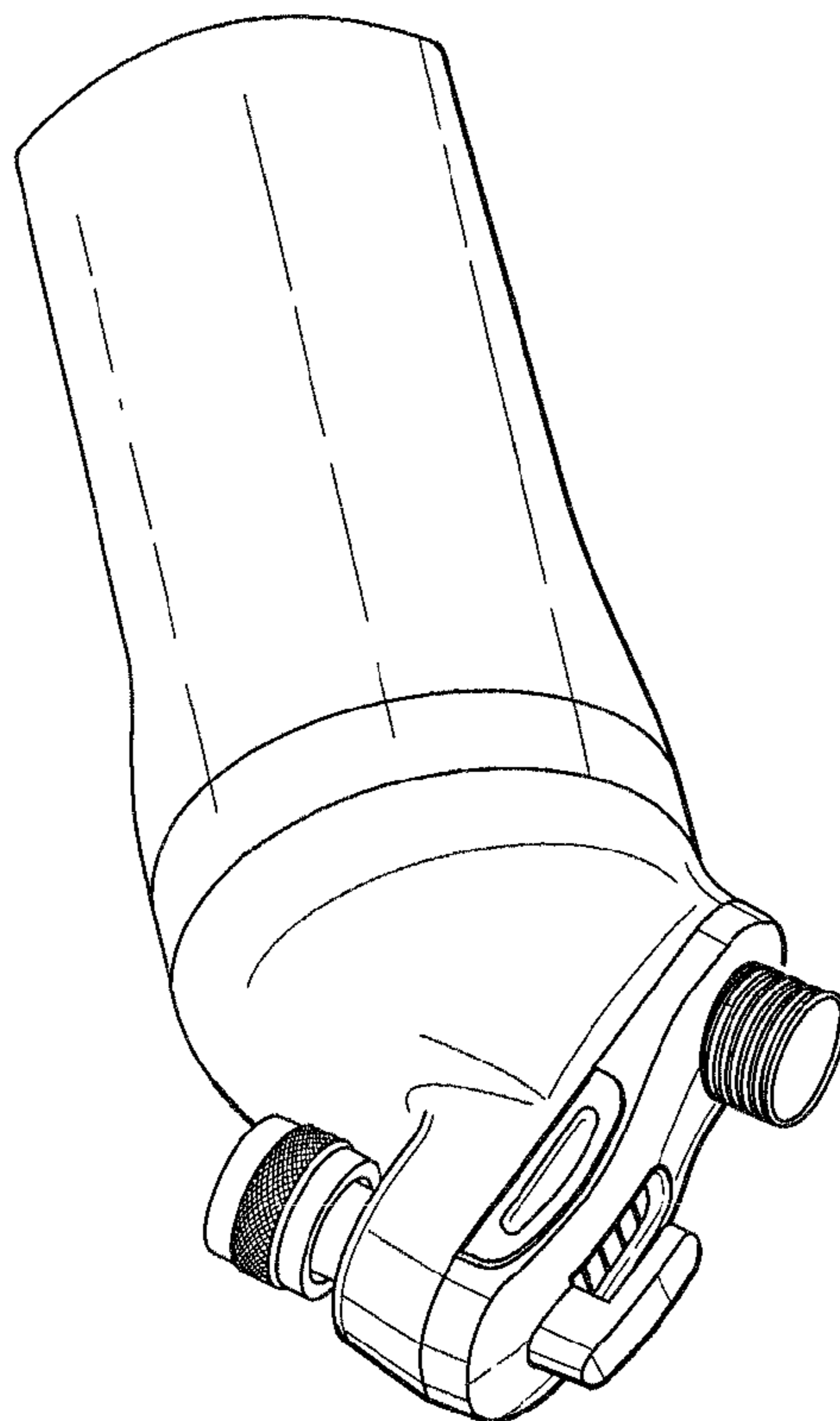


Fig. 1

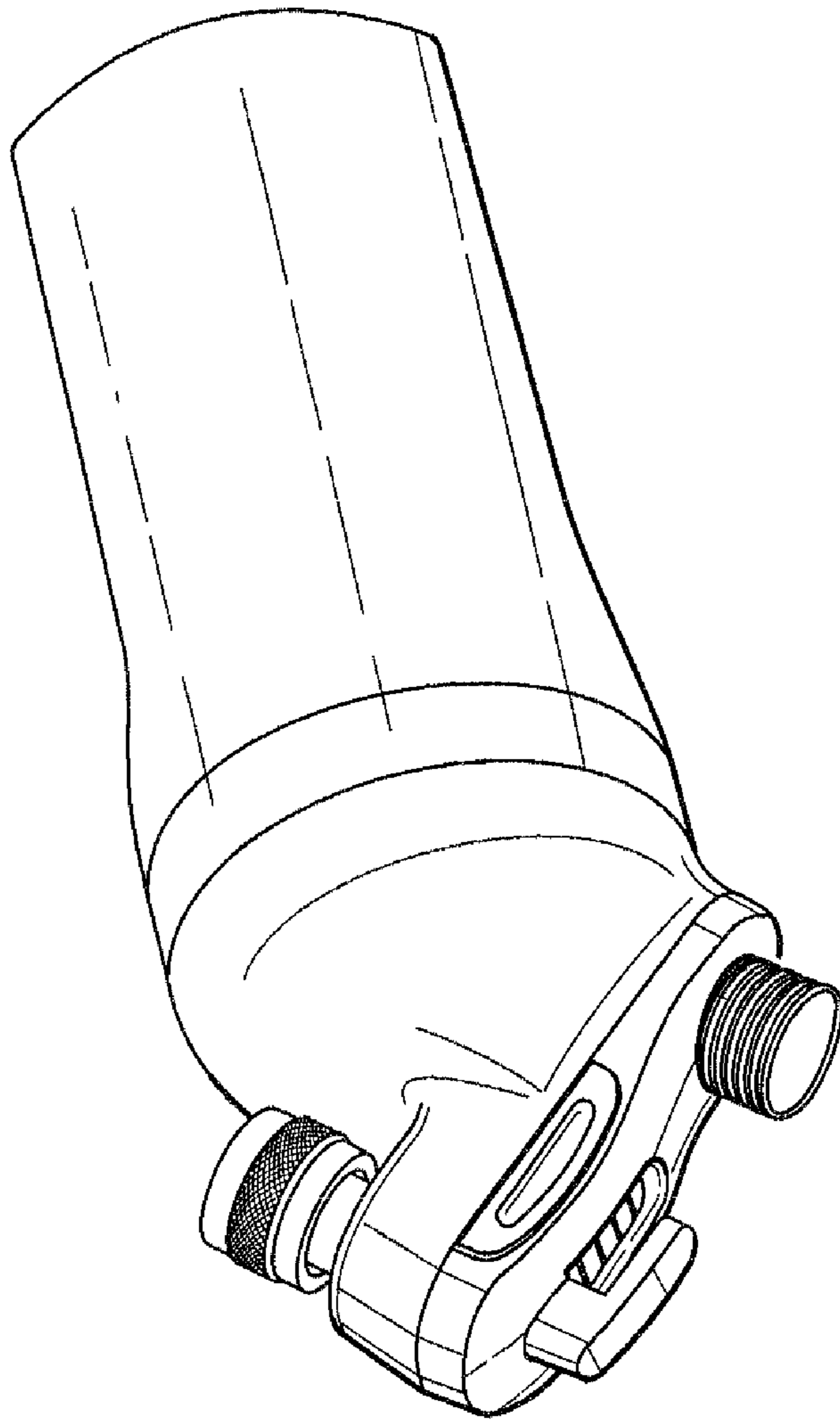


Fig. 2

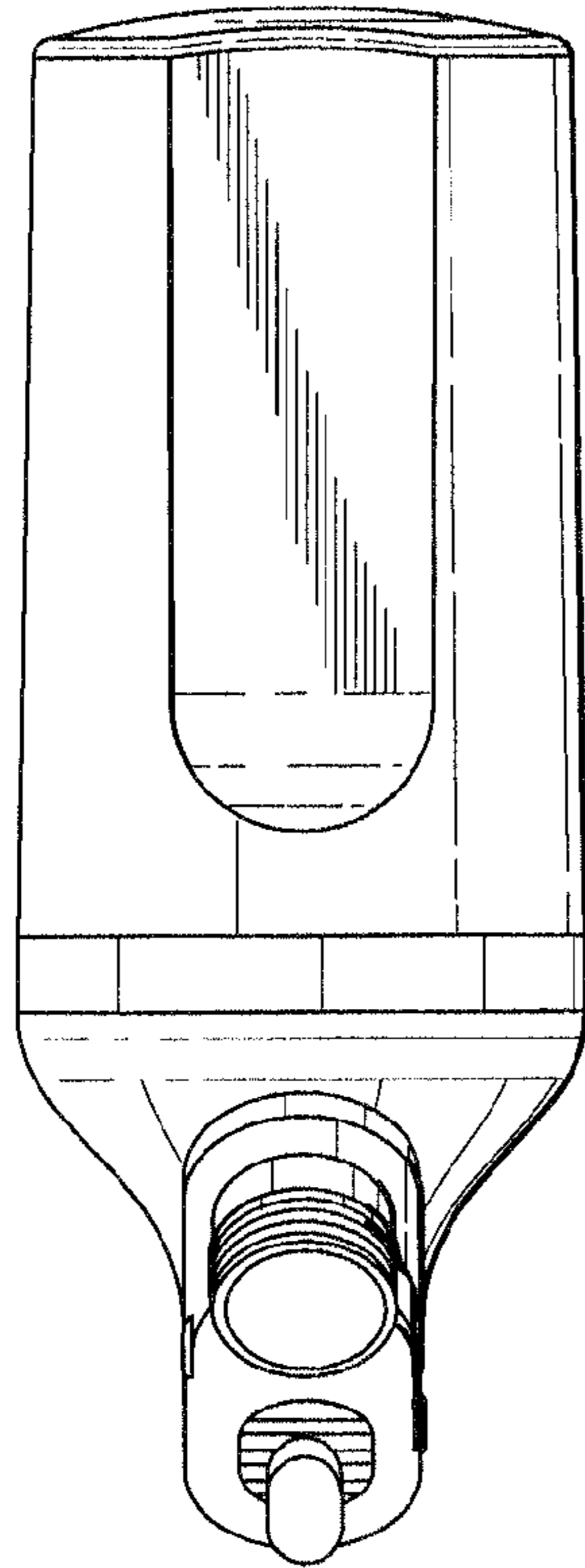


Fig. 3

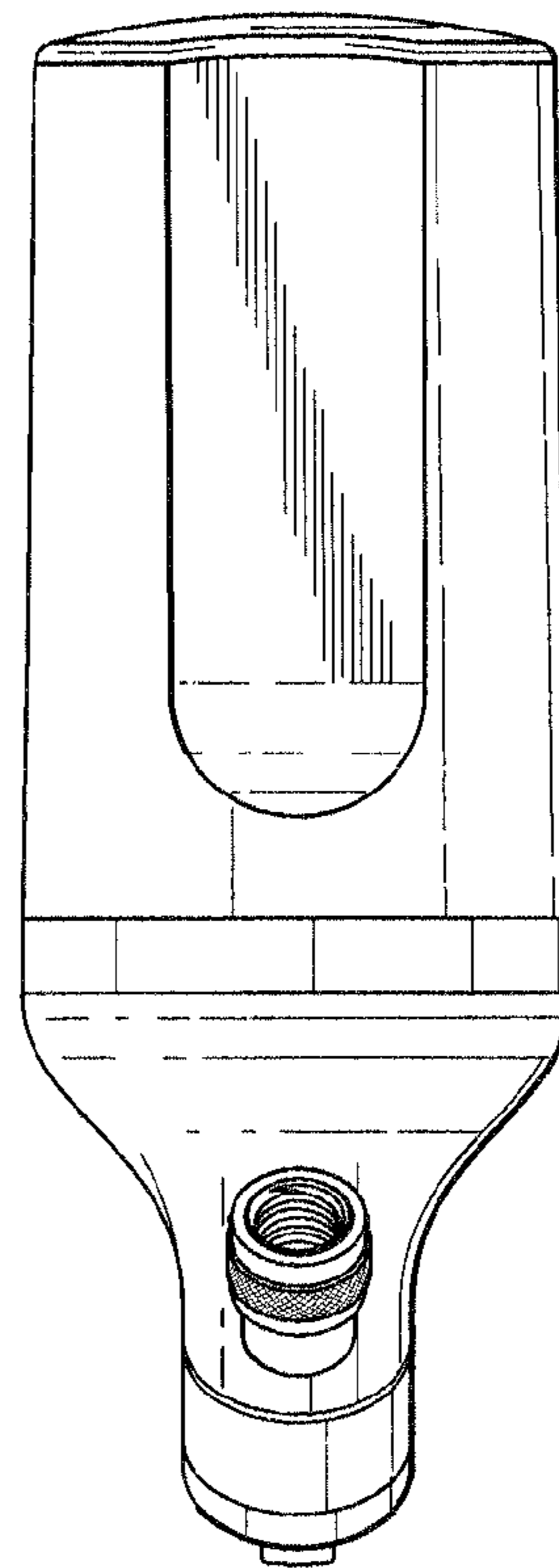


Fig. 4

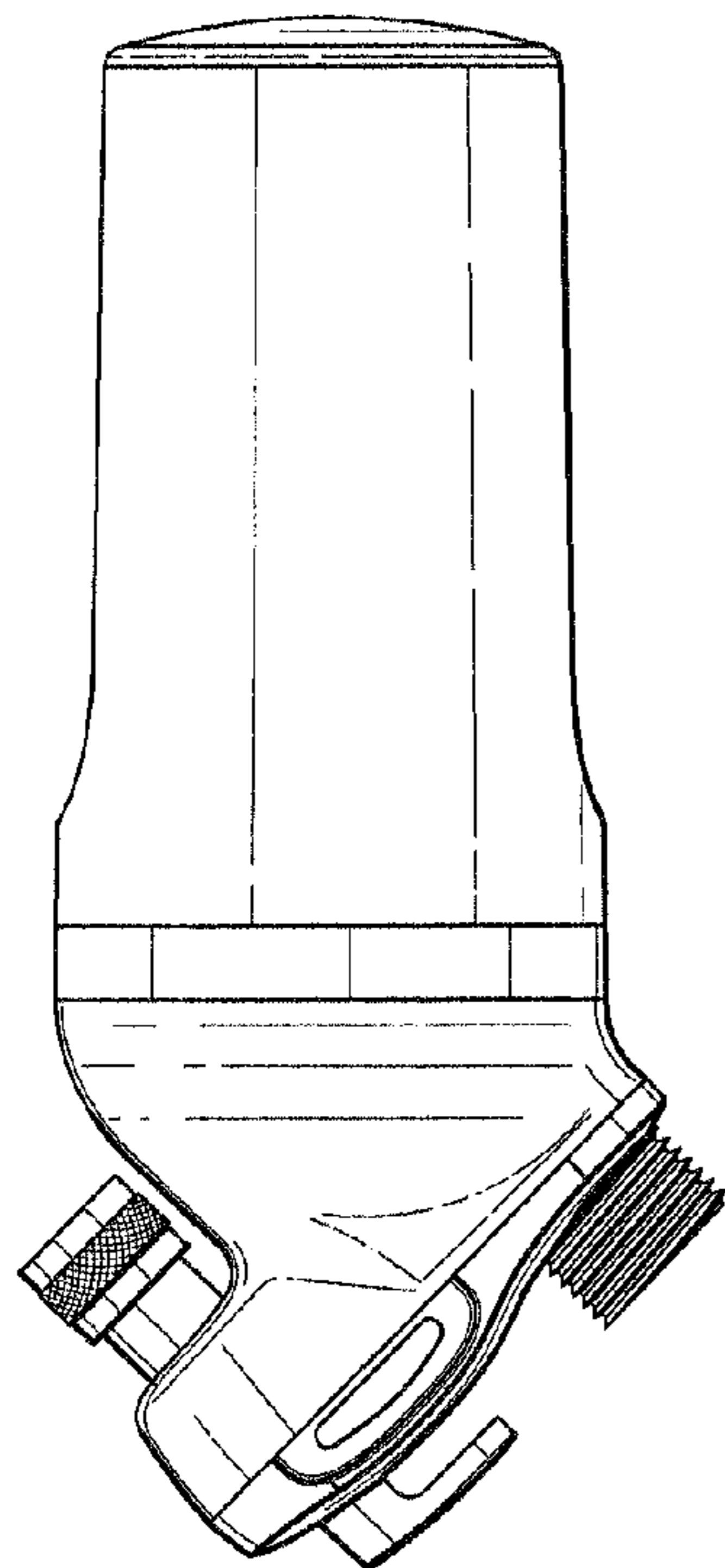


Fig. 5

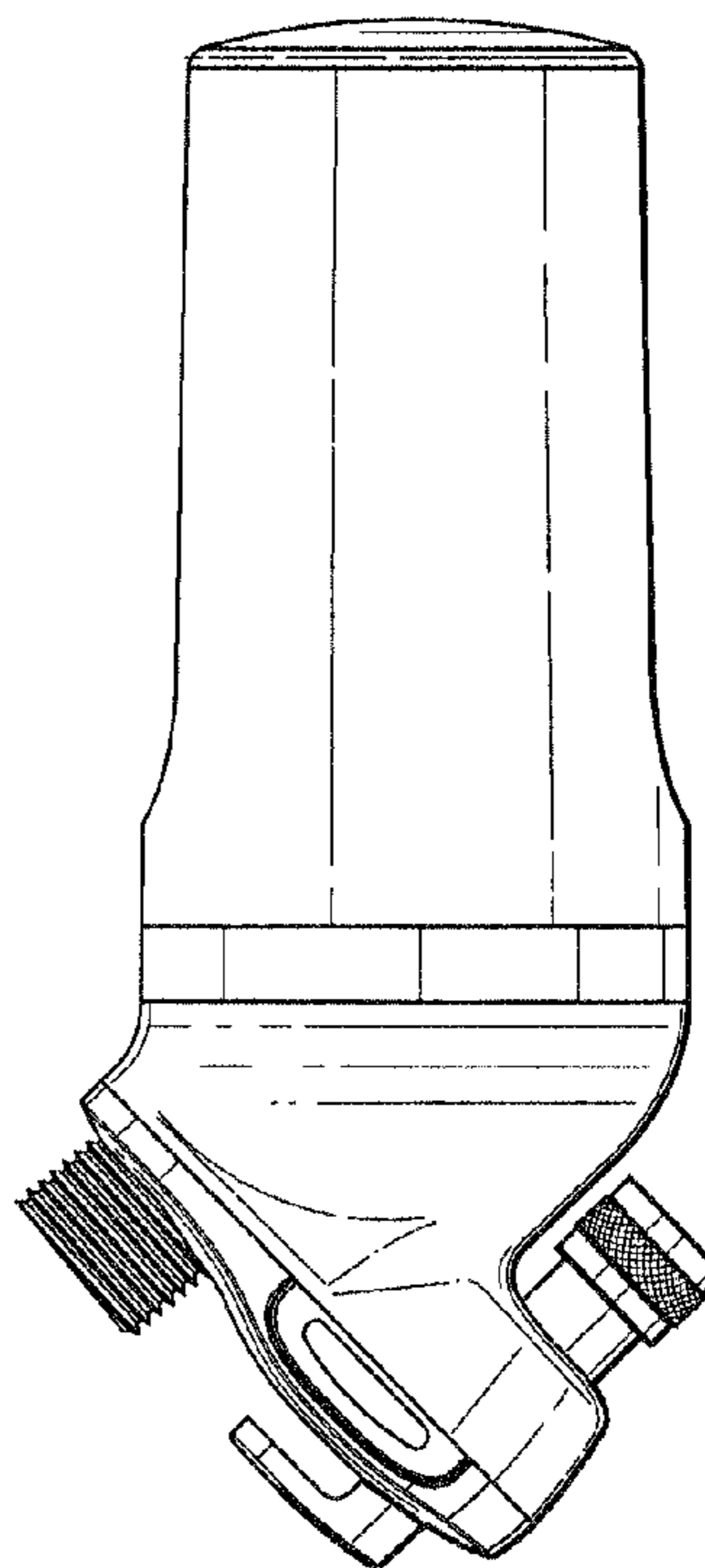


Fig. 6

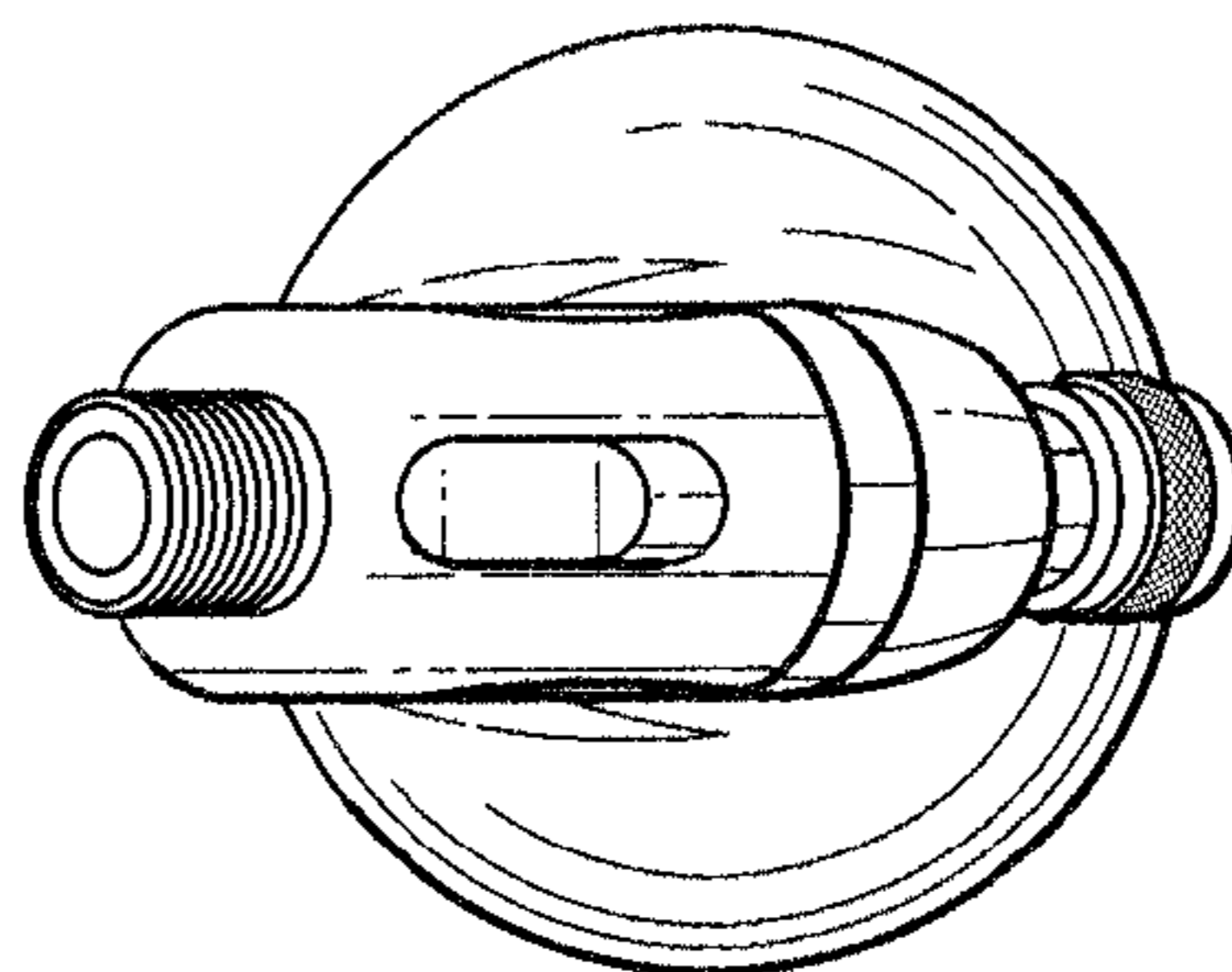


Fig. 7

