



US00D667074S

(12) **United States Design Patent**
DeVriendt, II

(10) **Patent No.:** **US D667,074 S**

(45) **Date of Patent:** **** Sep. 11, 2012**

(54) **FISHING ROD GRIP**

(76) Inventor: **James Lewis DeVriendt, II**,
Morristown, TN (US)

(**) Term: **14 Years**

(21) Appl. No.: **29/389,476**

(22) Filed: **Apr. 12, 2011**

(51) **LOC (9) Cl.** **22-05**

(52) **U.S. Cl.** **D22/142**

(58) **Field of Classification Search** D22/137-142;
D3/12; 43/18.1, 19-22; D8/300, 303, 305,
D8/310, 313; D21/796, 756; D7/401.2

See application file for complete search history.

(56) **References Cited**

U.S. PATENT DOCUMENTS

1,931,303 A	10/1933	Sturgis
D193,496 S	8/1962	Sydney
D194,471 S	1/1963	Dishner
D221,147 S	7/1971	Mimeur
D258,977 S	4/1981	Sakamoto et al.
D290,384 S	6/1987	McNeil
D294,163 S	2/1988	Andreasen et al.
D294,164 S	2/1988	Andreasen et al.
D294,626 S	3/1988	Rumbaugh et al.
D300,168 S	3/1989	Andreasen et al.
D300,767 S	4/1989	Andreasen et al.

D303,701 S	9/1989	Matsumoto	
D324,409 S *	3/1992	LaTouche	D22/142
D375,035 S	10/1996	Mangol	
D378,849 S *	4/1997	Myojo et al.	D22/142
D410,362 S	6/1999	Lai	
D443,322 S *	6/2001	Henry	D21/756
D623,262 S	9/2010	Kress et al.	
D655,371 S *	3/2012	Wood	D22/142

* cited by examiner

Primary Examiner — Catheri Oliver

(74) *Attorney, Agent, or Firm* — QuickPatents, Inc.; Kevin Prince

(57) **CLAIM**

I claim the ornamental design for a fishing rod grip, as shown and described.

DESCRIPTION

FIG. 1 is a perspective view of a fishing rod grip, showing my new design;

FIG. 2 is a front elevational view thereof;

FIG. 3 is a rear elevational view thereof;

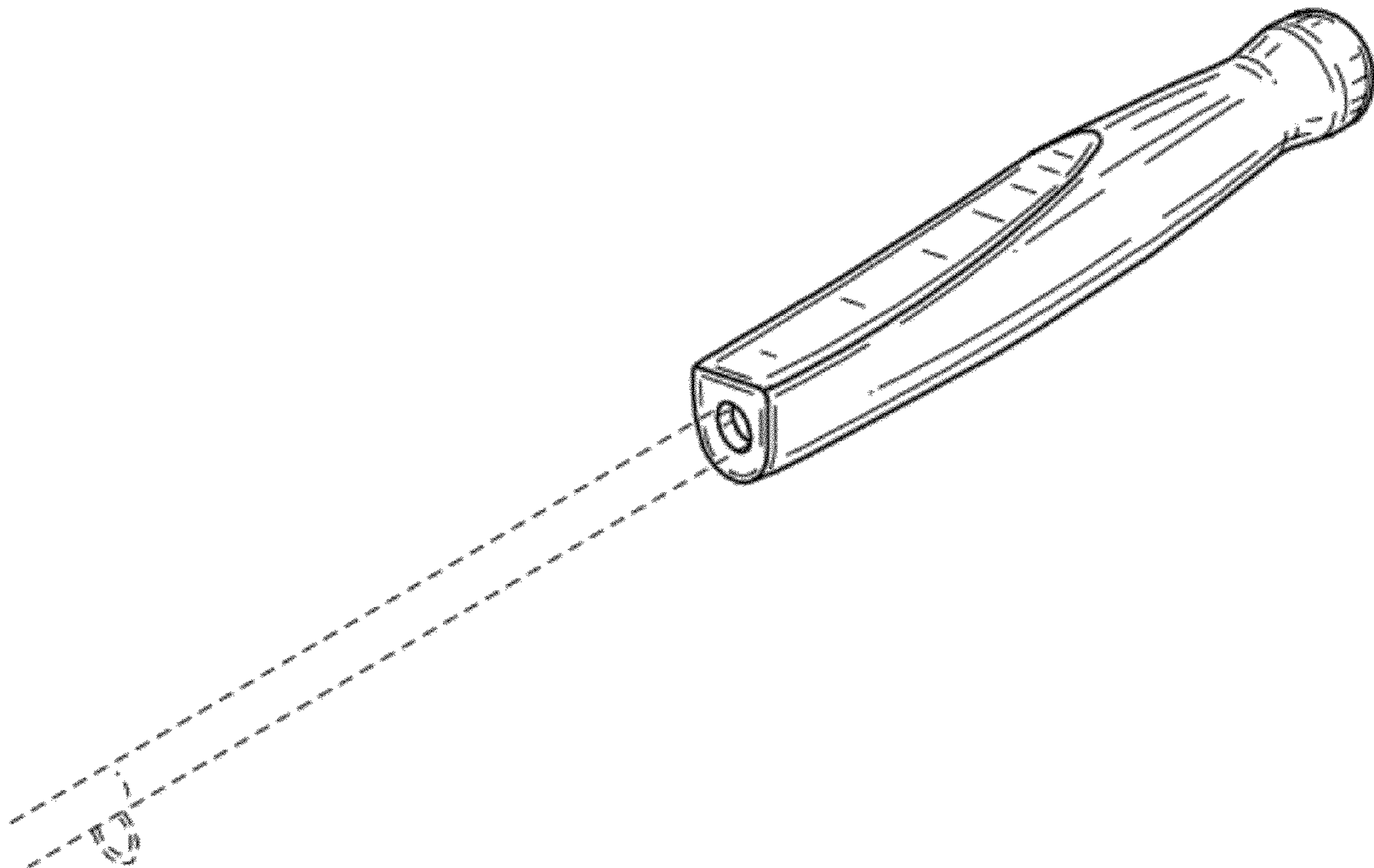
FIG. 4 is a top plan view thereof;

FIG. 5 is a left-side elevational view thereof, the right-side elevational view being a mirror image thereof; and,

FIG. 6 is a bottom plan view thereof.

The broken lines showing a fishing pole in FIG. 1 depict environmental matter and form no part of the claimed design.

1 Claim, 2 Drawing Sheets



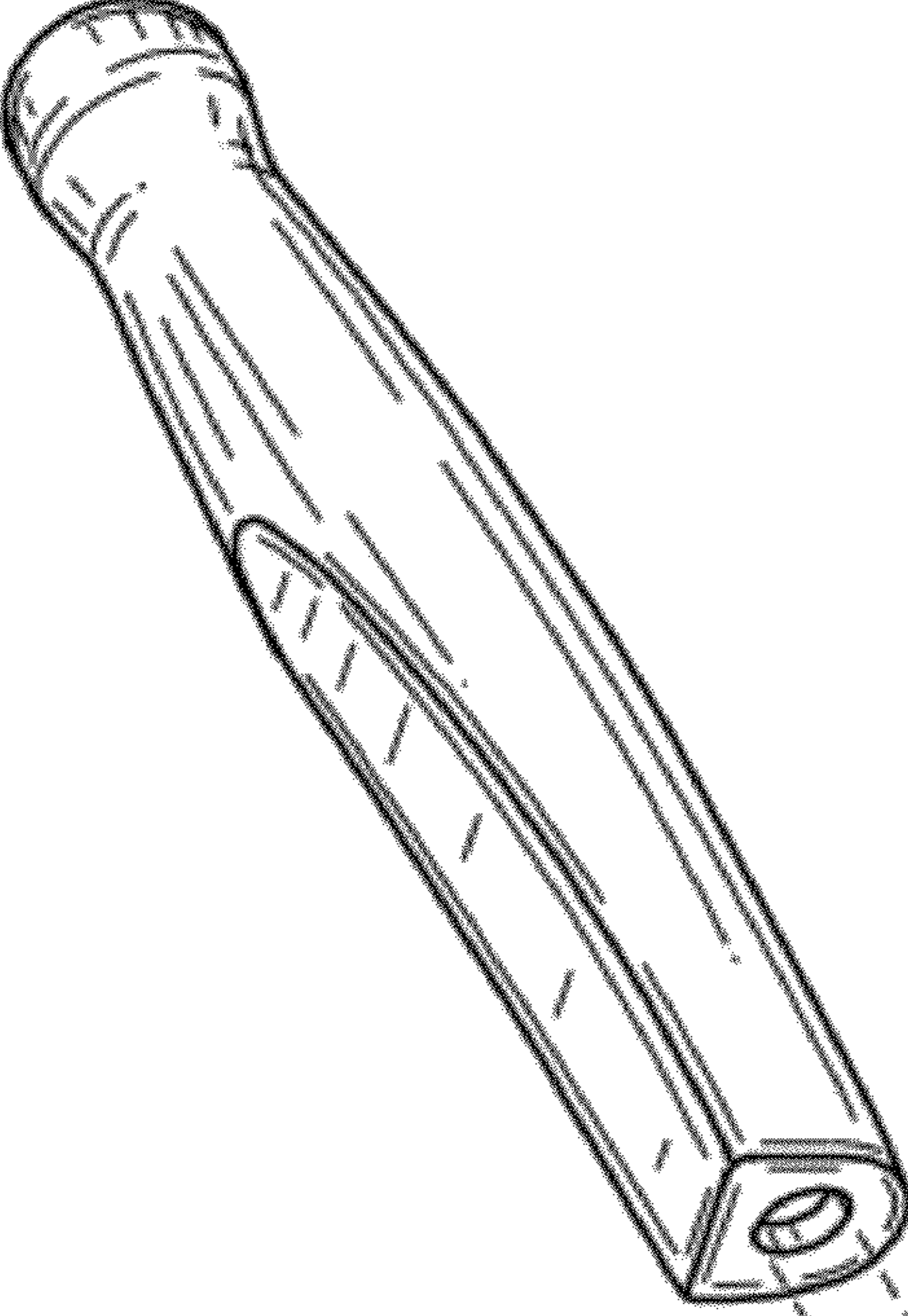


FIG. 1

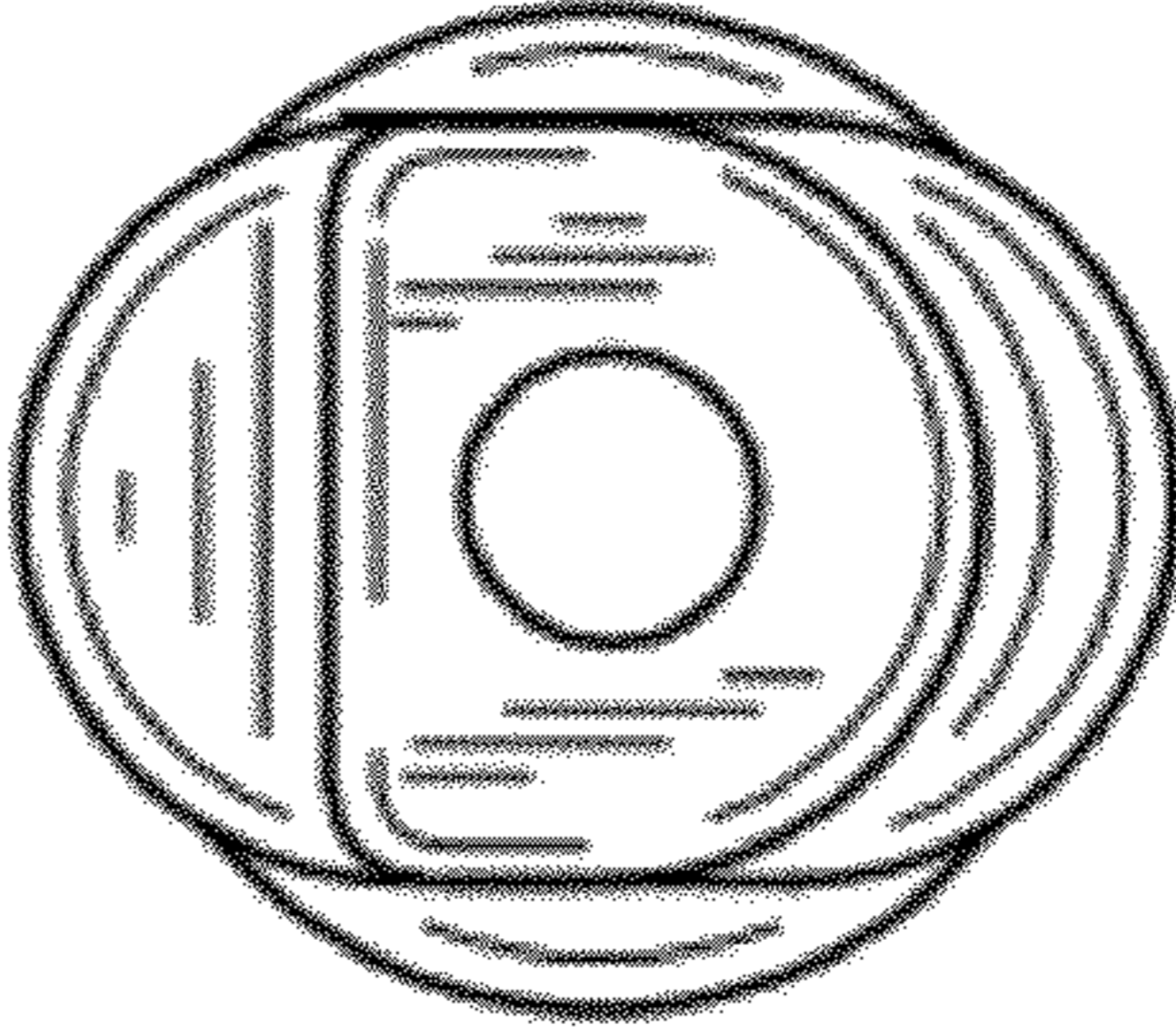


FIG. 2

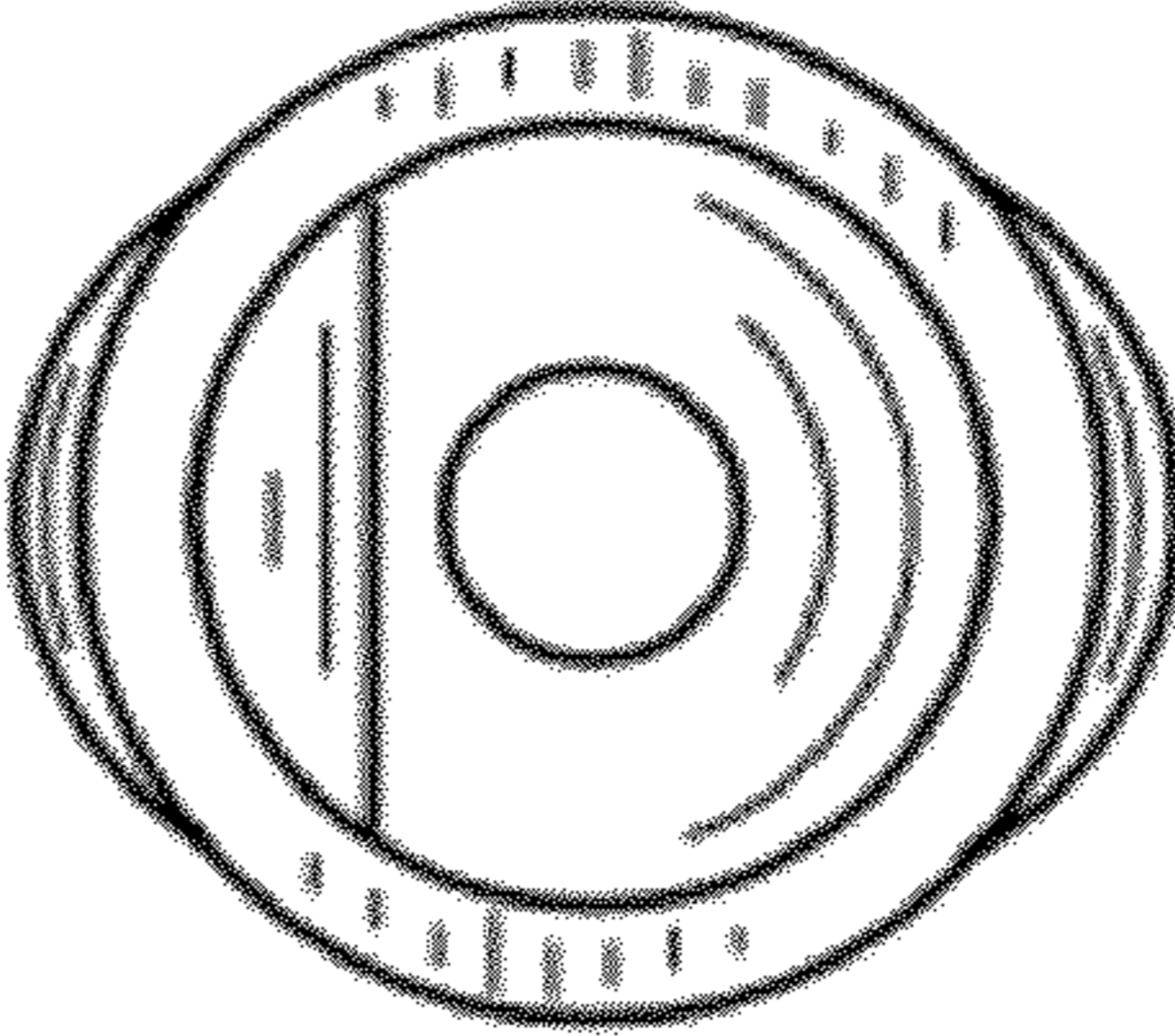


FIG. 3

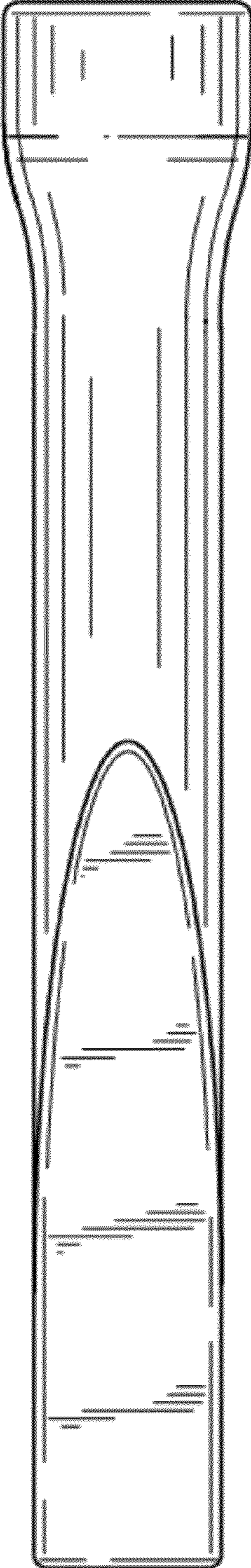


FIG. 4

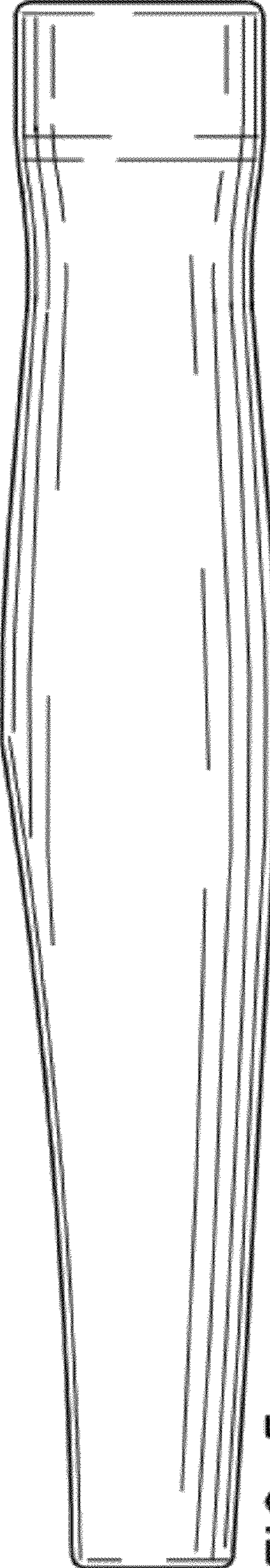


FIG. 5

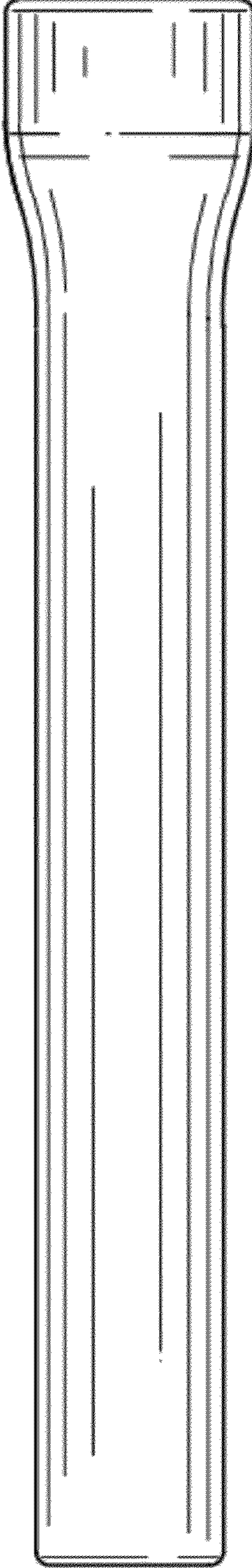


FIG. 6