



US00D667073S

(12) **United States Design Patent**  
**Huber**

(10) **Patent No.:** **US D667,073 S**

(45) **Date of Patent:** **\*\* Sep. 11, 2012**

(54) **RIFLESCOPE SADDLE**

(75) Inventor: **Jeff Huber**, Orofino, ID (US)

(73) Assignee: **Lightforce USA, Inc.**, Orofino, ID (US)

(\*\*) Term: **14 Years**

(21) Appl. No.: **29/399,473**

(22) Filed: **Aug. 15, 2011**

**Related U.S. Application Data**

(63) Continuation-in-part of application No. 12/363,658, filed on Jan. 30, 2009, now Pat. No. 8,104,217.

(51) **LOC (9) Cl.** ..... **22-01**

(52) **U.S. Cl.** ..... **D22/109**

(58) **Field of Classification Search** ..... D22/108-110, D22/199; D16/132, 130, 133, 330, 134; 359/399, 823, 744; 42/111, 133, 119, 122  
See application file for complete search history.

(56) **References Cited**

**U.S. PATENT DOCUMENTS**

D308,981 S \* 7/1990 Moore ..... D16/132  
D349,510 S \* 8/1994 Tomita ..... D16/132  
D365,858 S \* 1/1996 Tomita ..... D22/109

D369,367 S \* 4/1996 Tomita ..... D16/132  
D497,625 S \* 10/2004 Kung ..... D16/132  
7,518,792 B2 \* 4/2009 McWilliams ..... 359/399

\* cited by examiner

*Primary Examiner* — Michael A Pratt

(74) *Attorney, Agent, or Firm* — Wood, Herron & Evans, LLP

(57) **CLAIM**

The ornamental design for a riflescope saddle, as shown and described.

**DESCRIPTION**

FIG. 1 is an isometric view of the riflescope saddle shown in the context of a full riflescope;

FIG. 2 is an isometric view of the riflescope saddle;

FIG. 3 is a rear plan view;

FIG. 4 is a left side plan view (the right side being a mirror image thereof);

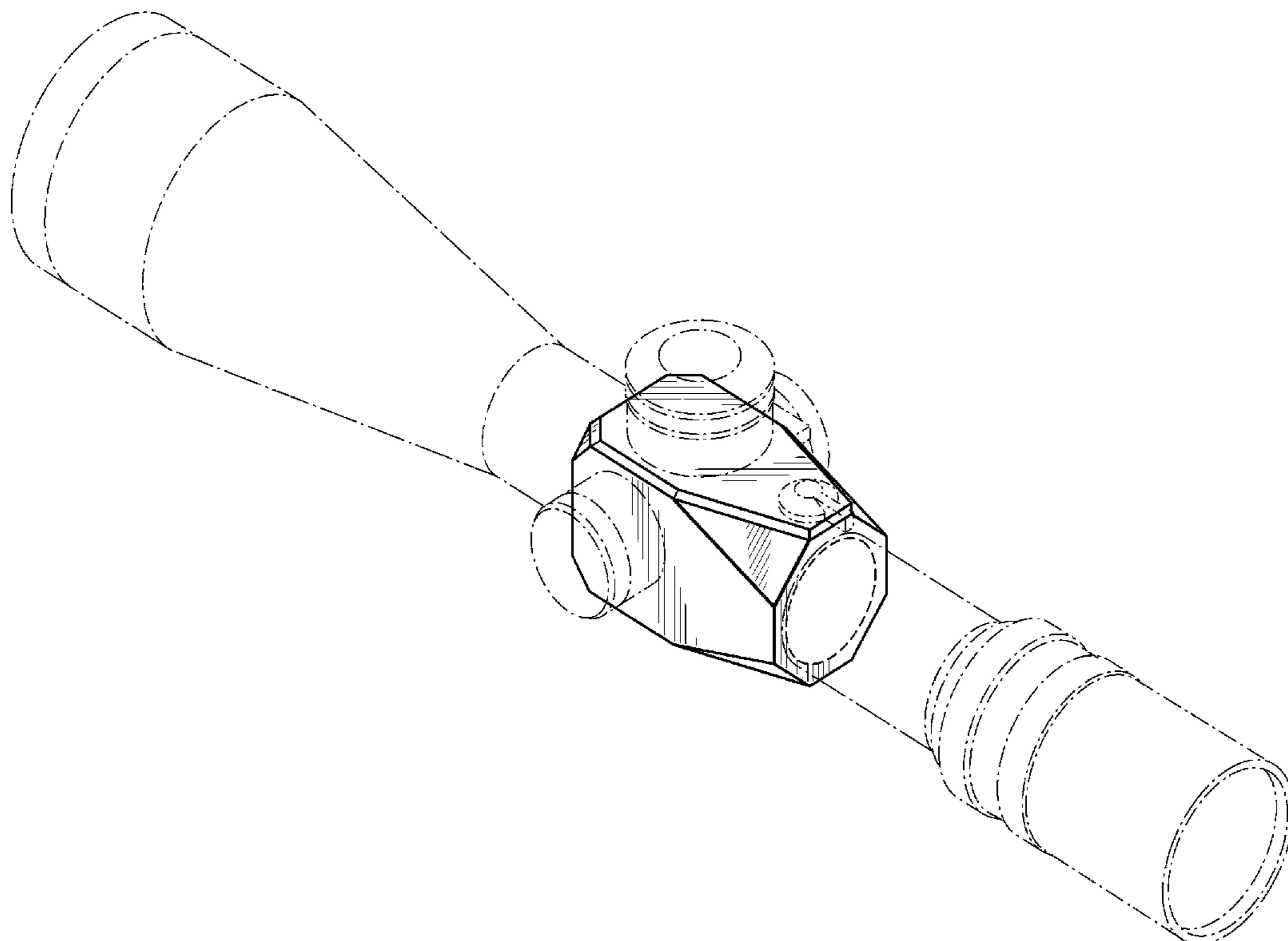
FIG. 5 is a front plan view;

FIG. 6 is a top plan view; and,

FIG. 7 is a bottom view.

Any elements shown in dash dot lines form no part of the claimed invention in this application, and are instead included to show environmental aspects of the claimed invention. The broken line adjacent to the shaded portions forms an unclaimed boundary of the design.

**1 Claim, 2 Drawing Sheets**



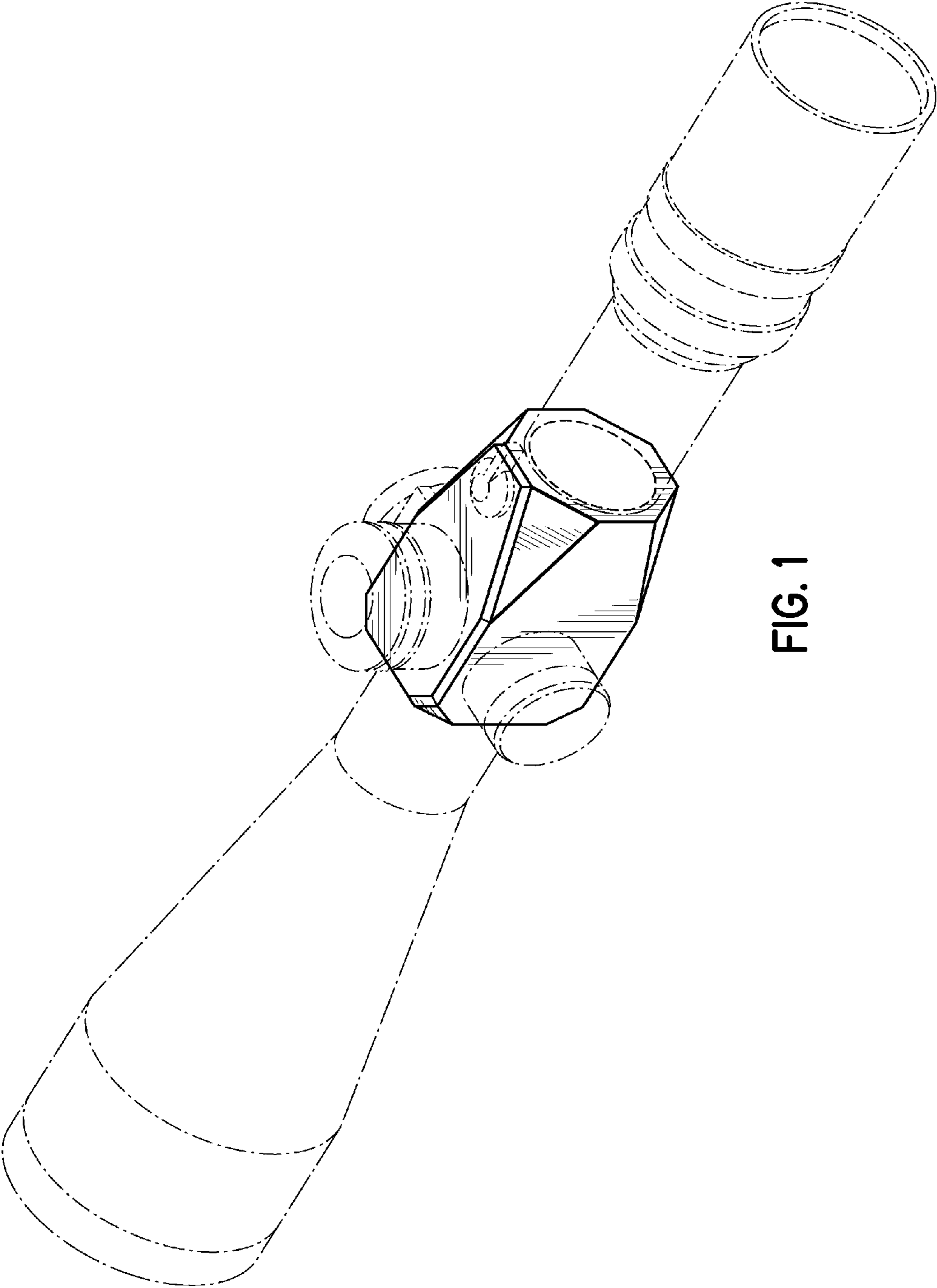


FIG. 1

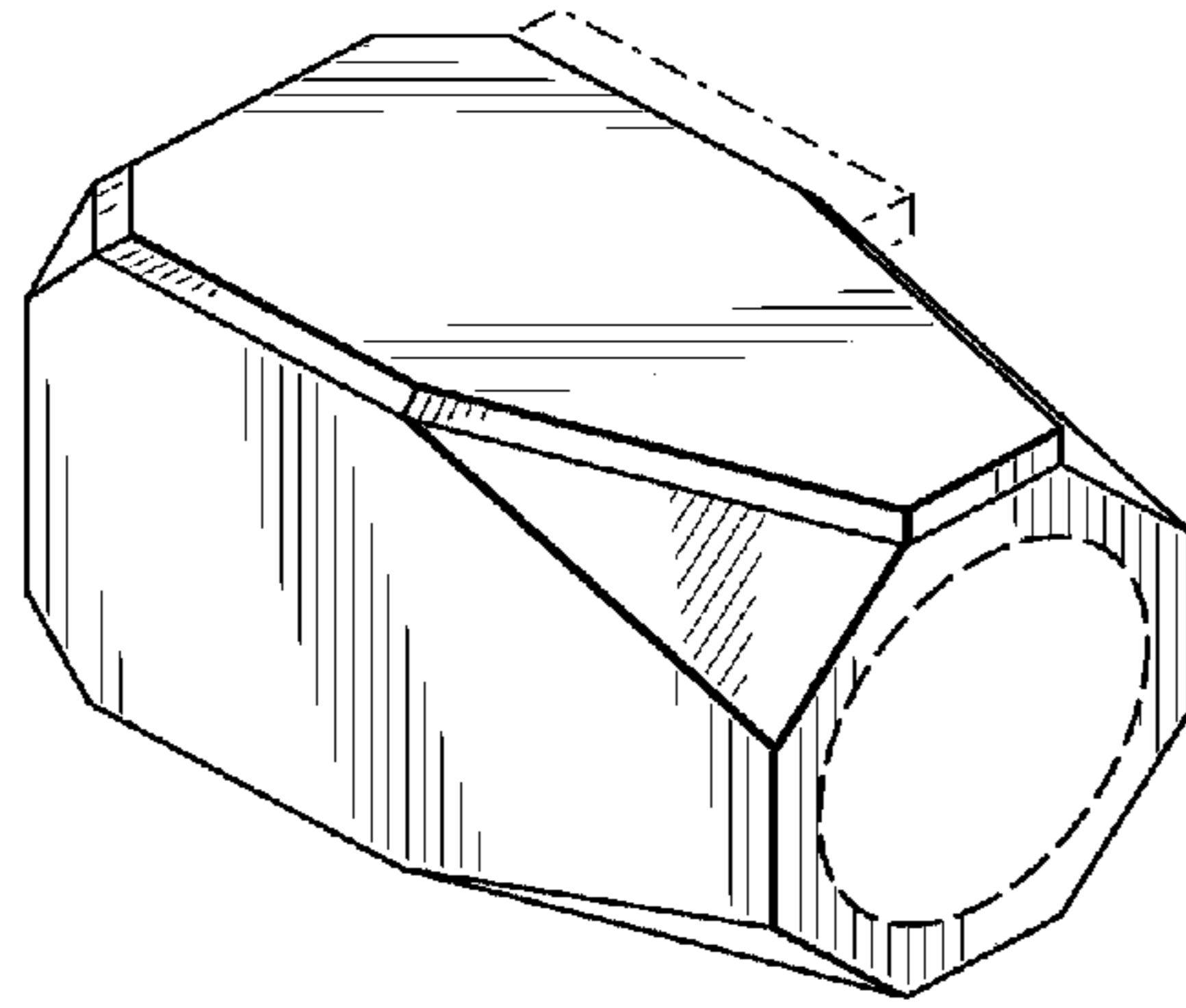


FIG. 2

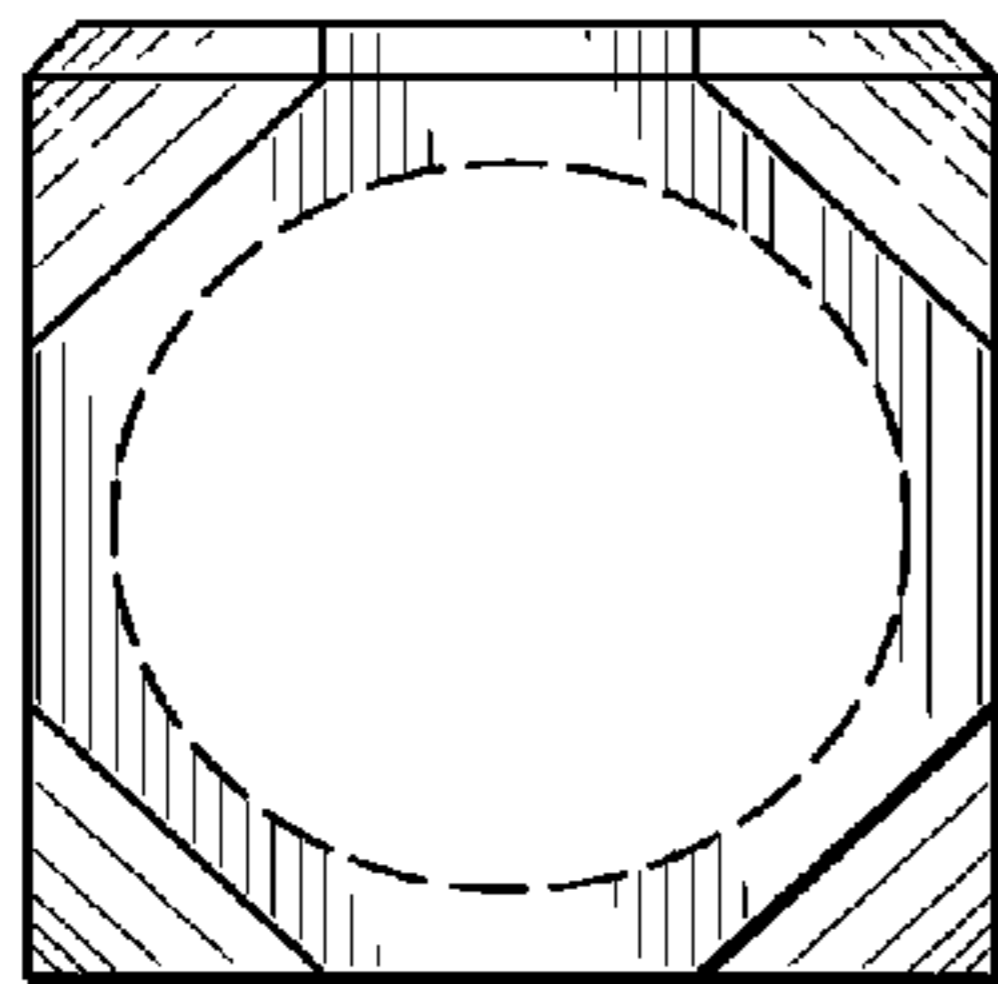


FIG. 3

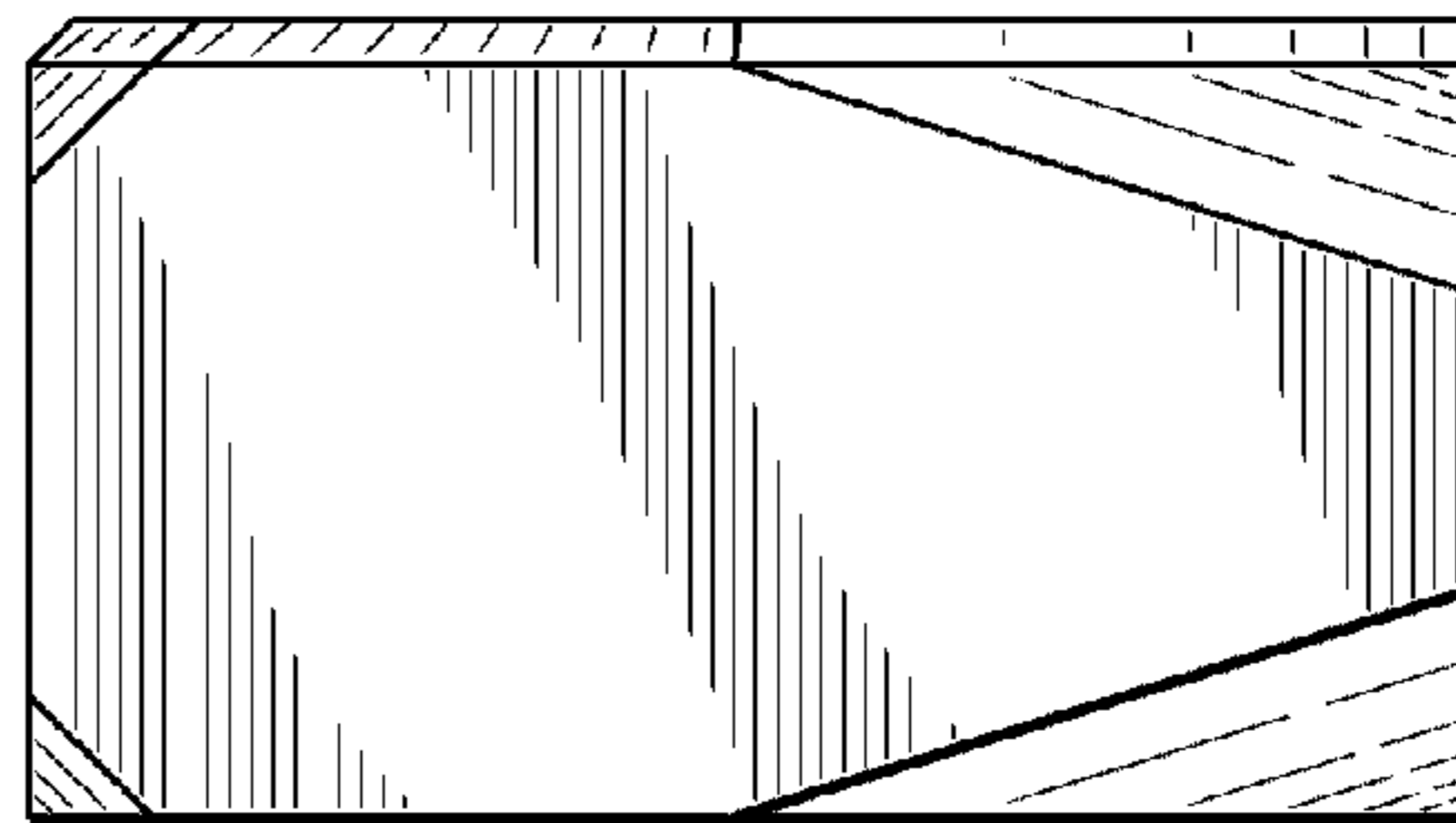


FIG. 4

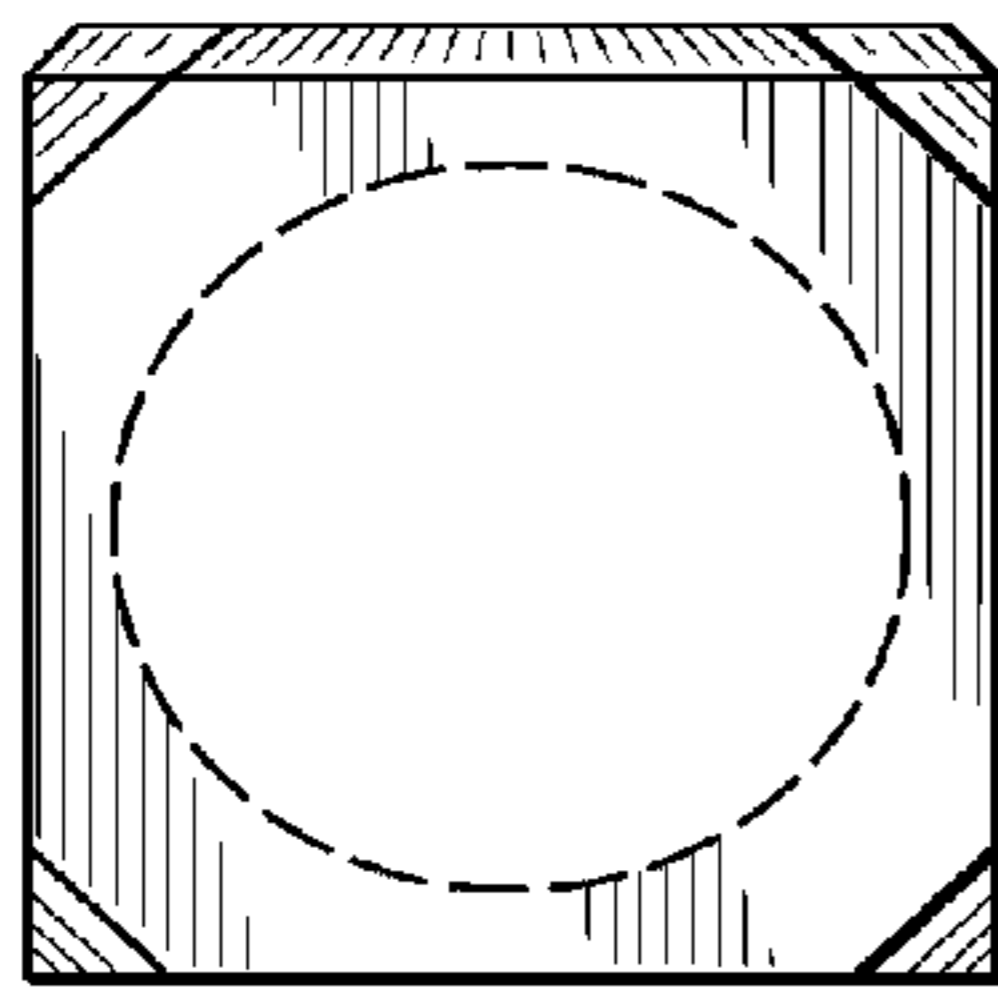


FIG. 5

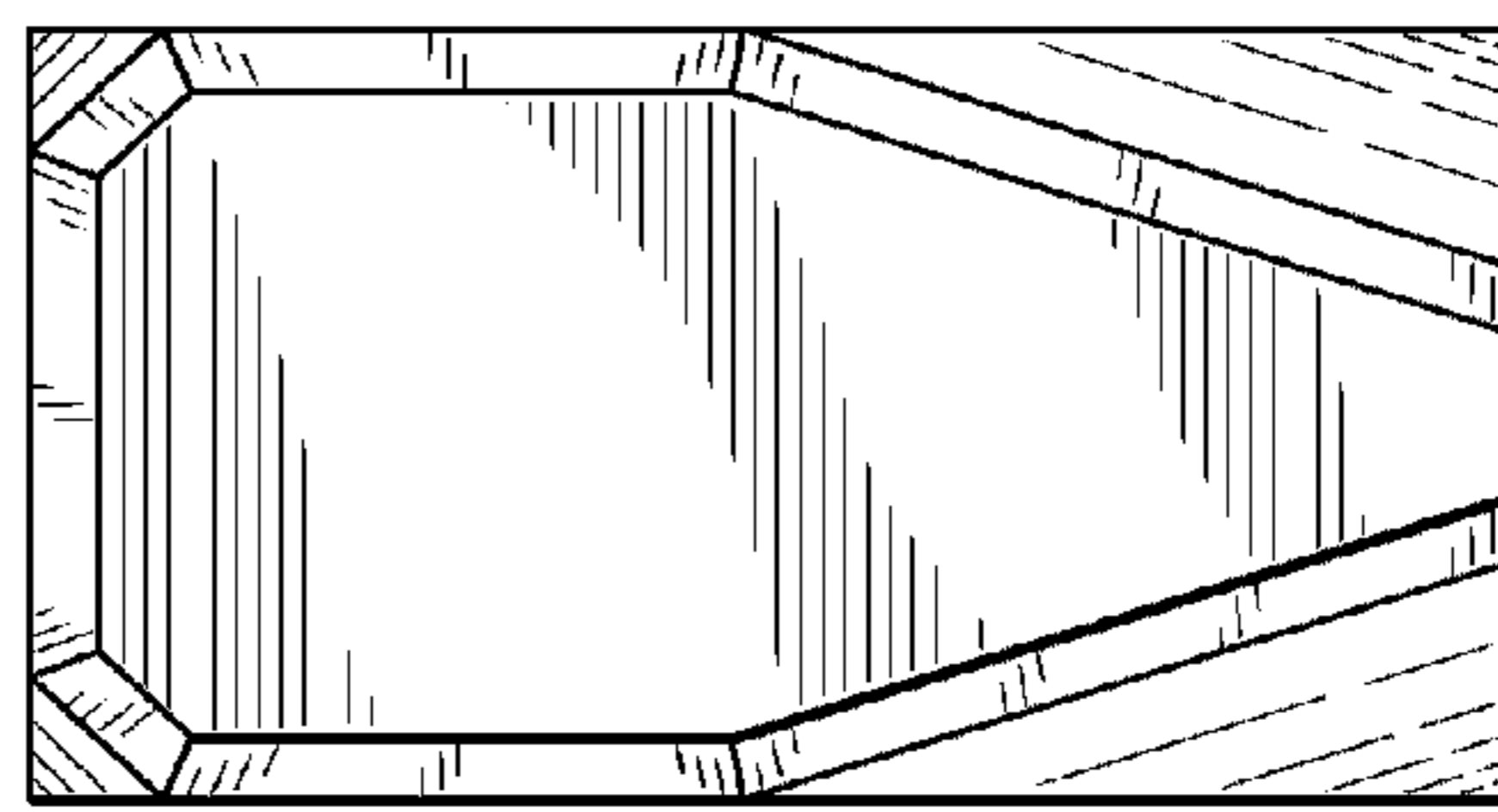


FIG. 6

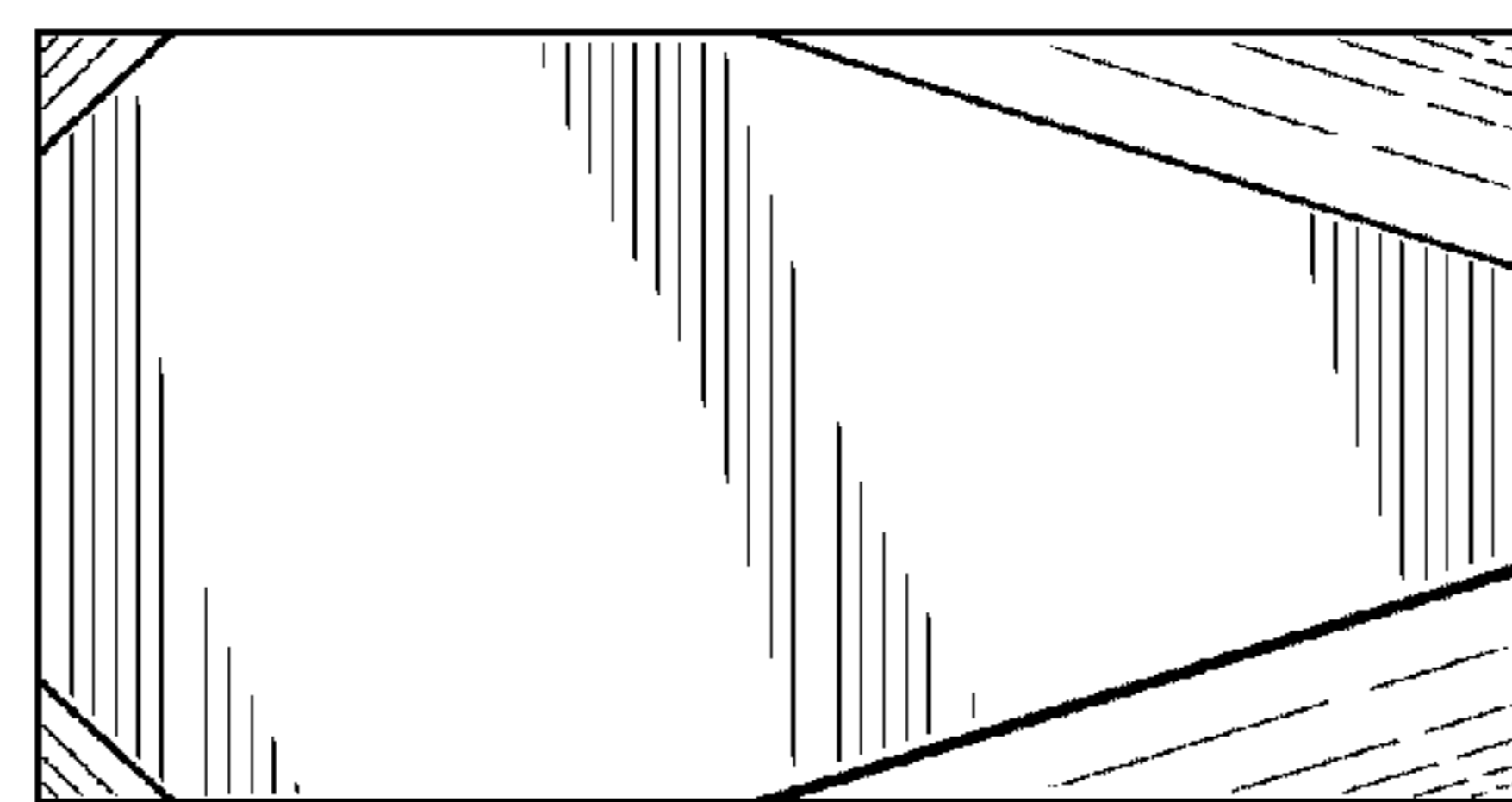


FIG. 7