



US00D667072S

(12) **United States Design Patent**  
**Kriegleder**

(10) **Patent No.:** **US D667,072 S**

(45) **Date of Patent:** **\*\* Sep. 11, 2012**

(54) **SEMI-AUTOMATIC FIRE ARM**  
(75) Inventor: **Wolfram Kriegleder**, Andrichsfurt (AT)  
(73) Assignee: **ISSC Handels GmbH**, Ried in Innkreis  
(\*\*) Term: **14 Years**

7,685,758 B2 \* 3/2010 Romer ..... 42/124  
7,797,873 B2 \* 9/2010 Gering et al. .... 42/105  
D641,824 S \* 7/2011 Gridelet ..... D22/103  
D641,825 S \* 7/2011 Gridelet ..... D22/103  
2008/0187888 A1 \* 8/2008 Jones et al. .... 434/21  
2008/0236017 A1 \* 10/2008 Fitzpatrick et al. .... 42/73

(21) Appl. No.: **29/371,025**  
(22) Filed: **Sep. 16, 2010**

**FOREIGN PATENT DOCUMENTS**

DE 3130562 A1 \* 2/1983  
\* cited by examiner

(30) **Foreign Application Priority Data**

Jun. 6, 2010 (DE) ..... 40 2010 004 024

(51) **LOC (9) Cl.** ..... **22-01**  
(52) **U.S. Cl.** ..... **D22/103**  
(58) **Field of Classification Search** ..... D22/100,  
D22/101, 103, 104, 108, 199; D21/572,  
D21/573; 42/40, 41, 42.01, 42.02, 42.03,  
42/43, 44, 45, 57, 69.01, 71.02, 72, 100;  
362/110; 89/40.06, 41.19, 37.04, 33.04,  
89/191.01, 200-204; 124/31, 37  
See application file for complete search history.

*Primary Examiner* — Michael A Pratt  
(74) *Attorney, Agent, or Firm* — Welsh Flaxman & Gitler  
LLC

(57) **CLAIM**  
The ornamental design for a semi-automatic fire arm, as  
shown, and described.

(56) **References Cited**

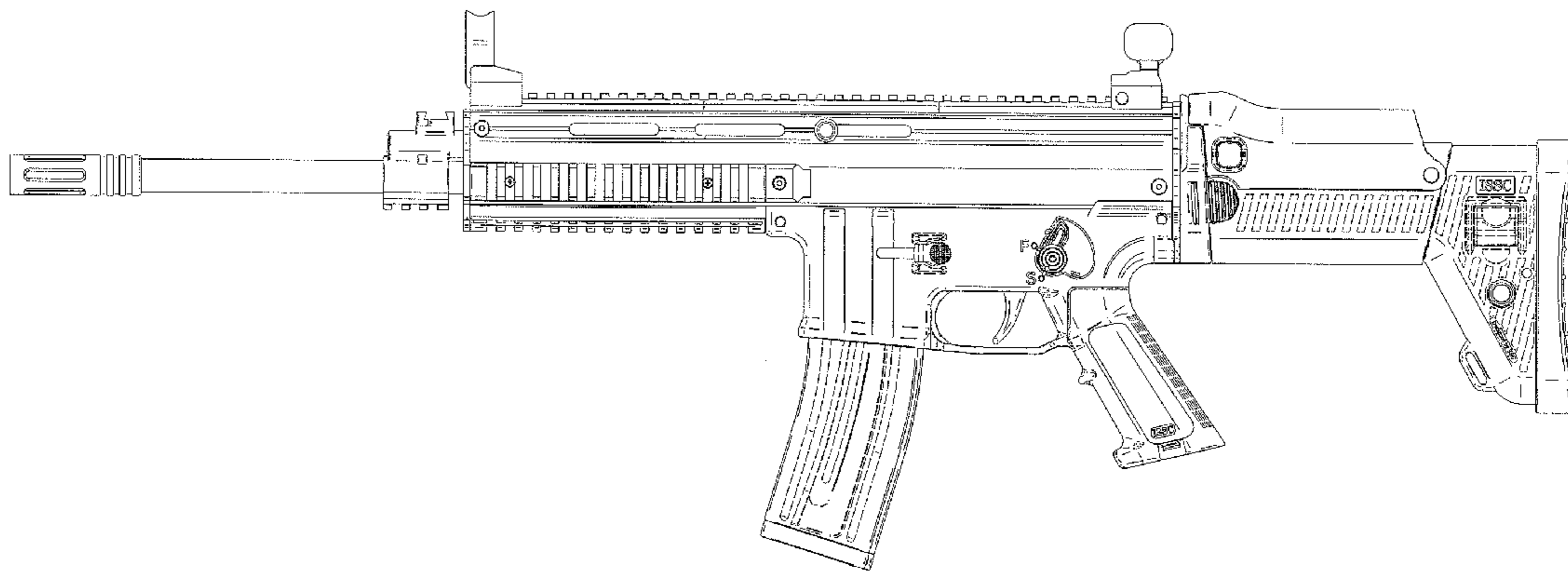
**U.S. PATENT DOCUMENTS**

3,777,381 A \* 12/1973 Moller et al. .... 42/143  
4,523,509 A \* 6/1985 Thevis et al. .... 89/129.02

**DESCRIPTION**

FIG. 1 is a left side view of the semi-automatic fire arm;  
FIG. 2 is a right side view of the semi-automatic fire arm;  
FIG. 3 is a bottom view of the semi-automatic fire arm;  
FIG. 4 is a top view the semi-automatic fire arm;  
FIG. 5 is a front view of the semi-automatic fire arm; and,  
FIG. 6 is a top view of the semi-automatic fire arm.  
The broken line showing of portions of the semi automatic  
fire arm and forms no part of the claimed design.

**1 Claim, 6 Drawing Sheets**



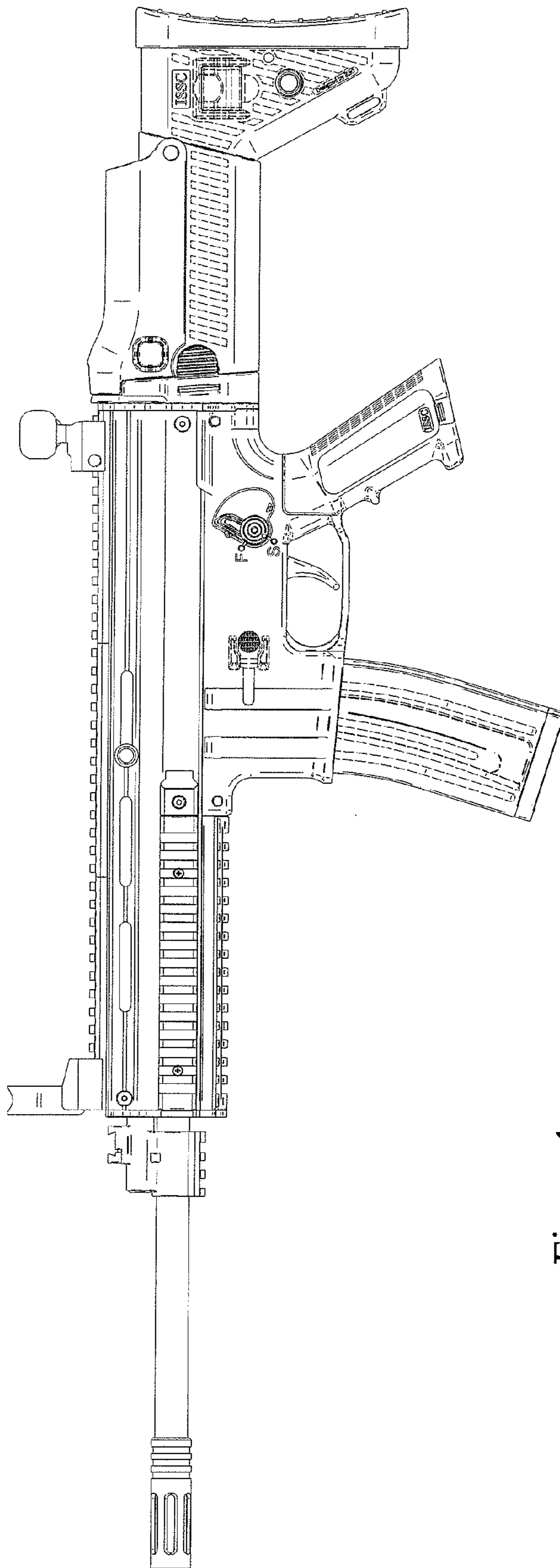


Figure 1

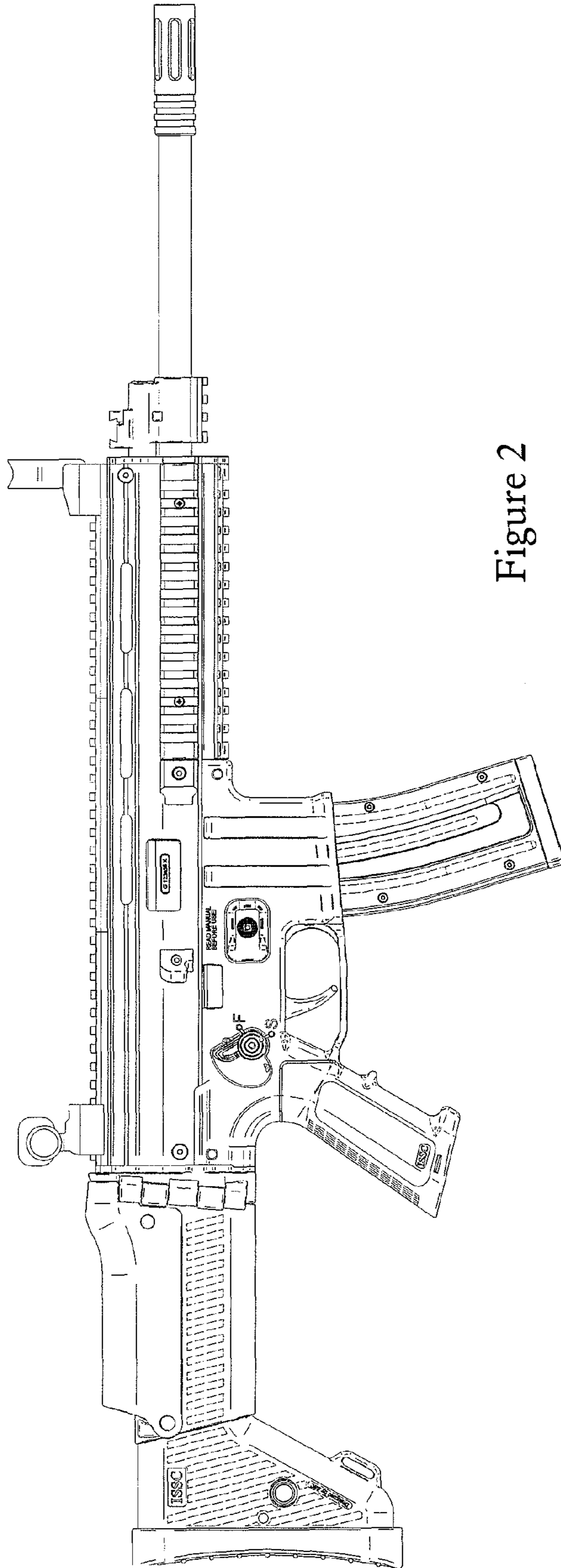


Figure 2

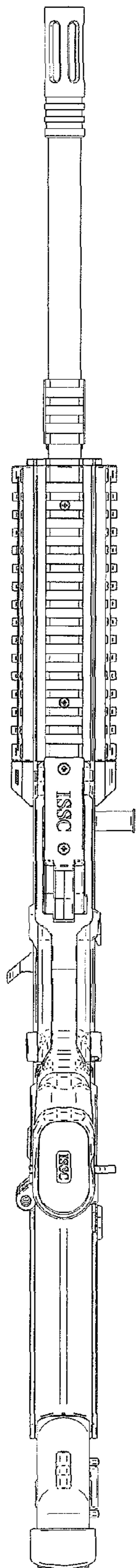


Figure 3

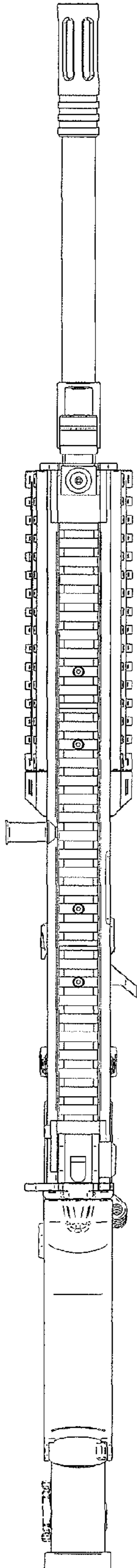


Figure 4

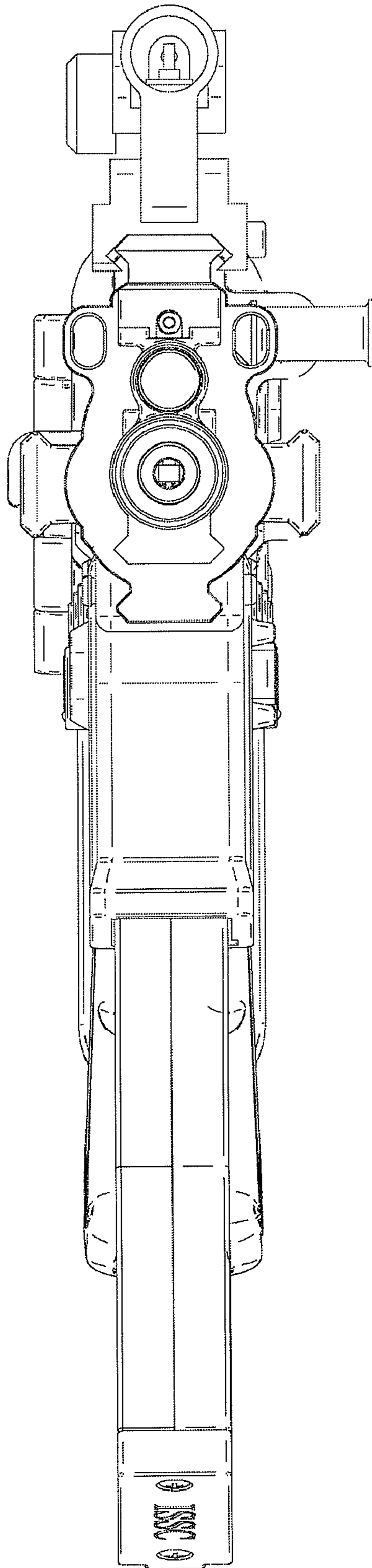


Figure 5

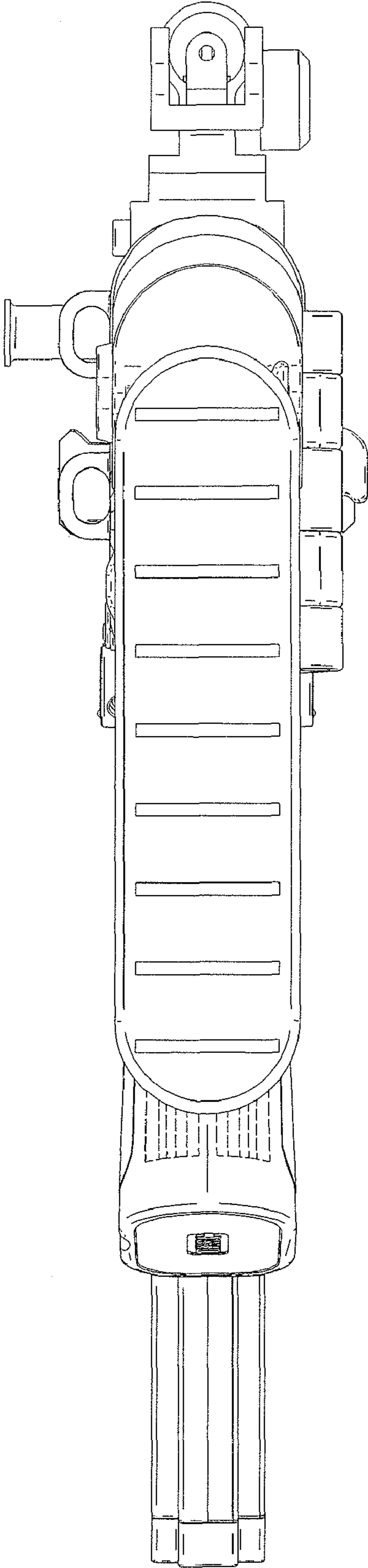


Figure 6