

US00D667071S

(12) **United States Design Patent**
Hadley

(10) **Patent No.:** **US D667,071 S**

(45) **Date of Patent:** **** Sep. 11, 2012**

(54) **PING PONG OR TABLE TENNIS TABLE**

(76) Inventor: **Daniel P. Hadley**, San Marcos, CA (US)

(**) Term: **14 Years**

(21) Appl. No.: **29/411,777**

(22) Filed: **Jan. 26, 2012**

Related U.S. Application Data

(63) Continuation-in-part of application No. 29/345,688, filed on Oct. 21, 2009, now abandoned.

(51) **LOC (9) Cl.** **06-03**

(52) **U.S. Cl.** **D21/799.2**

(58) **Field of Classification Search** D21/300,
D21/312-321, 334, 335, 350, 355, 363, 368,
D21/385, 397, 478-480, 484-486, 489, 490,
D21/493, 504, 505, 522, 698, 706, 783, 792,
D21/794, 799.2; D6/480-491, 509, 511;
473/459, 475, 490-496; 108/59, 60, 61,
108/64, 65, 90, 115; 273/317, 317.4, 407,
273/108, 108.1, 108.5, 236, 259, 277, 285,
273/287, 309, 157; D11/12, 14, 61, 86, 87,
D11/93, 94, 96, 116, 168; D20/10, 11, 22,
D20/23, 99; D19/59, 64; D9/652; 434/159,
434/167, 168, 171, 386, 403

See application file for complete search history.

(56) **References Cited**

U.S. PATENT DOCUMENTS

2,111,339 A	3/1938	Squires
D113,253 S	2/1939	Armstrong
D144,565 S	4/1946	Hollis
D163,029 S	4/1951	Erickson et al.
D166,377 S	4/1952	Curtis
D178,297 S	7/1956	Little
2,883,044 A	4/1959	Kendrick

D197,977 S *	4/1964	Lakamp	D21/317
D202,793 S	11/1965	Smith		
3,533,362 A	10/1970	Thompson		
D221,672 S	8/1971	Kalilich		
3,622,156 A	11/1971	Pugsley		
3,655,187 A	4/1972	Pugsley		
3,858,880 A	1/1975	Graves		
4,108,434 A	8/1978	Royer		
4,772,018 A	9/1988	Inniger		
4,998,883 A	3/1991	Brinkley		
5,346,399 A	9/1994	Sakow		
5,375,837 A	12/1994	Moreau		
6,007,438 A *	12/1999	Harrell	473/496
D427,813 S	7/2000	Foster		
7,367,907 B1	5/2008	Sutton et al.		
D605,430 S	12/2009	Gharabegian		
7,727,091 B2 *	6/2010	Allen	473/496
2006/0180055 A1	8/2006	Mulmed		
2007/0105665 A1	5/2007	Nowitzky et al.		
2012/0088613 A1 *	4/2012	Fatherree	473/473

FOREIGN PATENT DOCUMENTS

FR 2611667 9/1988

* cited by examiner

Primary Examiner — Catherine Tuttle

(74) *Attorney, Agent, or Firm* — Doherty Wallace Pillsbury
Murphy

(57) **CLAIM**

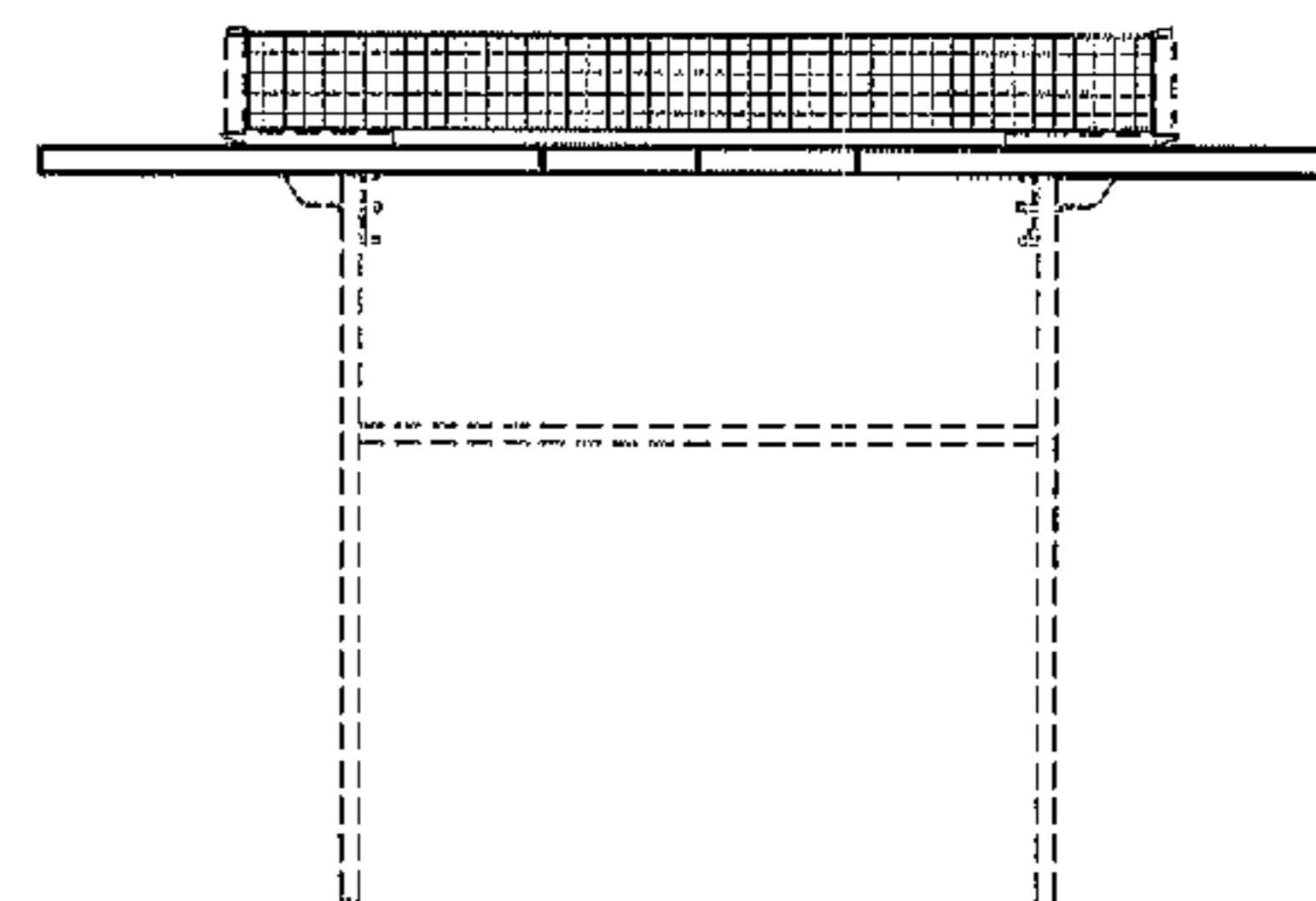
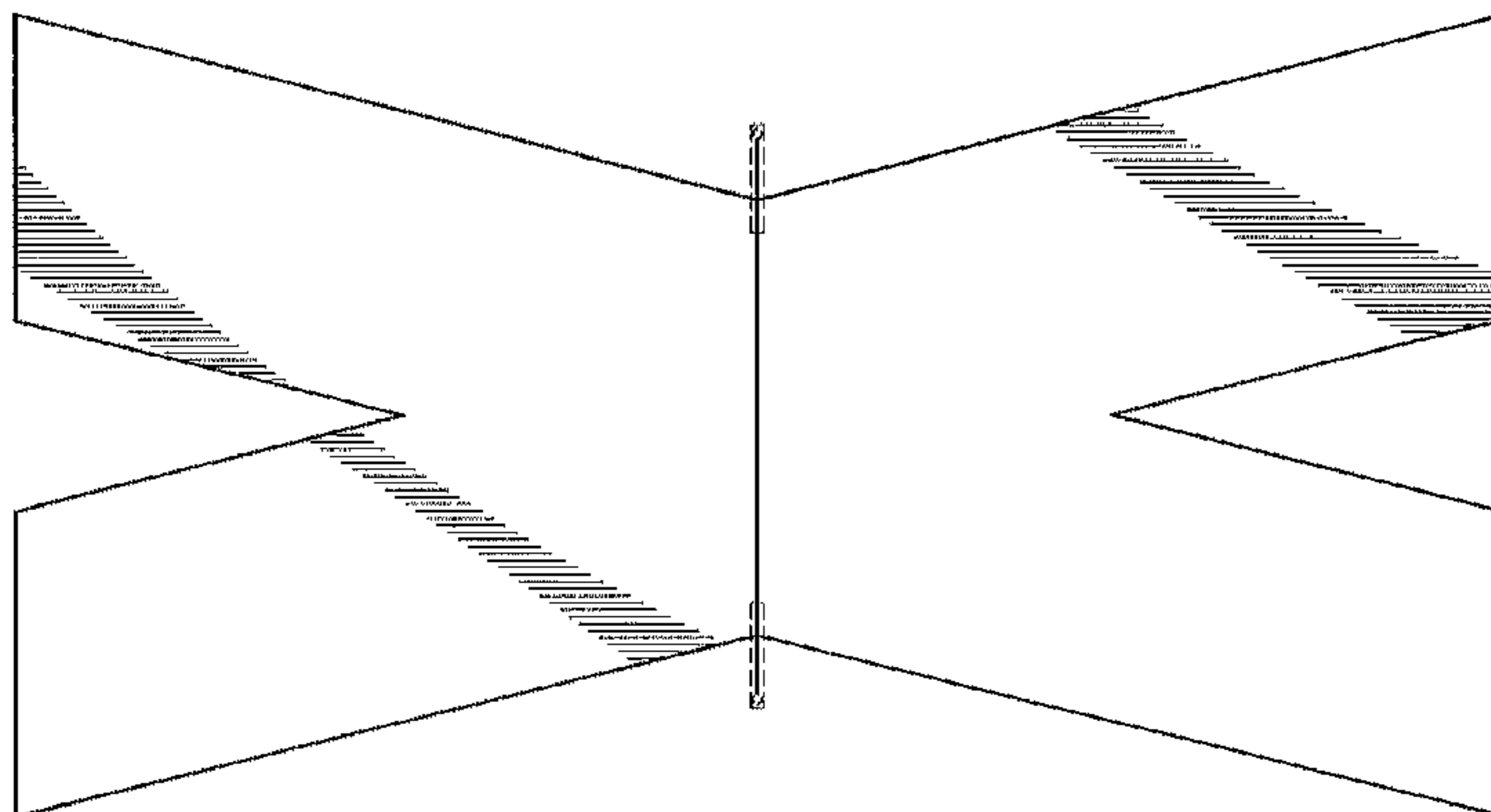
The ornamental design for a table tennis or ping pong table, as shown and described.

DESCRIPTION

FIG. 1 is a top view of the table;
FIG. 2 is a side view of the table; and,
FIG. 3 is an end view of the table.

The broken lines are included for the purpose of illustrating portions of the table tennis or ping pong table that form no part of the claimed design.

1 Claim, 3 Drawing Sheets



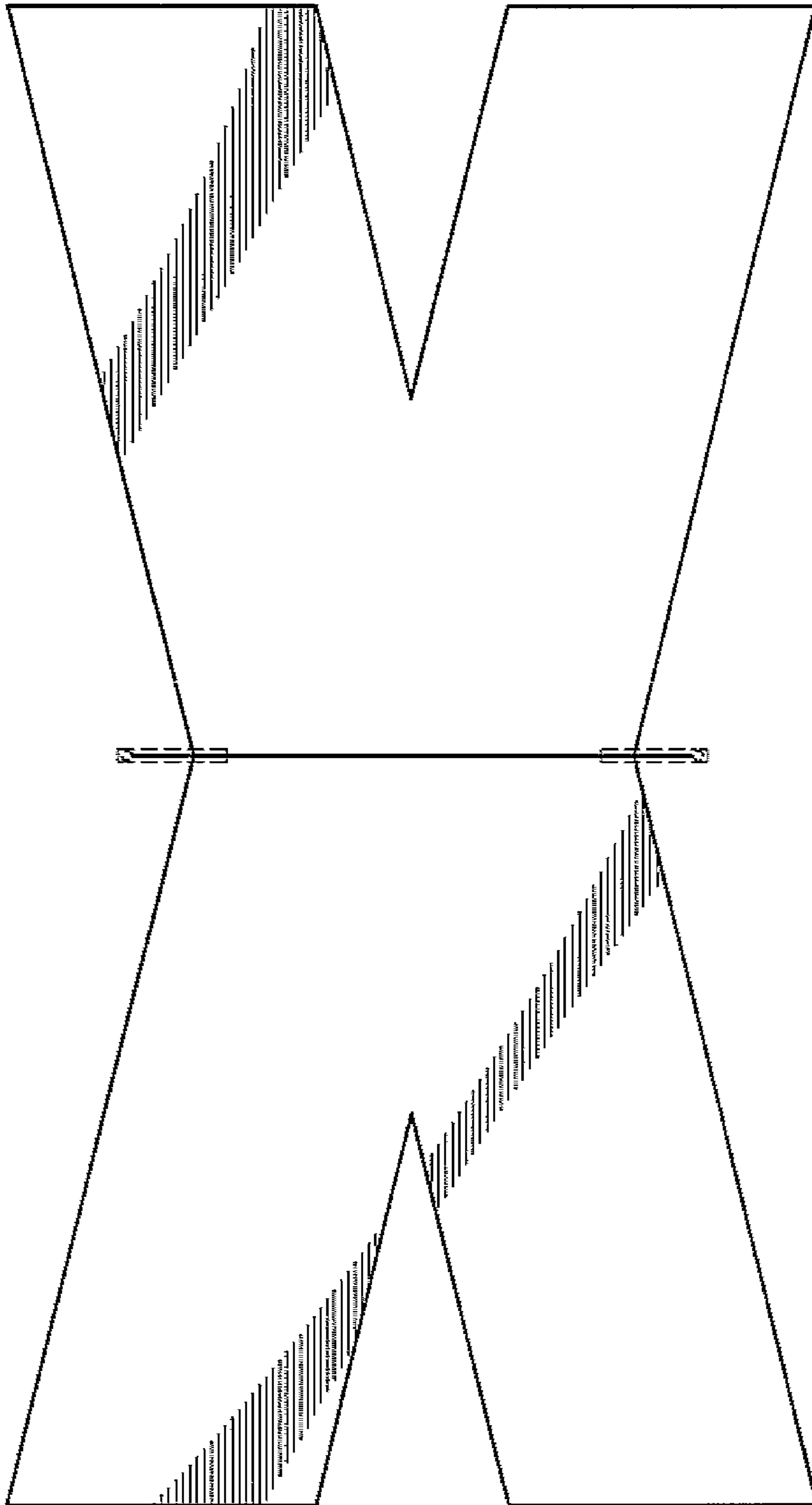


FIG. 1

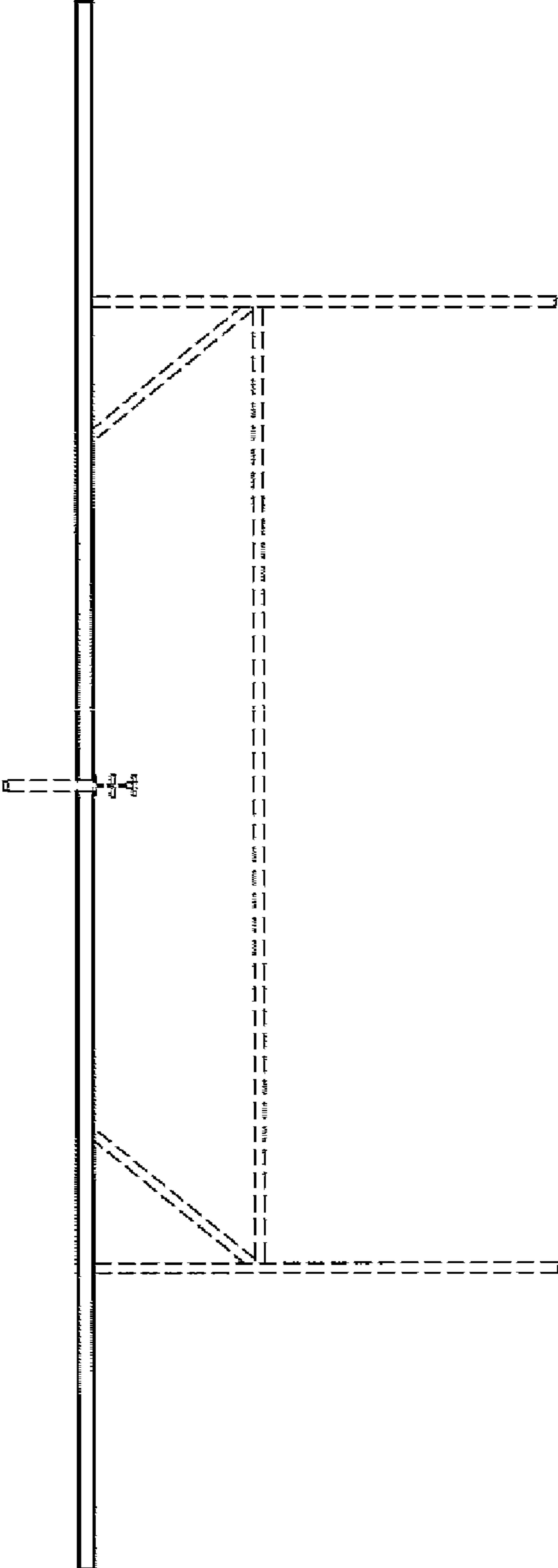


FIG. 2

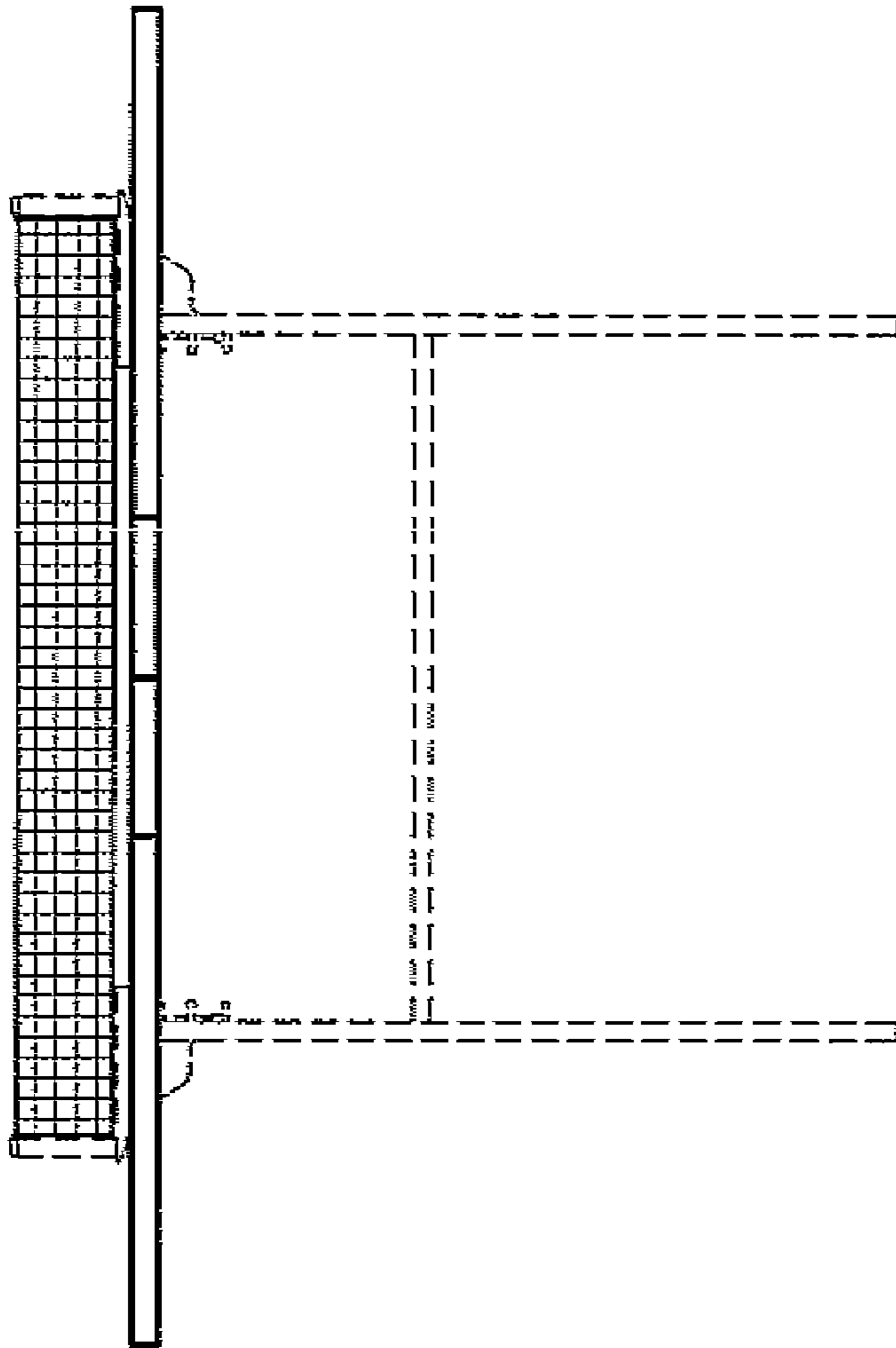


FIG. 3