

US00D667070S

(12) **United States Design Patent**
Balyeat

(10) **Patent No.:** **US D667,070 S**
(45) **Date of Patent:** **** Sep. 11, 2012**

- (54) **GOLF PRACTICE PUTTER HEAD FACE**
 - (75) Inventor: **Clay Balyeat**, Lima, OH (US)
 - (73) Assignee: **Practicepro Putter, LLC**, Lima, OH (US)
 - (**) Term: **14 Years**
 - (21) Appl. No.: **29/374,504**
 - (22) Filed: **Aug. 23, 2011**
 - (51) **LOC (9) Cl.** **21-02**
 - (52) **U.S. Cl.** **D21/791**
 - (58) **Field of Classification Search** D21/736-746,
D21/759, 789, 791; 473/236, 226, 235, 242,
473/251, 219
- See application file for complete search history.

- D385,324 S * 10/1997 Ubaney D21/759
- 5,688,189 A 11/1997 Bland
- D412,729 S 8/1999 Woodward
- 5,961,392 A 10/1999 Hillock et al.
- 6,620,055 B2 9/2003 Saso
- 6,776,727 B1 8/2004 Engdahl
- 6,780,119 B1 * 8/2004 Gankas 473/236
- 6,821,212 B2 * 11/2004 Fowler et al. 473/236
- 7,041,004 B2 5/2006 Engdahl
- 7,118,491 B2 10/2006 Mootoo
- 7,250,005 B2 7/2007 Wood et al.
- 7,309,291 B1 12/2007 Bryant et al.
- 7,374,500 B2 5/2008 Engdahl
- 7,448,955 B2 11/2008 Bryant et al.
- D583,888 S * 12/2008 Nehrbas D21/759
- D589,966 S 4/2009 Zuckerman
- D602,547 S * 10/2009 Fellows et al. D21/759
- 7,651,409 B1 1/2010 Mier
- 7,833,108 B2 11/2010 Hosowich

(Continued)

(56) **References Cited**

U.S. PATENT DOCUMENTS

- 3,039,776 A 6/1962 Fain
- 3,384,376 A 5/1968 Greenlee
- 3,437,341 A 4/1969 Haster, Jr., et al.
- 3,489,415 A * 1/1970 Smith 473/236
- 3,912,277 A 10/1975 Pelz
- 4,139,198 A * 2/1979 Kanavas 473/236
- 4,323,246 A * 4/1982 Nehrbas, Jr. 473/236
- 4,776,594 A 10/1988 Rango
- 4,989,876 A 2/1991 Hawkins, Sr. et al.
- 5,135,228 A * 8/1992 Hawkins et al. 473/236
- 5,193,806 A 3/1993 Burkly
- 5,240,253 A 8/1993 Cooper
- 5,314,184 A 5/1994 Schmidt et al.
- 5,362,056 A 11/1994 Minotti
- D353,178 S * 12/1994 Koleoglou D21/759
- 5,411,263 A 5/1995 Schmidt et al.
- D360,671 S 7/1995 Landreth
- 5,433,441 A 7/1995 Olsen et al.
- 5,478,078 A 12/1995 Lee
- D375,130 S 10/1996 Hlinka et al.
- D378,770 S 4/1997 Hlinka et al.
- 5,632,695 A 5/1997 Hlinka et al.

FOREIGN PATENT DOCUMENTS

GB 2373735 10/2002

Primary Examiner — Mitchell Siegel

(74) *Attorney, Agent, or Firm* — David C. Purdue

(57) **CLAIM**

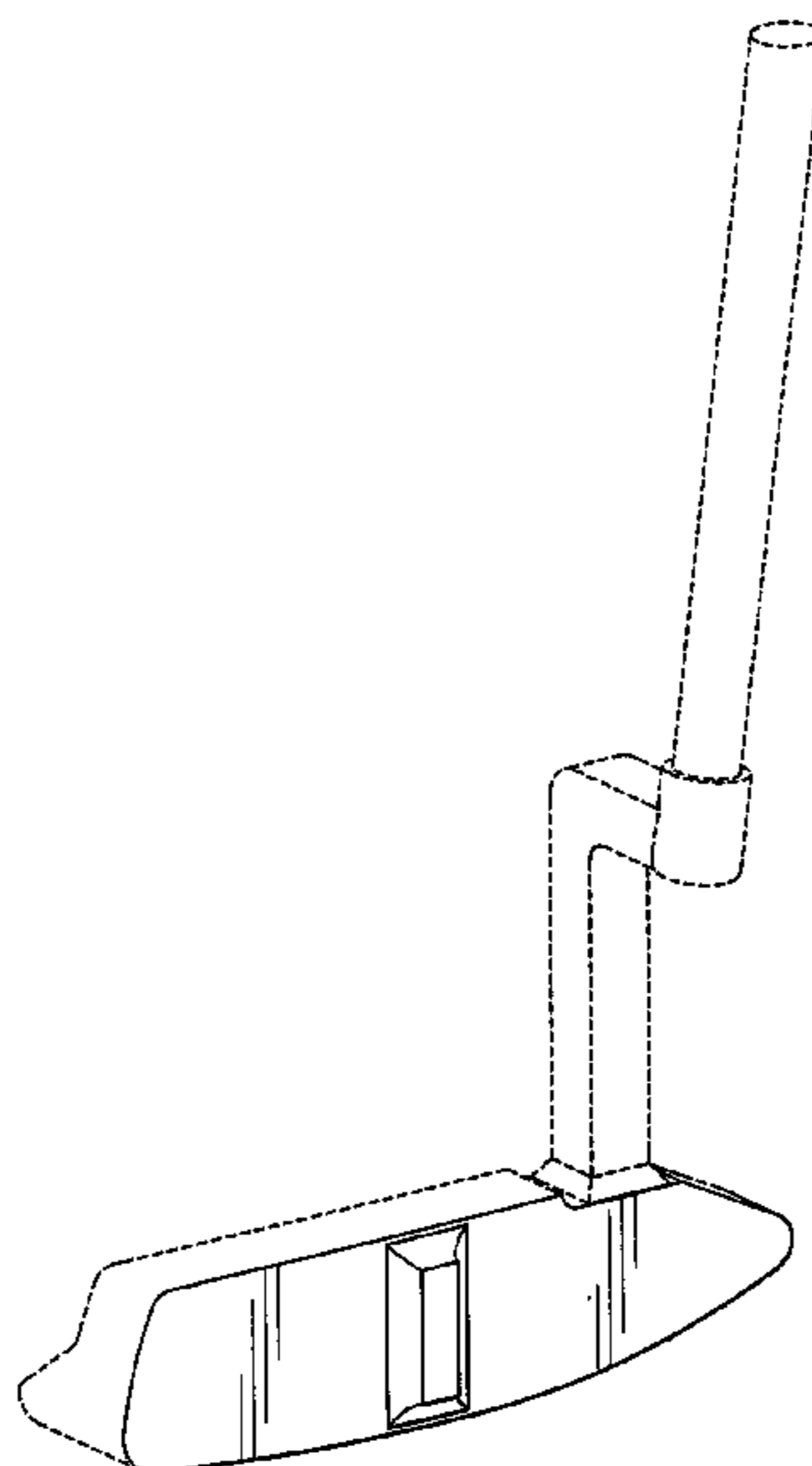
The ornamental design for a golf practice putter head face, as shown.

DESCRIPTION

FIG. 1 is a perspective view of the golf practice putter head face;
 FIG. 2 is a front view thereof;
 FIG. 3 is a left side view thereof;
 FIG. 4 is a right side view thereof;
 FIG. 5 is a top view thereof; and,
 FIG. 6 is a bottom view thereof.

The undisclosed rear side of the golf practice putter head face forms no part of the claimed design.

1 Claim, 4 Drawing Sheets



US D667,070 S

Page 2

U.S. PATENT DOCUMENTS

D631,523 S *	1/2011	Pingalore	D21/789	2003/0134686 A1	7/2003	Arkley et al.	
2002/0072430 A1	6/2002	Bullock et al.		2006/0135278 A1*	6/2006	Lee	473/236
2002/0177486 A1	11/2002	Lazier et al.		2007/0293335 A1	12/2007	Walsh	

* cited by examiner

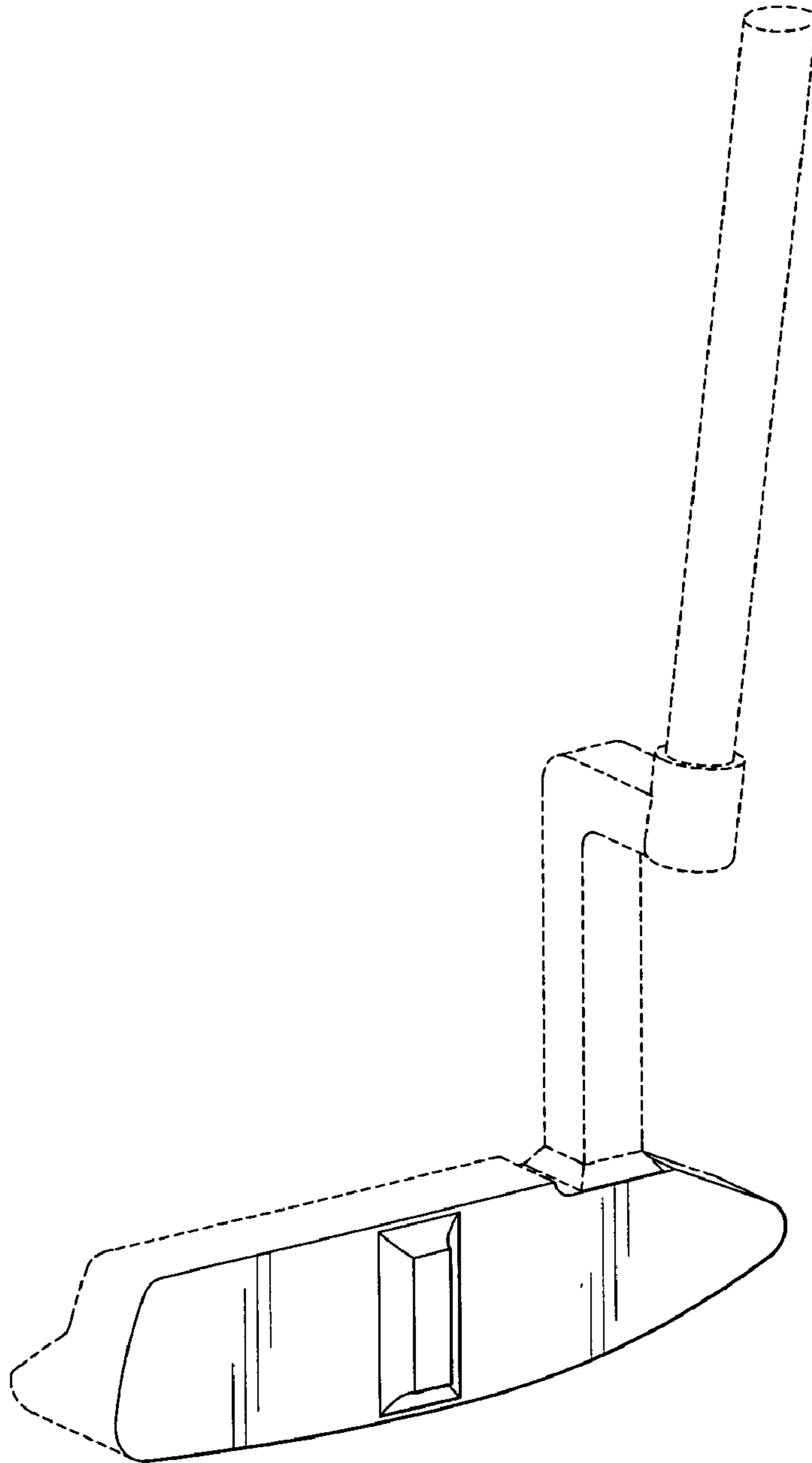


FIG. 1

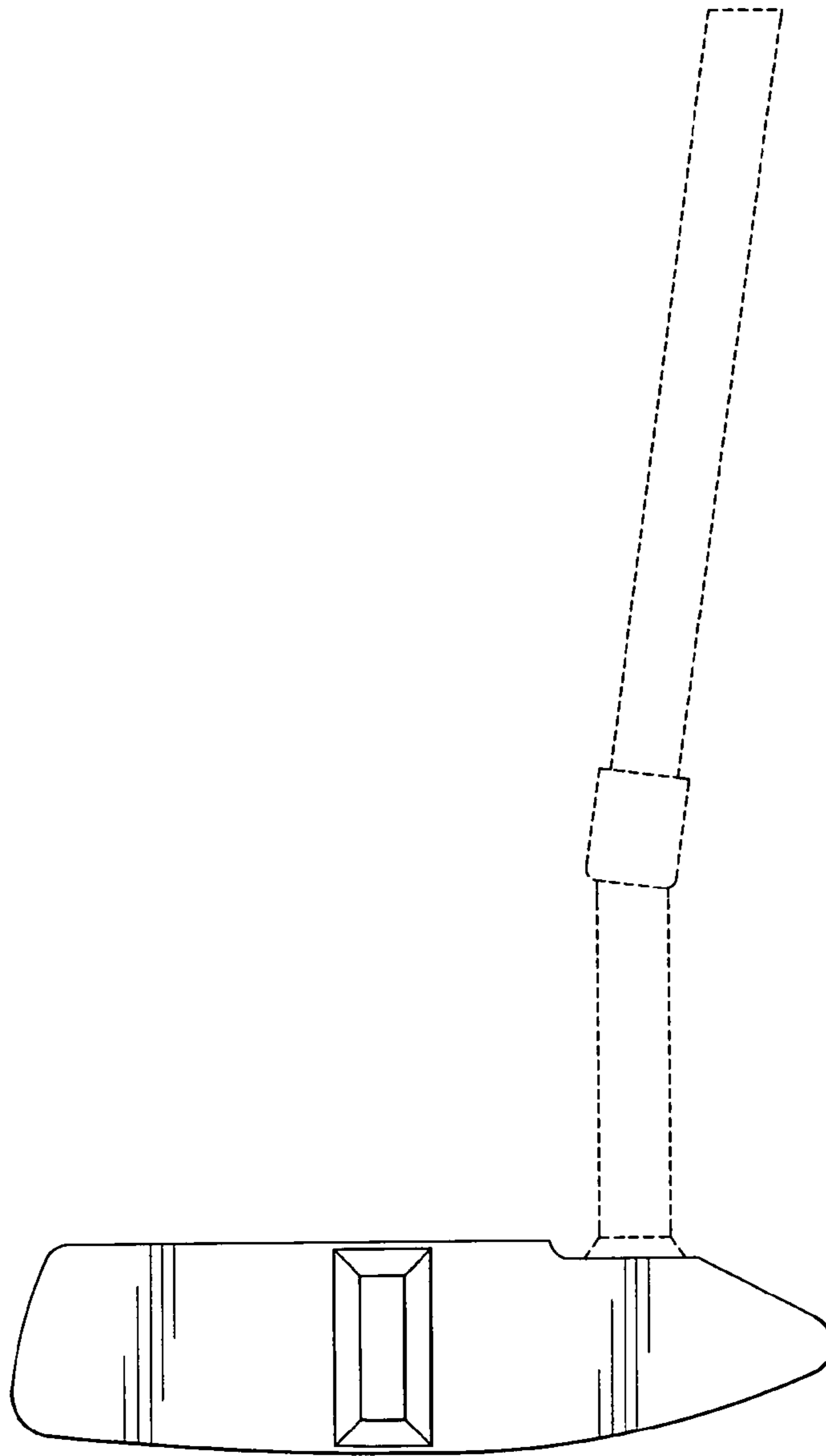


FIG. 2

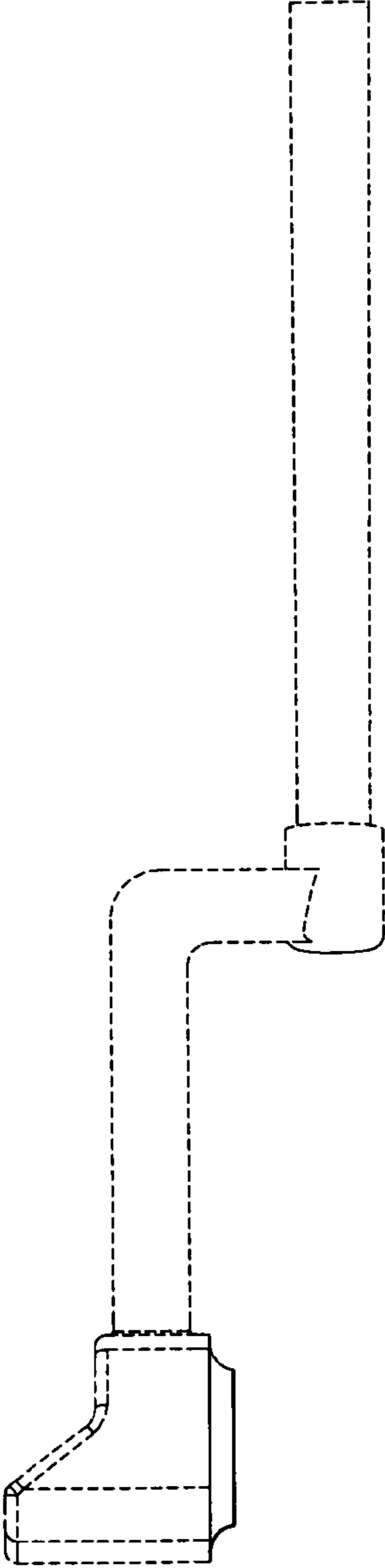


FIG.3

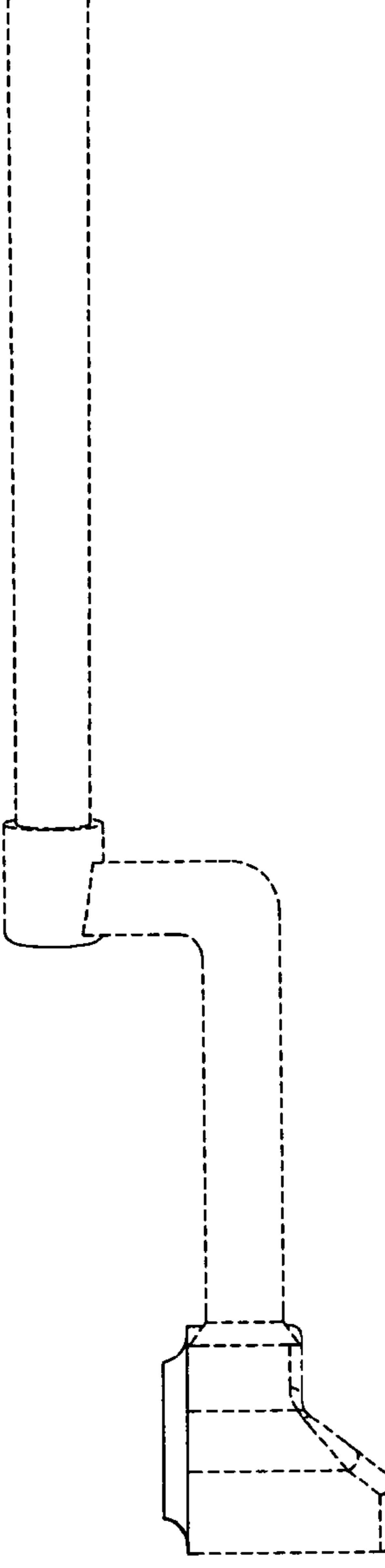


FIG.4

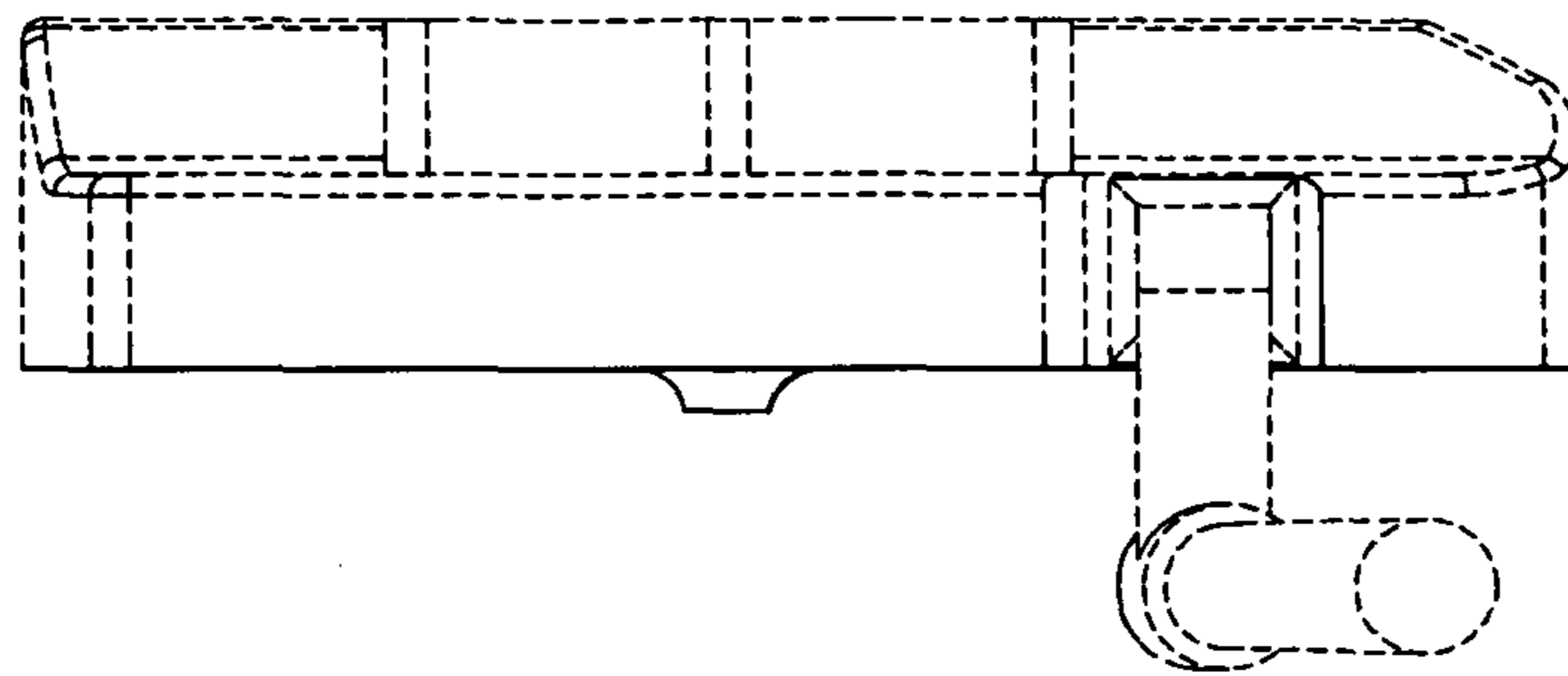


FIG. 5

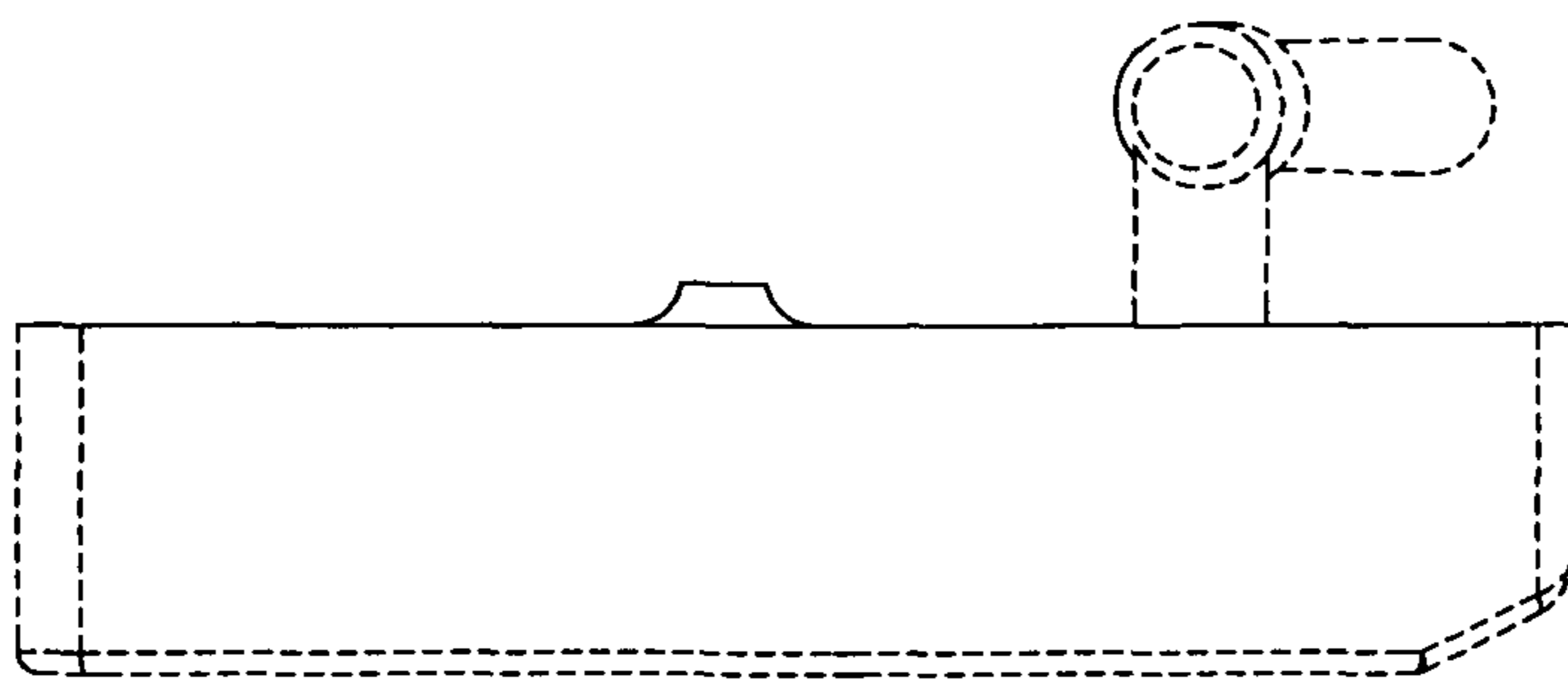


FIG. 6