



US00D667069S

(12) **United States Design Patent**
Dandrea

(10) **Patent No.:** **US D667,069 S**
(45) **Date of Patent:** **** Sep. 11, 2012**

(54) **GOLF SWING TRAINING AID**

(76) Inventor: **John A. Dandrea**, Marlton, NJ (US)

(**) Term: **14 Years**

(21) Appl. No.: **29/373,320**

(22) Filed: **Mar. 30, 2011**

(51) **LOC (9) Cl.** **21-02**

(52) **U.S. Cl.** **D21/791**

(58) **Field of Classification Search** D21/789,
D21/791; 473/218, 270-273, 265
See application file for complete search history.

(56) **References Cited**

U.S. PATENT DOCUMENTS

D311,568 S *	10/1990	Jacques	D21/791
D402,730 S *	12/1998	Hicks	D21/791
D427,267 S *	6/2000	Laperle et al.	D21/791
D431,276 S *	9/2000	Warkmeistetr	D21/791
D446,276 S *	8/2001	Bankhead	D21/791
D452,543 S *	12/2001	Hiatt	D21/789
D508,547 S *	8/2005	Llewellyn	D21/791
D593,628 S *	6/2009	Kallenbach	D21/791

* cited by examiner

Primary Examiner — Mitchell Siegel

(74) *Attorney, Agent, or Firm* — Armand M. Vozzo, Jr.

(57) **CLAIM**

The ornamental design for a golf swing training aid, as shown and described.

DESCRIPTION

FIG. 1 is a top perspective view of my golf swing training aid, the grip end of a golf club being shown in broken lines for illustrative purposes only and forming no part of the claimed design;

FIG. 2 is a side elevational view of my golf swing training aid;

FIG. 3 is an opposite side elevational view of FIG. 2;

FIG. 4 is a front elevational view of my golf swing training aid;

FIG. 5 is a rear elevational view thereof;

FIG. 6 is top plan view of my golf swing training aid; and,

FIG. 7 is a bottom plan view thereof.

The broken line showing is included for the purpose of illustrating and forms no part of the claimed design.

1 Claim, 4 Drawing Sheets

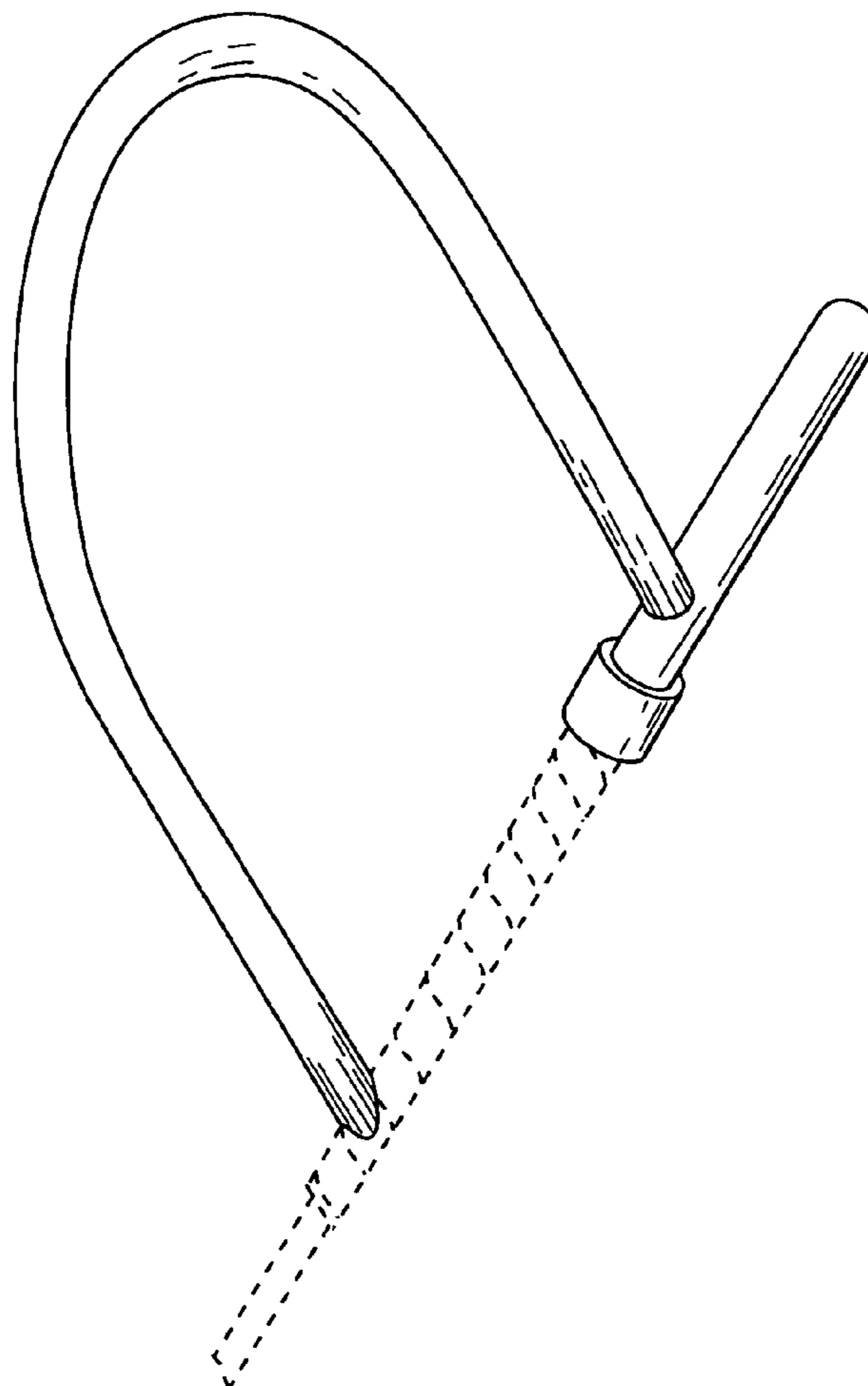
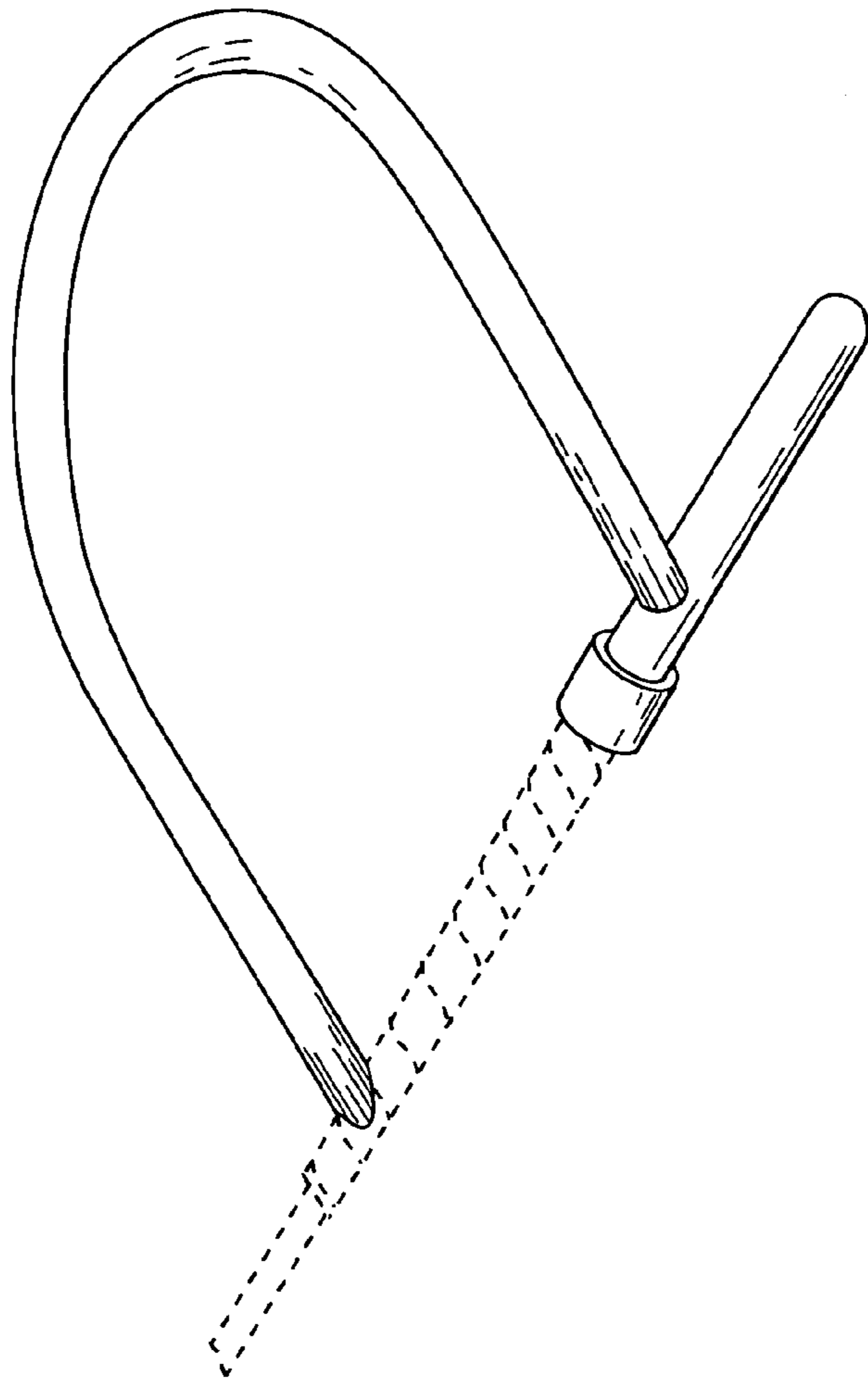


FIG. 1



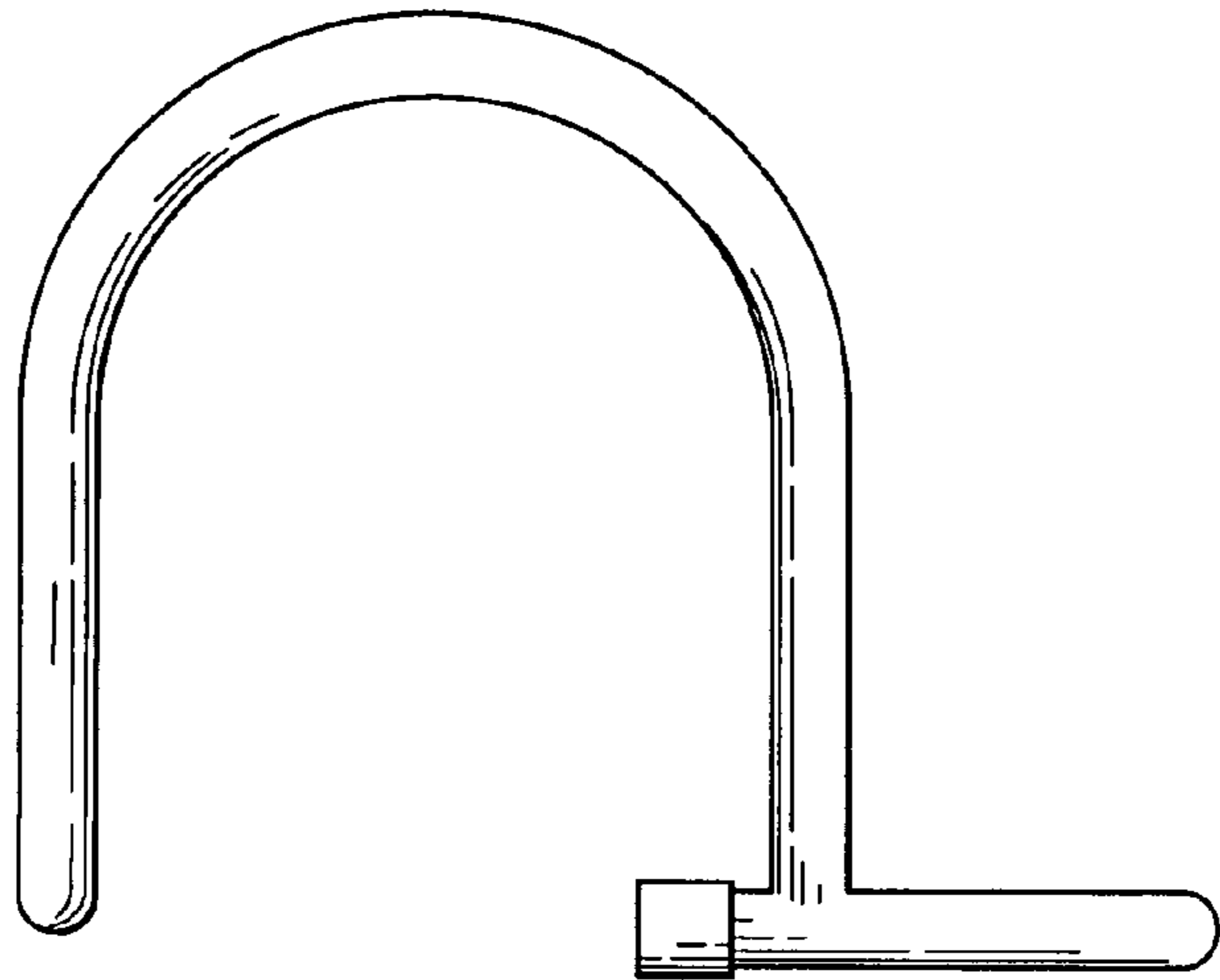


FIG. 2

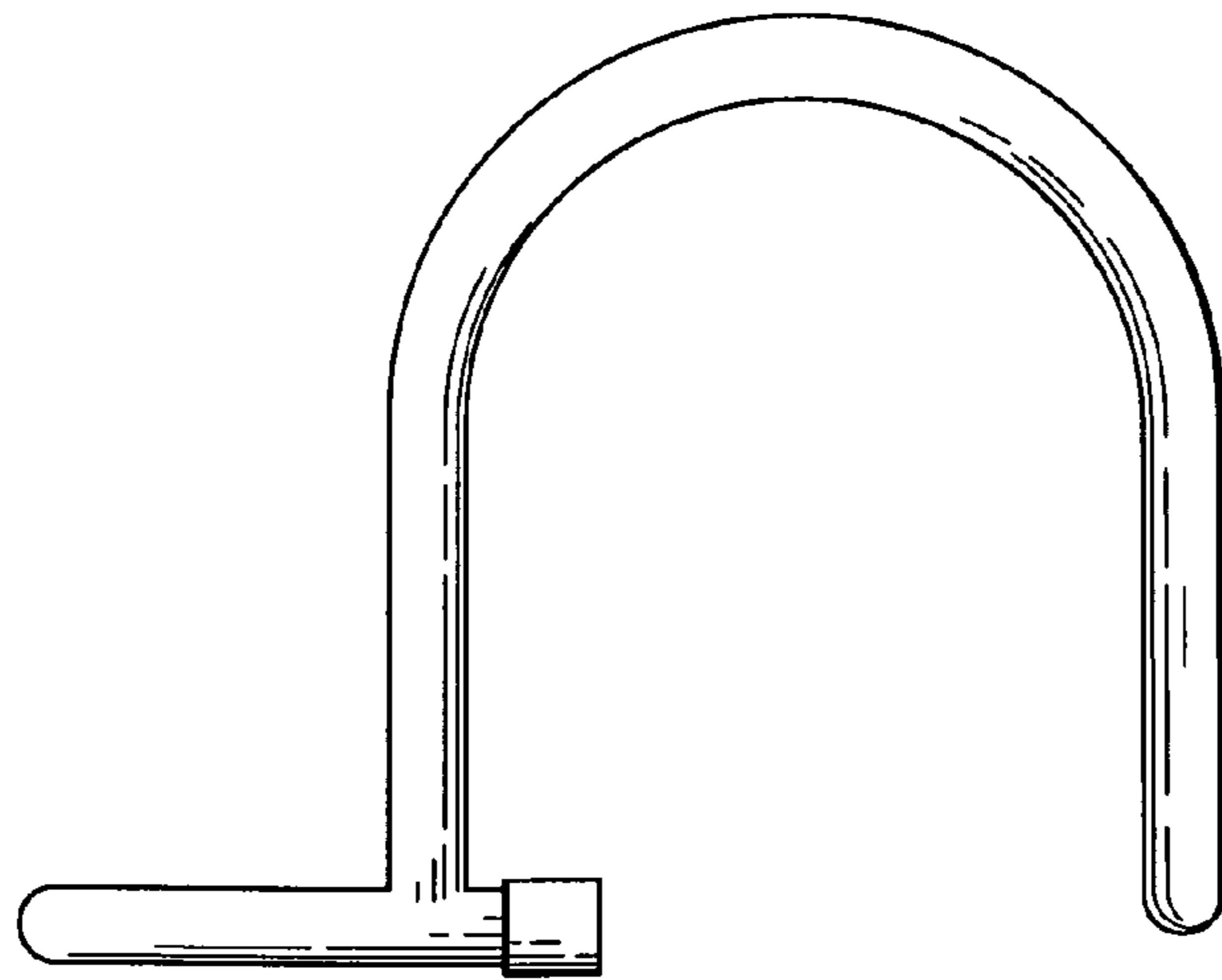


FIG. 3

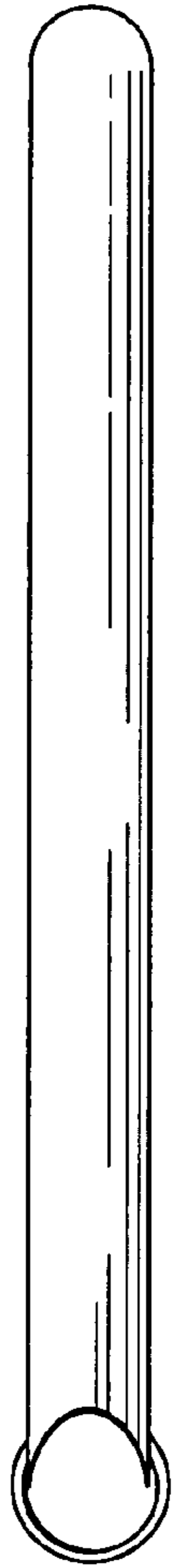


FIG. 4



FIG. 5

FIG. 6

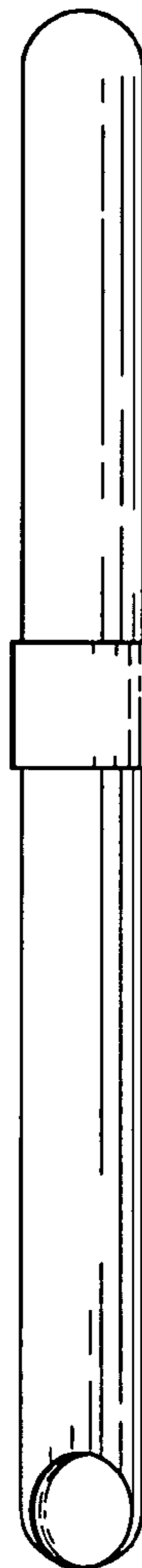


FIG. 7