



US00D667068S

(12) **United States Design Patent**
Loudenslager

(10) **Patent No.:** **US D667,068 S**

(45) **Date of Patent:** **** Sep. 11, 2012**

(54) **GOLF CLUB HEAD**

(75) Inventor: **John H. Loudenslager**, Phoenix, AZ
(US)

(73) Assignee: **Karsten Manufacturing Corporation**,
Phoenix, AZ (US)

(**) Term: **14 Years**

(21) Appl. No.: **29/418,473**

(22) Filed: **Apr. 17, 2012**

(51) **LOC (9) Cl.** **21-02**

(52) **U.S. Cl.** **D21/759**

(58) **Field of Classification Search** D21/736,
D21/742-746, 752, 759; 473/324-331, 343-346
See application file for complete search history.

(56) **References Cited**

U.S. PATENT DOCUMENTS

1,993,928 A	3/1935	Glover	
2,041,676 A	5/1936	Gallagher	
2,859,972 A	11/1958	Reach	
2,934,347 A	4/1960	Siniscalchi	
D231,624 S	5/1974	Wilmoth	
3,884,477 A	5/1975	Bianco	
3,888,484 A	6/1975	Zitko	
3,997,170 A *	12/1976	Goldberg	473/327
4,065,133 A *	12/1977	Gordos	473/327
D248,179 S	6/1978	Riley	
4,139,196 A	2/1979	Riley	
4,222,566 A	9/1980	Berry	
4,832,344 A	5/1989	Werner	
5,221,086 A	6/1993	Antonious	
5,310,186 A	5/1994	Solhelm	
5,324,031 A	6/1994	Green	
5,335,914 A	8/1994	Long	
D352,755 S	11/1994	Cornish, III	
D357,290 S	4/1995	Viollaz	

5,505,448 A	4/1996	Park	
5,533,728 A *	7/1996	Pehoski et al.	473/252
5,547,188 A	8/1996	Dumontier	
D379,391 S	5/1997	Moore	
5,658,206 A	8/1997	Antonious	
D393,674 S *	4/1998	Rhee	D21/745
5,795,245 A	8/1998	Chang	
D398,682 S	9/1998	Moore	

(Continued)

OTHER PUBLICATIONS

Kevin W. Flaherty et al., "Club Head with Club Head Alignment Aid and Related Method," U.S. Appl. No. 13/345,541, filed Jan. 6, 2012.

(Continued)

Primary Examiner — Mitchell Siegel

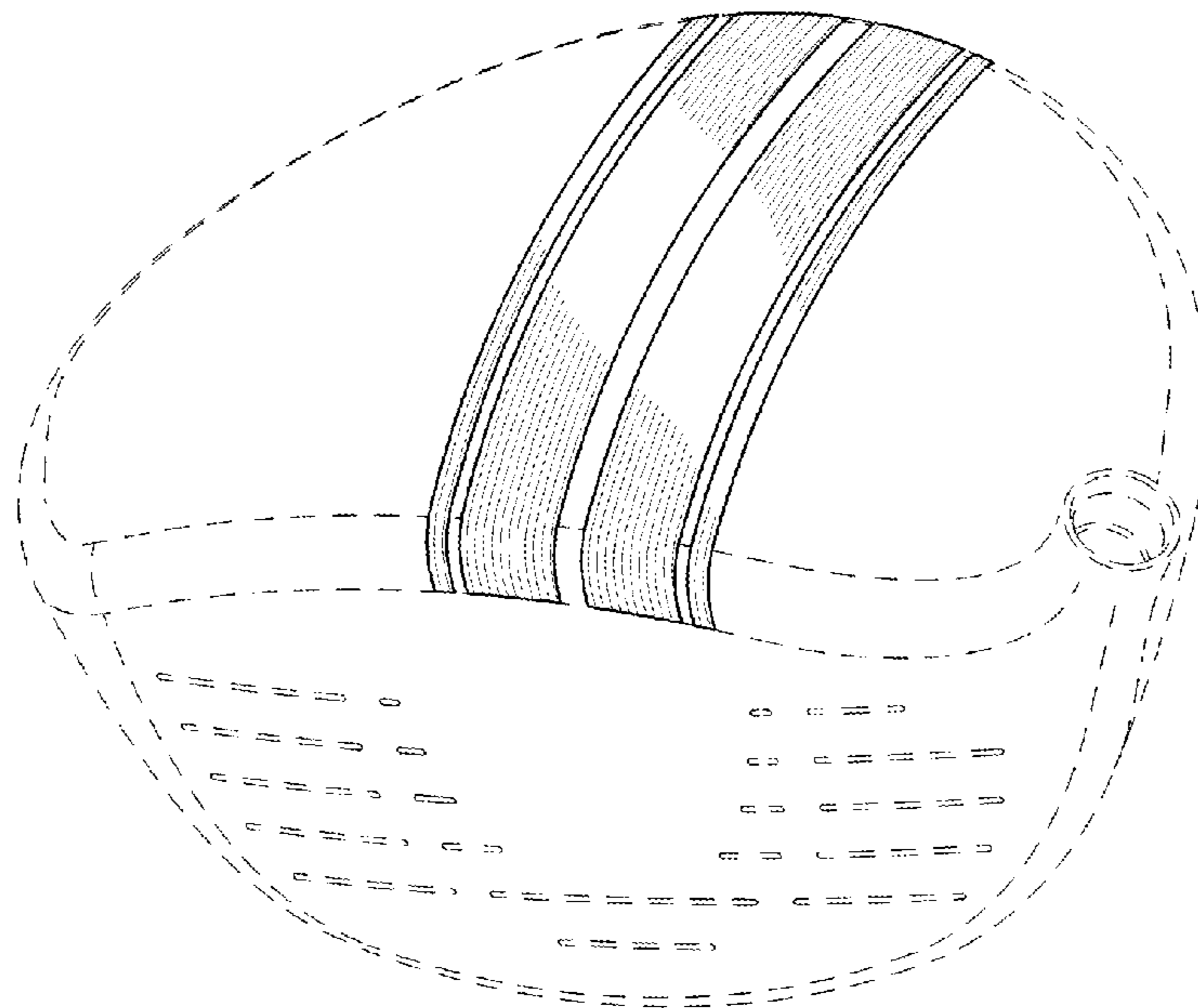
(57) **CLAIM**

The ornamental design for a golf club head, as shown and described.

DESCRIPTION

FIG. 1 is a top perspective view of a golf club head;
FIG. 2 is a bottom perspective view of the golf club head of FIG. 1;
FIG. 3 is a front view of the golf club head of FIG. 1;
FIG. 4 is a rear view of the golf club head of FIG. 1;
FIG. 5 is a top view of the golf club head of FIG. 1;
FIG. 6 is a bottom view of the golf club head of FIG. 1;
FIG. 7 is a right view of the golf club head of FIG. 1; and,
FIG. 8 is a left view of the golf club head of FIG. 1.
The broken lines shown in one or more of the figures are for illustrative purposes only and form no part of the claimed design.

1 Claim, 5 Drawing Sheets



US D667,068 S

U.S. PATENT DOCUMENTS							
D399,899	S	*	10/1998 Sizemore, Jr.	D21/742	D557,363	S	12/2007 Jertson
D402,340	S		12/1998 Sheets		D558,287	S	12/2007 Jertson
D404,098	S		1/1999 Ishikawa		D558,288	S	12/2007 Jertson
D405,137	S	*	2/1999 Nelson	D21/738	D561,286	S	2/2008 Morales
5,980,394	A		11/1999 Domas		D562,421	S	2/2008 Jertson
D418,888	S		1/2000 Williams		7,326,472	B2	2/2008 Shimazaki
D424,642	S	*	5/2000 Reed et al.	D21/744	D563,498	S	3/2008 Jertson
D425,157	S	*	5/2000 Reed et al.	D21/744	D564,054	S	3/2008 Jertson
D425,589	S		5/2000 Ishikawa		D564,055	S	3/2008 Jertson
6,062,986	A		5/2000 Kaise		D564,056	S	3/2008 Chen
D426,601	S	*	6/2000 Reed et al.	D21/744	D566,214	S	4/2008 Evans
D426,604	S		6/2000 Besnard		D567,317	S	4/2008 Jertson
6,074,310	A		6/2000 Ota		D567,891	S	4/2008 Serrano
6,080,069	A		6/2000 Long		D569,933	S	5/2008 Jertson
D433,073	S		10/2000 Sodano		D569,934	S	5/2008 Jertson
D434,820	S	*	12/2000 Reed et al.	D21/744	D569,935	S	5/2008 Schweigert
D437,624	S		2/2001 Tate		D569,936	S	5/2008 Schweigert
D441,818	S		5/2001 Sato		D569,937	S	5/2008 Sanchez
D442,245	S		5/2001 Roach		D569,938	S	5/2008 Sanchez
D445,470	S		7/2001 Teramoto		D570,937	S	6/2008 Schweigert
D446,268	S		8/2001 Satoh		D570,938	S	6/2008 Jertson
D446,563	S		8/2001 Besnard		D570,939	S	6/2008 Chen
6,342,018	B1	*	1/2002 Mason	473/252	D570,940	S	6/2008 Chen
D461,865	S		8/2002 Nagai		D570,941	S	6/2008 Chen
D463,838	S		10/2002 Besnard		D571,882	S	6/2008 Soracco
D465,251	S		11/2002 Wood		D572,324	S	7/2008 Chen
6,475,102	B2		11/2002 Helmstetter		D572,782	S	7/2008 Sanchez
D469,141	S		1/2003 Poynor		D572,783	S	7/2008 Sanchez
D472,950	S		4/2003 Burnett		D572,784	S	7/2008 Sanchez
6,605,006	B2	*	8/2003 Mason	473/252	D572,785	S	7/2008 Chen
D482,421	S		11/2003 Kessler		D572,787	S	7/2008 Sanchez
D490,489	S		5/2004 Madore		D572,791	S	7/2008 Jertson
D492,745	S		7/2004 Tang		D573,213	S	7/2008 Sanchez
D501,903	S	*	2/2005 Tanaka	D21/752	D573,214	S	7/2008 Sanchez
D502,976	S		3/2005 Nishitani		D573,215	S	7/2008 Sanchez
D508,544	S		8/2005 Madore		D573,216	S	7/2008 Sanchez
D509,272	S		9/2005 Smith		D573,217	S	7/2008 Sanchez
6,939,247	B1		9/2005 Schweigert		D573,218	S	7/2008 Sanchez
D513,424	S		1/2006 Erickson		D573,674	S	7/2008 Sanchez
D514,179	S		1/2006 Chen		D573,675	S	7/2008 Sanchez
6,988,960	B2		1/2006 Mahaffey		D573,676	S	7/2008 Chen
D518,129	S		3/2006 Poynor		D573,678	S	7/2008 Kawami
D518,543	S		4/2006 Aguinaldo		D574,046	S	7/2008 Chen
D521,093	S		5/2006 Jorgensen		D574,048	S	7/2008 Kadoya
D522,077	S		5/2006 Schweigert		D574,049	S	7/2008 Kadoya
D522,601	S		6/2006 Schweigert		D574,050	S	7/2008 Jones
D523,103	S		6/2006 Hocknell		7,396,296	B2	7/2008 Evans
D523,498	S		6/2006 Chen		D574,456	S	8/2008 Chen
D523,502	S		6/2006 Jorgensen		D578,587	S	10/2008 Hoffman
7,077,757	B1		7/2006 Payne		D579,066	S	10/2008 Dipert
D526,694	S		8/2006 Schweigert		D579,067	S	10/2008 Hoffman
D529,111	S		9/2006 Cleveland		D580,504	S	11/2008 Bosilkovski
D530,761	S		10/2006 Evans		D583,432	S	12/2008 Serrano
D532,473	S		11/2006 Chen		D587,772	S	3/2009 Ferguson
D532,474	S		11/2006 Bennett		D588,217	S	3/2009 Jertson
D532,854	S		11/2006 Oldknow		D588,220	S	3/2009 Ferguson
D535,343	S		1/2007 Chen		D588,659	S	3/2009 Jertson
D536,049	S		1/2007 Evans		D589,576	S	3/2009 Kadoya
D537,139	S		2/2007 Breier		7,503,854	B2	3/2009 Galloway
D537,495	S		2/2007 Schweigert		D591,810	S	5/2009 Murphy
D537,496	S		2/2007 Serrano		D591,817	S	5/2009 Murphy
D537,895	S		3/2007 Breier		D591,818	S	5/2009 Roberts
D538,363	S		3/2007 Schweigert		D594,518	S	6/2009 Schweigert
D538,371	S		3/2007 Kawami		D594,521	S	6/2009 Jertson
D538,866	S		3/2007 Kim		D594,919	S	6/2009 Schweigert
D538,867	S		3/2007 Cleveland		D595,381	S	6/2009 Waggoner
D539,371	S		3/2007 Serrano et al.		D596,252	S	7/2009 Jertson
D541,364	S		4/2007 Barez		D598,062	S	8/2009 Dipert
D549,792	S	*	8/2007 Parise	D21/752	D600,297	S	9/2009 Jertson
D550,318	S		9/2007 Oldknow		D603,472	S	11/2009 Schweigert
D550,799	S		9/2007 Lin		D603,919	S	11/2009 Gray
D552,198	S		10/2007 Schweigert		D604,376	S	11/2009 Darley
D553,206	S		10/2007 Morales		D609,293	S	2/2010 Williams
D555,745	S		11/2007 Rollinson		D609,294	S	2/2010 Oldknow
D557,362	S		12/2007 Serrano		D611,555	S	3/2010 Oldknow
					D612,005	S	3/2010 Oldknow
					7,677,987	B2	3/2010 Hilton 473/242
					D613,805	S	4/2010 Sutovsky
					D618,747	S	6/2010 Schweigert

US D667,068 S

Page 3

D618,753 S	6/2010	Jertson
D618,754 S	6/2010	Schweigert
7,828,669 B1	11/2010	Stites
7,892,111 B2	2/2011	Morales
D635,626 S	4/2011	Nicolette
D638,896 S	5/2011	Schweigert
7,955,180 B2	6/2011	Bittner
D647,585 S	10/2011	Jertson et al.
2005/0043117 A1	2/2005	Gilbert
2008/0015045 A1	1/2008	Payne
2008/0039228 A1	2/2008	Breier
2008/0171612 A1	7/2008	Serrano
2008/0188322 A1	8/2008	Anderson
2009/0275419 A1	11/2009	Cackett
2010/0304878 A1	12/2010	Reichow
2010/0323806 A1	12/2010	Stites
2011/0081982 A1	4/2011	Stites

OTHER PUBLICATIONS

Michael R. Nicolette et al., "Golf Club Head," U.S. Appl. No. 29/410,791, filed Jan. 12, 2012.

Michael R. Nicolette et al., "Golf Club Head," U.S. Appl. No. 29/410,836, filed Jan. 12, 2012.

Ryan M. Stokke et al., "Golf Club Head," U.S. Appl. No. 29/412,909, filed Feb. 9, 2012.

Ryan M. Stokke et al., "Golf Club Head," U.S. Appl. No. 29/412,924, filed Feb. 9, 2012.

Ely Callaway, Golf Putter|Odyssey White Ice 2-Ball Lined Putters|Odyssey Golf; 2011, Product Overview, <http://shop.callawaygolf.com/putters-white-ice-2-ball-lined-2011/putters-white-ice-2-ball>

PureShot Driver by ExcitoGolf, <http://excitogolf.com/pureshotdriver.html>.

* cited by examiner

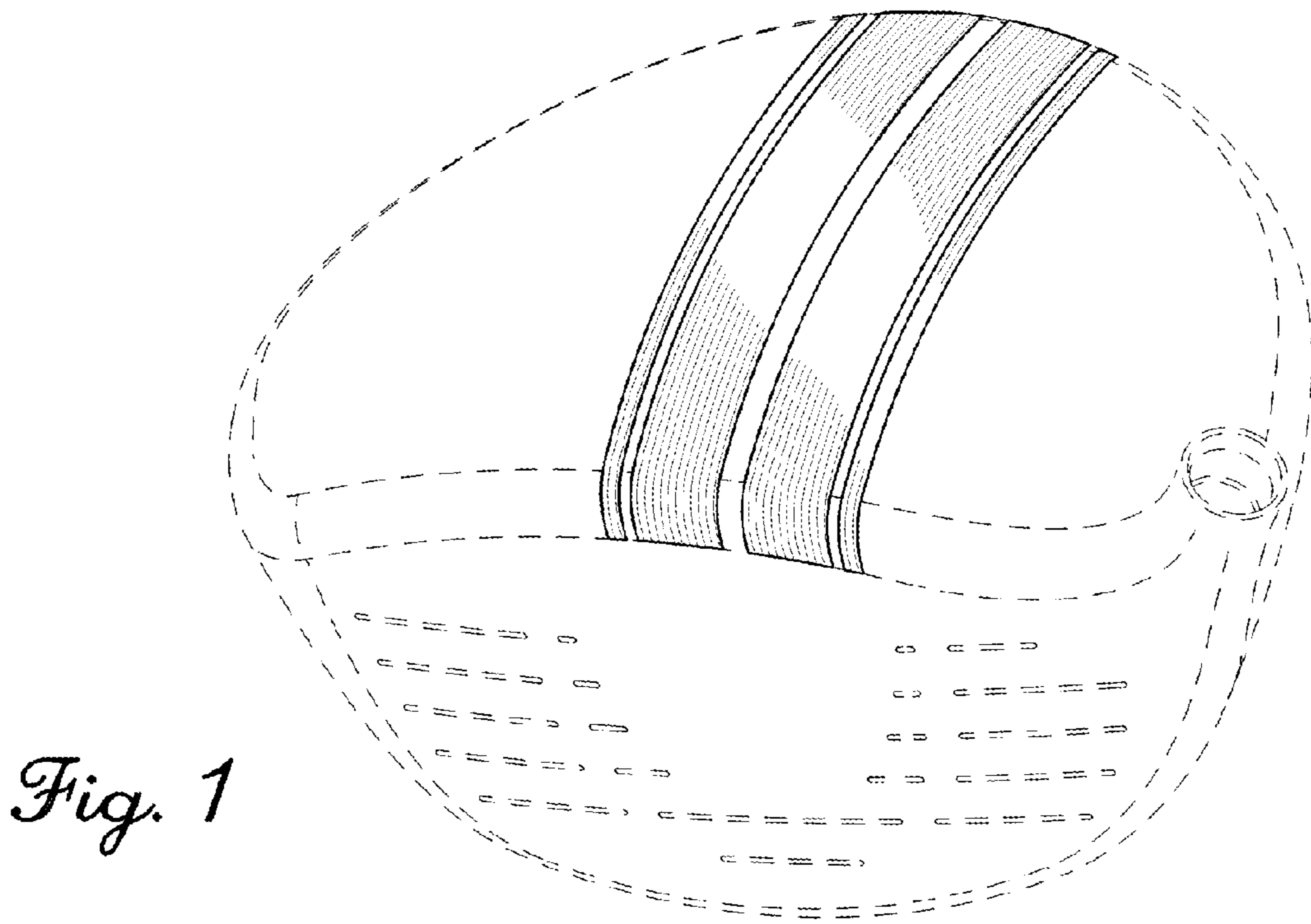


Fig. 1

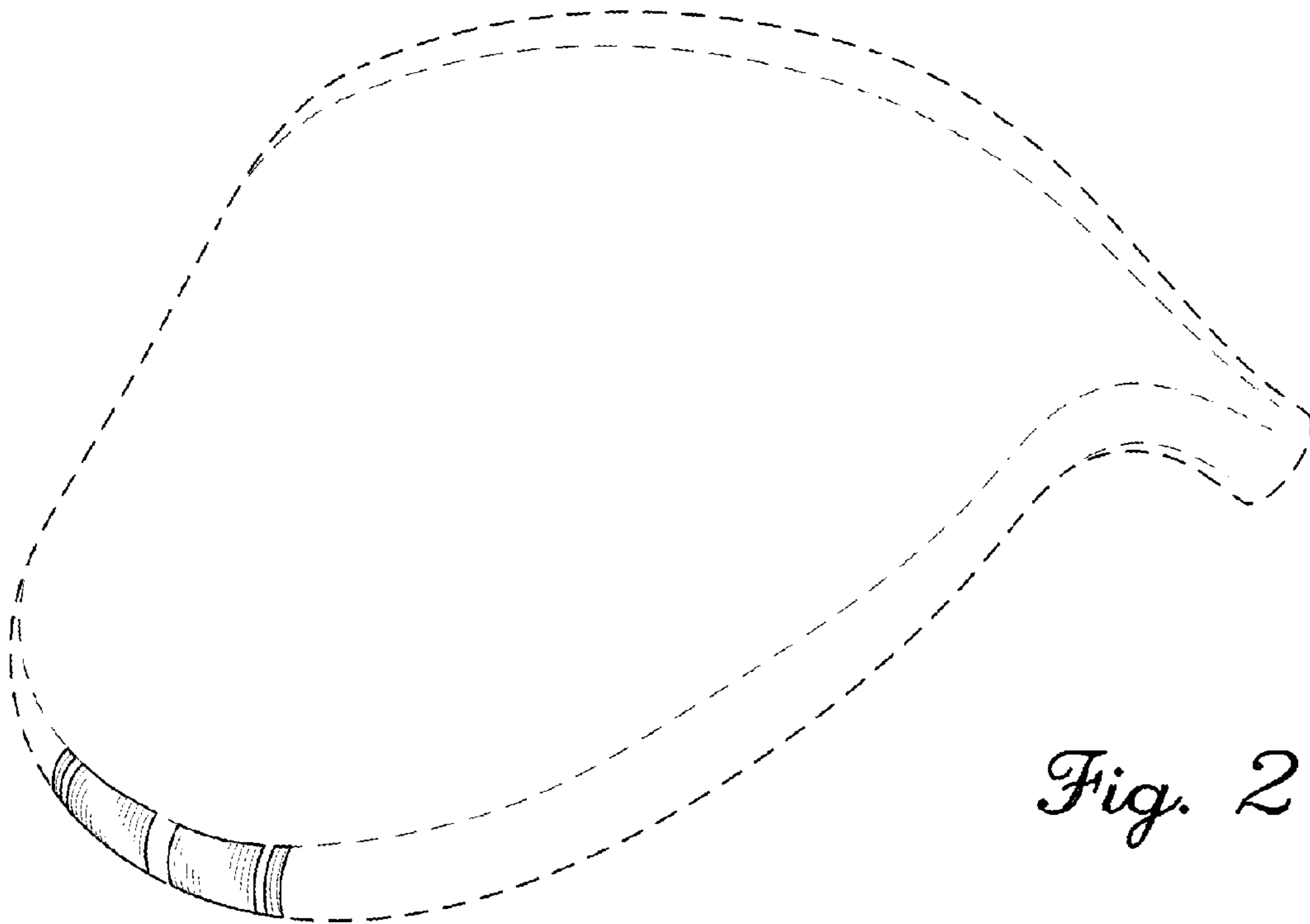


Fig. 2

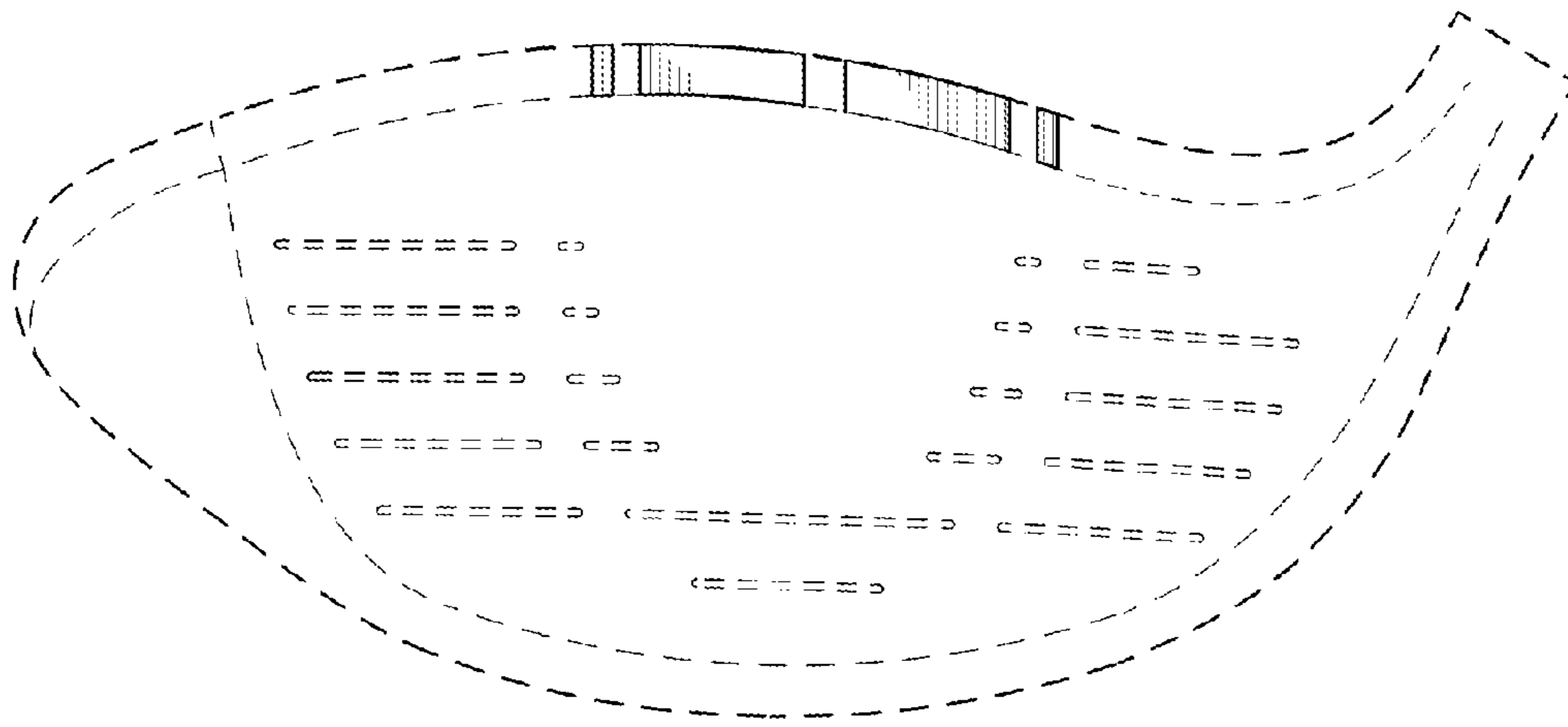


Fig. 3

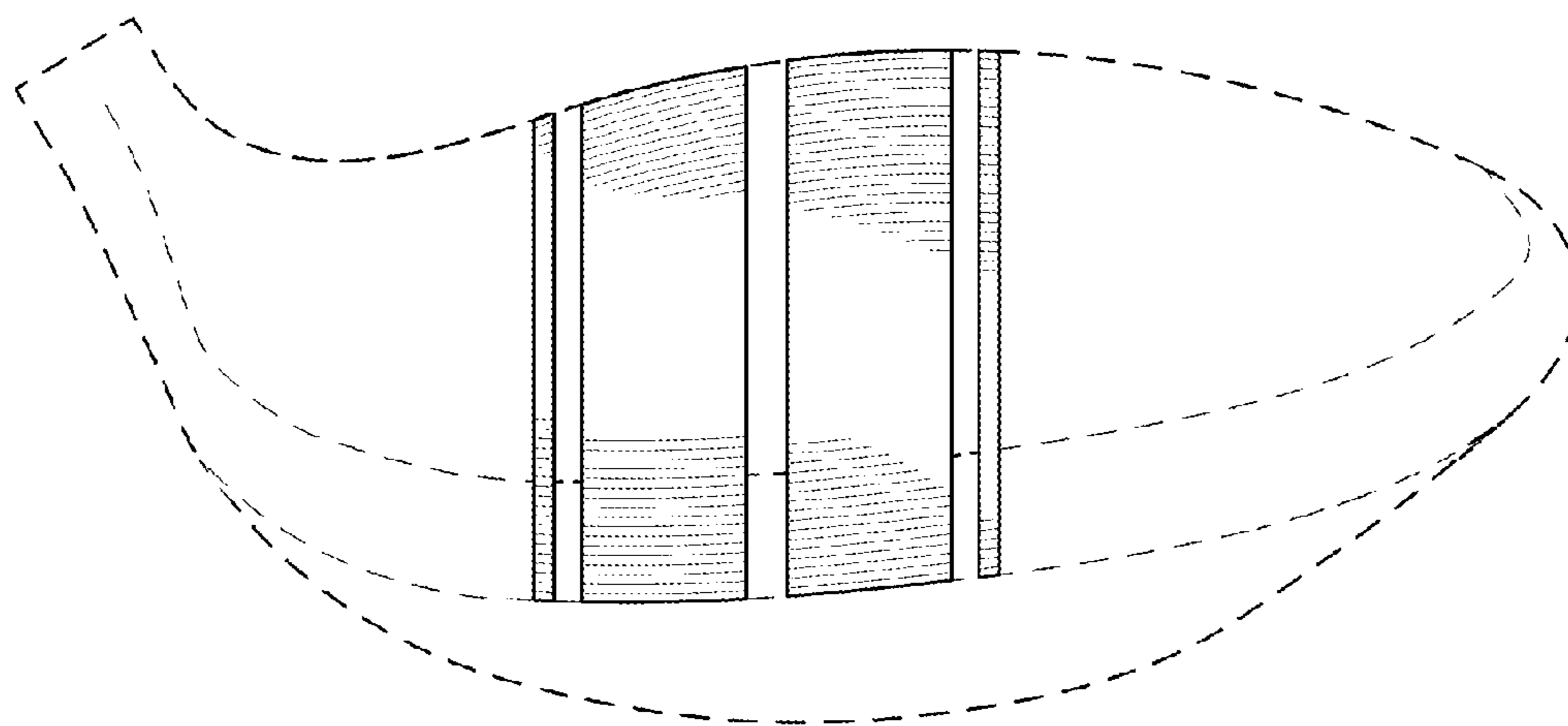


Fig. 4

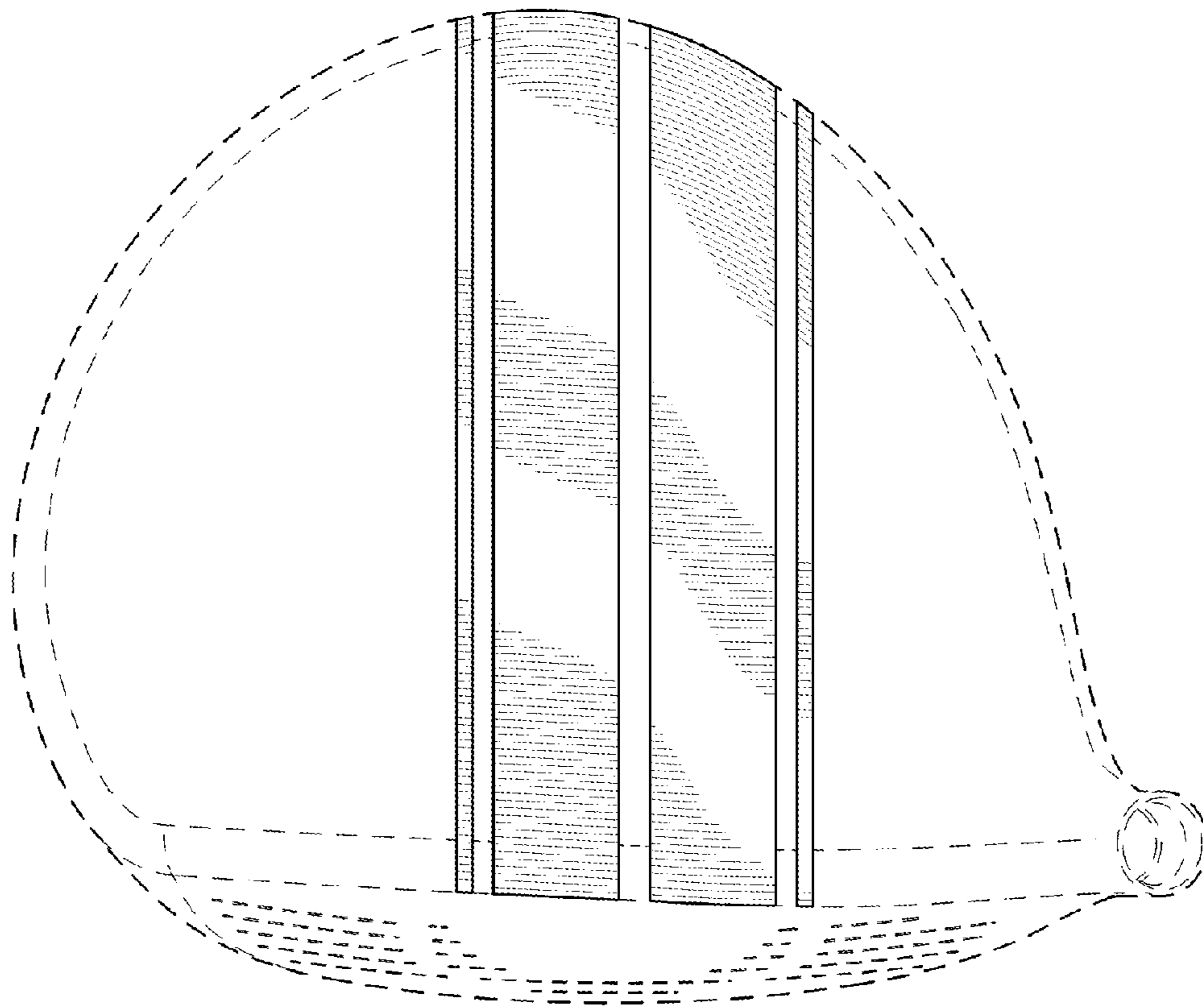


Fig. 5

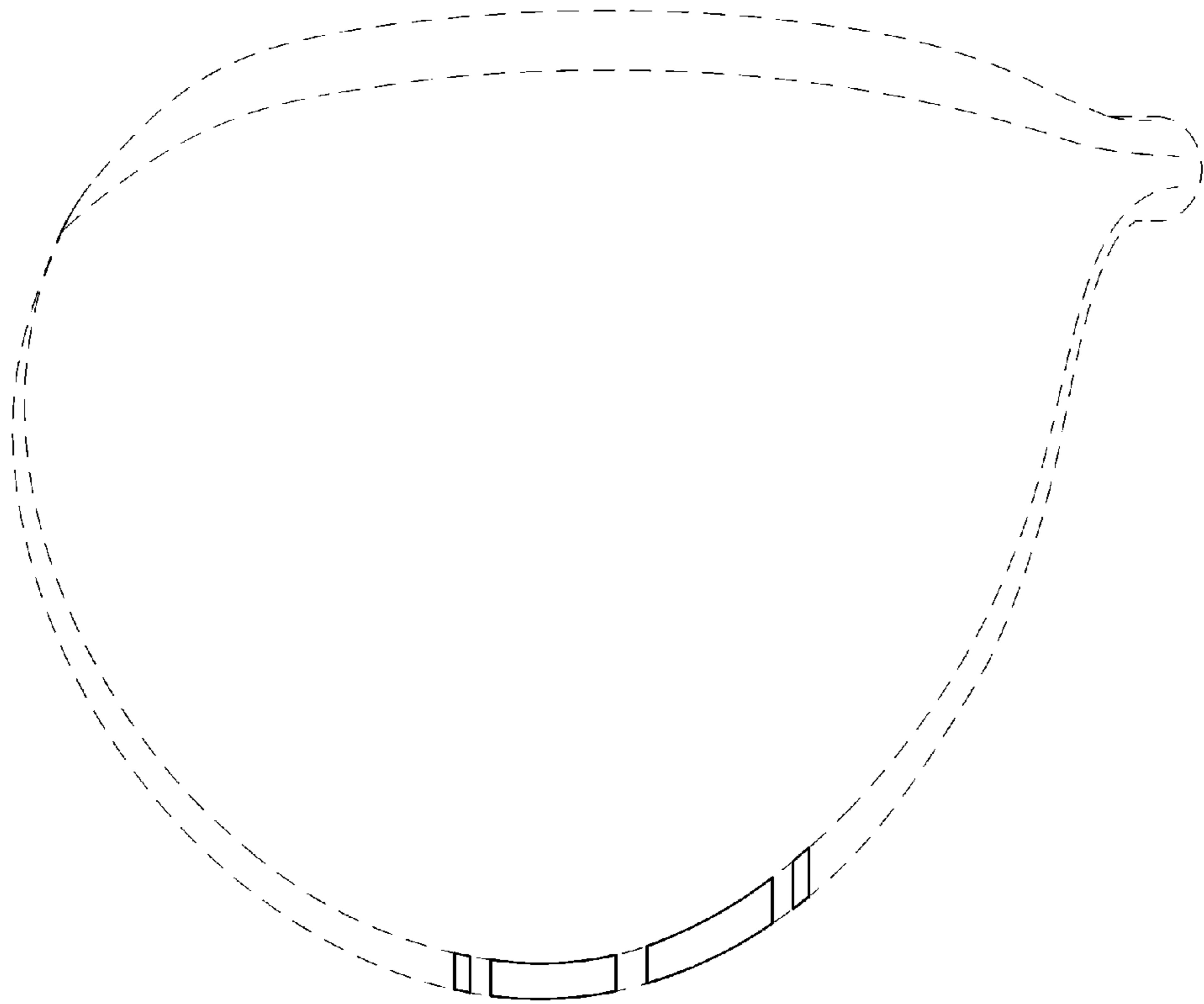


Fig. 6

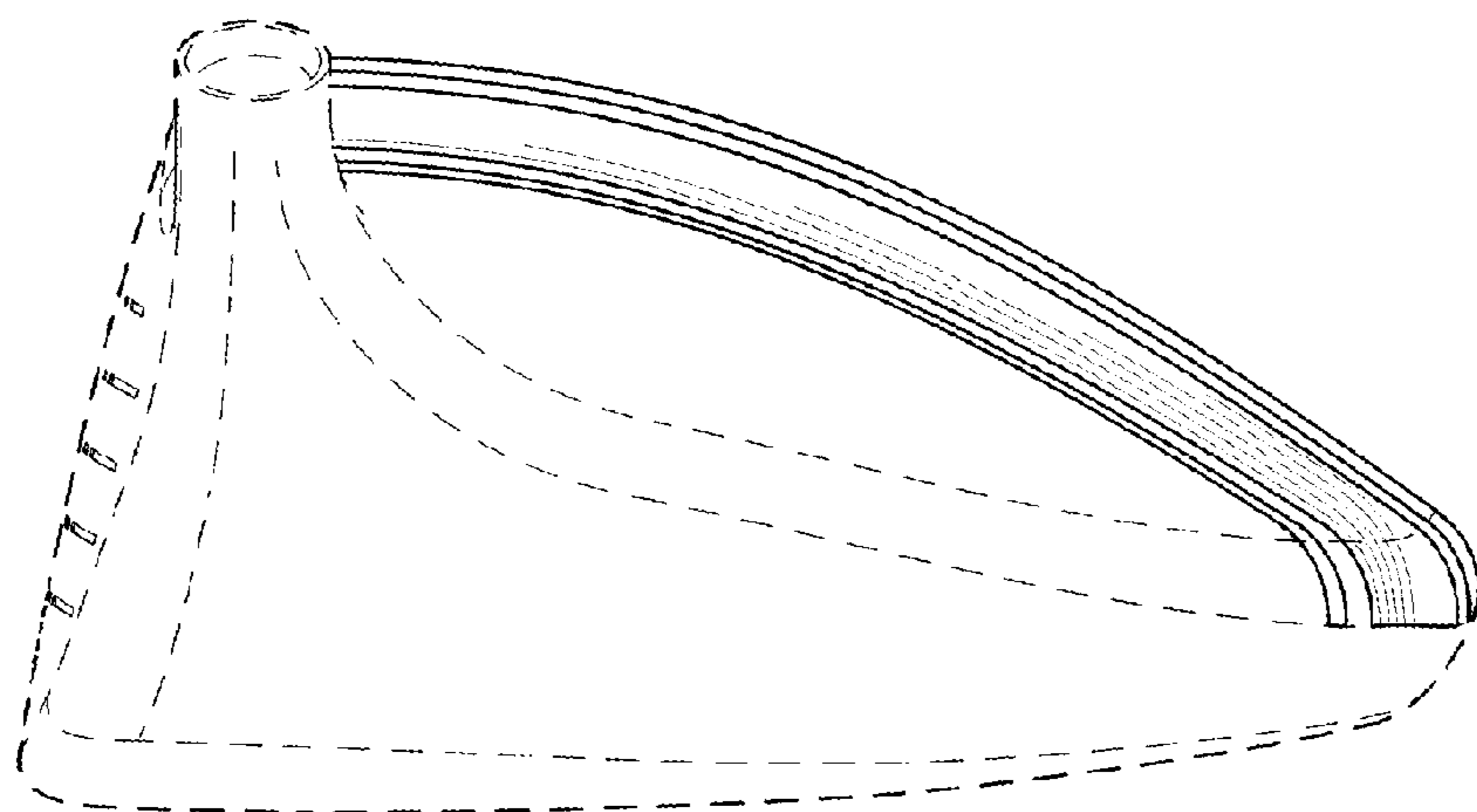


Fig. 7

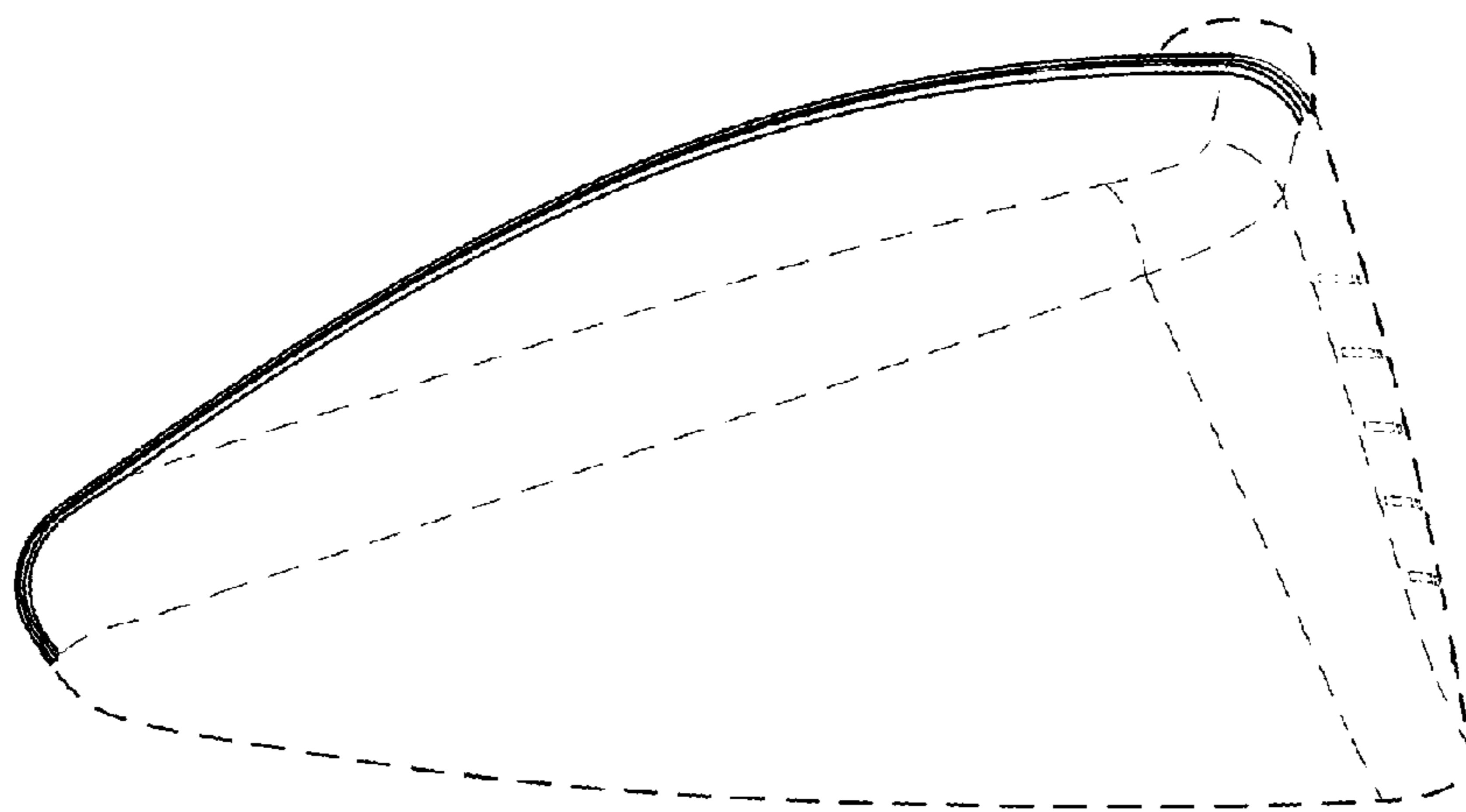


Fig. 8