

US00D667063S

(12) **United States Design Patent**
Thompson

(10) **Patent No.:** **US D667,063 S**

(45) **Date of Patent:** **** Sep. 11, 2012**

(54) **PULLUP EXERCISE ATTACHMENT FOR A
DIP STAND**

(76) Inventor: **Deron C. Thompson**, Sanford, FL (US)

(**) Term: **14 Years**

(21) Appl. No.: **29/373,936**

(22) Filed: **Jun. 13, 2011**

(51) **LOC (9) Cl.** **21-02**

(52) **U.S. Cl.** **D21/694; D21/686; D21/691**

(58) **Field of Classification Search** D21/662,
D21/673-676, 679, 681, 686, 690-691, 694;
482/41, 61, 83, 90, 94, 98, 100, 104, 106,
482/108, 111, 114, 135, 138, 140, 142, 144-145,
482/148

See application file for complete search history.

(56) **References Cited**

U.S. PATENT DOCUMENTS

3,368,809	A *	2/1968	Duane	482/61
4,385,760	A *	5/1983	Mattox et al.	482/114
4,620,701	A *	11/1986	Mojden	482/41
D320,823	S *	10/1991	Tanner	D21/686
D327,107	S *	6/1992	Nersesian	D21/690
5,688,212	A *	11/1997	Walker	482/83
D401,985	S *	12/1998	Wheeler	D21/686

D475,757	S *	6/2003	Silverman et al.	D21/673
D527,430	S *	8/2006	Bulloch et al.	D21/691
7,654,941	B2 *	2/2010	Lacher	482/98
D615,138	S *	5/2010	Briscoe	D21/686
D617,400	S *	6/2010	Hetzel et al.	D21/691
7,922,628	B2 *	4/2011	Gonzalez	482/90

* cited by examiner

Primary Examiner — Susan E Krakower

(74) *Attorney, Agent, or Firm* — William M. Hobby, III

(57) **CLAIM**

The ornamental design for a pullup exercise attachment for a dip stand, as shown and described.

DESCRIPTION

FIG. 1 is a top front perspective view of my new pullup exercise attachment for a dip stand as viewed in position for attachment to a dip stand;

FIG. 2 is a rear elevation view thereof;

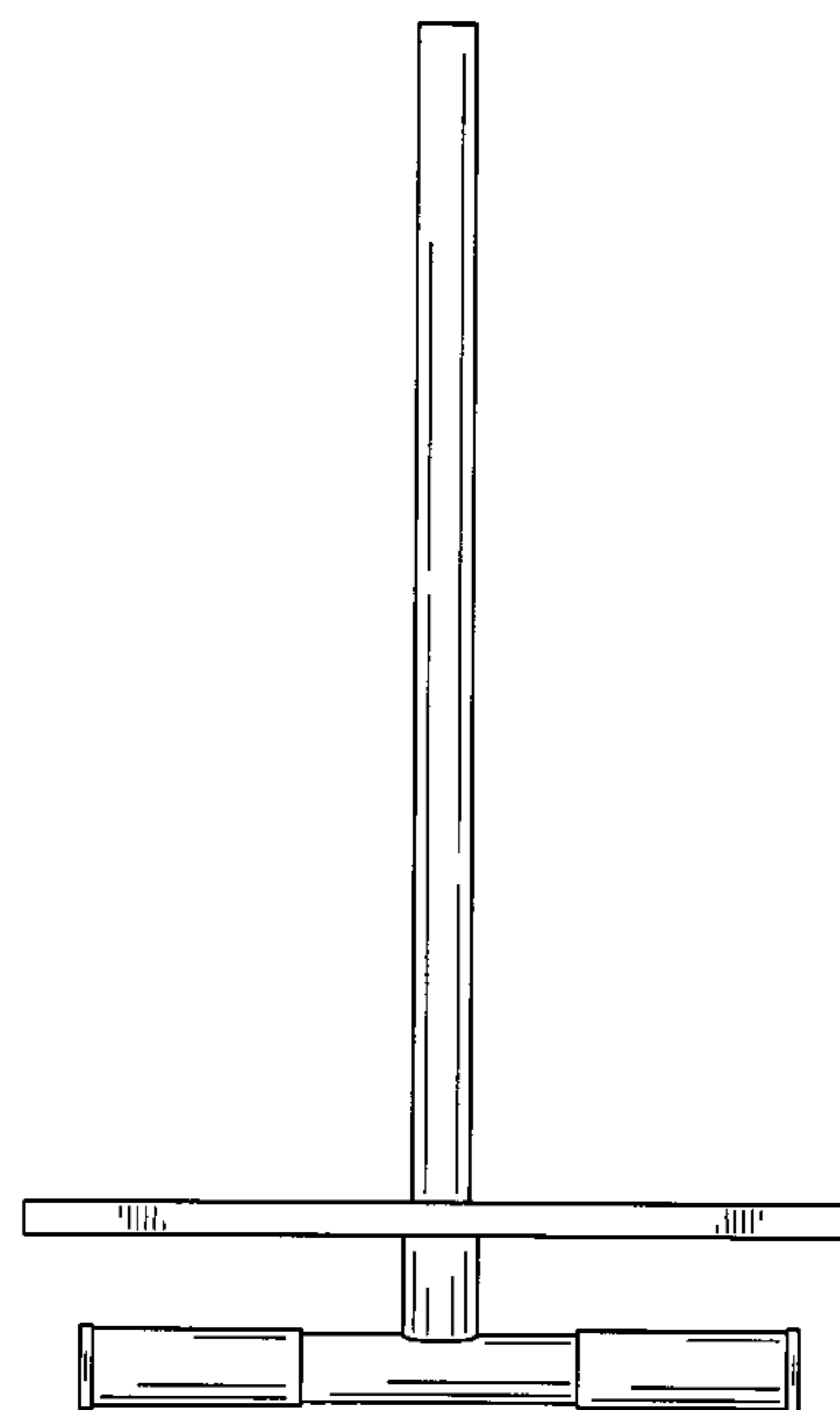
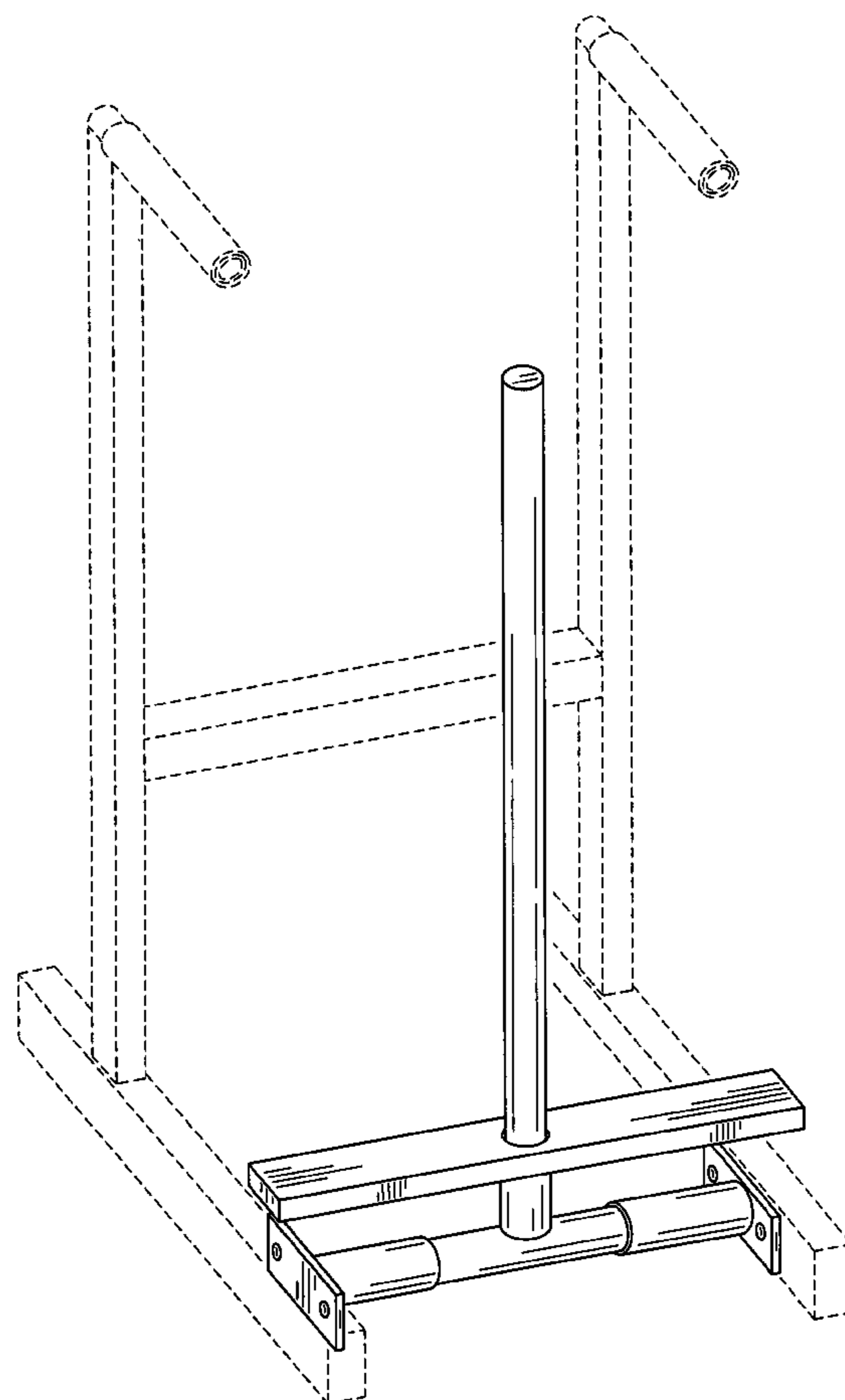
FIG. 3 is a right side elevation view thereof; the left side elevation view being identical thereto;

FIG. 4 is a top plan view thereof; and,

FIG. 5 is a bottom plan view thereof.

The broken lines in FIG. 1 illustrate environmental structure and form no part of the claimed design.

1 Claim, 2 Drawing Sheets



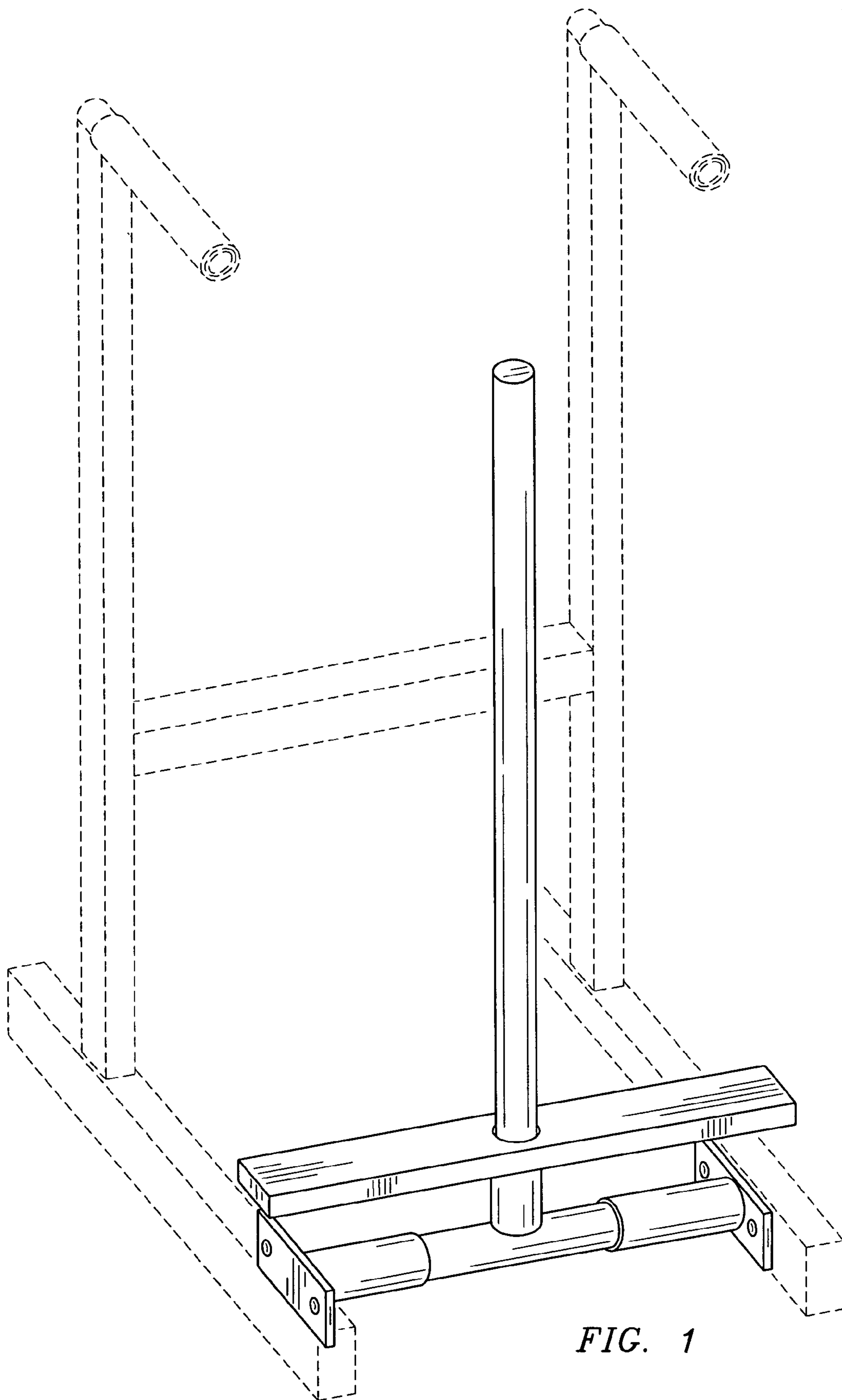


FIG. 1

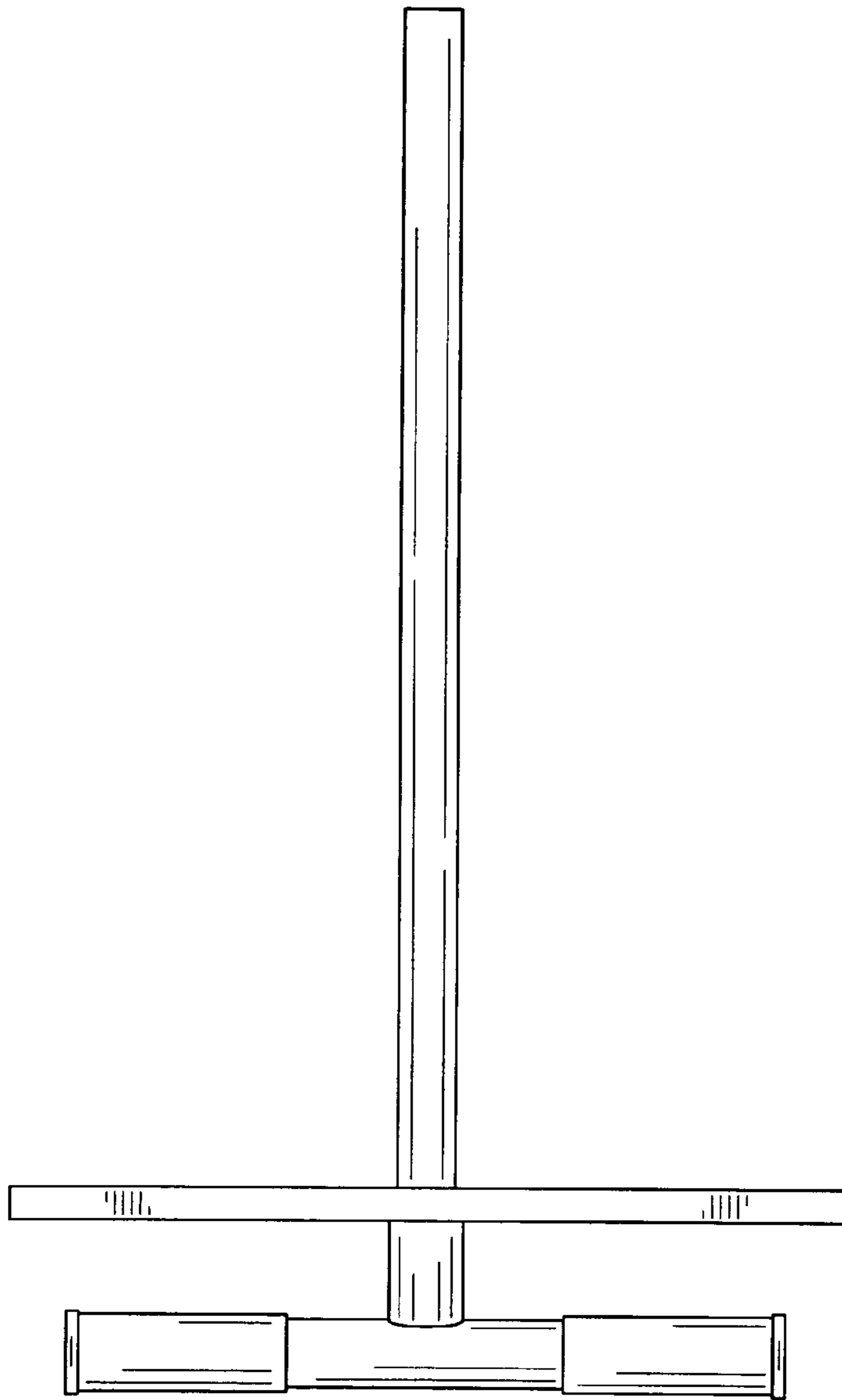


FIG. 2

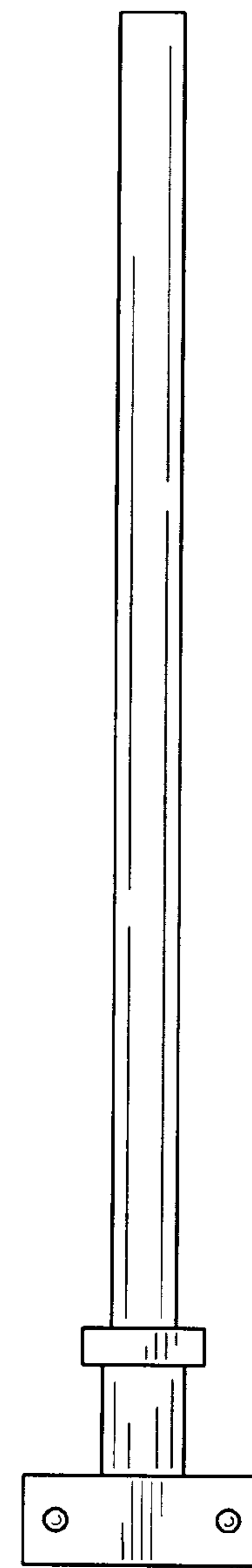


FIG. 3

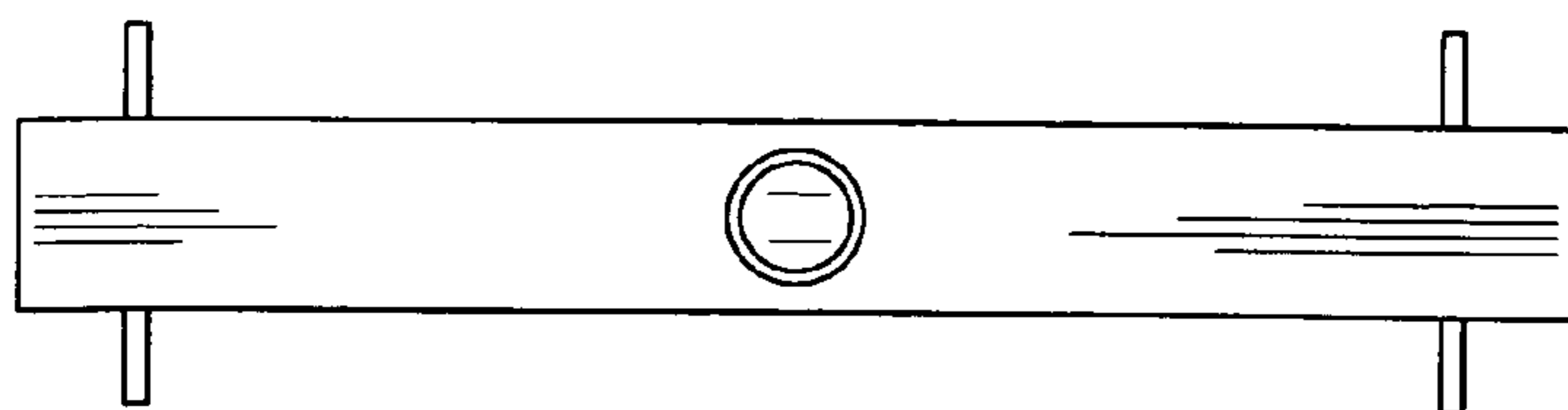


FIG. 4

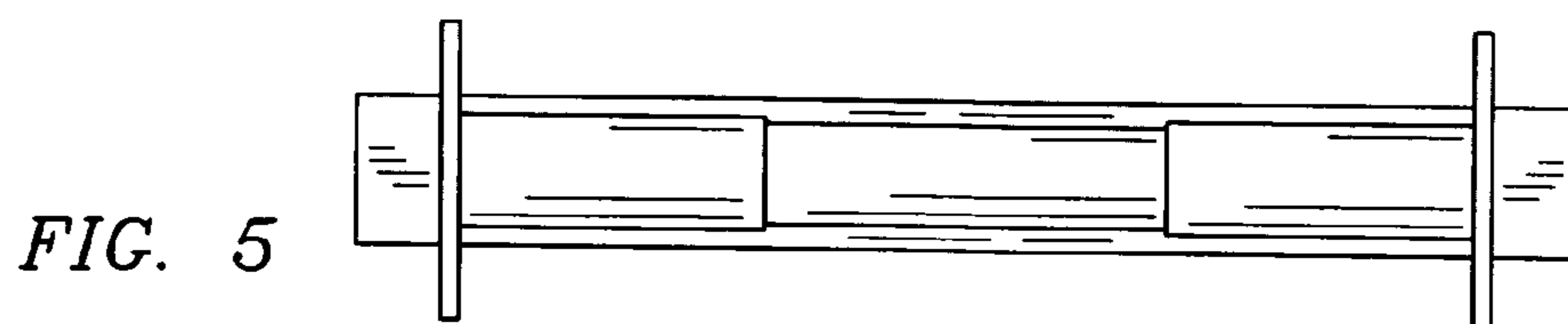


FIG. 5