



US00D667058S

(12) **United States Design Patent**
Jour

(10) **Patent No.:** **US D667,058 S**

(45) **Date of Patent:** **** Sep. 11, 2012**

(54) **MEMO PAPER DISPENSER**

(75) Inventor: **David C. T Jour**, Taipei (TW)

(73) Assignee: **Kudos Finder Trading Co., Ltd.**, Taipei (TW)

(**) Term: **14 Years**

(21) Appl. No.: **29/361,848**

(22) Filed: **May 17, 2010**

(51) **LOC (9) Cl.** **19-06**

(52) **U.S. Cl.** **D19/86**

(58) **Field of Classification Search** D6/515,
D6/518; D9/676, 734; D12/96; D19/65,
D19/75, 78, 86-92; D21/434, 552, 558,
D21/560; 206/215, 425, 457, 555; 221/45,
221/46, 48, 51, 52, 56, 59, 61, 63

See application file for complete search history.

(56) **References Cited**

U.S. PATENT DOCUMENTS

D202,073	S	*	8/1965	Douglas	D9/676
3,304,004	A	*	2/1967	Hrabowecyj	237/12.3 R
3,743,054	A	*	7/1973	Jones, Jr.	184/14
3,868,176	A	*	2/1975	Young	359/841
3,895,682	A	*	7/1975	Graham	180/313
4,518,188	A	*	5/1985	Witten	296/180.2
4,543,984	A	*	10/1985	Murray	137/385
4,560,195	A	*	12/1985	Price et al.	296/180.4
D286,031	S	*	10/1986	Breitschwerdt et al.	D12/96
4,713,012	A	*	12/1987	Poplawski et al.	434/373
D350,066	S	*	8/1994	Silva et al.	D9/676
D352,075	S	*	11/1994	Washington	D21/434

5,441,149	A	*	8/1995	Willard et al.	206/214
D364,893	S	*	12/1995	Willard et al.	D19/82
D371,959	S	*	7/1996	Hupp	D9/676
D388,952	S	*	1/1998	Rosell, Jr.	D3/203.6
D389,658	S	*	1/1998	Holt	D6/632
D411,142	S	*	6/1999	Sacco et al.	D12/96
D425,826	S	*	5/2000	Hellhake et al.	D12/96
7,156,055	B1	*	1/2007	Craig	123/41.01
D540,219	S	*	4/2007	Oka	D12/96
D604,634	S	*	11/2009	Arora et al.	D9/676
D619,049	S	*	7/2010	Beigel et al.	D12/96
D623,092	S	*	9/2010	Beigel et al.	D12/96
D624,828	S	*	10/2010	Brogan et al.	D9/676
2006/0266571	A1	*	11/2006	Mattson	180/209

* cited by examiner

Primary Examiner — Elizabeth Albert

(57) **CLAIM**

An ornamental design for a memo paper dispenser, as shown and described.

DESCRIPTION

FIG. 1 is a front view of a memo paper dispenser showing my new design;

FIG. 2 is a rear view thereof;

FIG. 3 is a left side view thereof;

FIG. 4 is a right side view thereof;

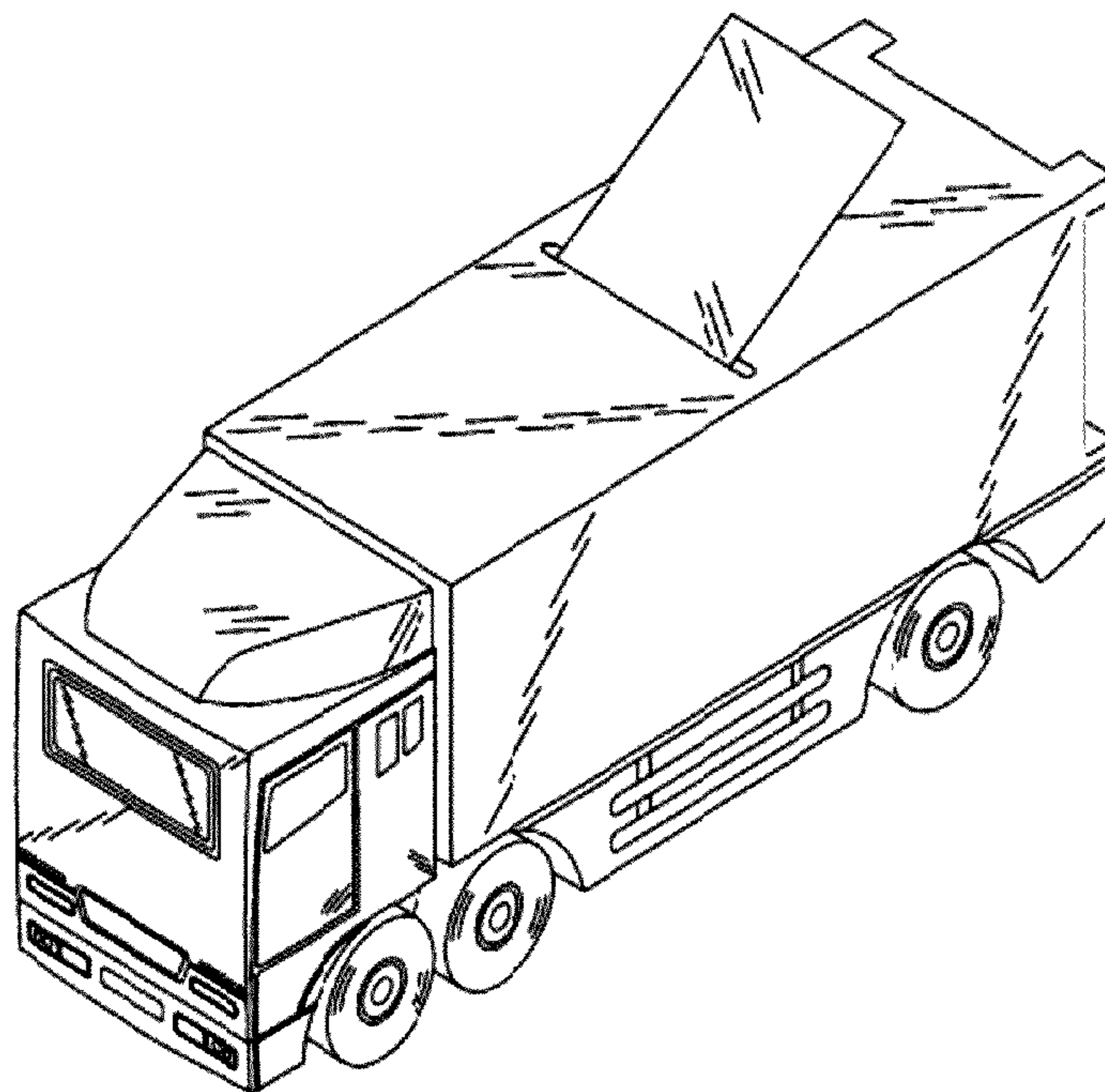
FIG. 5 is a top plan view thereof;

FIG. 6 is a bottom plan view thereof; and,

FIG. 7 is a perspective view thereof.

The broken lines showing features in FIGS. 2, 3, 4 and 6 are included for the purpose of showing portions that form no part of the claimed design.

1 Claim, 4 Drawing Sheets



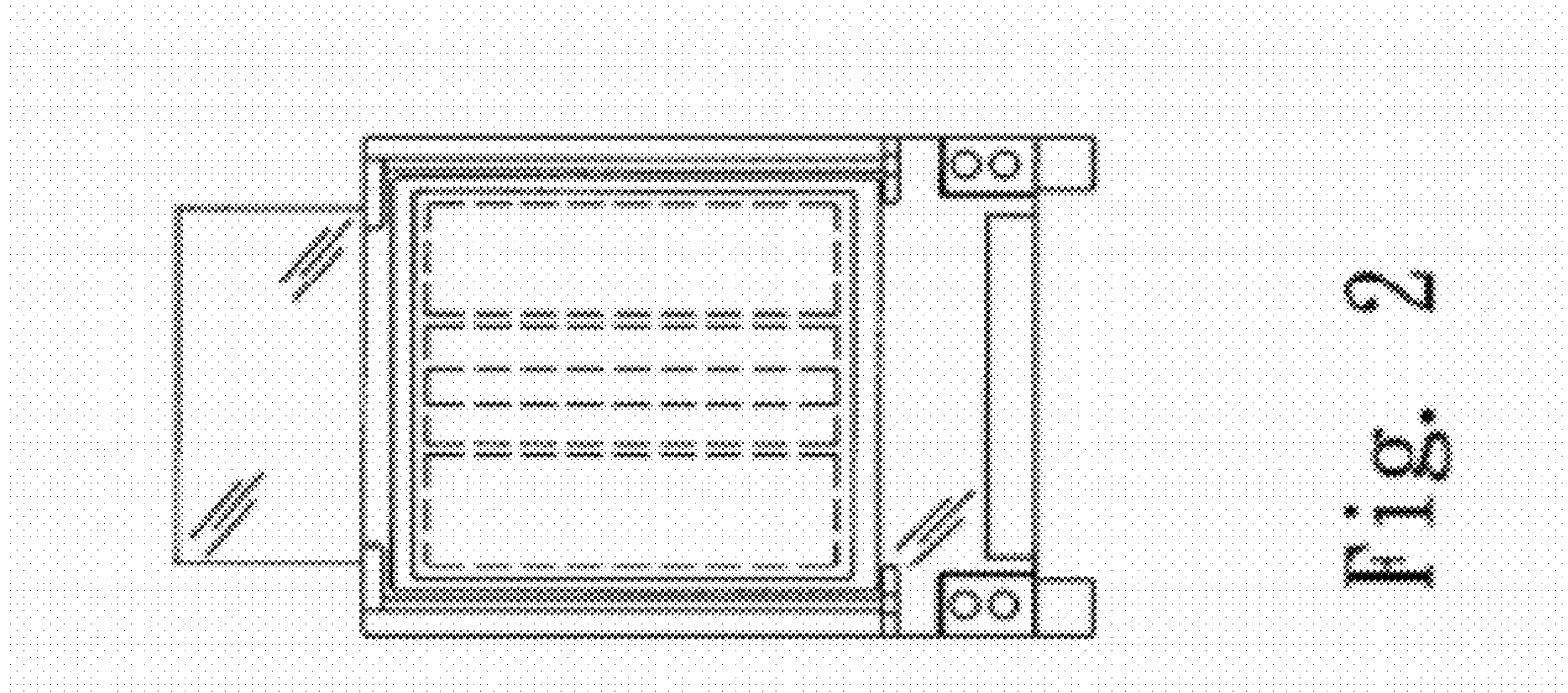


Fig. 2

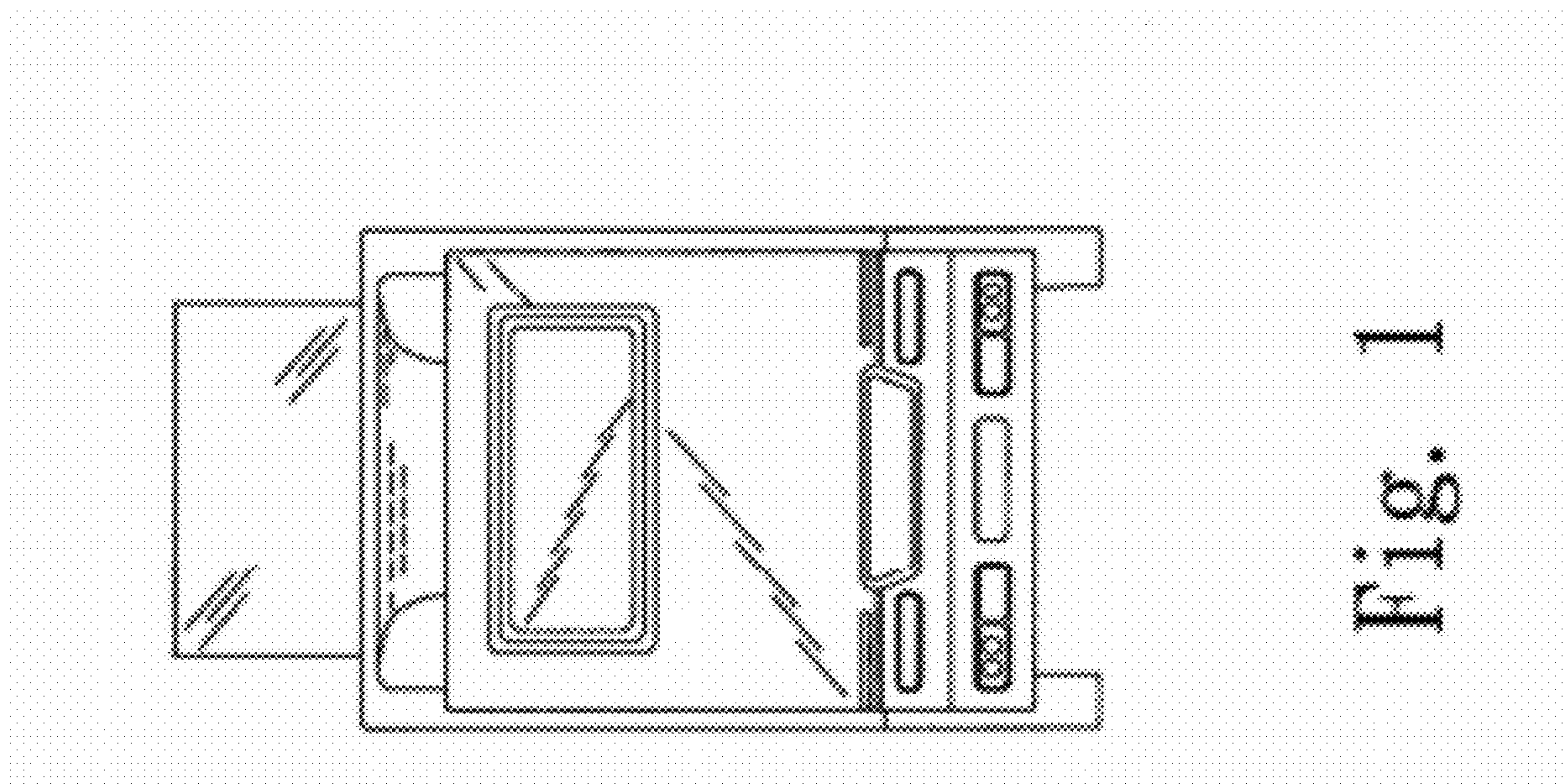


Fig. 1

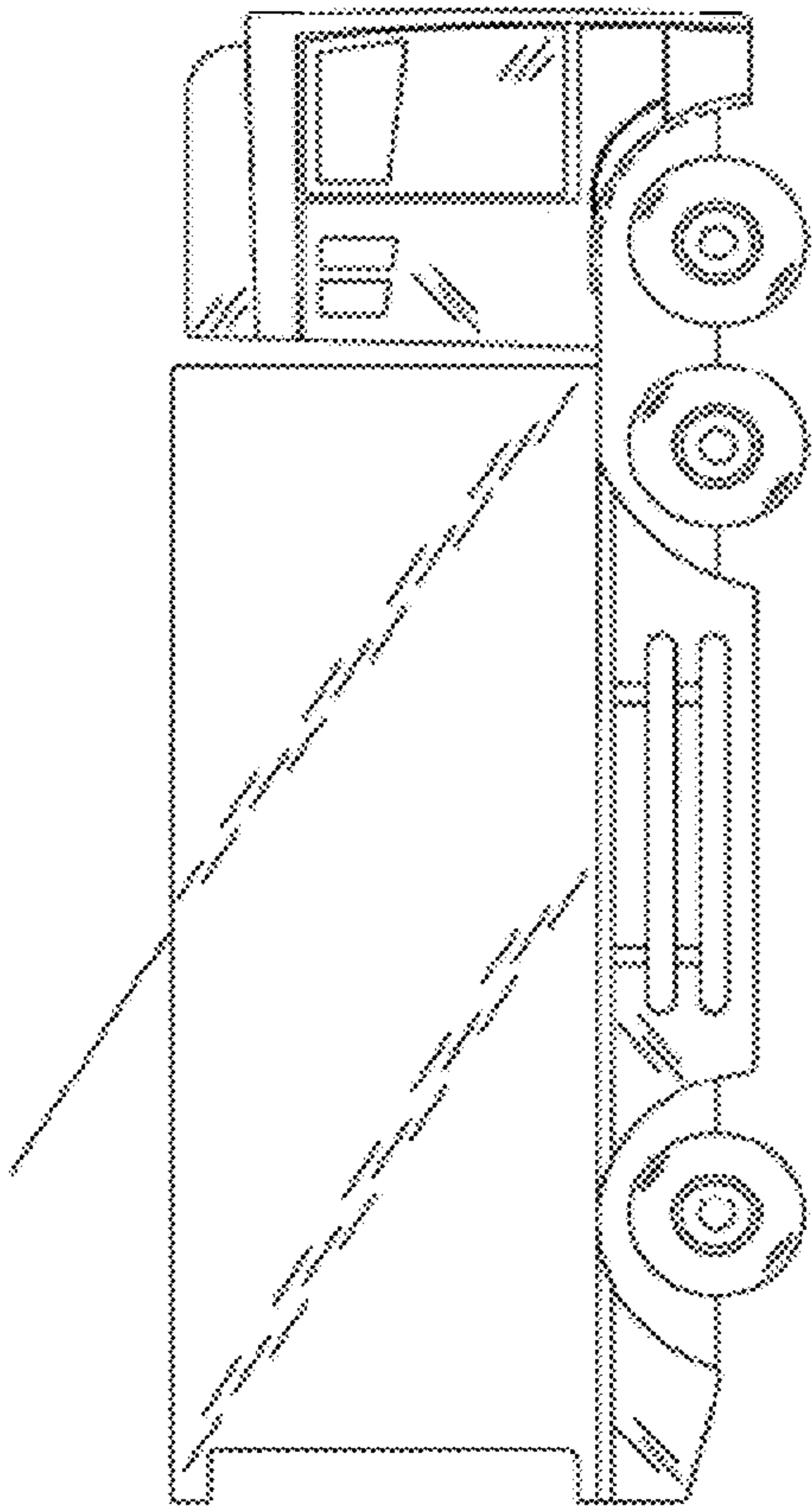


Fig. 3

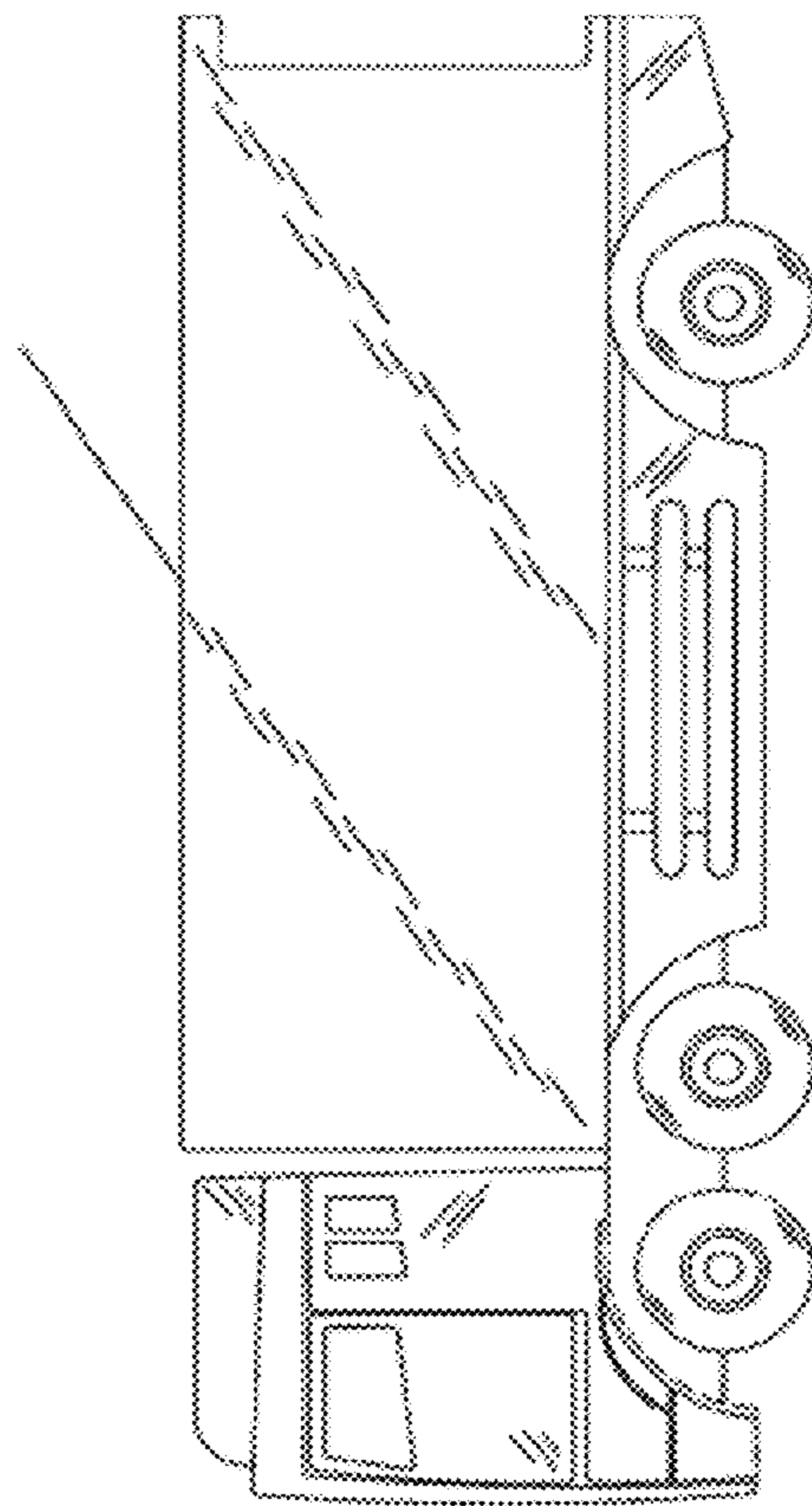


Fig. 4

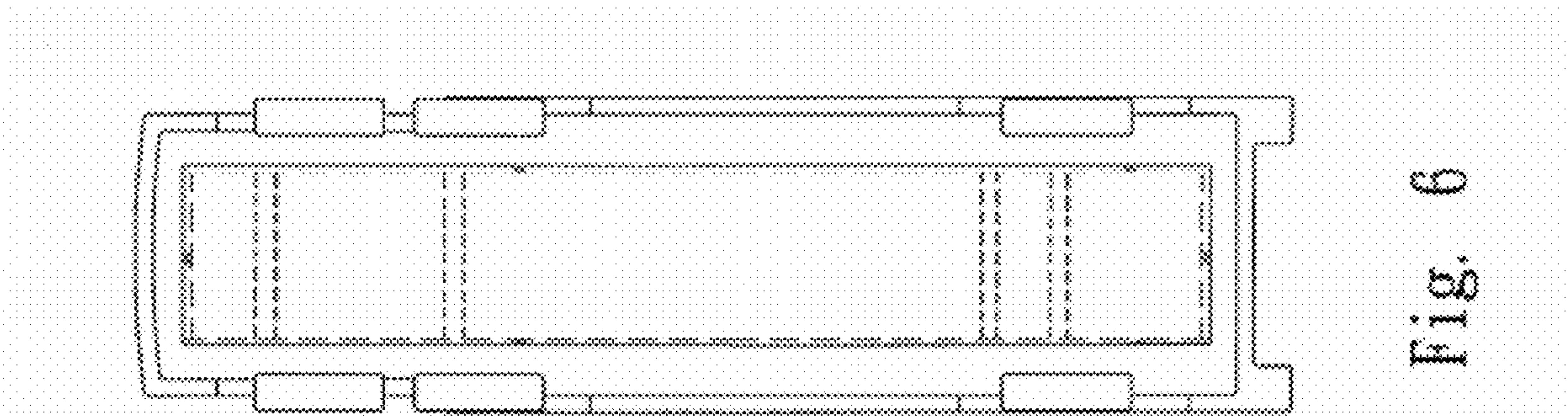


Fig. 6

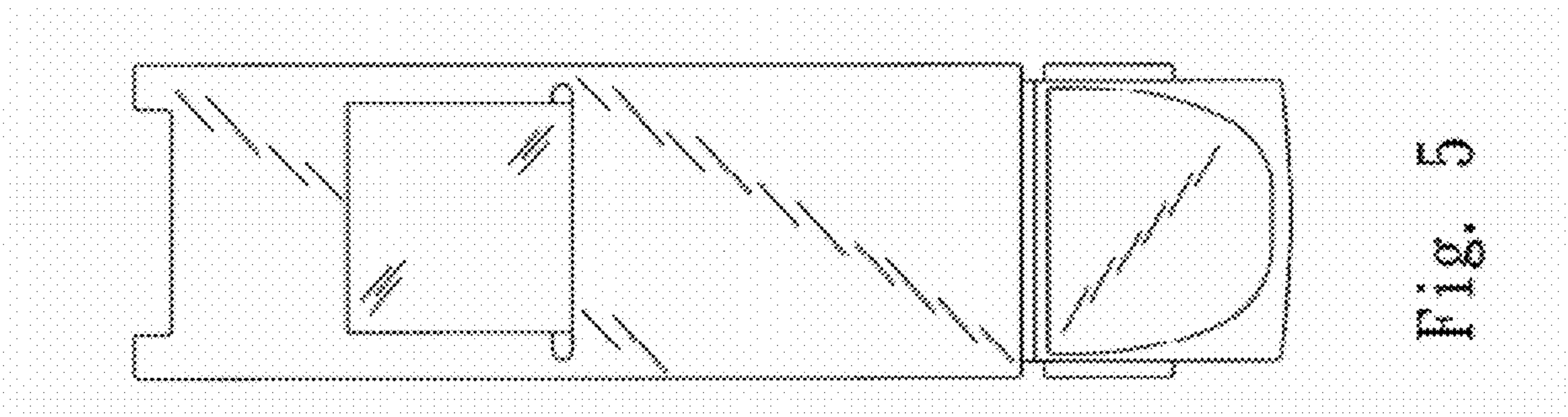


Fig. 5

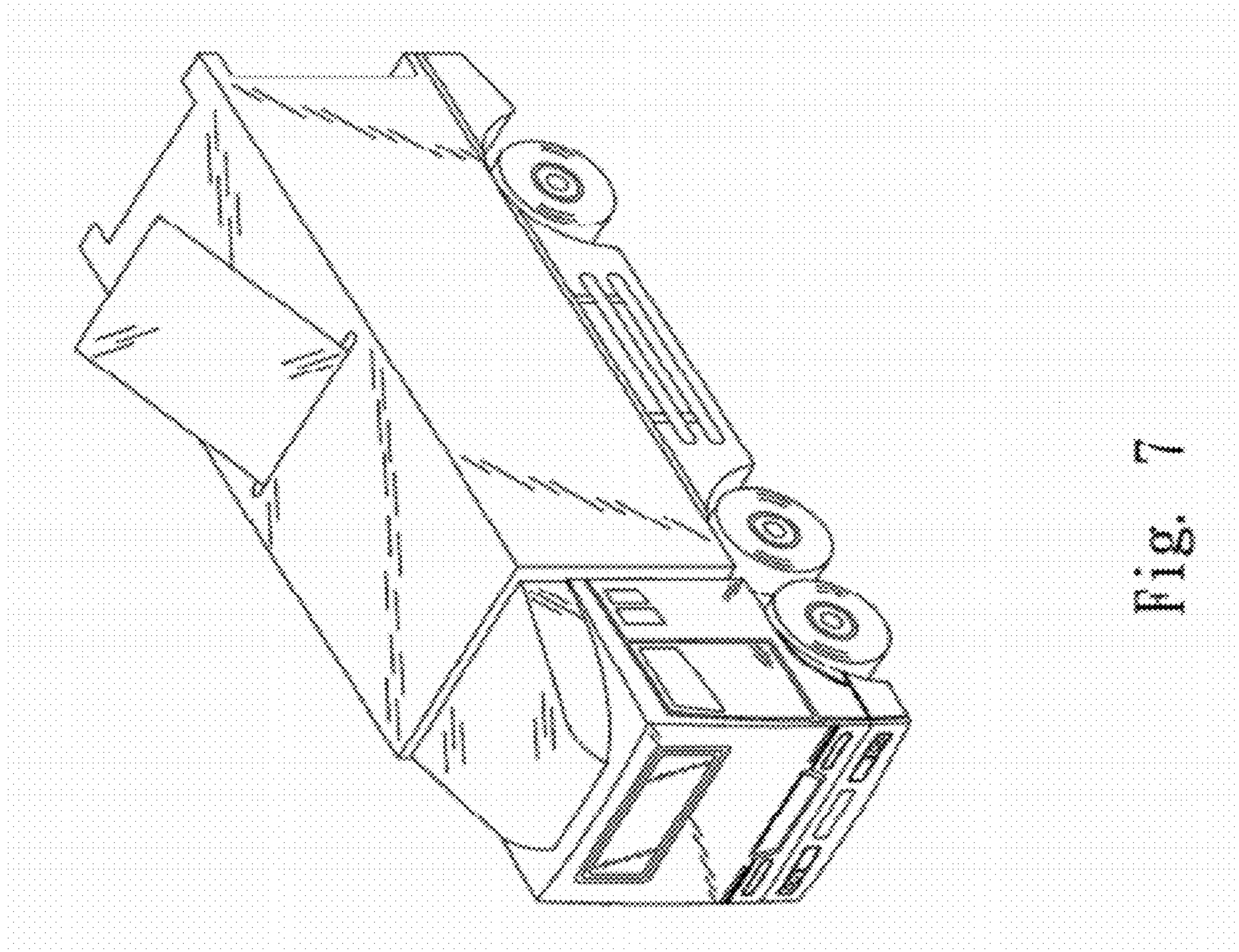


Fig. 7