



US00D667055S

(12) **United States Design Patent**  
**Kim**

(10) **Patent No.:** **US D667,055 S**

(45) **Date of Patent:** **\*\* Sep. 11, 2012**

(54) **HIGHLIGHTER PEN**

(75) Inventor: **Jewon Kim**, Daejon (KR)

(73) Assignee: **Dong-A Pencil Co., Ltd.**, Seoul (KR)

(\*\*) Term: **14 Years**

(21) Appl. No.: **29/371,582**

(22) Filed: **Apr. 29, 2011**

(51) **LOC (9) Cl.** ..... **19-06**

(52) **U.S. Cl.** ..... **D19/49**

(58) **Field of Classification Search** ..... D19/35,  
D19/36, 41-51, 54-58; D14/411; 24/11 F,  
24/11 P, 11 R; 401/52, 99, 104-109, 192,  
401/195, 196

See application file for complete search history.

(56) **References Cited**

**U.S. PATENT DOCUMENTS**

1,244,974	A *	10/1917	Gerdom	.....	401/216
D137,496	S *	3/1944	Lustig	.....	D3/203.2
D221,033	S *	6/1971	Wakai	.....	D19/43
4,308,879	A *	1/1982	Thornbloom	.....	132/317
D329,461	S *	9/1992	Katami	.....	D19/51
D377,193	S *	1/1997	Takemura	.....	D19/36

5,676,480	A *	10/1997	Tosto	.....	401/10
D409,241	S *	5/1999	Melnick	.....	D19/36
7,086,796	B2 *	8/2006	Severa	.....	401/179
D553,681	S *	10/2007	Cetera	.....	D19/51
D610,616	S *	2/2010	Li	.....	D19/49

\* cited by examiner

*Primary Examiner* — Elizabeth Albert

(74) *Attorney, Agent, or Firm* — Rabin & Berdo, PC

(57) **CLAIM**

I claim the ornamental design for a highlighter pen, as shown and described.

**DESCRIPTION**

FIG. 1 is a perspective view of a highlighter pen showing my new design;

FIG. 2 is a front view thereof; the rear view is omitted since it is a mirror view of the front view;

FIG. 3 is a right side view thereof;

FIG. 4 is a left side view thereof;

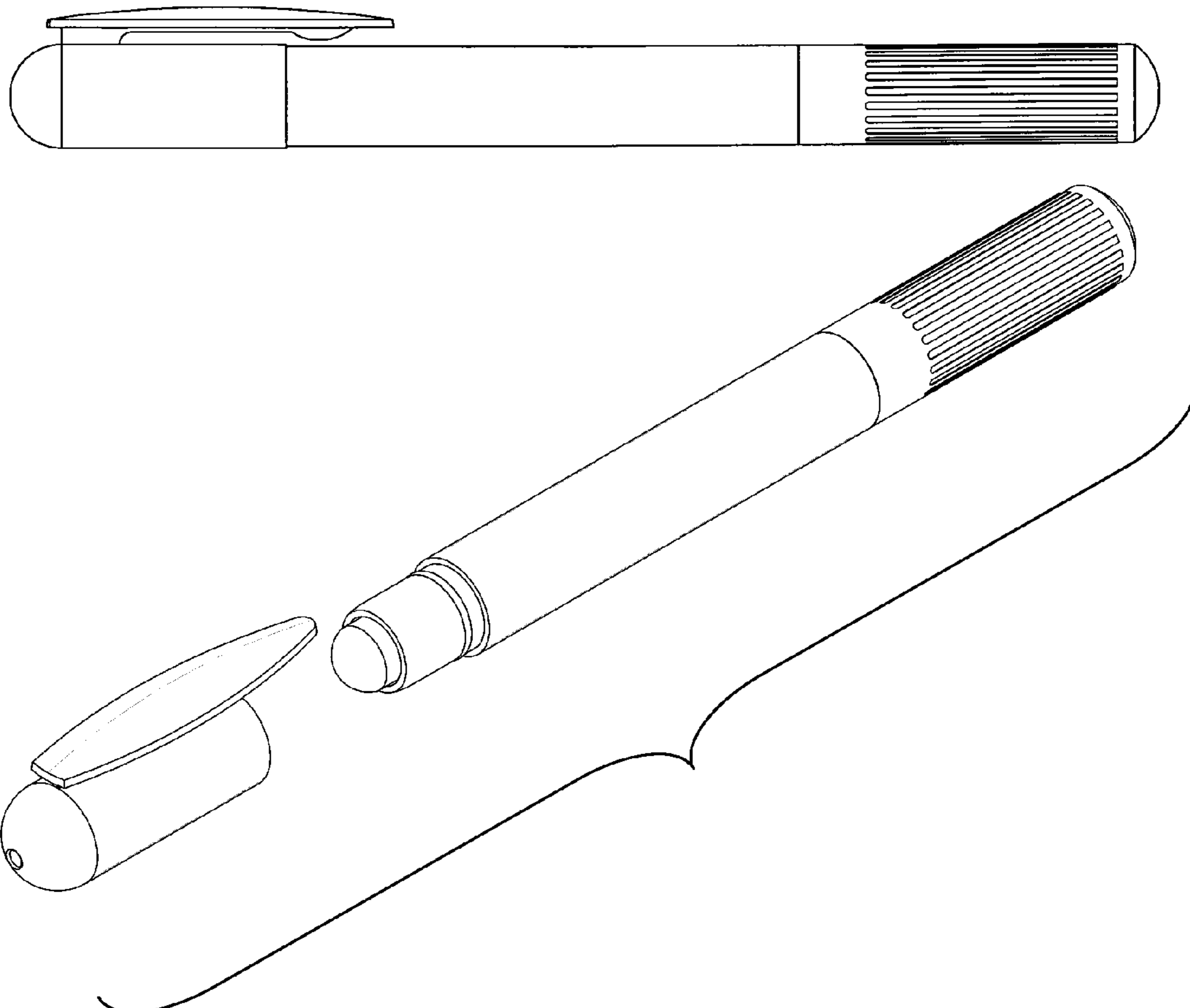
FIG. 5 is a top plan view thereof;

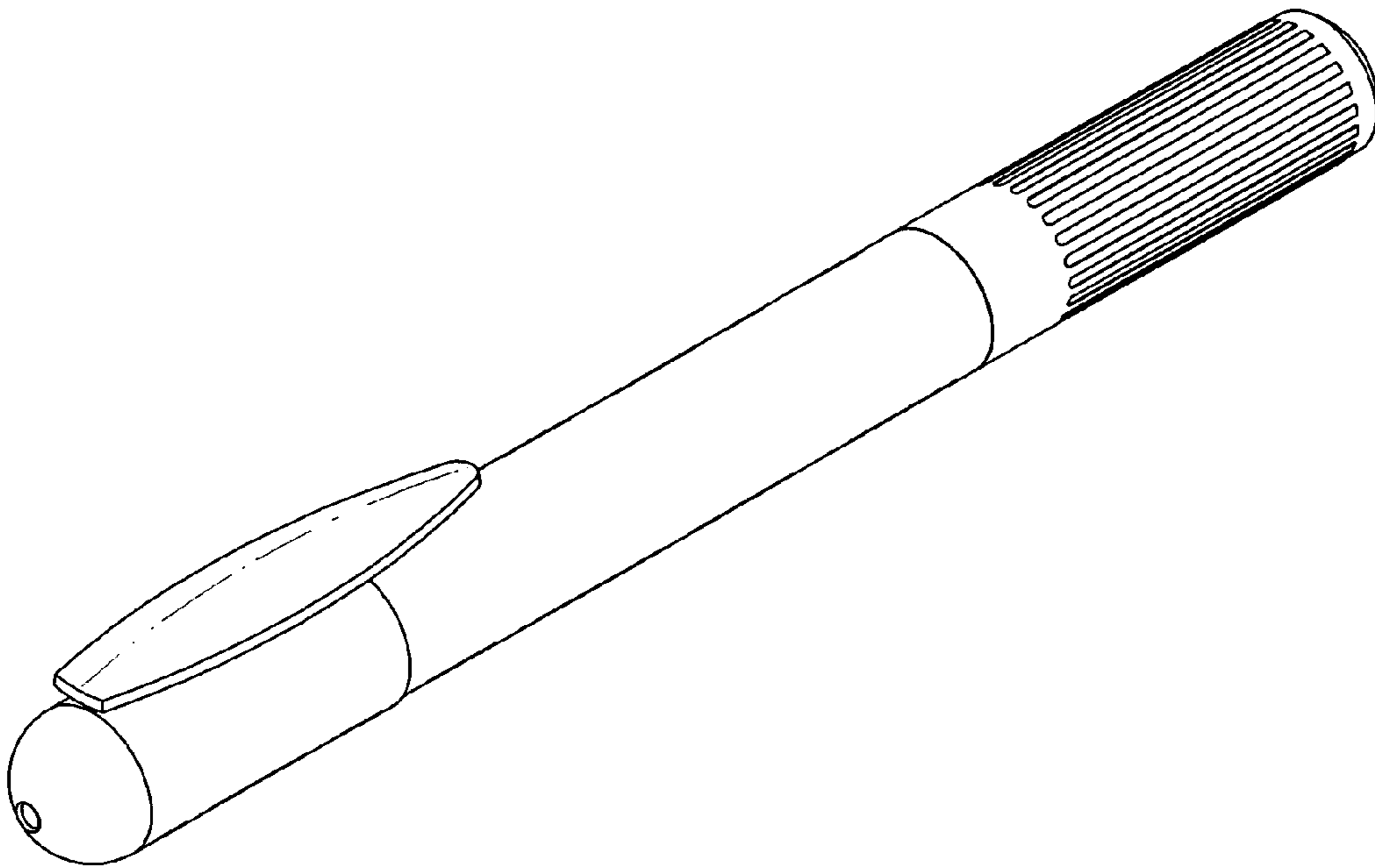
FIG. 6 is a bottom plan view thereof; and,

FIG. 7 is an exploded view thereof.

A rear view is omitted since it is a mirror of the front view.

**1 Claim, 3 Drawing Sheets**





**Fig. 1**

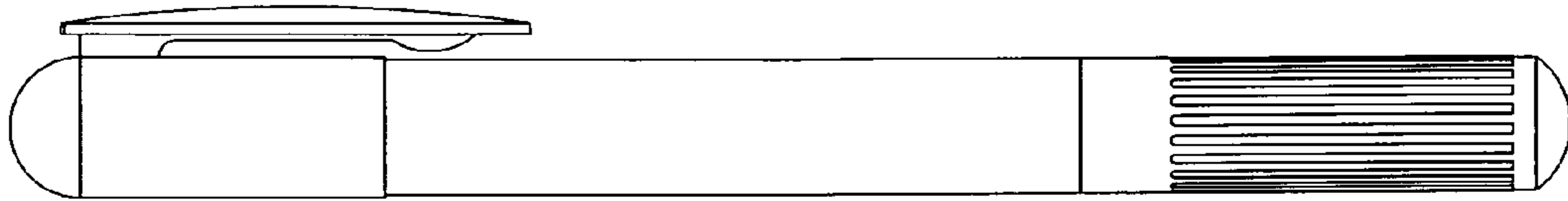


Fig. 2

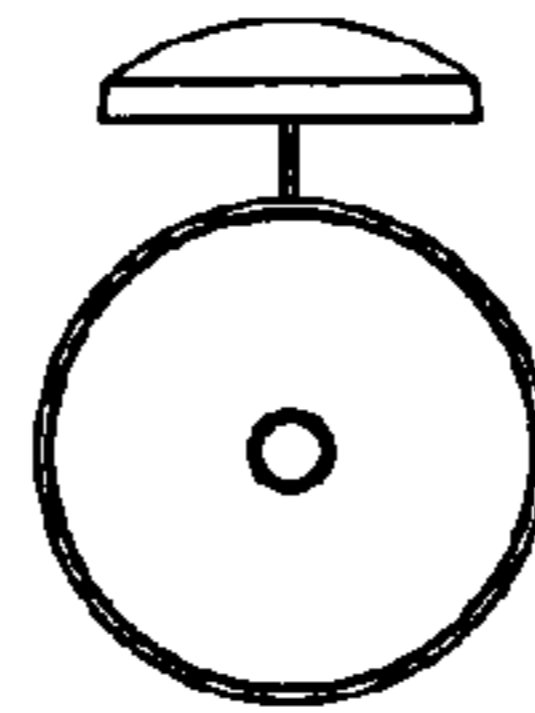


Fig. 3

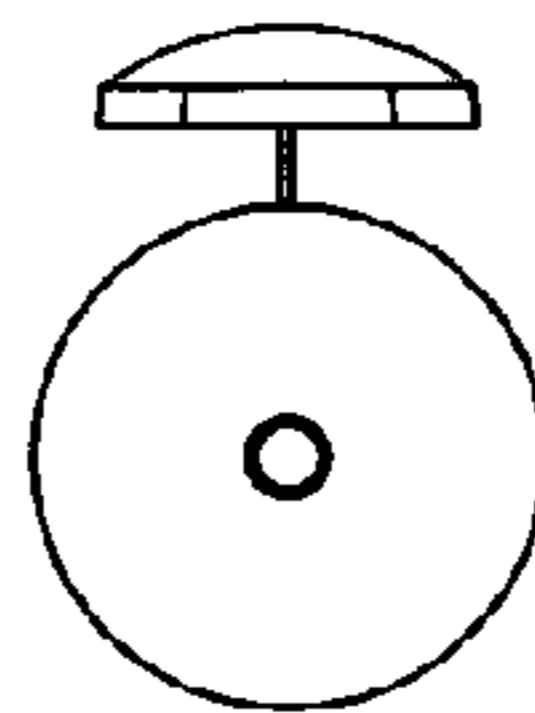


Fig. 4



Fig. 5

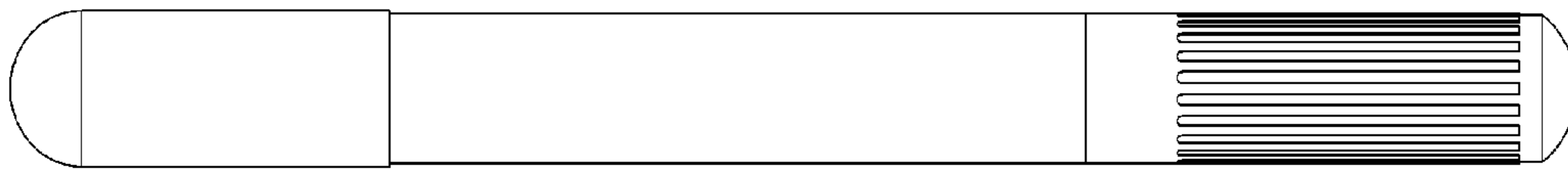


Fig. 6

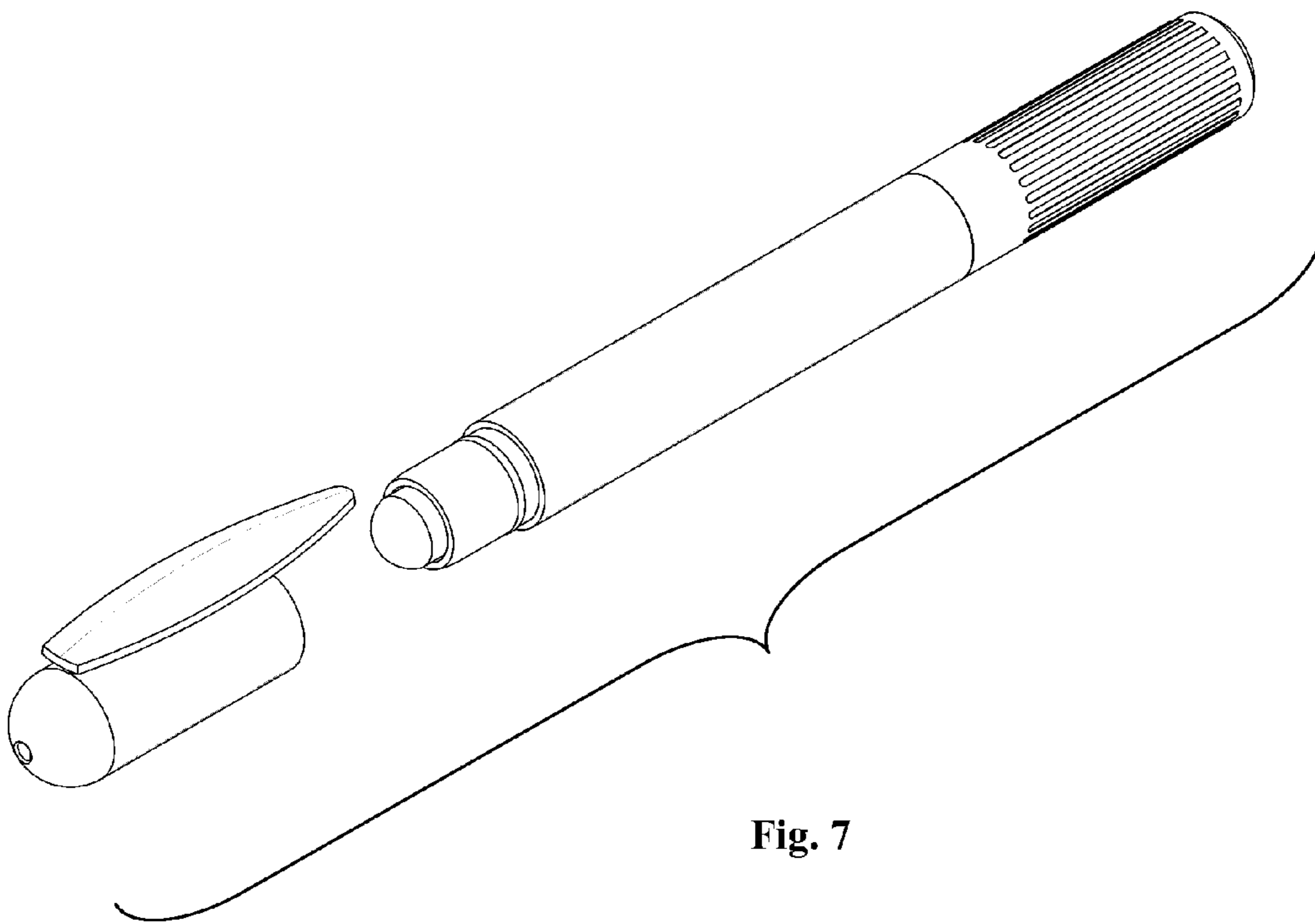


Fig. 7