



US00D667053S

(12) **United States Design Patent**
Bolton

(10) **Patent No.:** **US D667,053 S**

(45) **Date of Patent:** **** *Sep. 11, 2012**

(54) **MARKER PEN**

(75) **Inventor:** **Terence William Bolton, Redhill (GB)**

(73) **Assignee:** **RenArt Limited, Redhill (GB)**

(*) **Notice:** This patent is subject to a terminal disclaimer.

(**) **Term:** **14 Years**

(21) **Appl. No.:** **29/337,845**

(22) **Filed:** **May 29, 2009**

(51) **LOC (9) Cl.** **19-06**

(52) **U.S. Cl.** **D19/41**

(58) **Field of Classification Search** D19/35,
D19/36, 41-51, 53-57; 24/10 R, 10 A, 11 CT,
24/11 CC, 11 F, 11 P, 11 PP, 11 R, 11 HC,
24/11 M, 12; 401/52, 99, 100, 104-109,
401/192, 195, 196; D14/411
See application file for complete search history.

(56) **References Cited**

U.S. PATENT DOCUMENTS

1,244,974	A *	10/1917	Gerdom	401/216
2,457,217	A *	12/1948	Ernst	401/34
2,627,844	A *	2/1953	Johnson	401/259
2,652,030	A *	9/1953	Stiefel et al.	401/102
2,652,032	A *	9/1953	Lipic	401/209
2,747,287	A *	5/1956	Petion	33/776
2,874,679	A *	2/1959	Zepelovitch	401/148
3,345,674	A *	10/1967	De Groft	401/198
3,680,968	A *	8/1972	Schwartzman et al.	401/260
3,941,488	A *	3/1976	Maxwell	401/17
3,977,798	A *	8/1976	Kuparinen	401/258
D270,843	S *	10/1983	Itoh	D19/51
D327,911	S *	7/1992	Poisson	D19/49
D333,152	S *	2/1993	Anavil et al.	D19/55

D366,901	S *	2/1996	Takahashi	D19/51
D370,126	S *	5/1996	Pfanstiehl et al.	D4/135
D377,947	S *	2/1997	Ladner	D19/36
D408,592	S *	4/1999	Litton	D28/76
D409,241	S *	5/1999	Melnick	D19/36
D410,031	S *	5/1999	Charriol	D19/51
D417,206	S *	11/1999	Hirota	D14/411
D447,173	S *	8/2001	Yoon	D19/43
6,474,893	B1 *	11/2002	Osada et al.	401/198
D472,926	S *	4/2003	Nishitani et al.	D19/50
D499,140	S *	11/2004	Katami	D19/48
D502,217	S *	2/2005	Hung	D19/43
D507,017	S *	7/2005	Cogoli et al.	D19/43
D510,105	S *	9/2005	Cramer et al.	D19/51
D530,857	S *	10/2006	Black	D28/7
D568,394	S *	5/2008	Maruyama	D19/55
D574,617	S *	8/2008	Gamez et al.	D4/114
D577,071	S *	9/2008	Qiu et al.	D19/51
D586,392	S *	2/2009	Cheng	D19/48
D655,707	S *	3/2012	Miyauchi et al.	D14/411
D657,787	S *	4/2012	Fletcher et al.	D14/336

* cited by examiner

Primary Examiner — Elizabeth Albert

(74) *Attorney, Agent, or Firm* — Blank Rome LLP

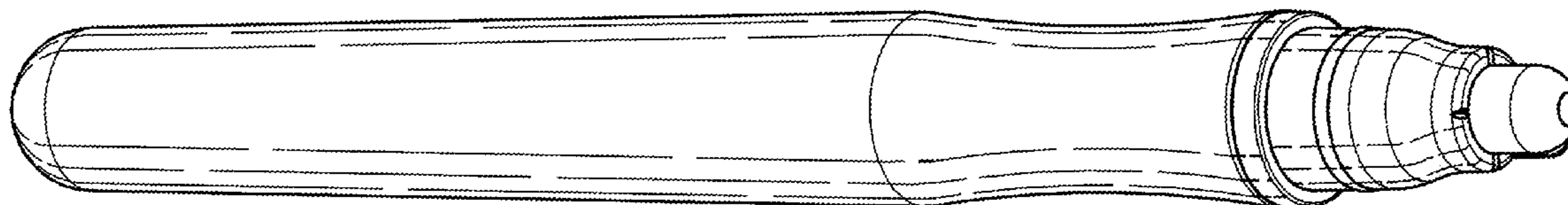
(57) **CLAIM**

The ornamental design for a marker pen, as shown and described.

DESCRIPTION

FIG. 1 is a side view of a marker pen;
FIG. 2 is a detail view of 2 in FIG. 1;
FIG. 3 is a top view of the marker pen;
FIG. 4 is a rear view of the marker pen;
FIG. 5 is a rear perspective view of the marker pen;
FIG. 6 is a detail view of 6 in FIG. 5; and,
FIG. 7 is a front perspective view the marker pen.

1 Claim, 7 Drawing Sheets



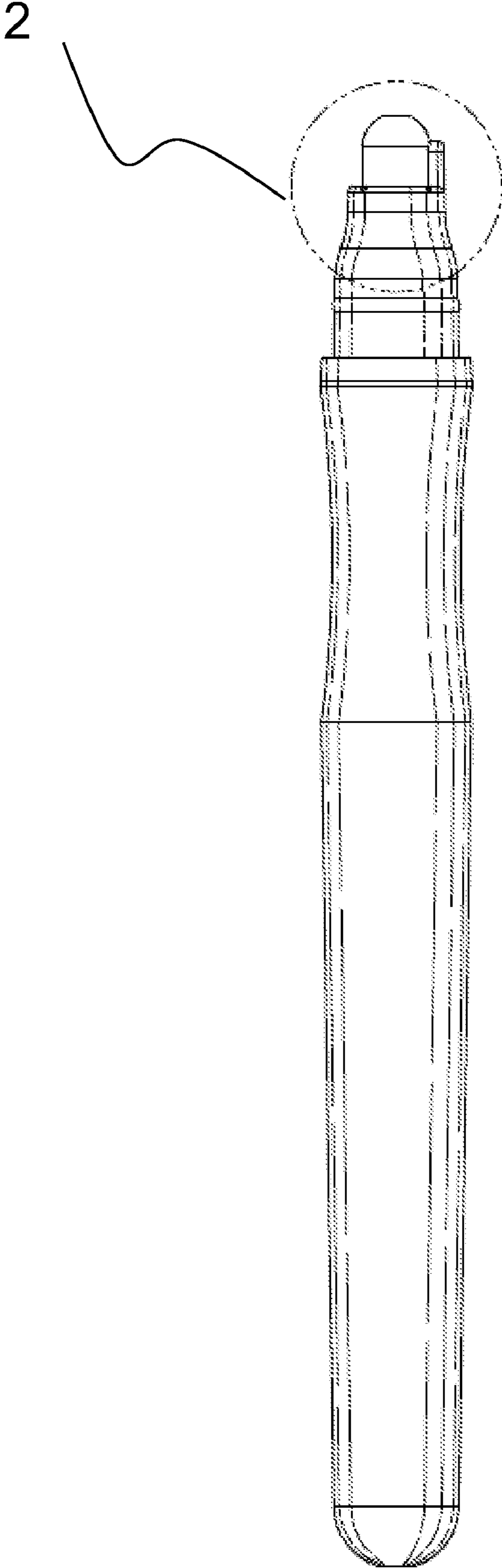


Fig. 1

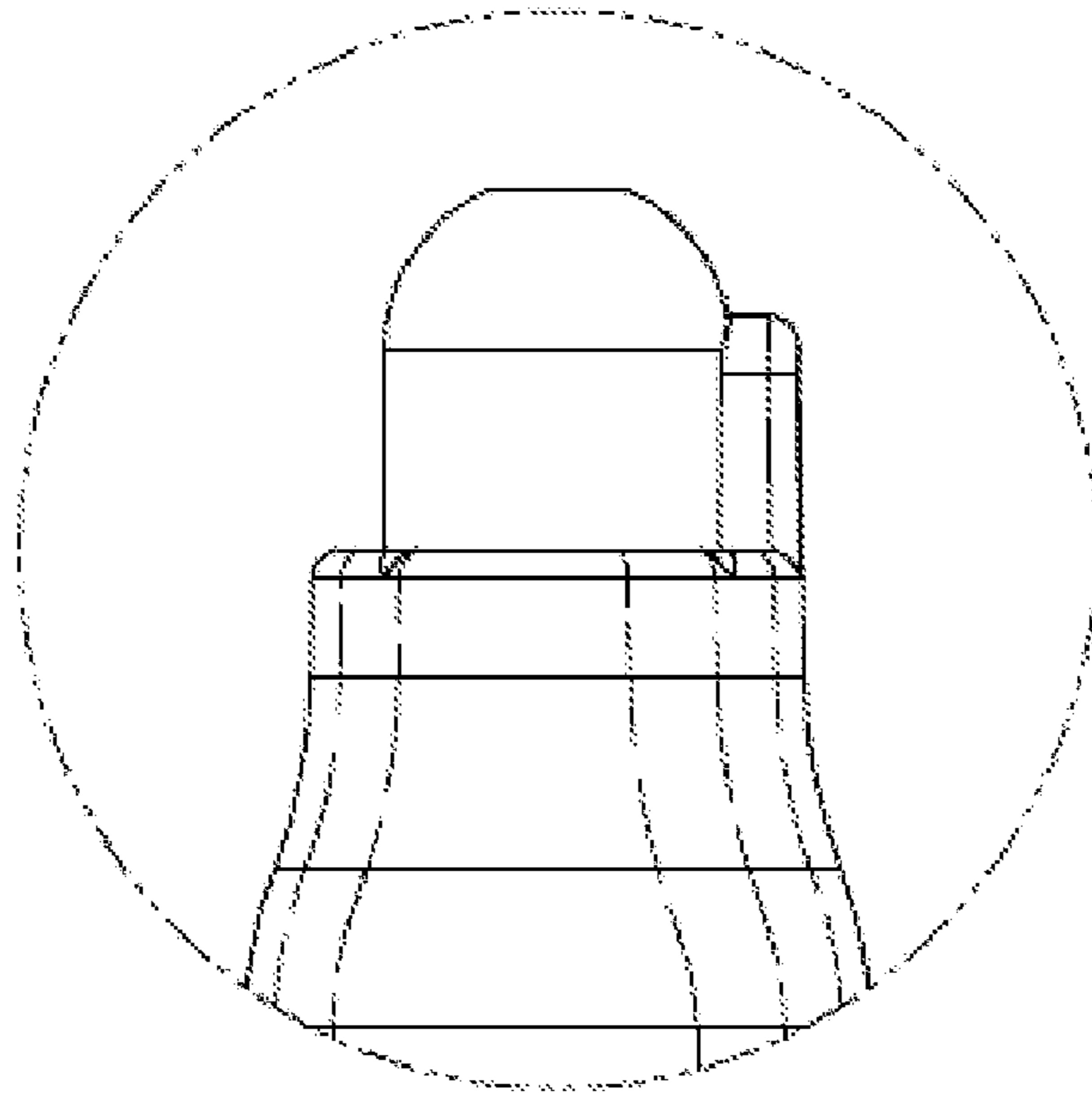


Fig. 2

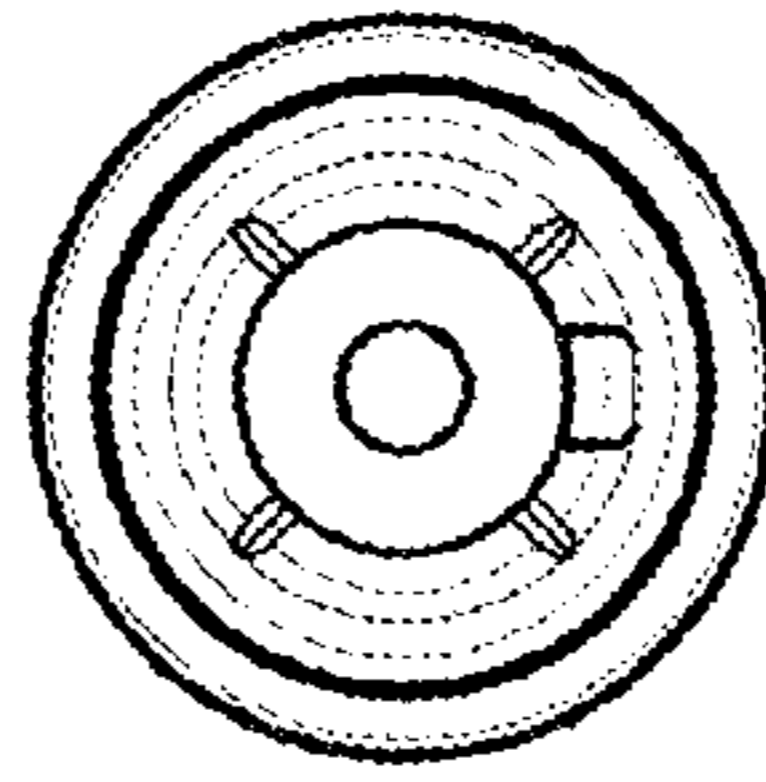


Fig. 3

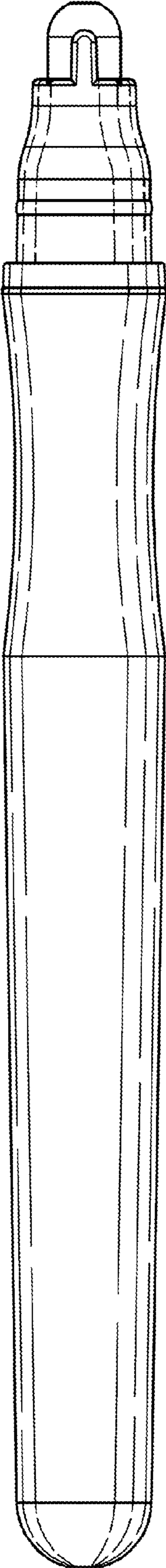


Fig. 4

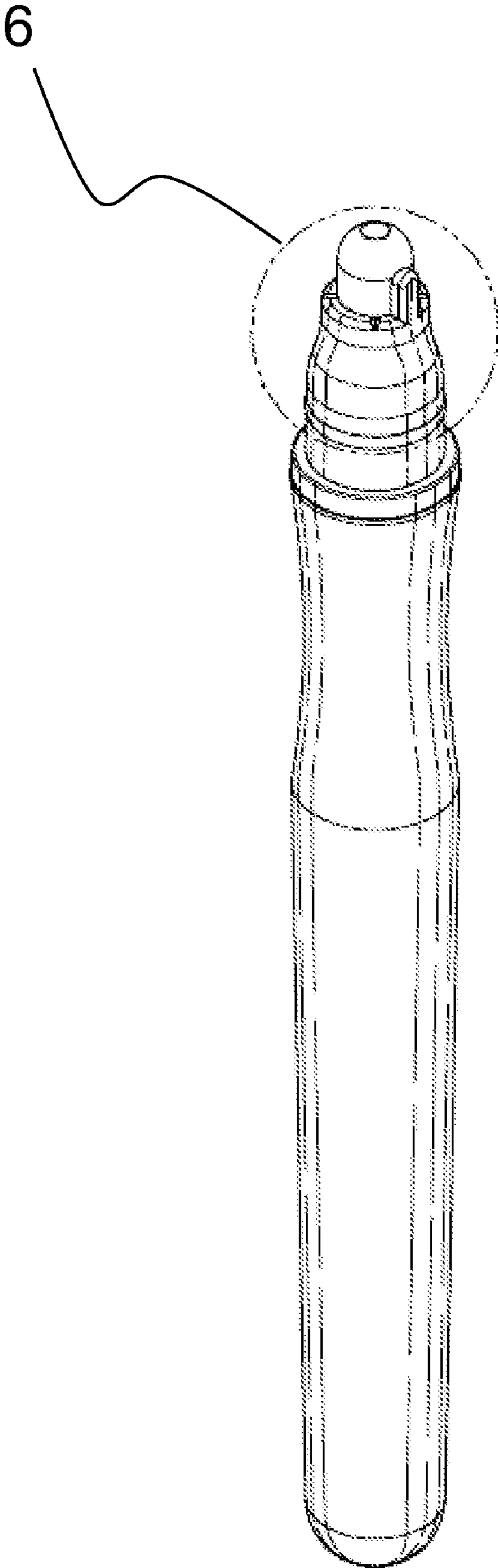


Fig. 5

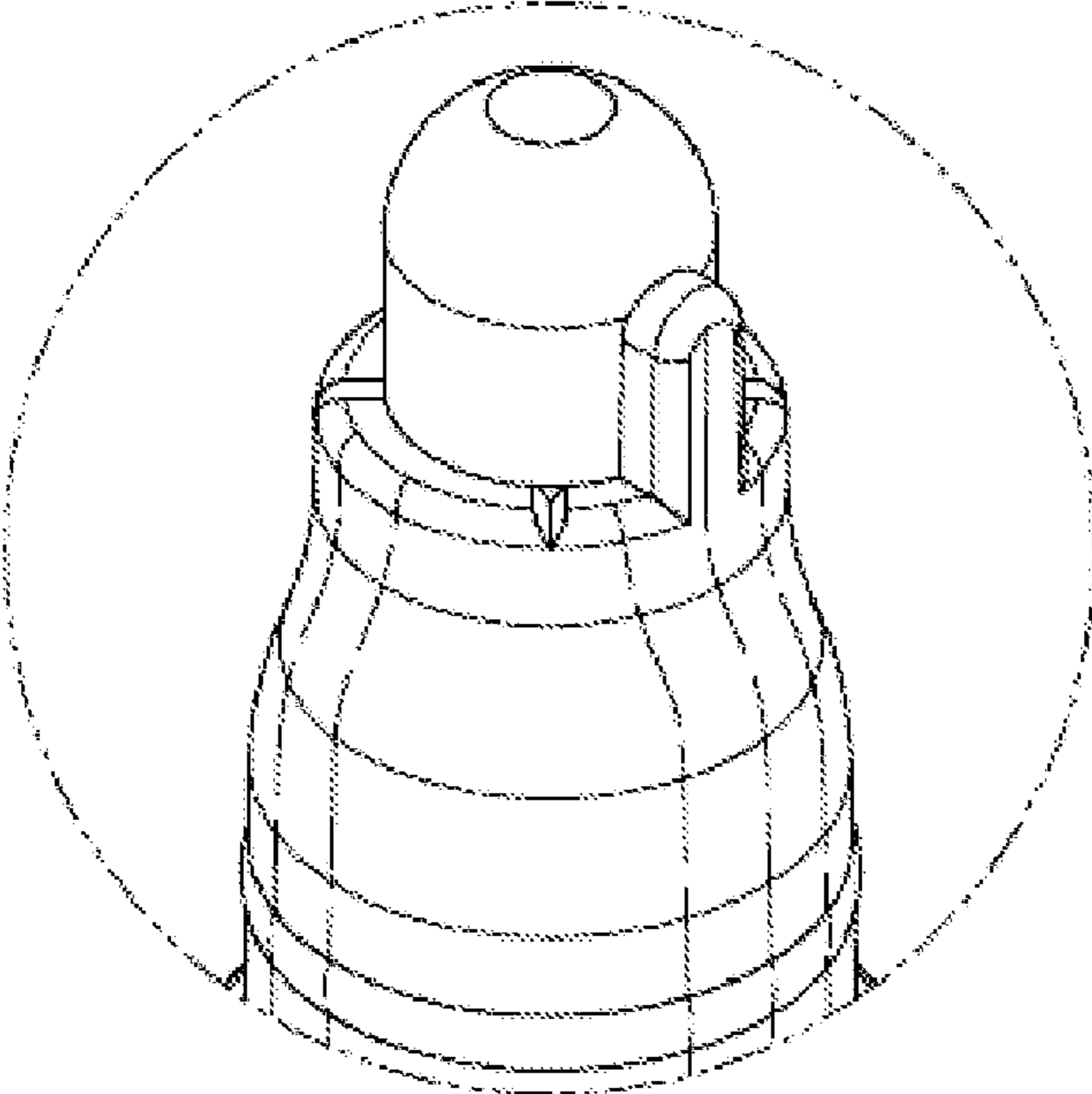


Fig. 6

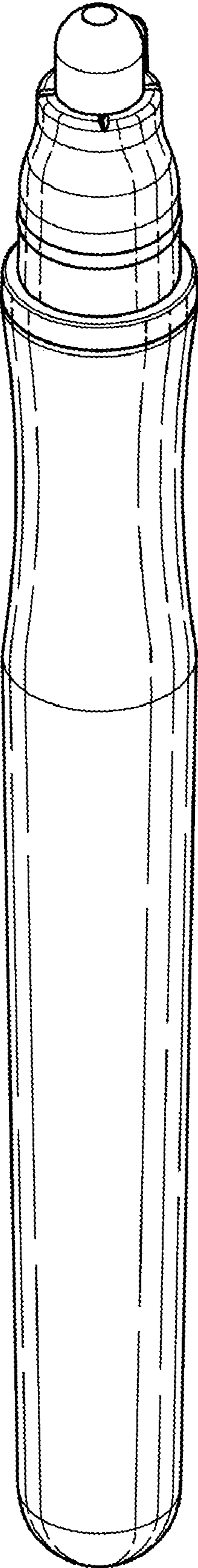


Fig. 7