



US00D667051S

(12) **United States Design Patent**
Sato

(10) **Patent No.:** **US D667,051 S**
(45) **Date of Patent:** **** Sep. 11, 2012**

- (54) **PRINTER**
- (75) Inventor: **Yukihiko Sato**, Nagoya (JP)
- (73) Assignee: **Brother Industries, Ltd.**, Nagoya (JP)
- (**) Term: **14 Years**
- (21) Appl. No.: **29/412,839**
- (22) Filed: **Feb. 8, 2012**

Related U.S. Application Data

- (63) Continuation of application No. 29/378,808, filed on Nov. 10, 2010.

(30) **Foreign Application Priority Data**

May 10, 2010 (JP) 2010-11204
 May 10, 2010 (JP) 2010-11205

- (51) **LOC (9) Cl.** **14-02**
- (52) **U.S. Cl.** **D18/50**
- (58) **Field of Classification Search** D14/420-425,
 D14/463-470; D18/14, 19, 36-37, 50, 54,
 D18/54.1, 55; 400/613, 613.1-613.4, 690,
 400/690.1-690.4, 691-694
 See application file for complete search history.

(56) **References Cited**

U.S. PATENT DOCUMENTS

D282,470 S	2/1986	Dayton	
D295,528 S	5/1988	Masaki et al.	
D304,177 S	10/1989	Hara	
D318,654 S *	7/1991	Huang D14/425
D322,982 S	1/1992	Tashiro	
D339,372 S	9/1993	Kando	
D340,721 S	10/1993	Hirose et al.	
D351,378 S	10/1994	Nakazawa et al.	
D421,425 S	3/2000	Yamano et al.	
D448,403 S	9/2001	Omuro et al.	
D454,128 S	3/2002	Yamano et al.	
D456,412 S	4/2002	Khovaylo et al.	

D478,910 S	8/2003	Khovaylo et al.
D484,532 S	12/2003	Seo et al.
D491,220 S	6/2004	Whitehorn et al.
D513,260 S	12/2005	Ke et al.
D519,151 S	4/2006	Tashiro
D525,626 S	7/2006	Fukunaga et al.
D532,042 S	11/2006	Gant
D532,449 S	11/2006	Tjin Wong Joe et al.
D532,450 S	11/2006	Smith et al.
D532,786 S	11/2006	Iseki
D533,218 S	12/2006	Gant et al.
D534,947 S	1/2007	Gant et al.
D535,324 S	1/2007	Park et al.
D537,869 S	3/2007	Gant et al.
D541,332 S	4/2007	Tsuchiya
D555,194 S	11/2007	Smith et al.
D558,823 S	1/2008	Alfonso et al.
D559,899 S	1/2008	Leong et al.

(Continued)

OTHER PUBLICATIONS

Nov. 15, 2011 Office Action issued in U.S. Appl. No. 29/378,808.

(Continued)

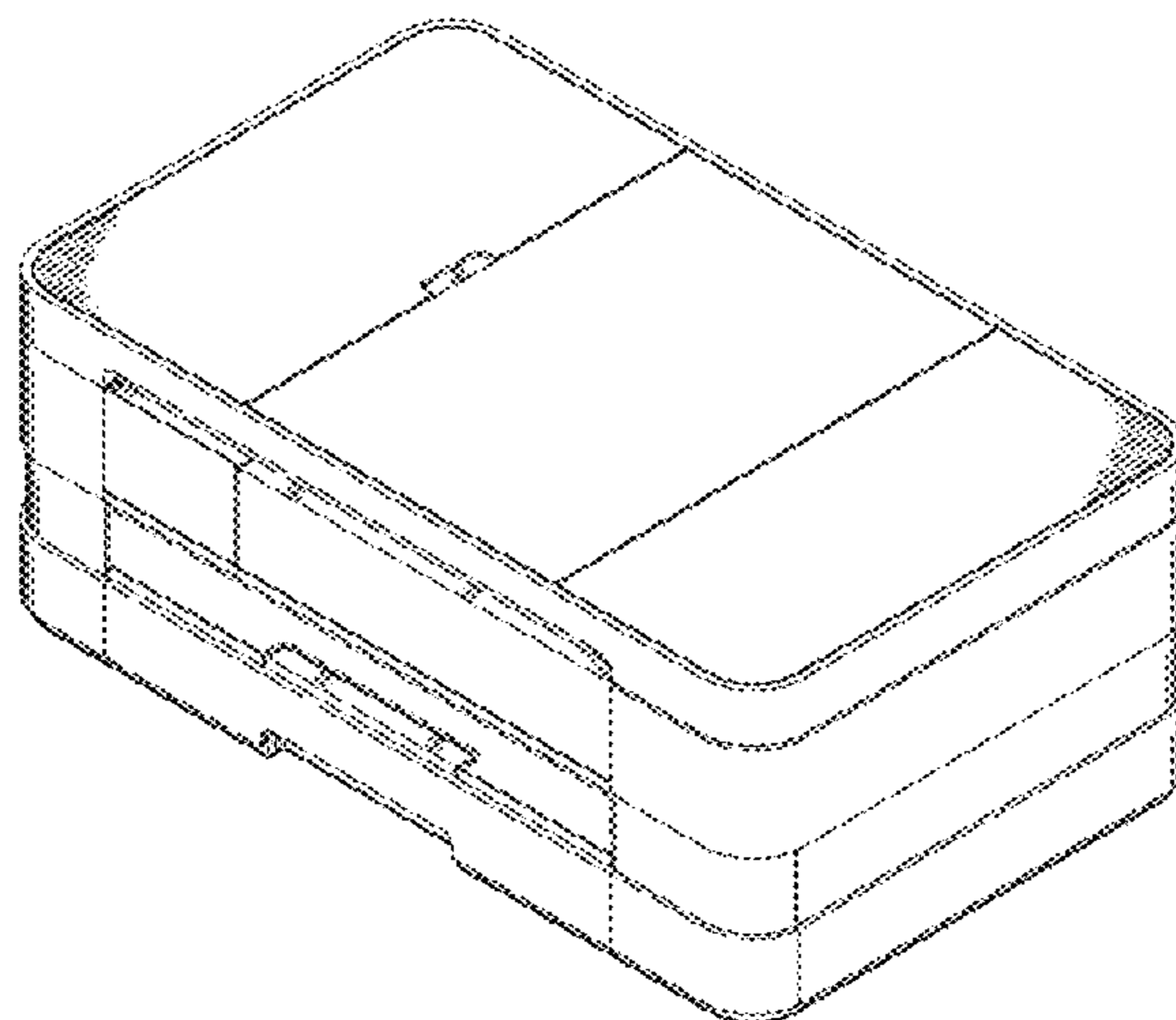
Primary Examiner — Cathy A MacCormac
(74) *Attorney, Agent, or Firm* — Oliff & Berridge, PLC

(57) **CLAIM**
The ornamental design for a printer, as shown and described.

DESCRIPTION

FIG. 1 is a perspective view of a printer;
 FIG. 2 is a front view thereof;
 FIG. 3 is a top view thereof;
 FIG. 4 is a right-side view thereof, the left-side view being a mirror image of the right-side view;
 FIG. 5 is a rear view thereof; and,
 FIG. 6 is a bottom view thereof.
 The broken lines illustrate unclaimed subject matter only and form no part of the claimed design.

1 Claim, 4 Drawing Sheets



US D667,051 S

Page 2

U.S. PATENT DOCUMENTS

D561,250 S 2/2008 Smith et al.
D561,251 S 2/2008 Tjin Wong Joe et al.
D563,461 S 3/2008 Kobayashi et al.
D566,755 S 4/2008 Gant et al.
D573,179 S 7/2008 Bae et al.
D584,346 S 1/2009 Sumi
D595,347 S 6/2009 Tjin Wong Joe et al.
D599,754 S 9/2009 Xie et al.
D605,222 S 12/2009 Yoshioka et al.
D607,502 S 1/2010 Lee et al.
D607,925 S 1/2010 Morrison et al.
D609,270 S 2/2010 Kato et al.
D611,091 S 3/2010 Ishikawa et al.

D613,791 S 4/2010 Yoshioka et al.
D614,234 S 4/2010 Ishikawa et al.
D631,479 S 1/2011 Komuro et al.
D643,039 S 8/2011 Wilday et al.
D645,078 S 9/2011 Kim et al.
D645,896 S 9/2011 Iwai et al.
D647,957 S 11/2011 Dwyer et al.
D648,377 S 11/2011 Miyauchi et al.
D648,782 S 11/2011 Dwyer et al.

OTHER PUBLICATIONS

Feb. 15, 2012 Office Action issued in U.S. Appl. No. 29/378,808.

* cited by examiner

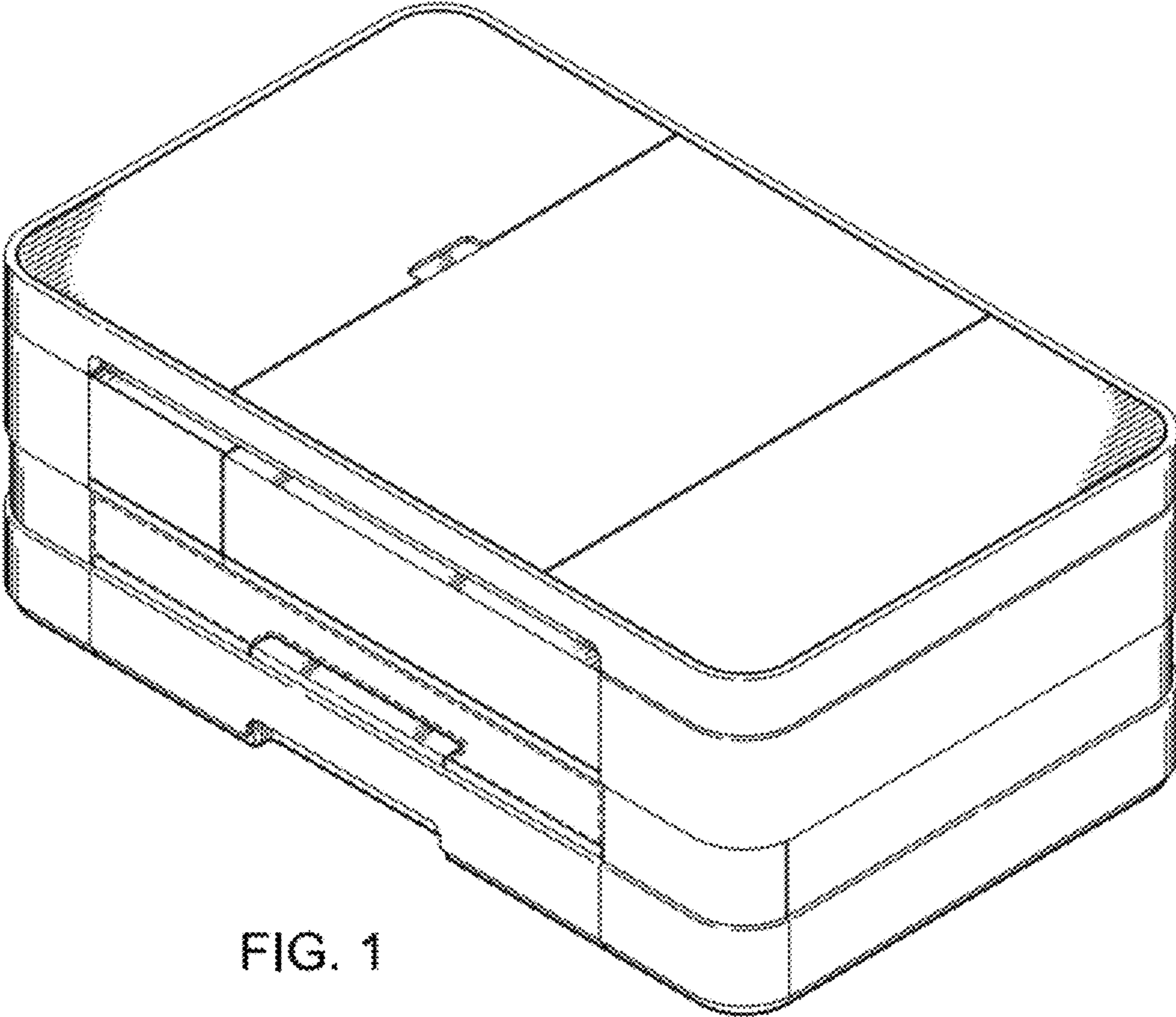


FIG. 1

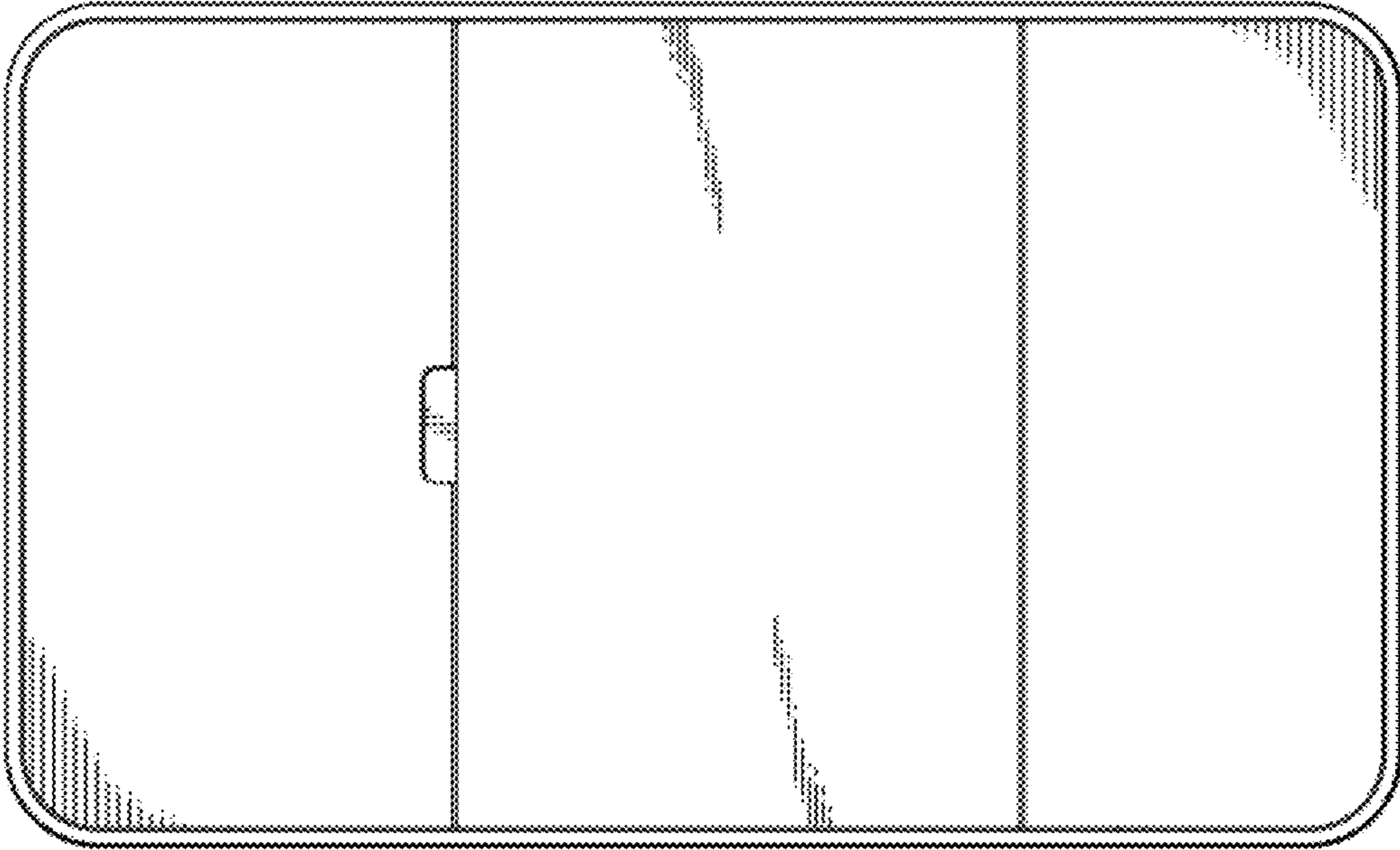


FIG. 3

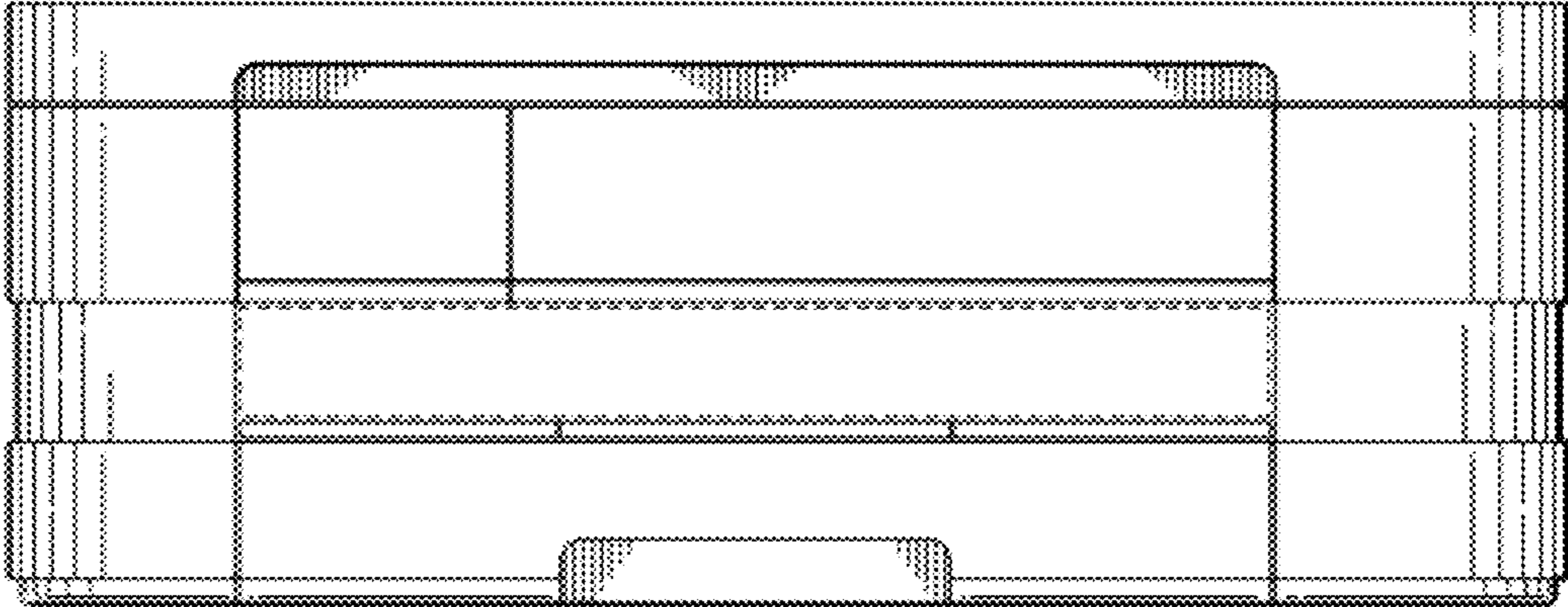


FIG. 2

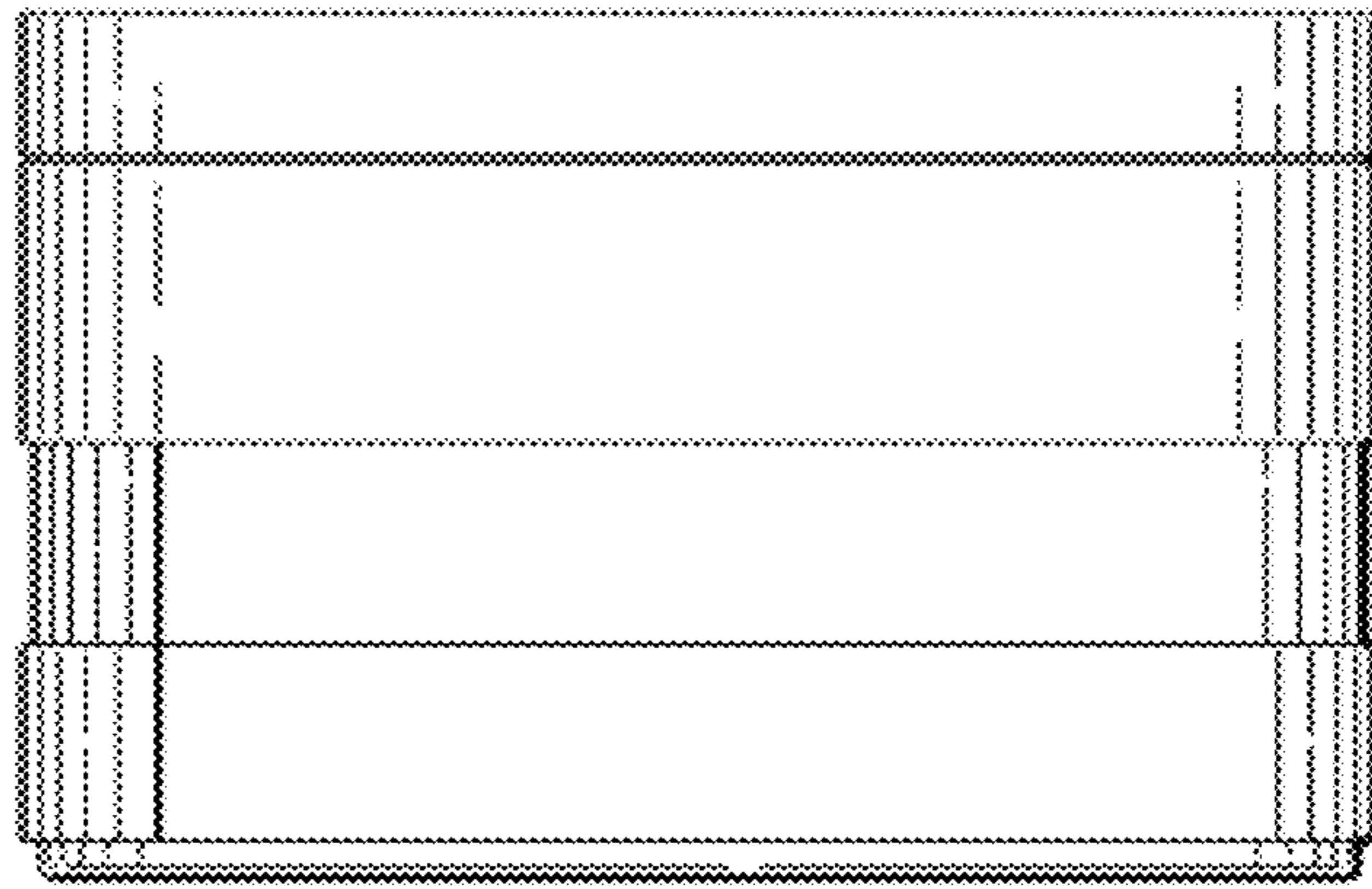


FIG. 4



FIG. 5

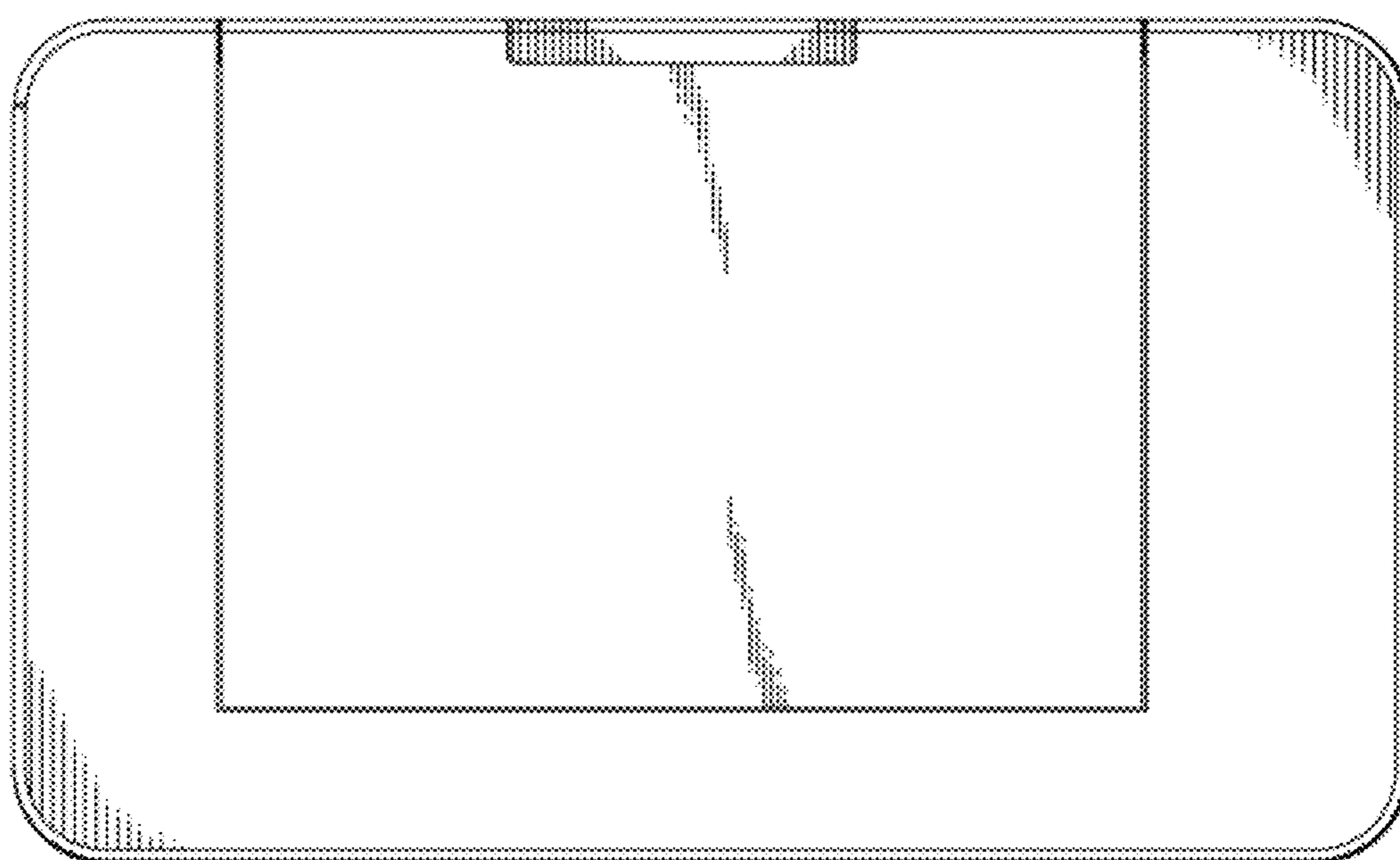


FIG. 6