



US00D667049S

(12) **United States Design Patent**  
**Park et al.**

(10) **Patent No.:** **US D667,049 S**  
(45) **Date of Patent:** **\*\* Sep. 11, 2012**

(54) **ROTARY TORQUE TRANSFER UNIT FOR PHOTO-SENSITIVE DRUM OF IMAGE FORMING APPARATUS**

(75) Inventors: **Jang Soon Park**, Gyeonggi-do (KR); **Bum Jin Lee**, Chungbuk (KR); **Chang Rae Seong**, Chungbuk (KR)

(73) Assignees: **Baiksan OPC Co., Ltd.** (KR); **Jang Soon Park** (KR)

(\*\*) Term: **14 Years**

(21) Appl. No.: **29/400,186**

(22) Filed: **Aug. 24, 2011**

(30) **Foreign Application Priority Data**

Feb. 25, 2011 (KR) ..... 30-2011-0007745

(51) **LOC (9) Cl.** ..... **16-03**

(52) **U.S. Cl.** ..... **D18/43**

(58) **Field of Classification Search** ..... D14/471;  
D18/12, 36, 40, 43, 44, 56; 222/DIG. 1;  
347/197, 222; 399/24-28, 107-112, 119,  
399/121, 122, 222-224

See application file for complete search history.

(56) **References Cited**

**U.S. PATENT DOCUMENTS**

D267,254	S *	12/1982	Jolliffe	.....	D18/12
D268,846	S *	5/1983	Jolliffe	.....	D18/12
5,903,803	A	5/1999	Kawai et al.	.....	399/116
6,029,032	A *	2/2000	Watanabe et al.	.....	399/111
D432,916	S *	10/2000	Drinkwater et al.	.....	D18/43
6,324,363	B1	11/2001	Watanabe et al.	.....	399/111
6,336,018	B1	1/2002	Kawai et al.	.....	399/117
D537,472	S *	2/2007	Amano	.....	D18/43
D618,720	S *	6/2010	Wasai	.....	D18/43
D618,721	S *	6/2010	Wasai	.....	D18/43
7,747,189	B2 *	6/2010	Shanun et al.	.....	399/109

D620,522	S *	7/2010	Amano	.....	D18/43
2002/0034398	A1 *	3/2002	Higeta et al.	.....	399/109
2007/0036586	A1 *	2/2007	Funamoto	.....	399/122
2007/0253734	A1 *	11/2007	Shin	.....	399/159
2010/0196047	A1 *	8/2010	Jin	.....	399/111

\* cited by examiner

*Primary Examiner* — Garth Rademaker

(74) *Attorney, Agent, or Firm* — Kusner & Jaffe

(57) **CLAIM**

The ornamental design for the rotary torque transfer unit for photo-sensitive drum of image forming apparatus, as shown and described.

**DESCRIPTION**

FIG. 1 is a perspective view of a rotary torque transfer unit showing our new design;

FIG. 2 is a front view thereof;

FIG. 3 is a back view thereof;

FIG. 4 is a left side view thereof;

FIG. 5 is a right side view thereof;

FIG. 6 is a top view thereof;

FIG. 7 is a bottom view thereof;

FIG. 8 is an enlarged perspective view of the front end portion thereof;

FIG. 9 is an enlarged, cross-section view thereof, taken along line 9-9 of FIG. 8;

FIG. 10 is an enlarged, cross-section view thereof, taken along line 10-10 of FIG. 8;

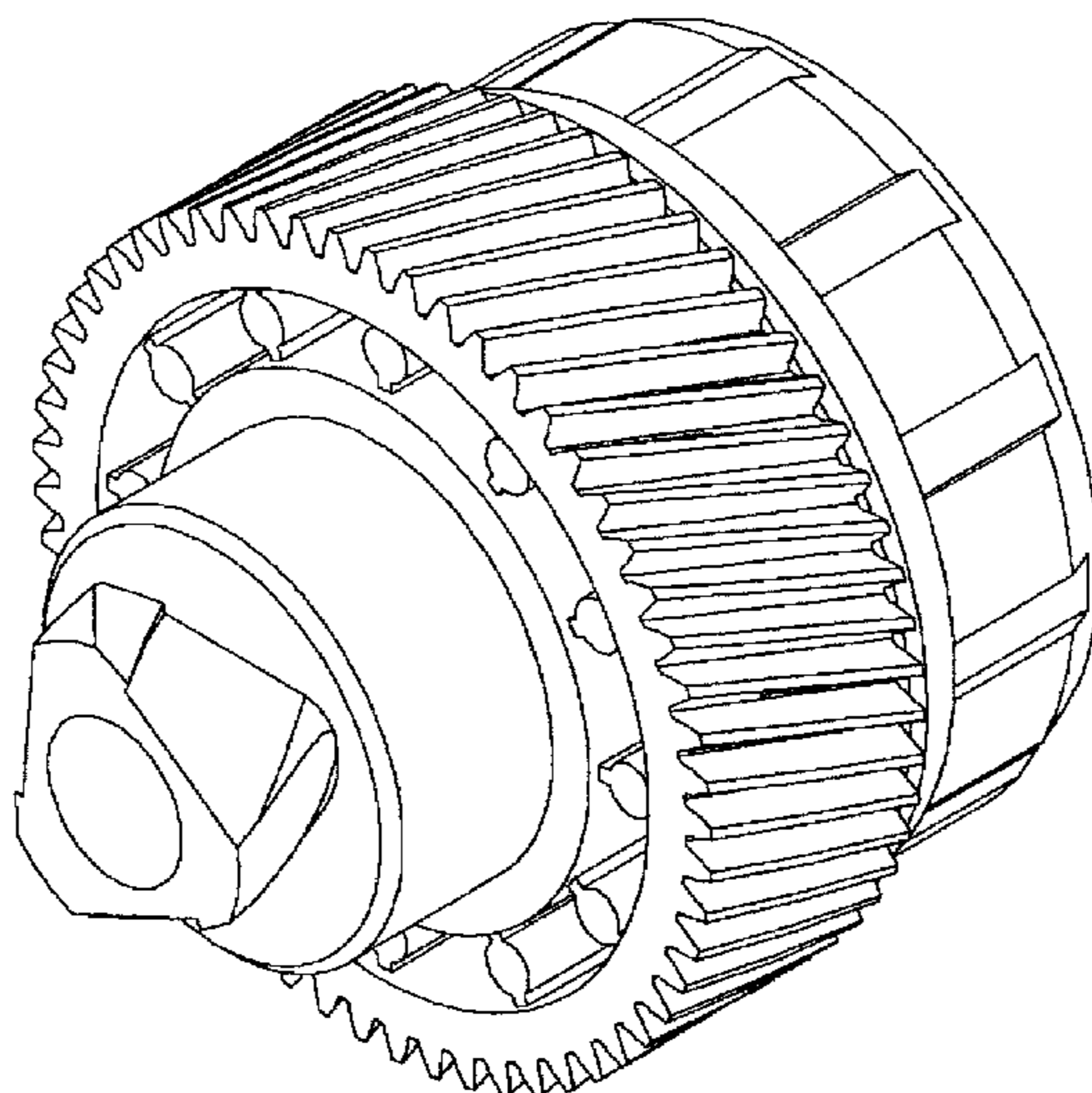
FIG. 11 is a perspective view thereof, showing the rotary torque transfer unit aligned for connection with a gear element;

FIG. 12 is a side view thereof, showing the connection of the rotary torque transfer unit to a cross-sectioned portion of a gear element; and,

FIG. 13 is a perspective view of the back end thereof.

The broken lines depict environmental subject matter only and form no part of the claimed design.

**1 Claim, 13 Drawing Sheets**



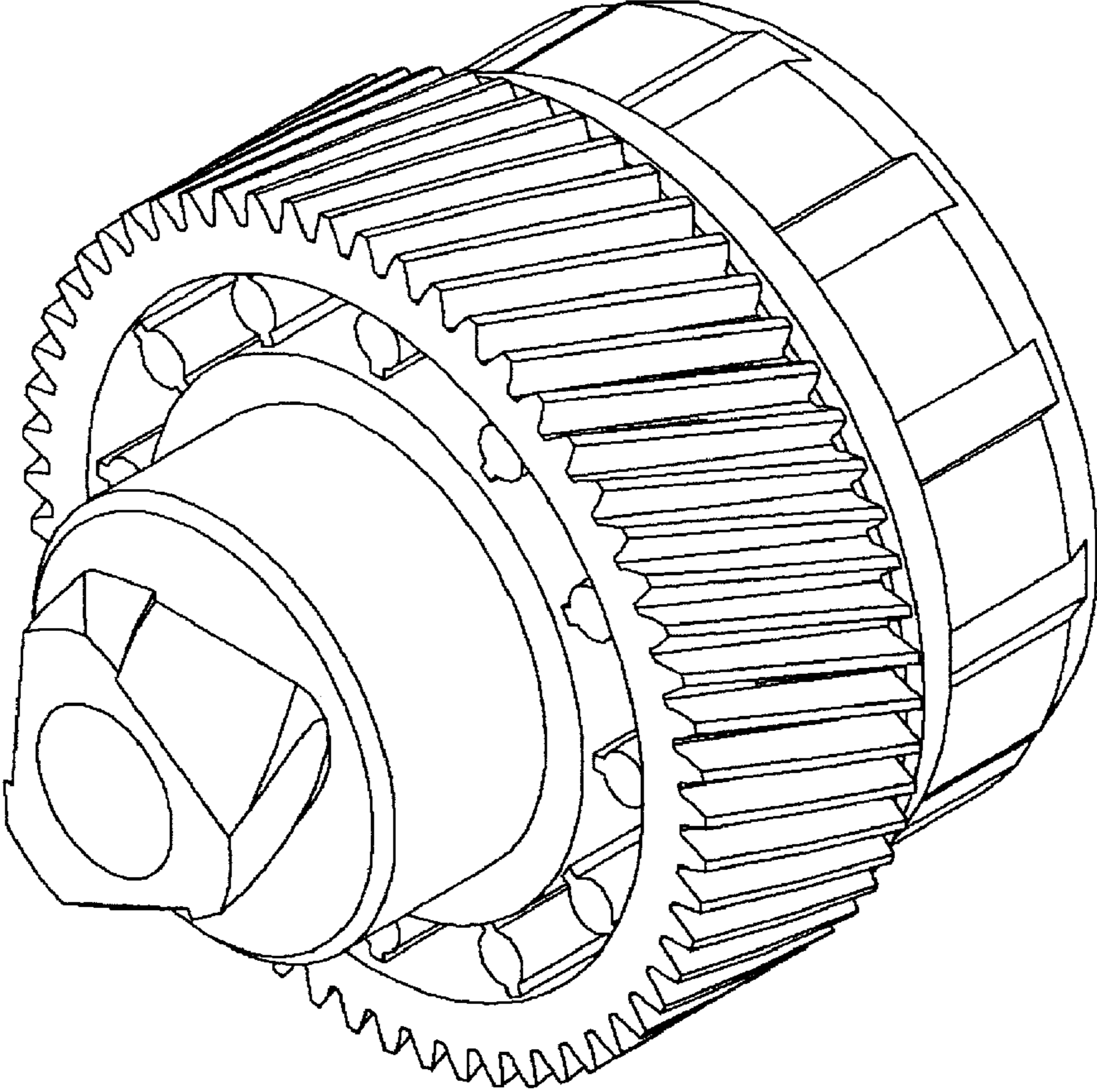


FIG. 1

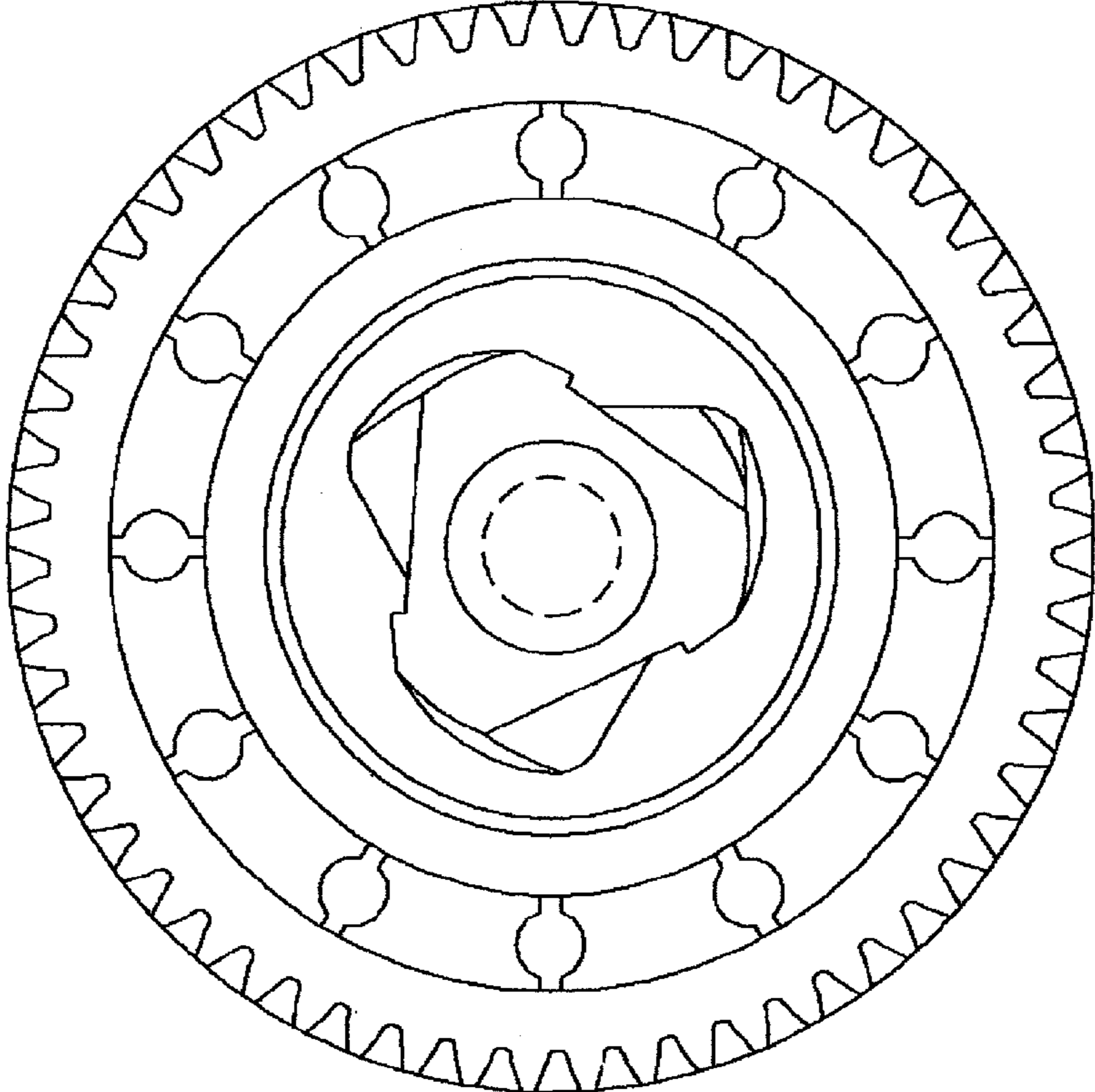


FIG. 2

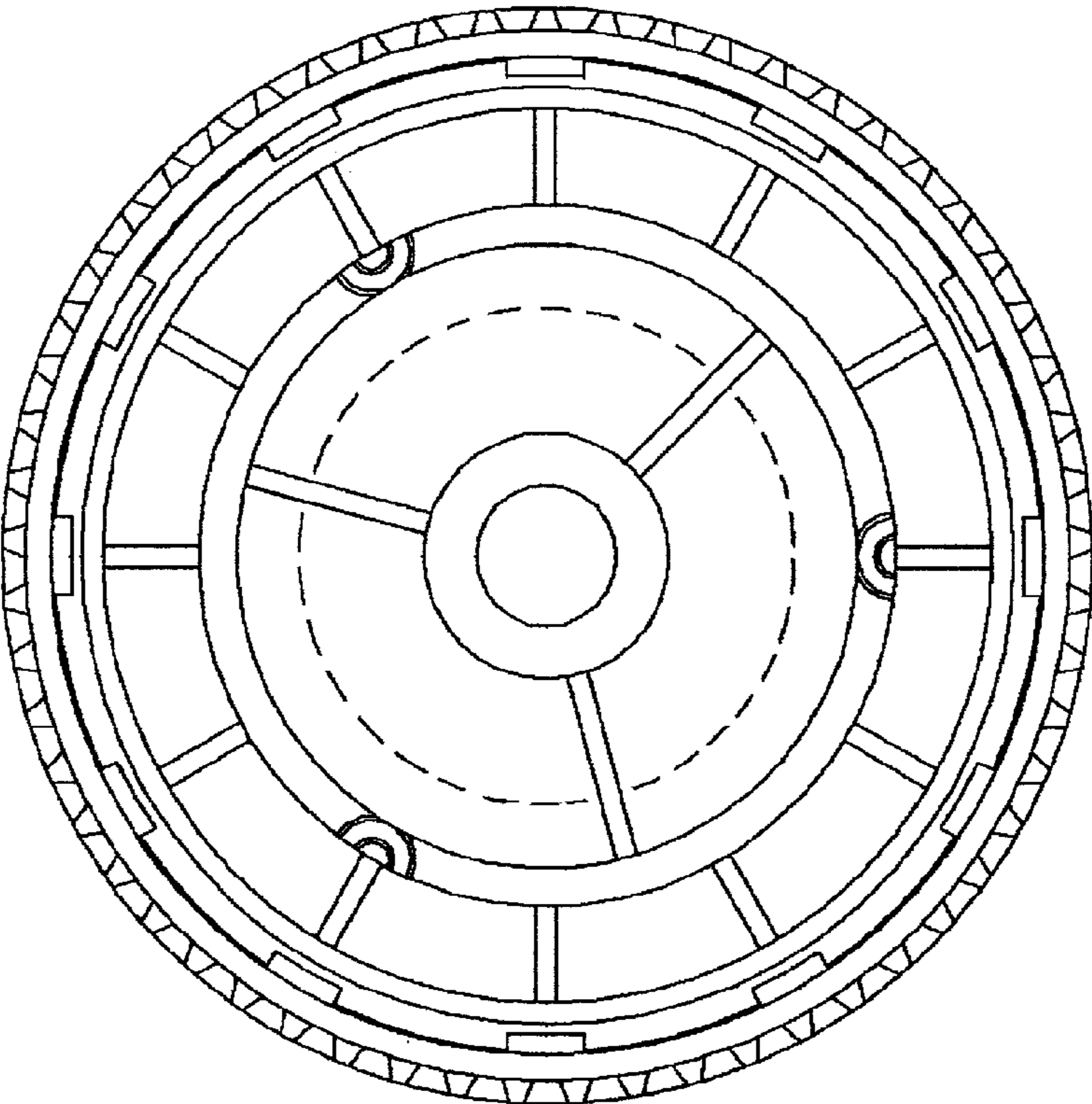


FIG. 3

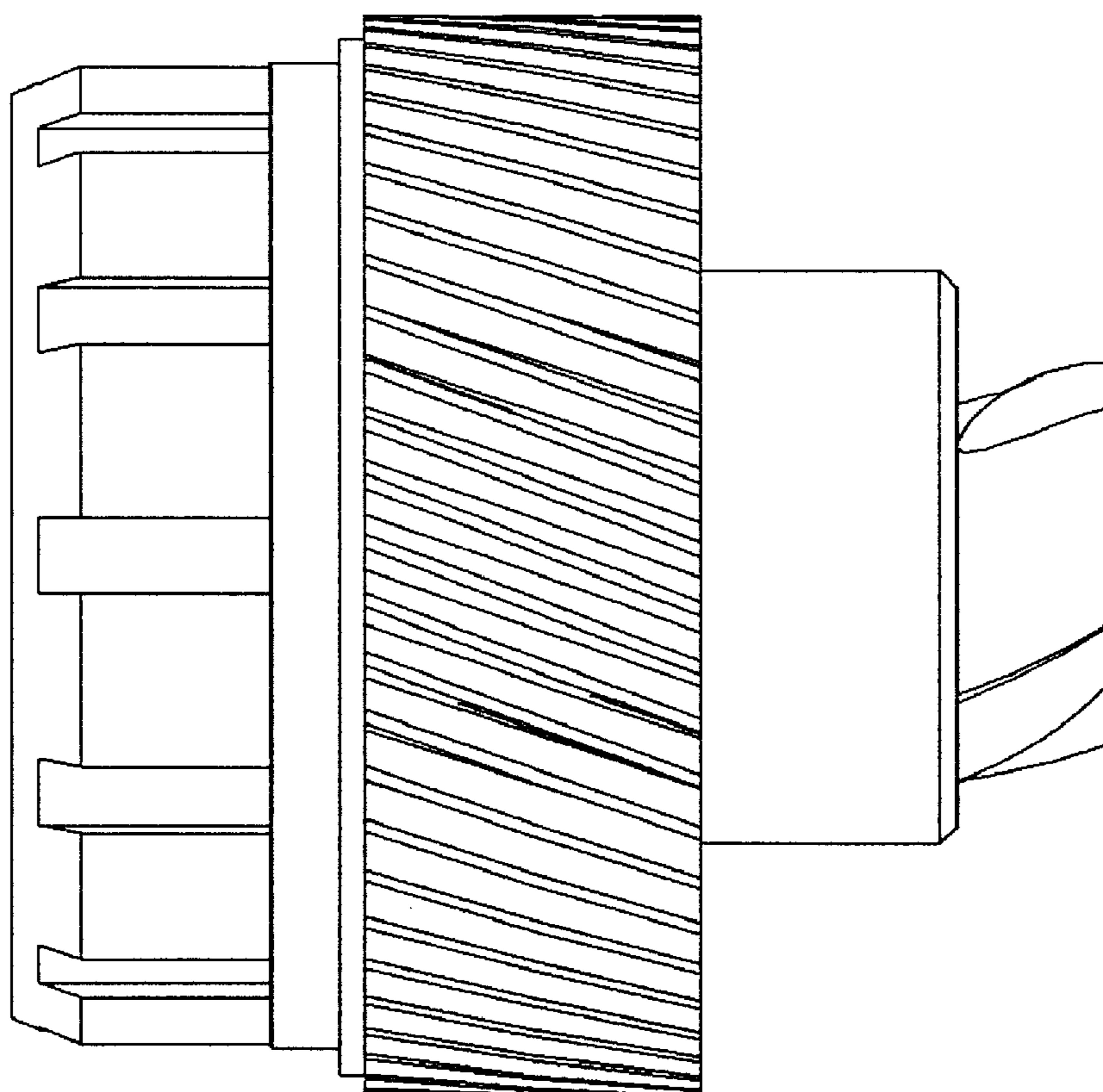


FIG. 4

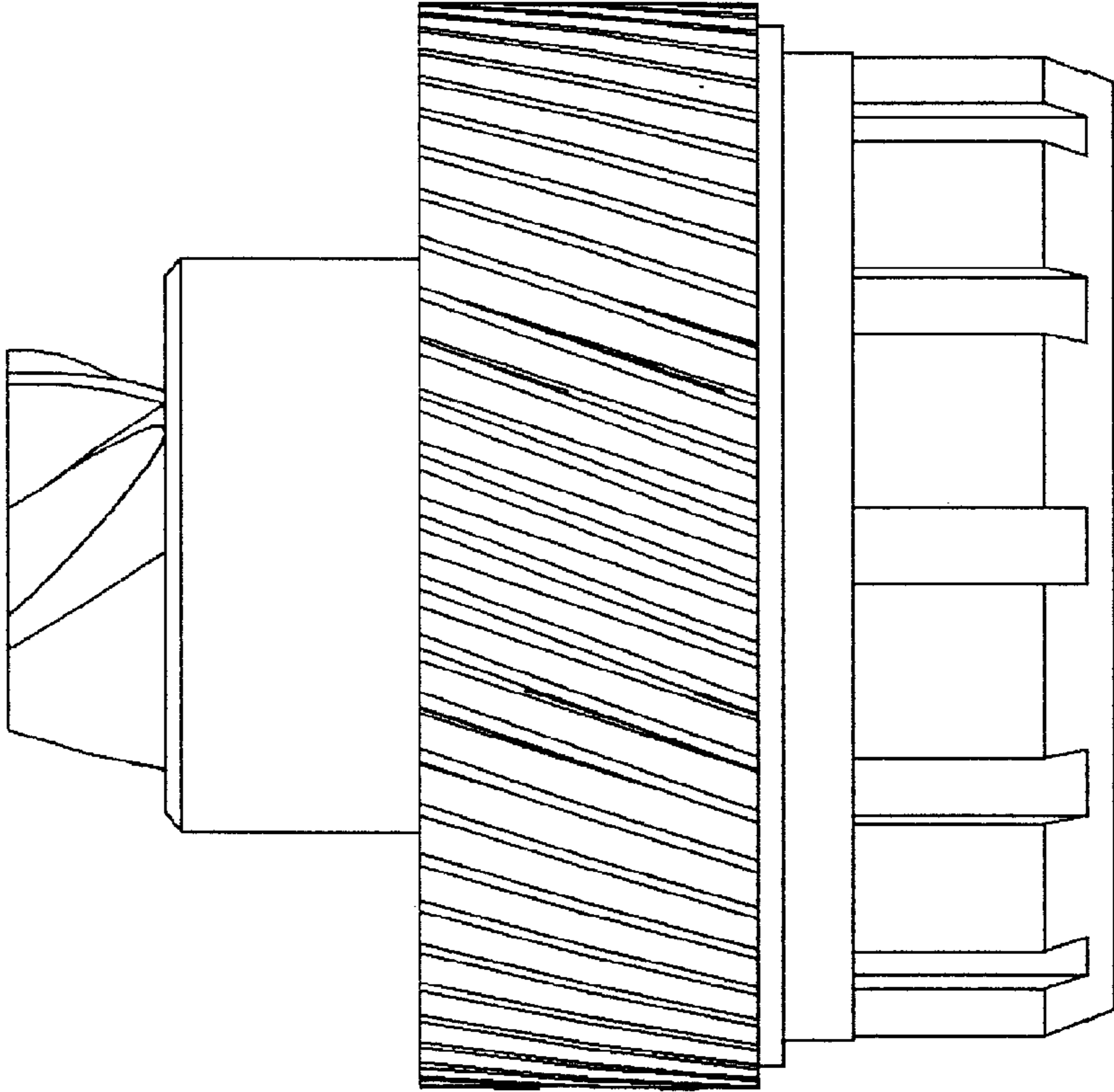


FIG. 5

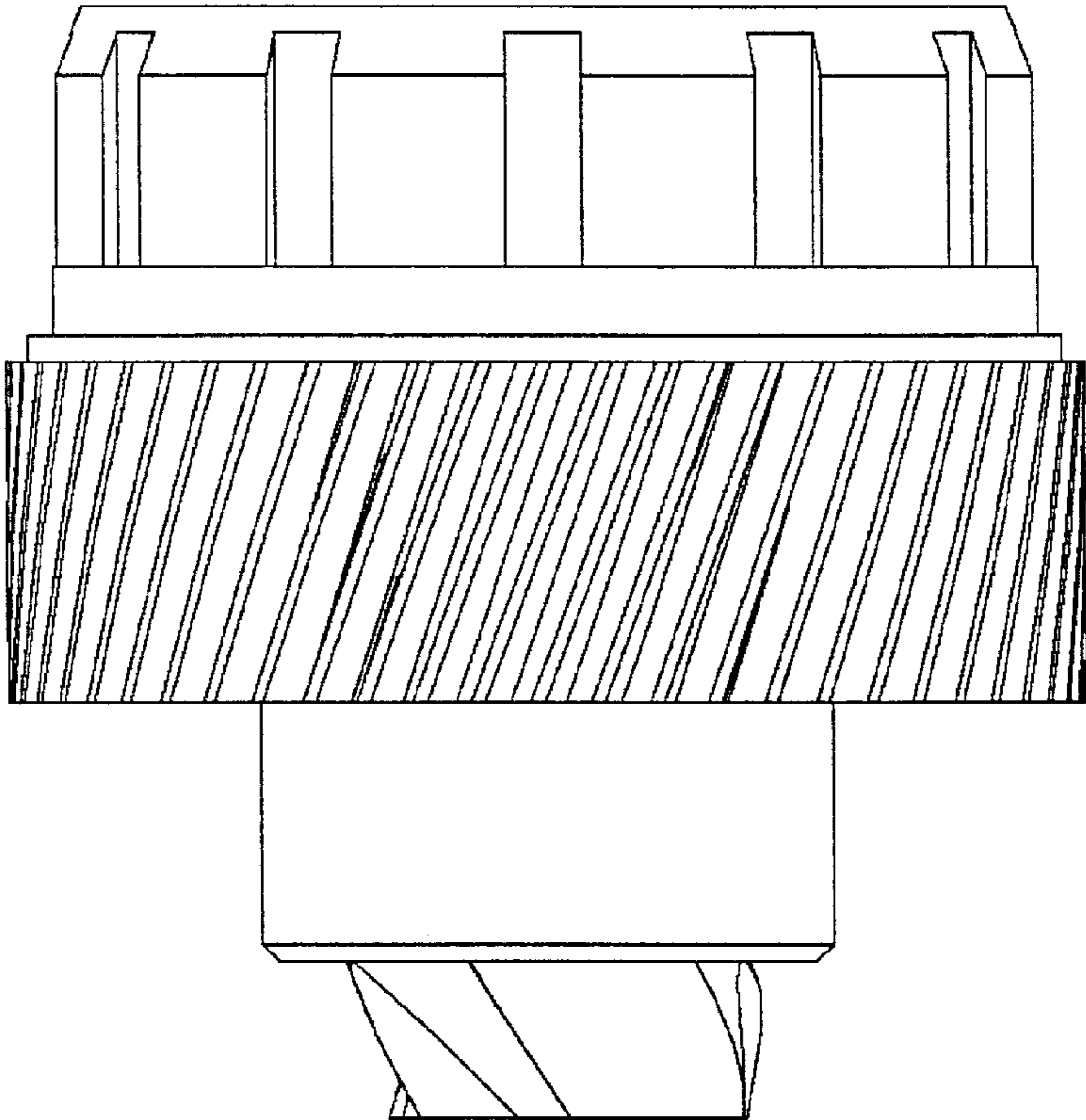


FIG. 6

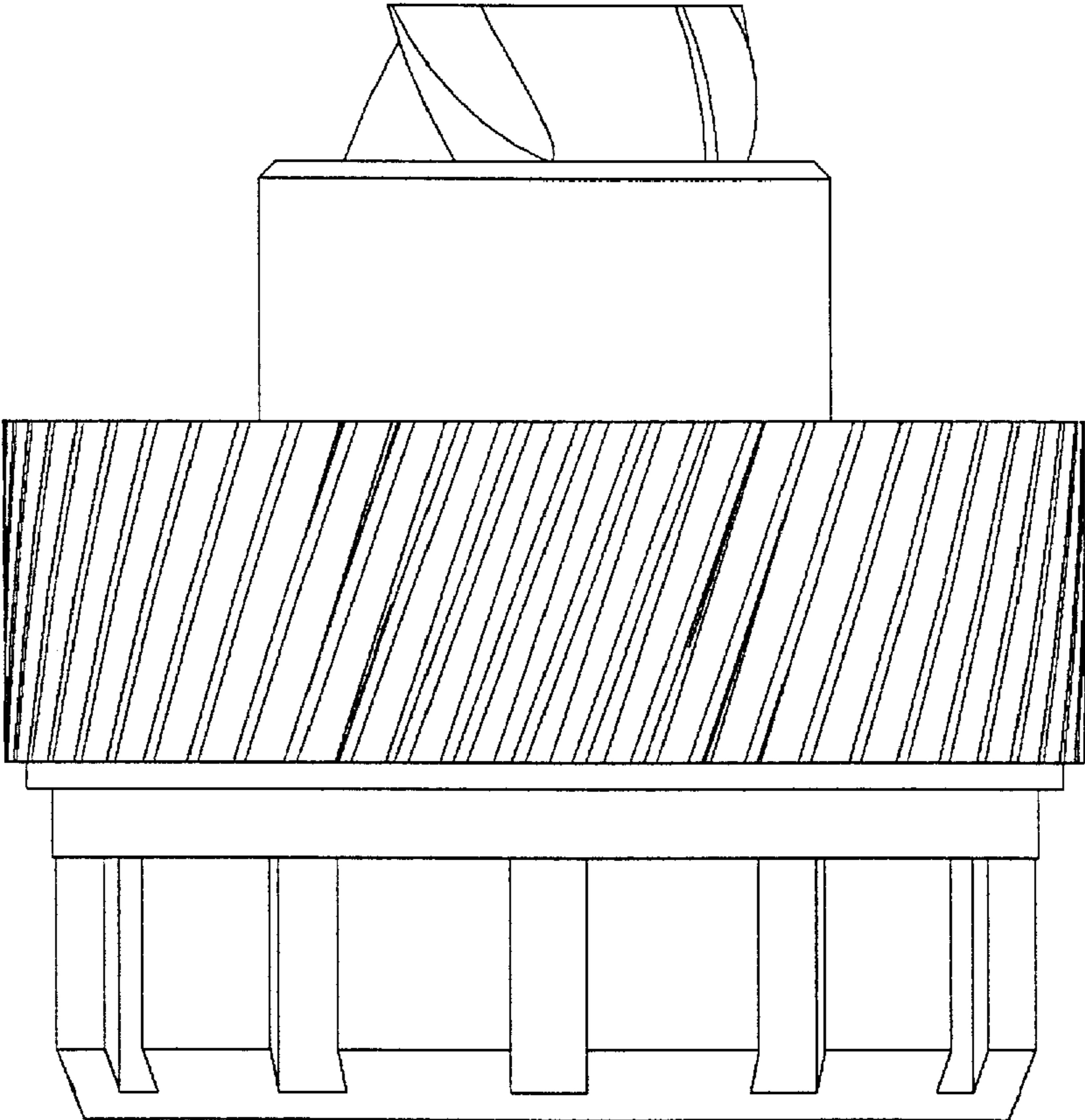
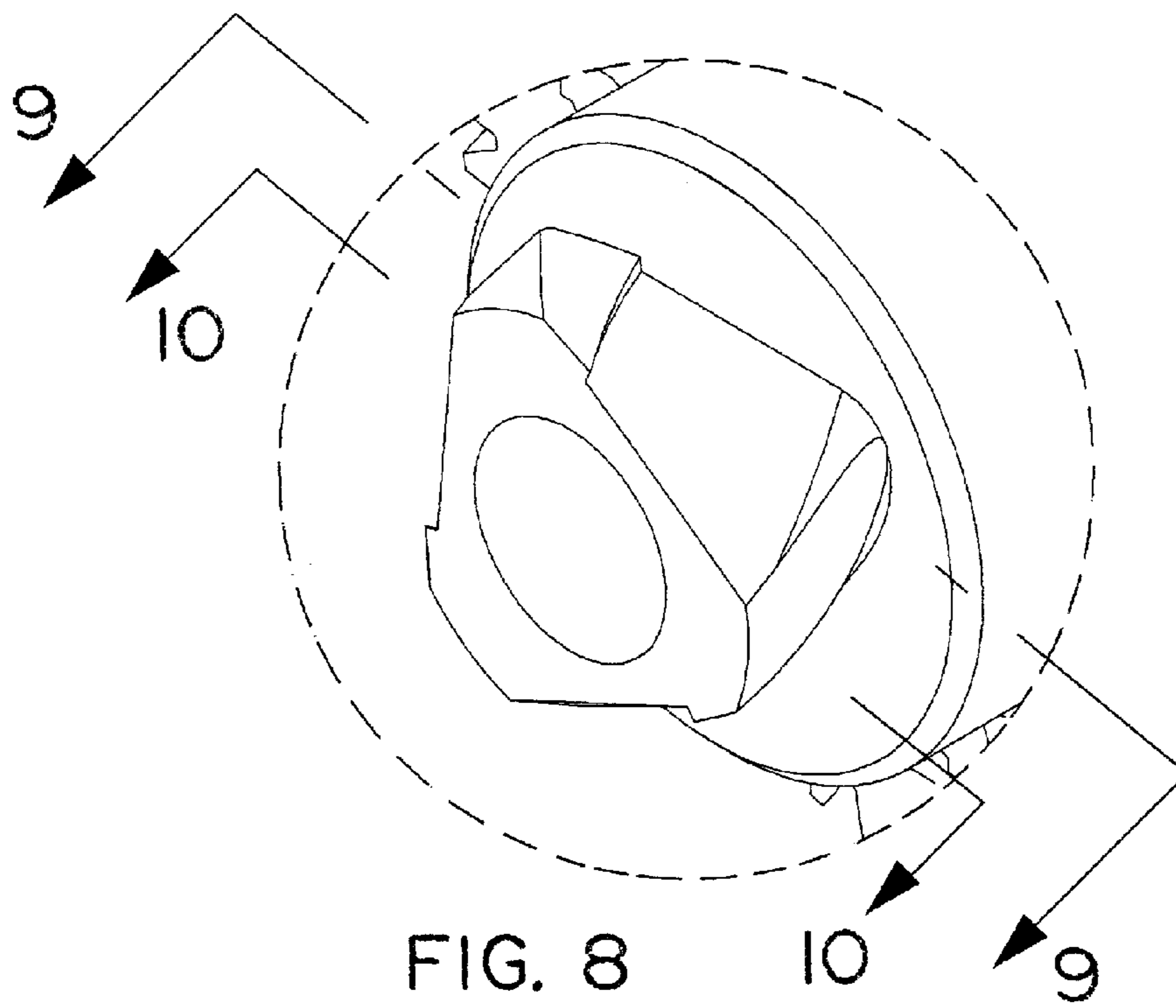


FIG. 7





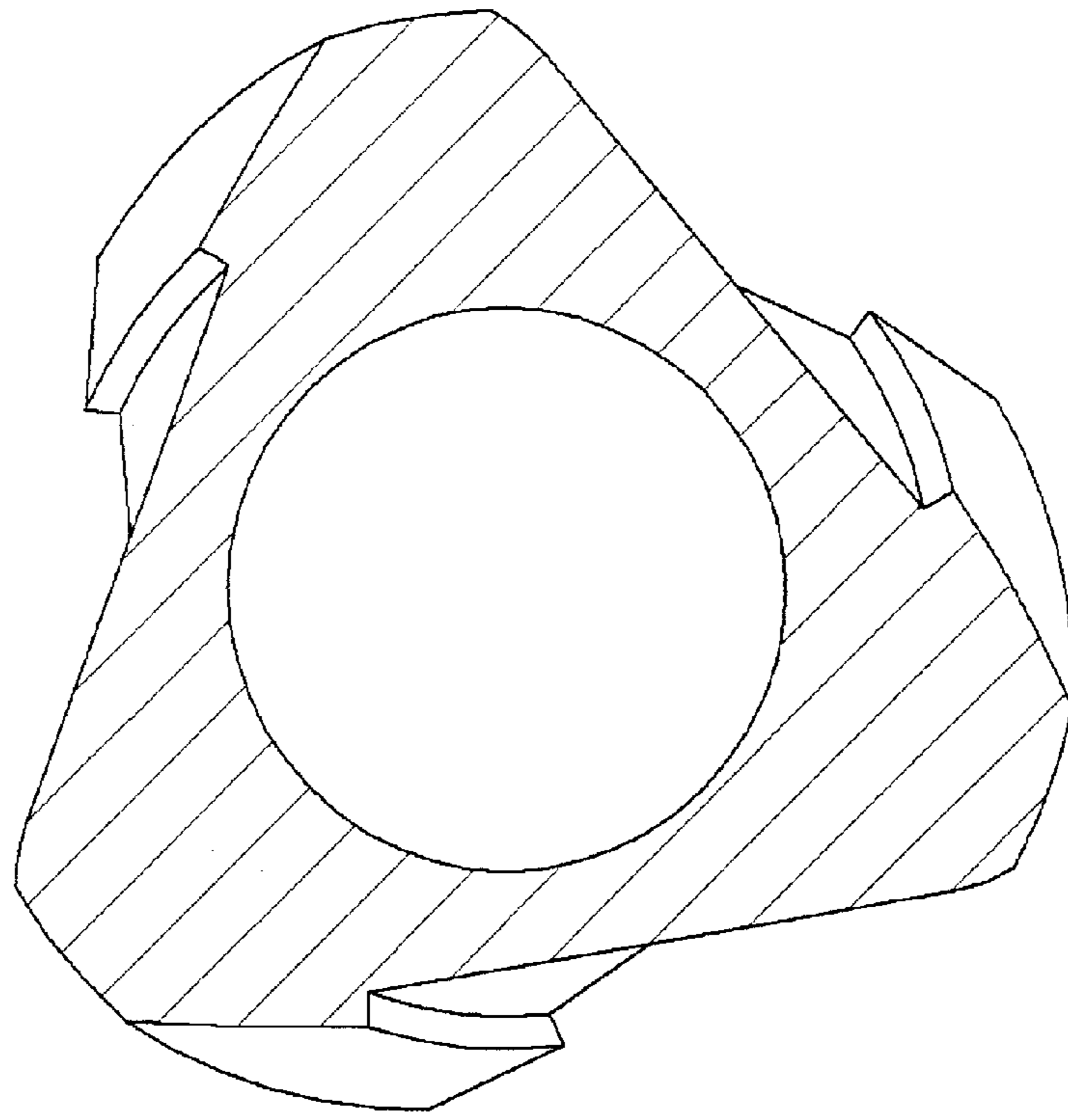


FIG. 9

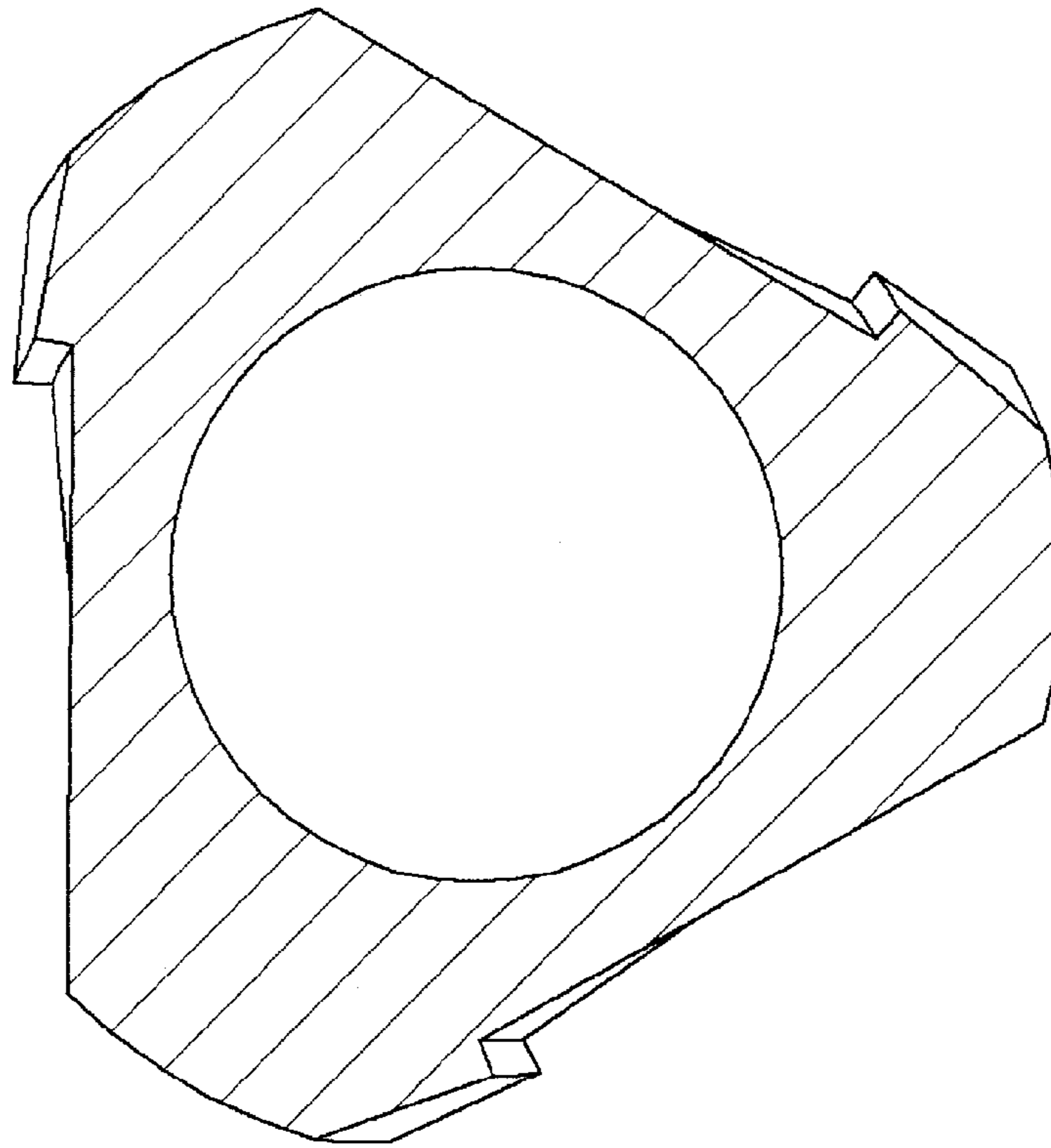


FIG. 10

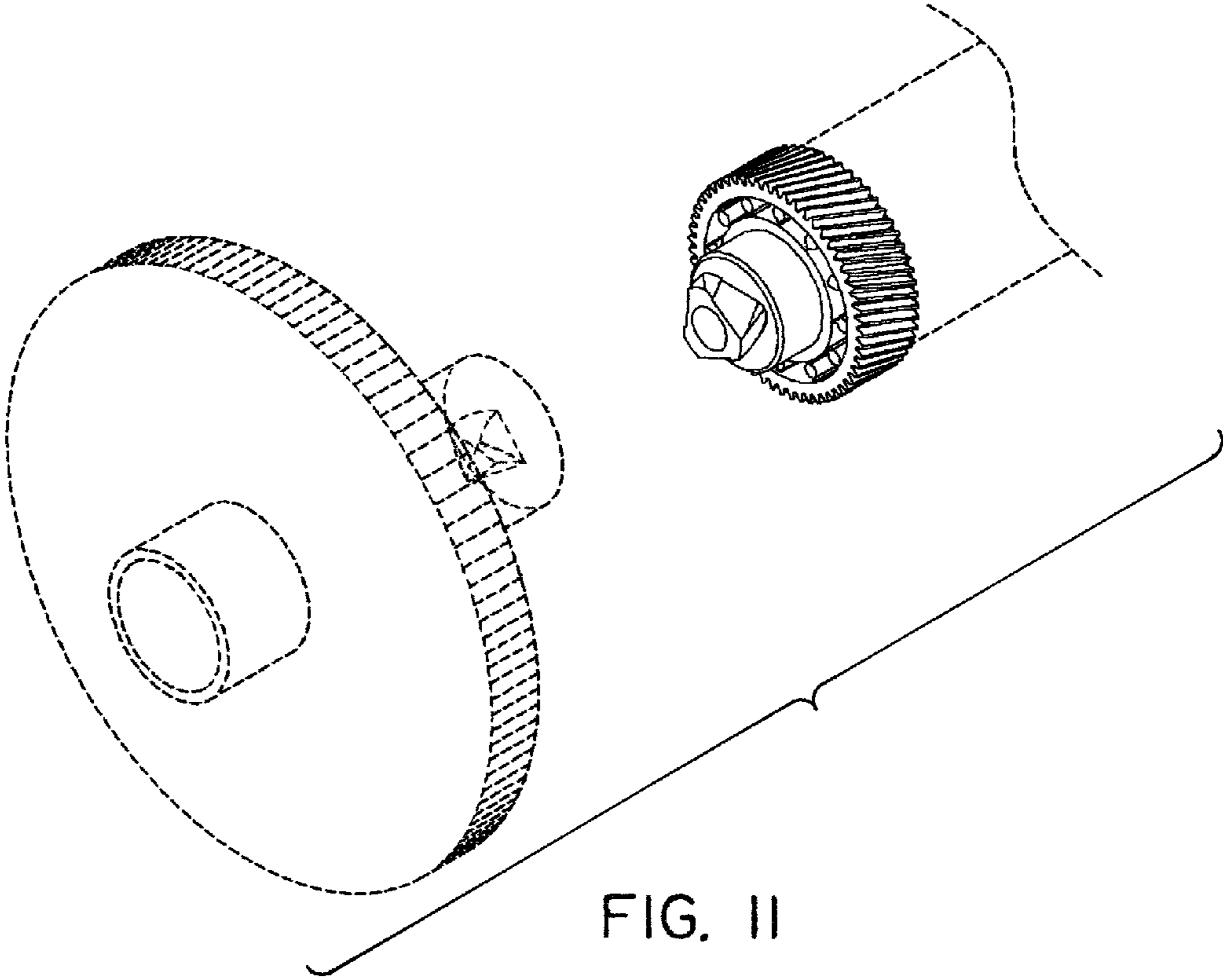


FIG. II

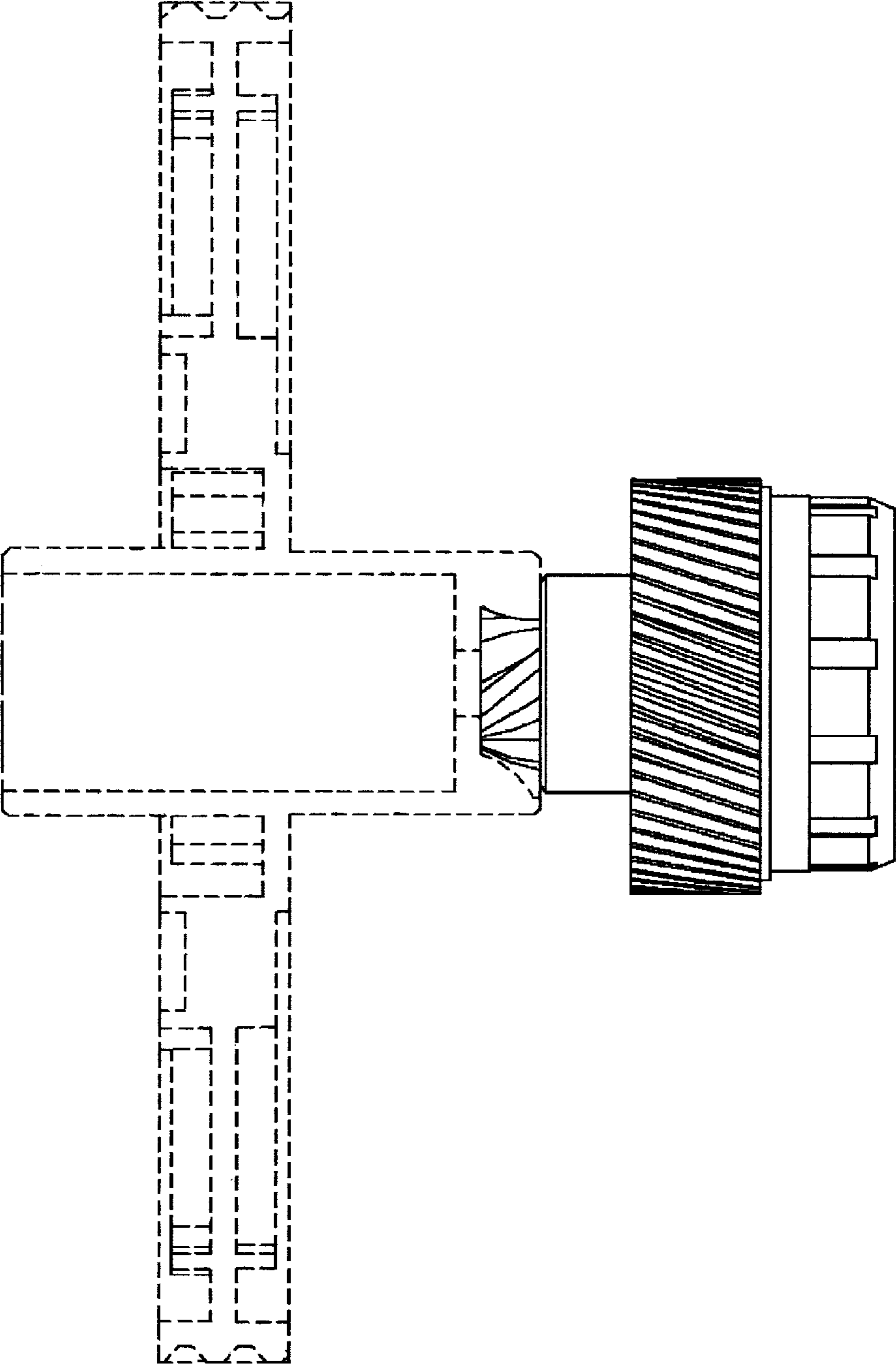


FIG. 12

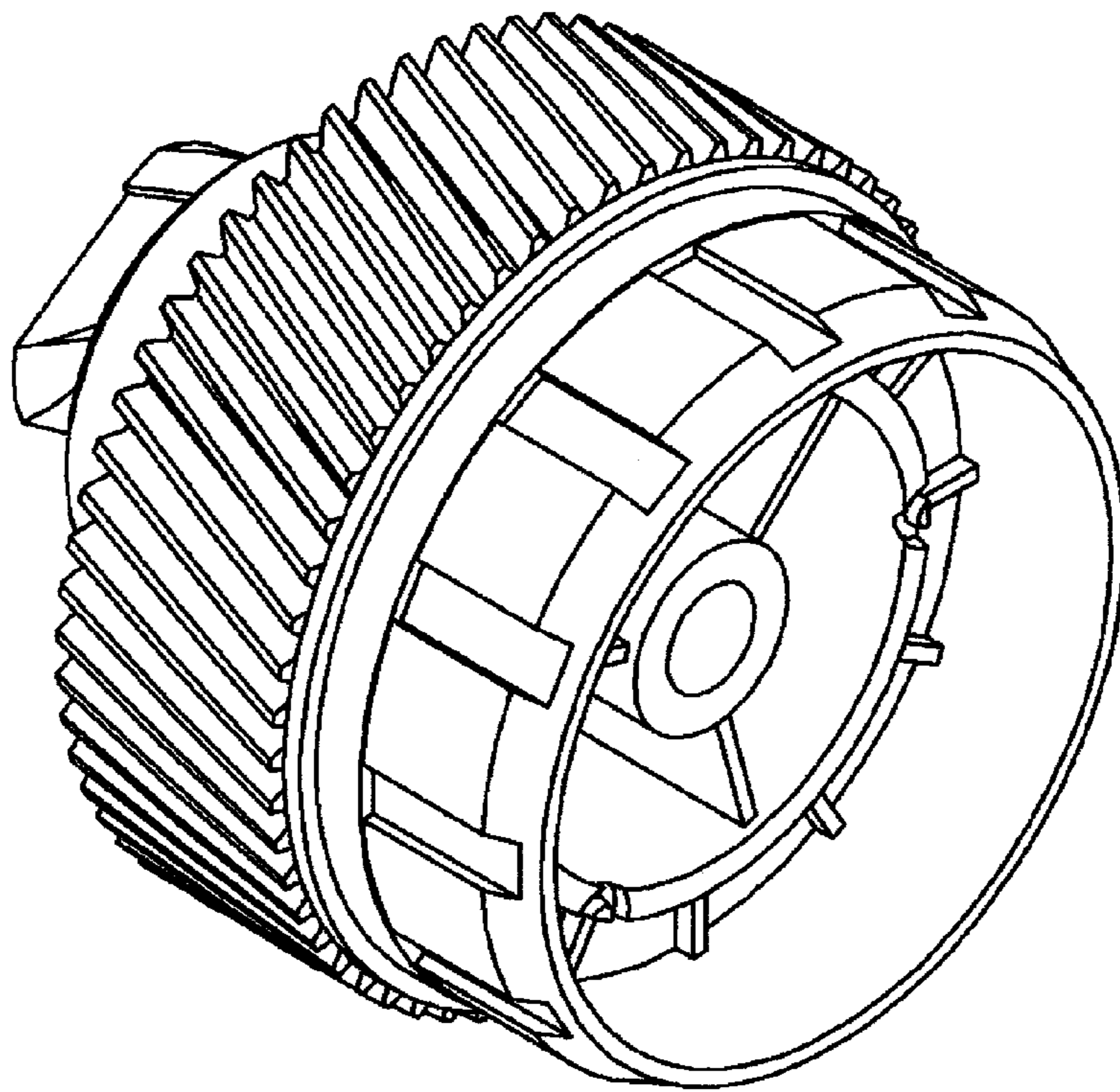


FIG. 13