



US00D667047S

(12) **United States Design Patent**
Oshikawa et al.

(10) **Patent No.:** **US D667,047 S**

(45) **Date of Patent:** **** Sep. 11, 2012**

(54) **POWDER CONTAINER**

(74) *Attorney, Agent, or Firm* — Dickstein Shapiro LLP

(75) Inventors: **Yuki Oshikawa**, Ayase (JP); **Hideo Yoshizawa**, Saitama (JP)

(57) **CLAIM**

The ornamental design for a powder container, as shown and described.

(73) Assignee: **Ricoh Company, Ltd.**, Tokyo (JP)

(**) Term: **14 Years**

DESCRIPTION

(21) Appl. No.: **29/398,651**

FIG. 1 is a front view of a powder container, showing the new design;

(22) Filed: **Aug. 3, 2011**

FIGS. 1A, 1B and 1C together, arranged from left to right, form an enlarged front view of the powder container;

(30) **Foreign Application Priority Data**

Apr. 14, 2011 (JP) 2011-008605

FIG. 2 is a rear view of the powder container;

(51) **LOC (9) Cl.** **16-03**

FIGS. 2A, 2B and 2C together, arranged from left to right, form an enlarged rear view of the powder container;

(52) **U.S. Cl.** **D18/43**

FIG. 3 is a right side view of the powder container;

(58) **Field of Classification Search** D14/471;
D18/12, 36, 40, 43, 44, 56; 222/DIG. 1;
347/197, 222; 399/24–28, 107–112, 119,
399/121, 122, 222–224

FIG. 4 is a left side view of the powder container;

FIG. 5 is a top view of the powder container;

See application file for complete search history.

FIGS. 5A, 5B and 5C together, arranged from left to right, form an enlarged top view of the powder container;

FIG. 6 is a bottom view of the powder container;

(56) **References Cited**

U.S. PATENT DOCUMENTS

D591,336 S *	4/2009	Kurenuma et al.	D18/43
D591,337 S *	4/2009	Yoshizawa	D18/43
D596,225 S *	7/2009	Kurenuma et al.	D18/43
D598,949 S *	8/2009	Kurenuma et al.	D18/43
D602,519 S *	10/2009	Kurenuma et al.	D18/43
D602,984 S *	10/2009	Yoshizawa	D18/43
D602,985 S	10/2009	Yoshizawa	D18/43
D606,583 S *	12/2009	Kurenuma et al.	D18/43
D622,759 S	8/2010	Yoshida et al.	D18/43
D636,436 S *	4/2011	Takami	D18/43
D636,813 S *	4/2011	Kikuchi et al.	D18/43
8,050,597 B2 *	11/2011	Yoshizawa et al.	399/262
D653,702 S *	2/2012	Amberg et al.	D18/43
2011/0243579 A1	10/2011	Oshikawa et al.	

* cited by examiner

FIGS. 6A, 6B and 6C together, arranged from left to right, form an enlarged bottom view of the powder container;

FIG. 7 is a rear, left side, and bottom perspective view of the powder container, showing only the left end portion thereof; and,

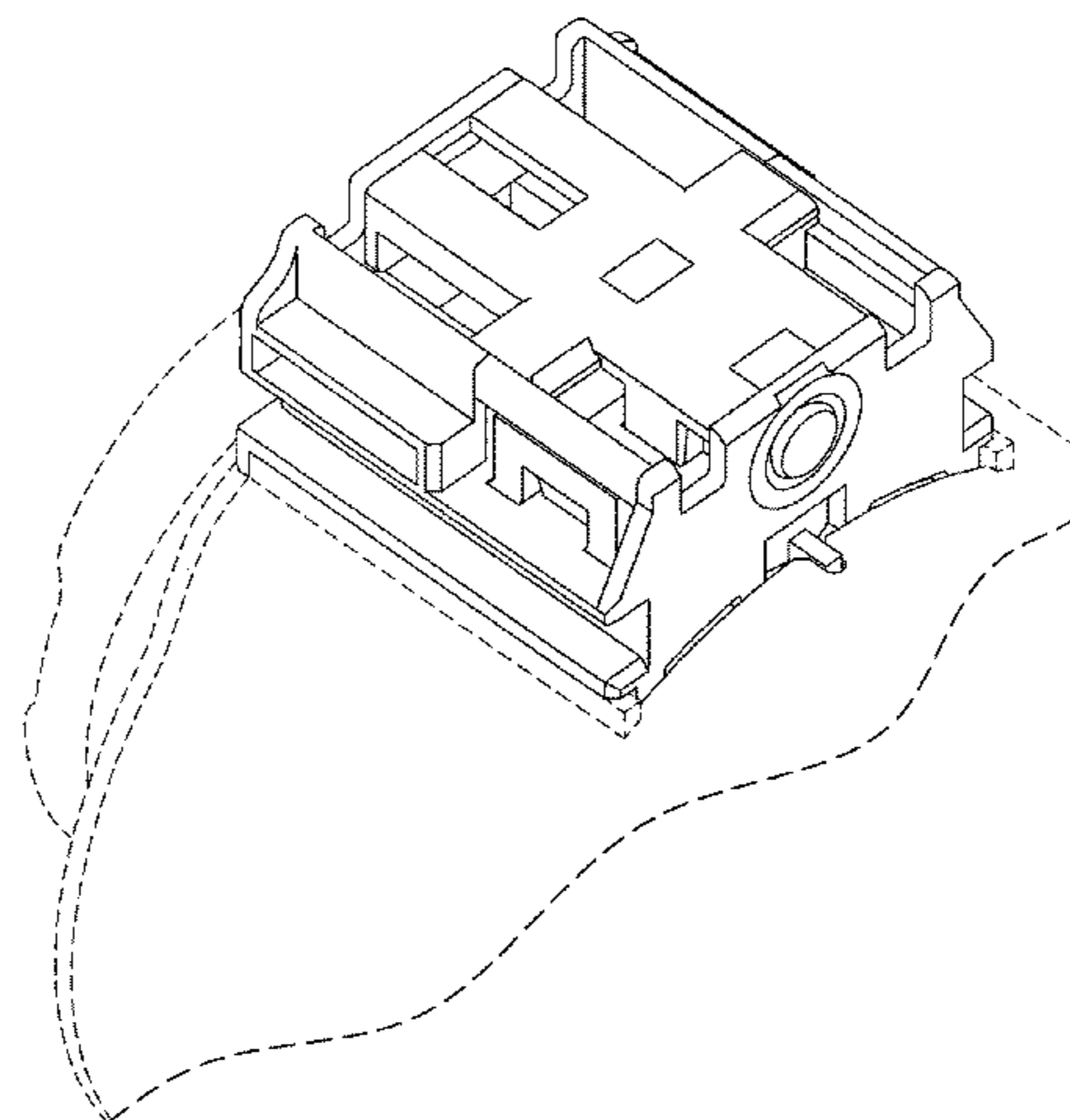
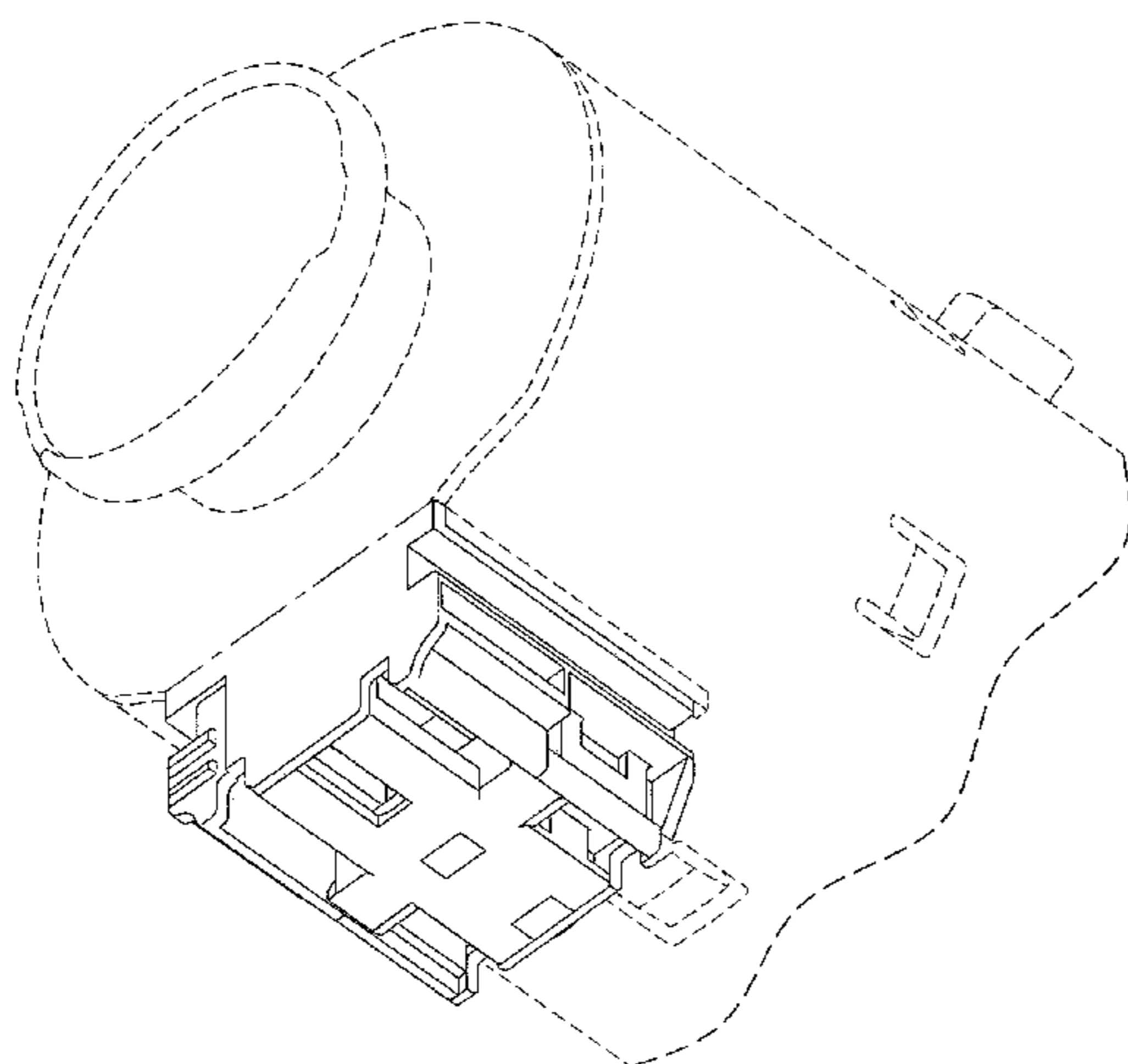
FIG. 8 is a front, right side, and bottom perspective view of the powder container, showing only the left end portion thereof.

The powder container shown in the drawings and described herein is configured to store powder, such as toner or carrier, for forming an image in an image forming apparatus, such as a copying machine or a printer. The powder container is arranged to be positioned with the image forming apparatus, and is configured to discharge the powder through a shutter portion according to a shortage of the powder.

The broken line showing of portions of the powder container is for the purpose of illustrating environmental structure and forms no part of the claimed design.

Primary Examiner — Garth Rademaker

1 Claim, 19 Drawing Sheets



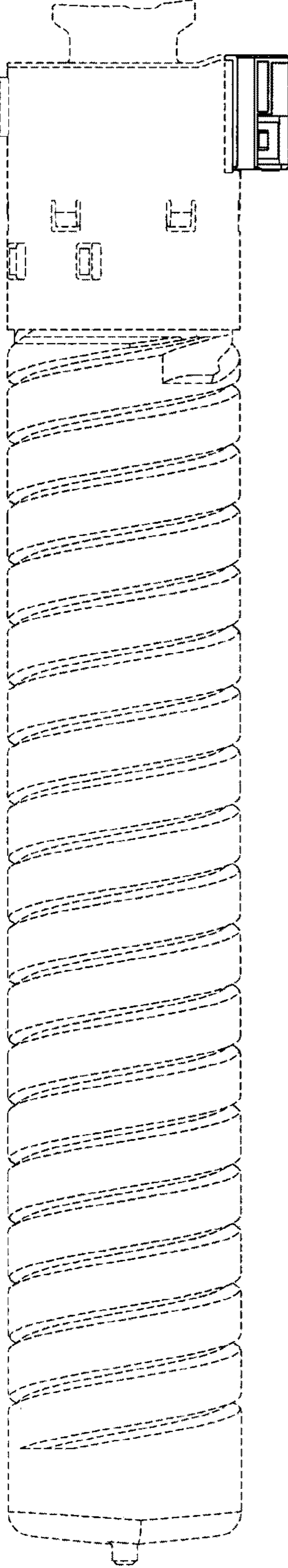


FIG. 1

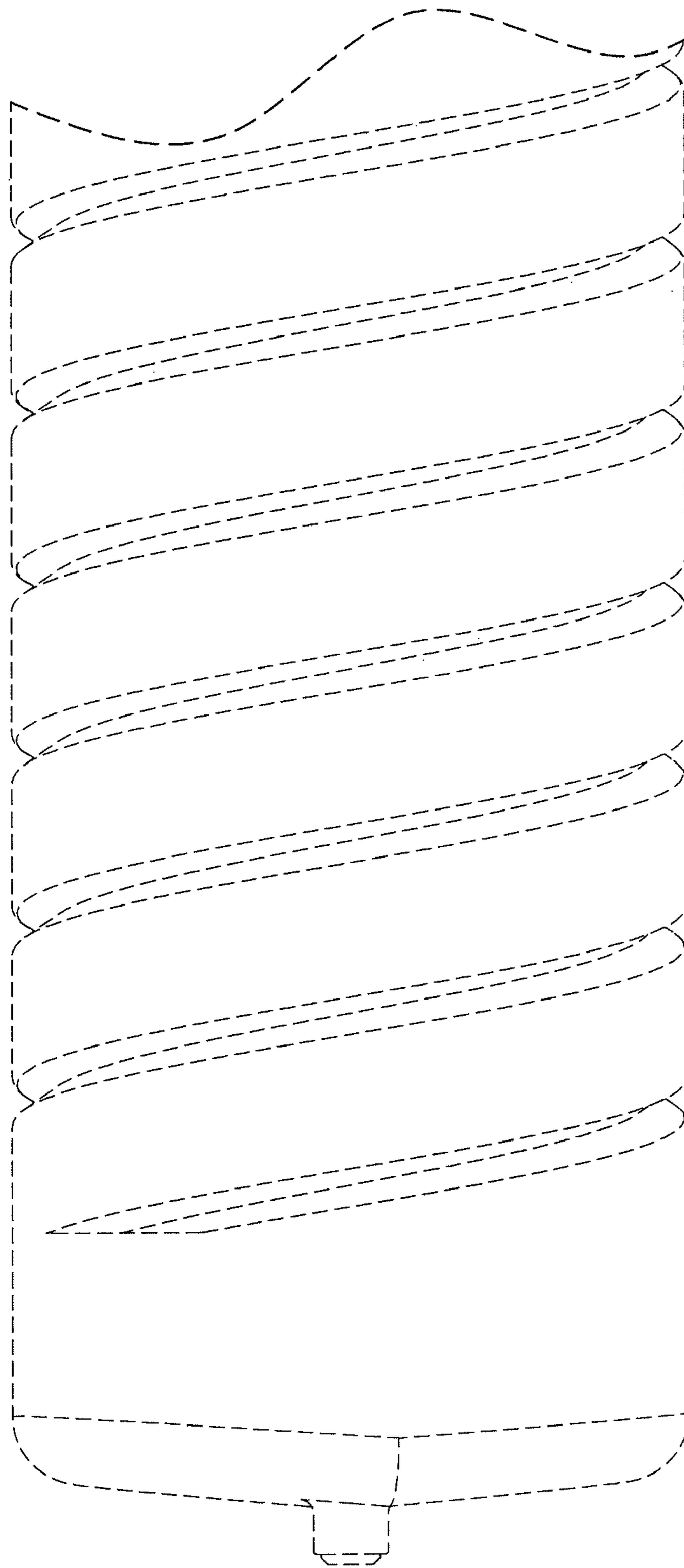


FIG. 1A

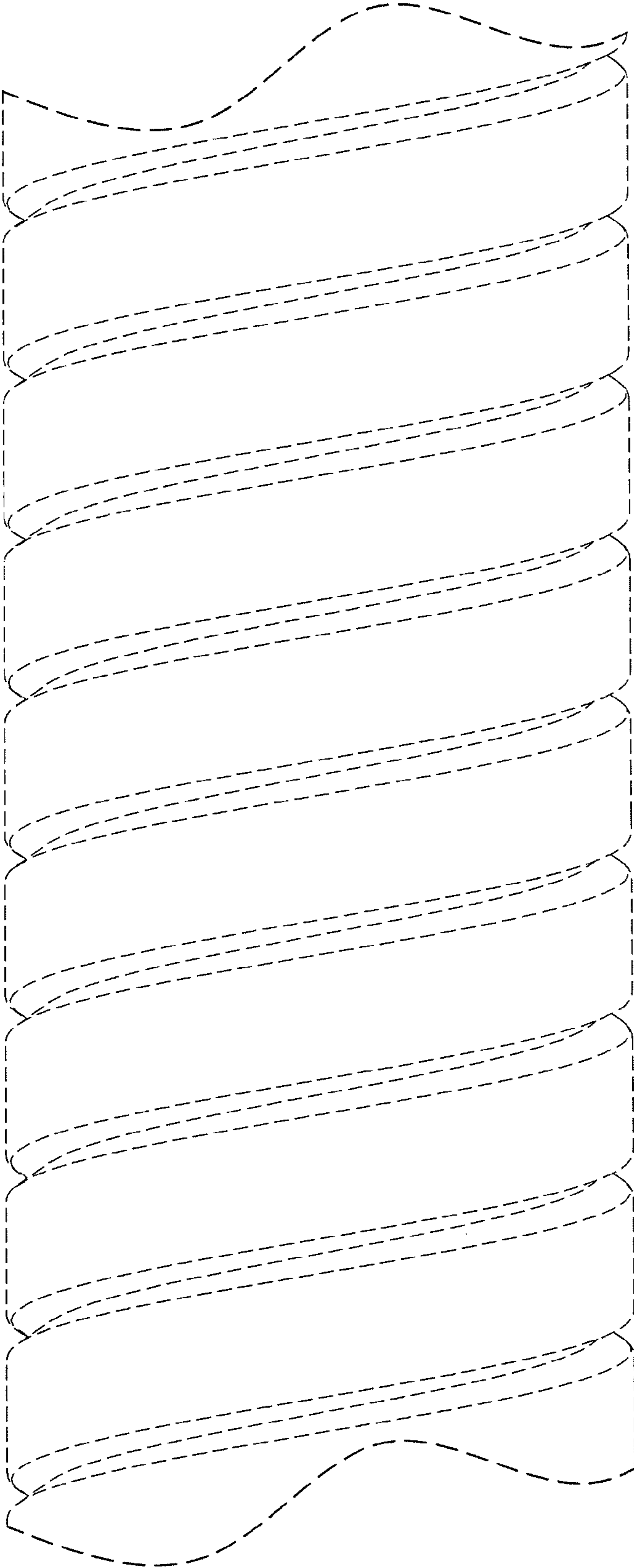


FIG. 1B

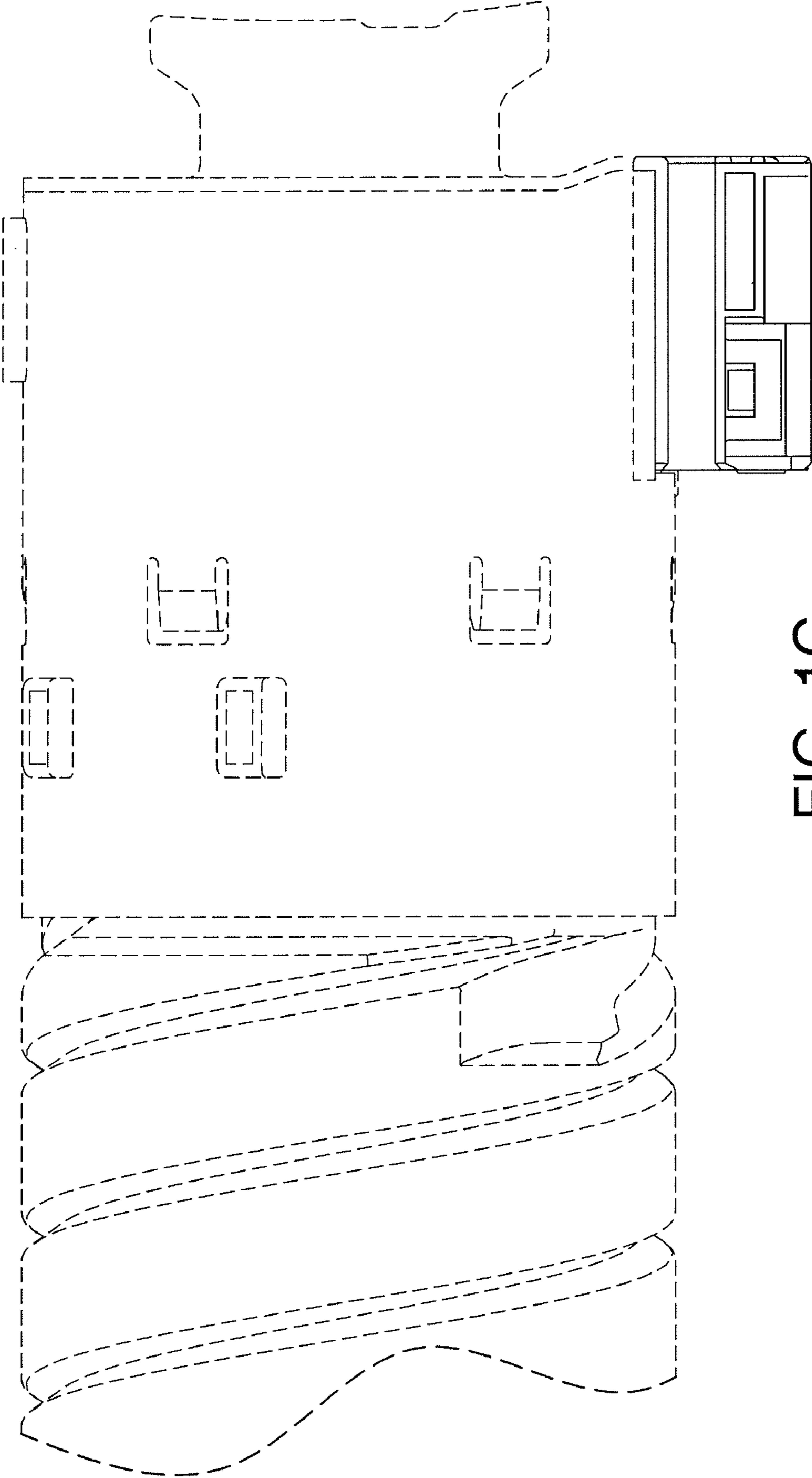


FIG. 1C

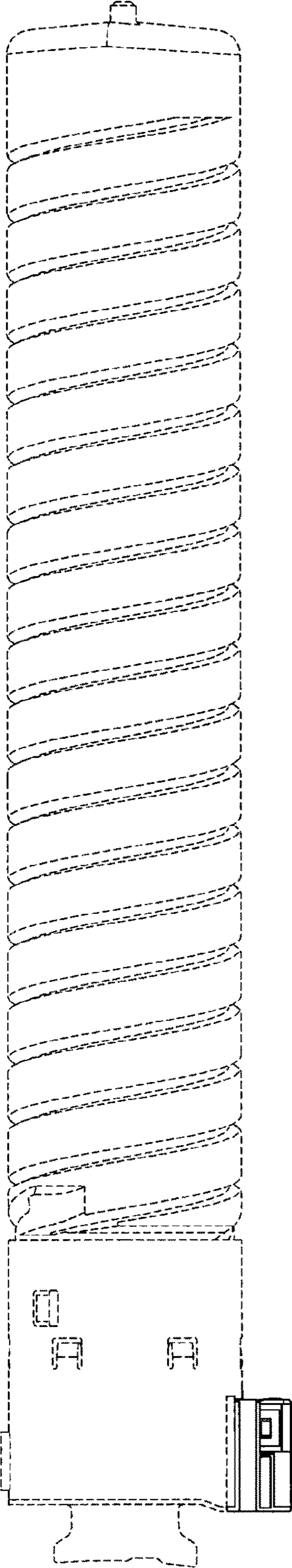
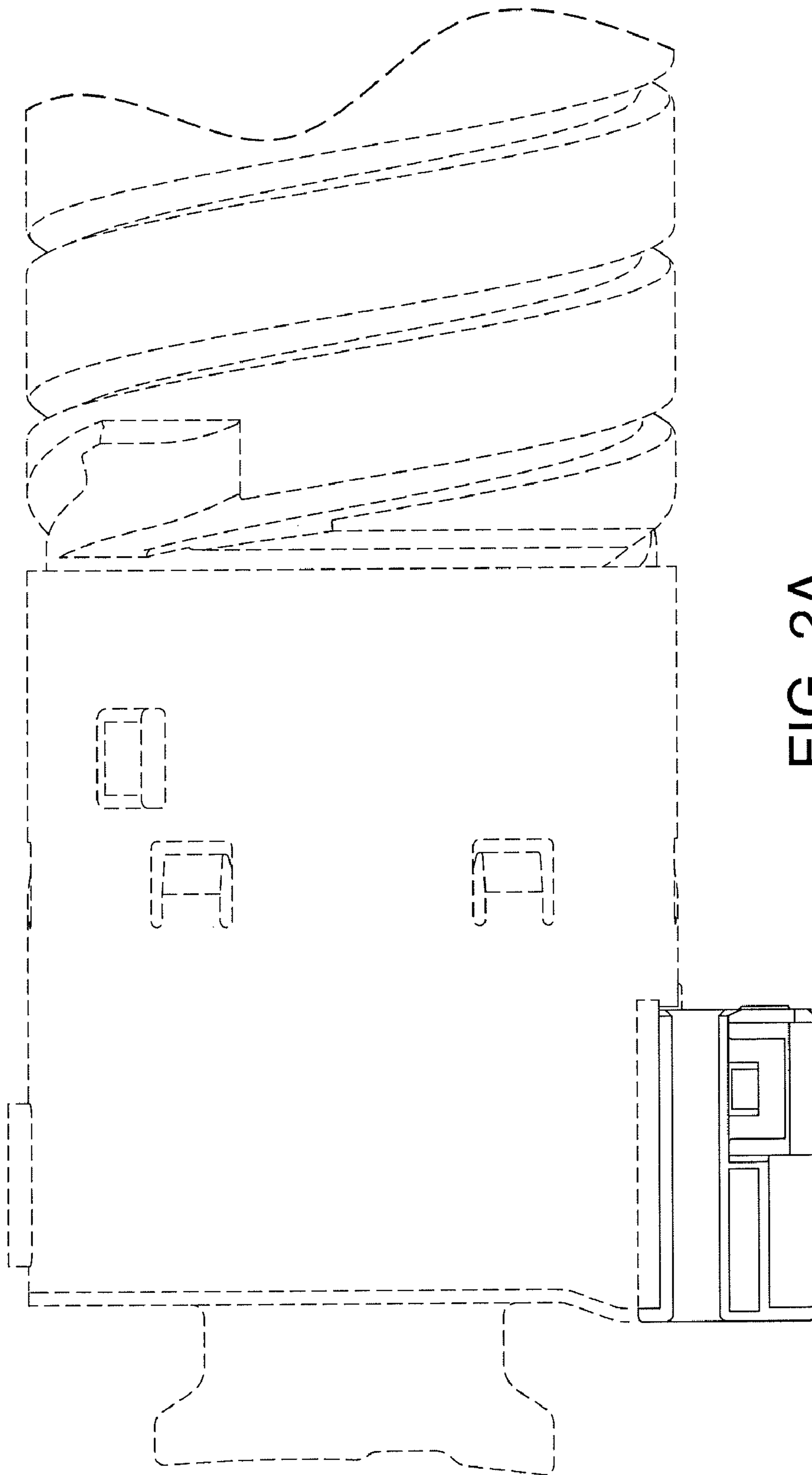


FIG. 2



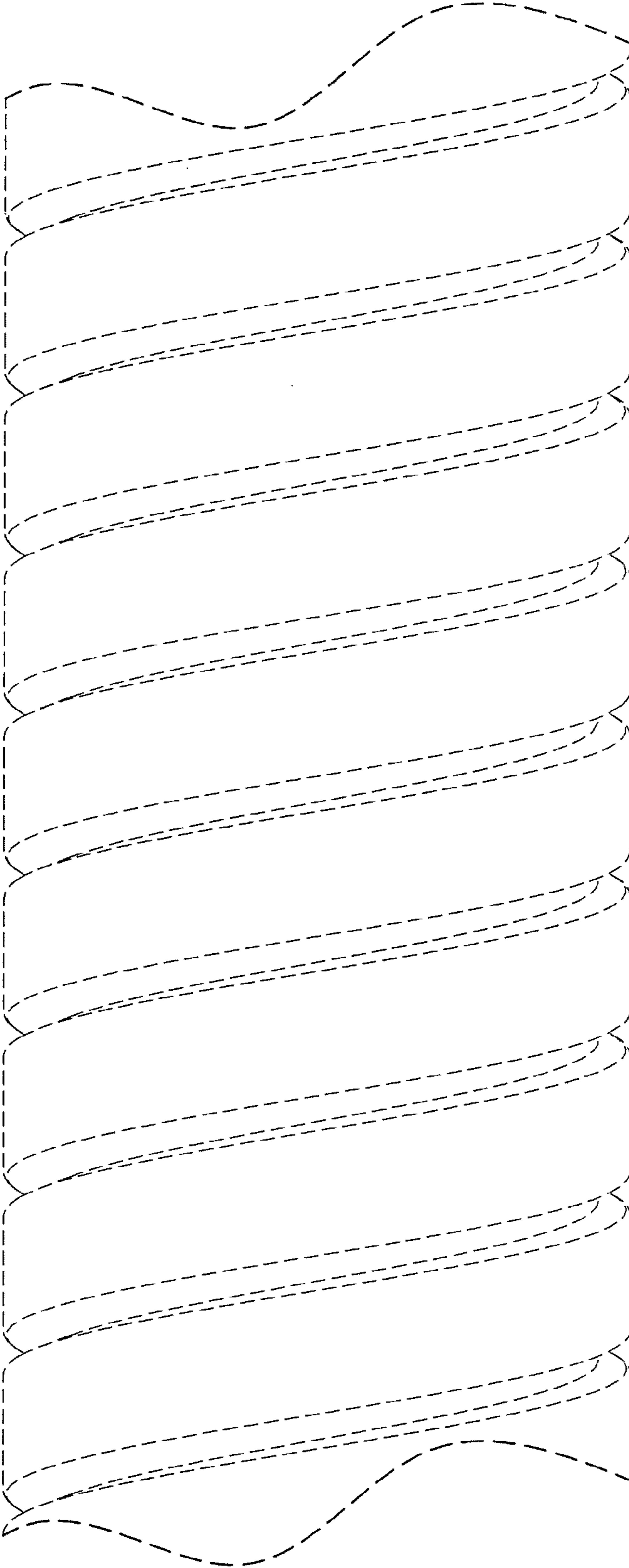


FIG. 2B

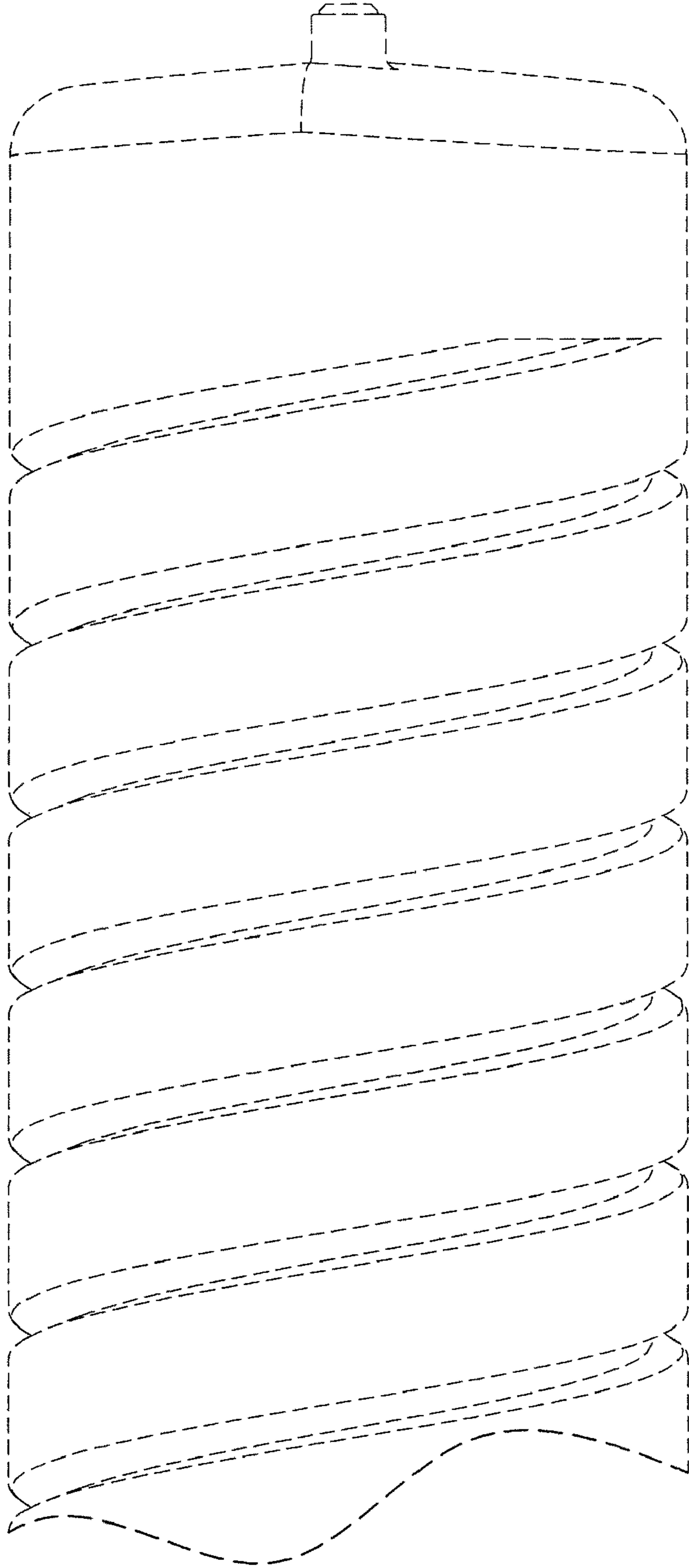


FIG. 2C

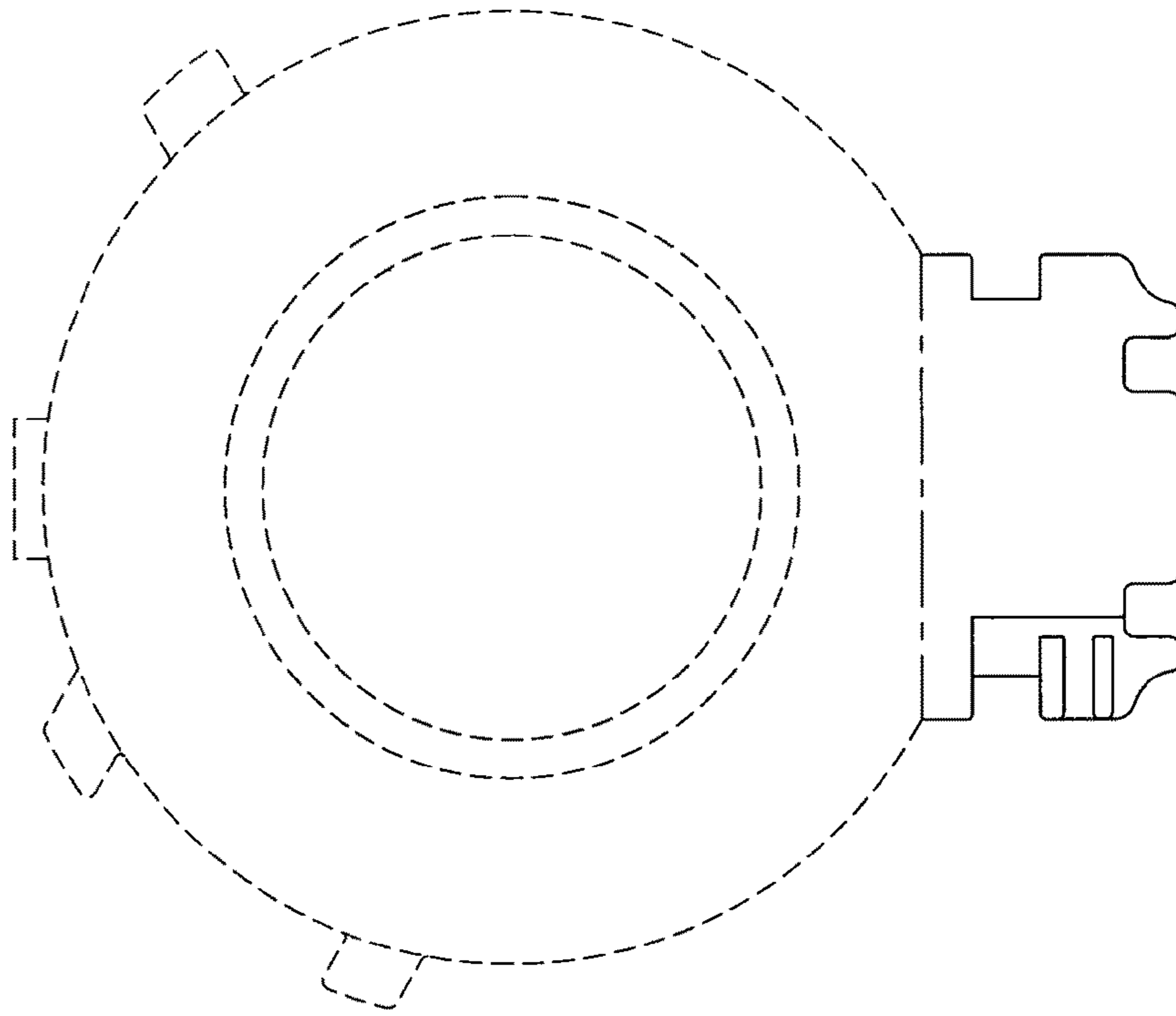


FIG. 4

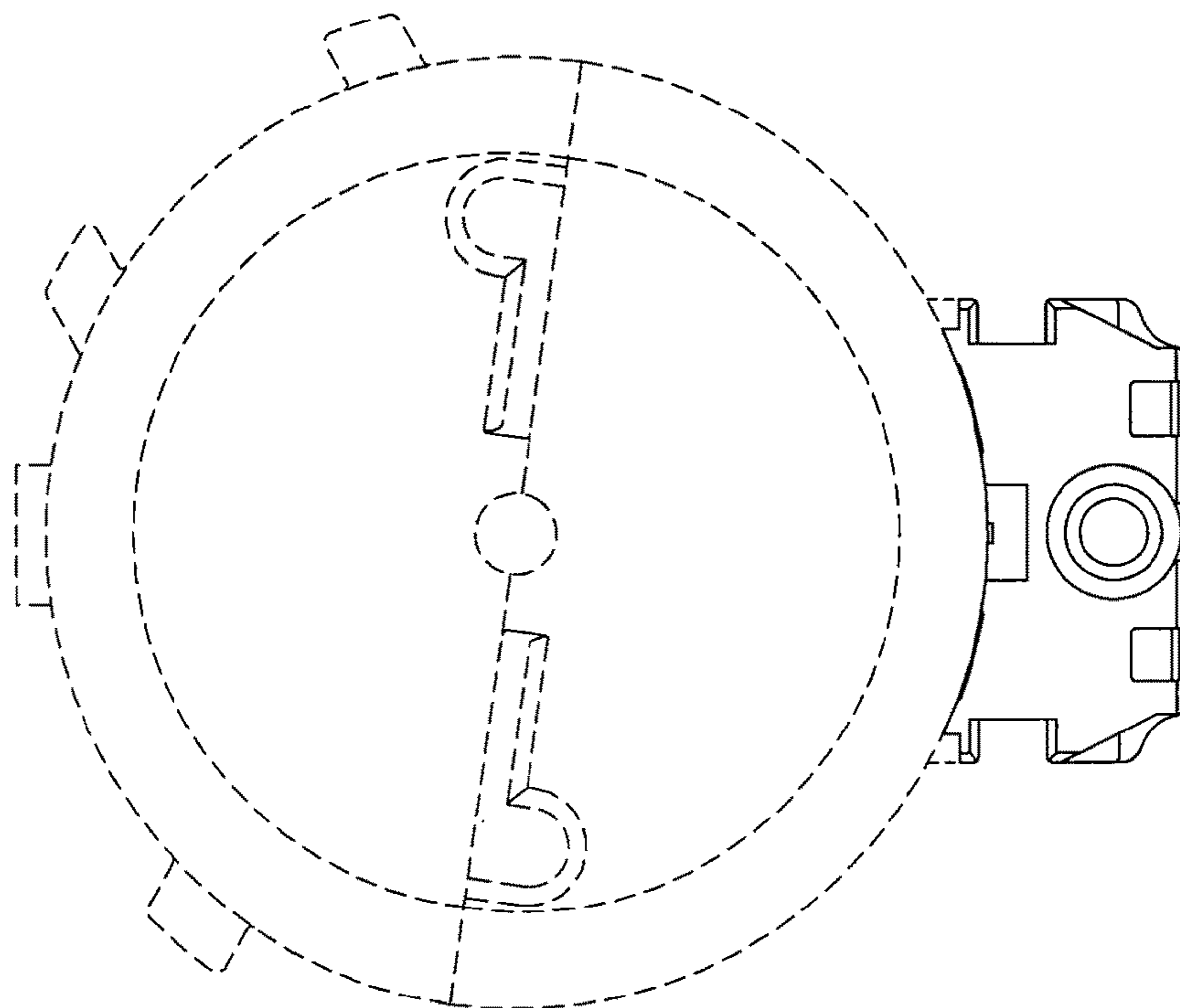


FIG. 3

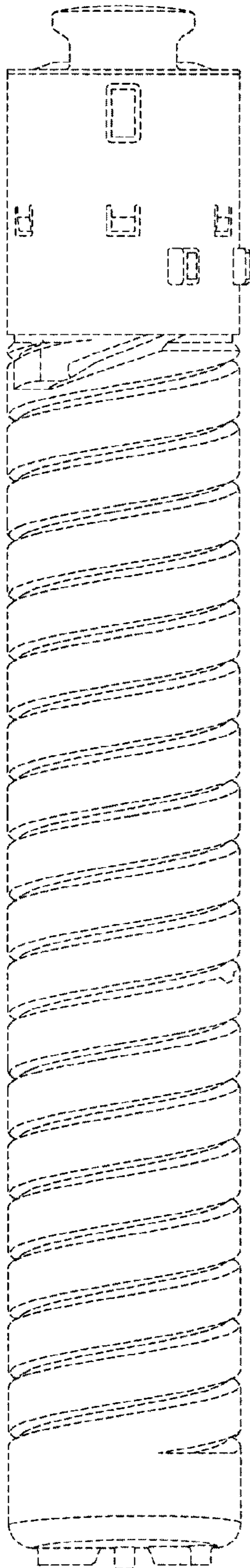


FIG. 5

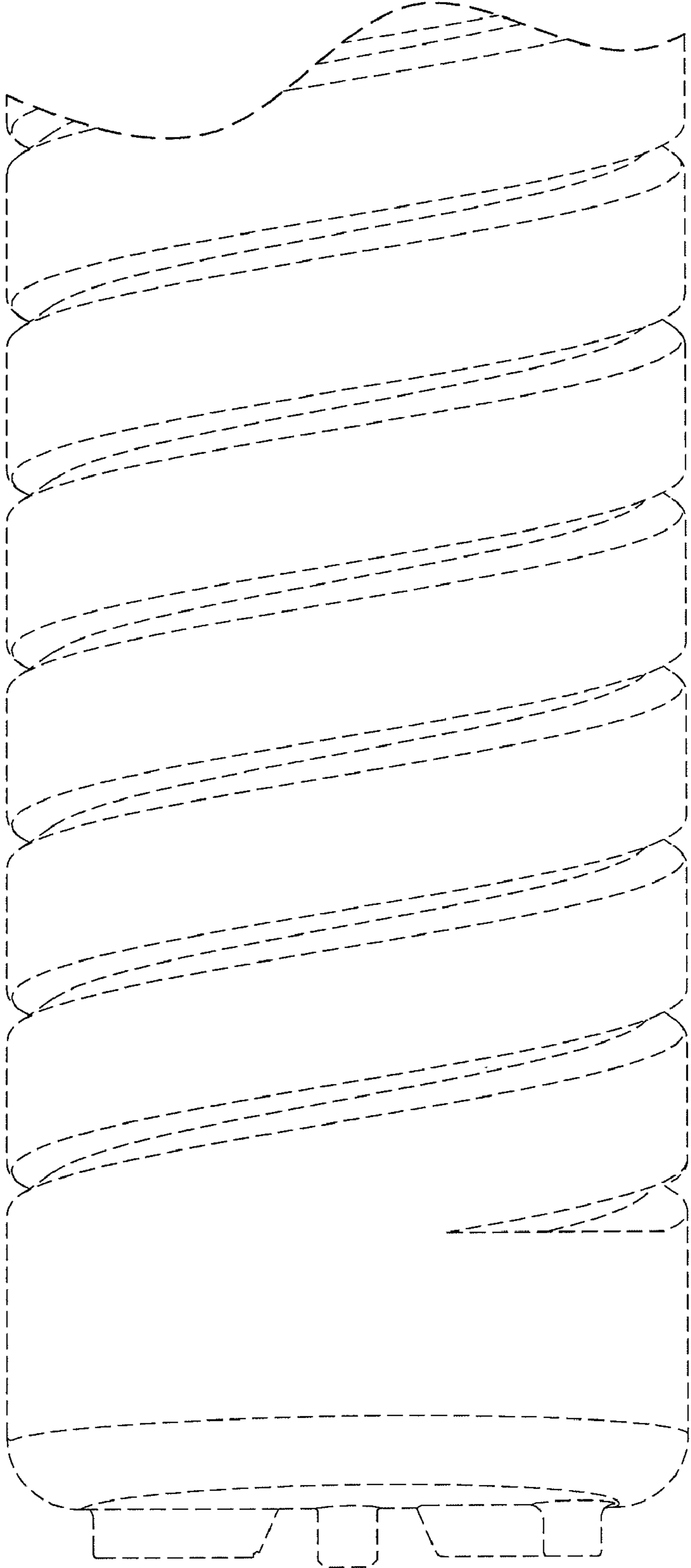


FIG. 5A

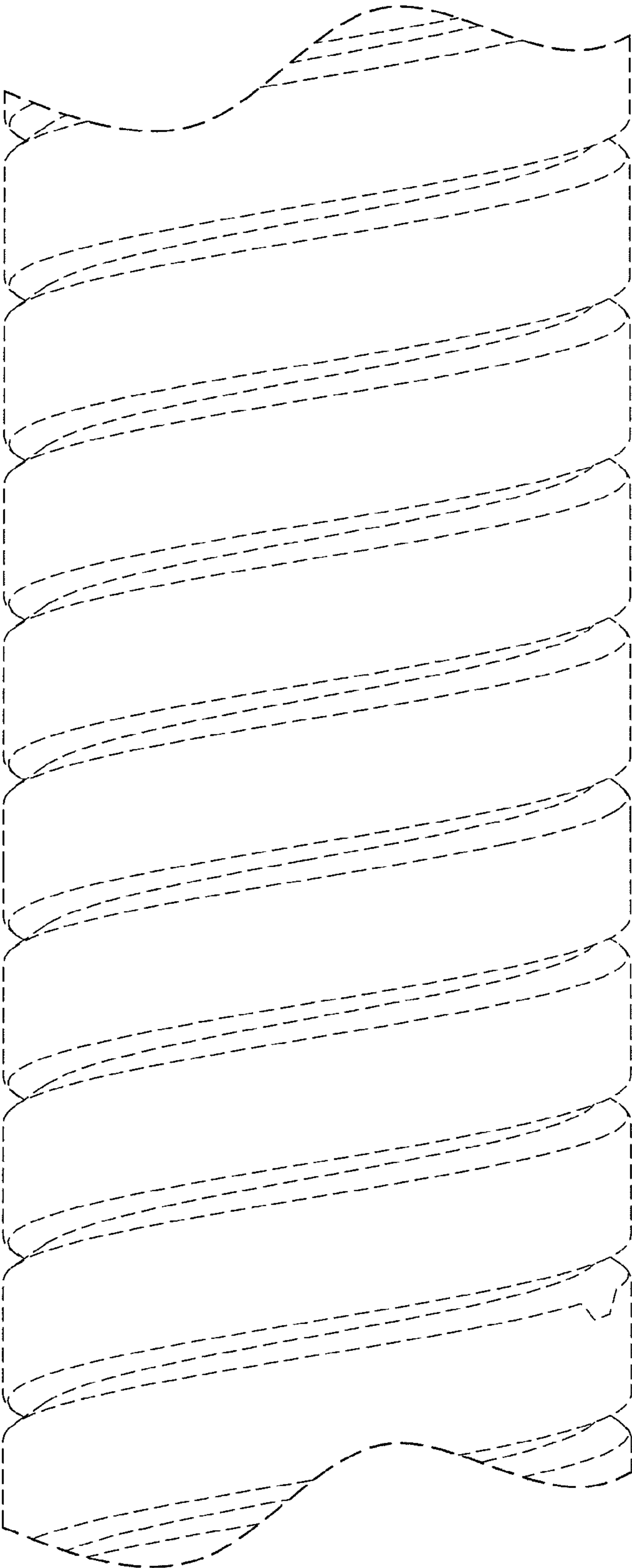


FIG. 5B

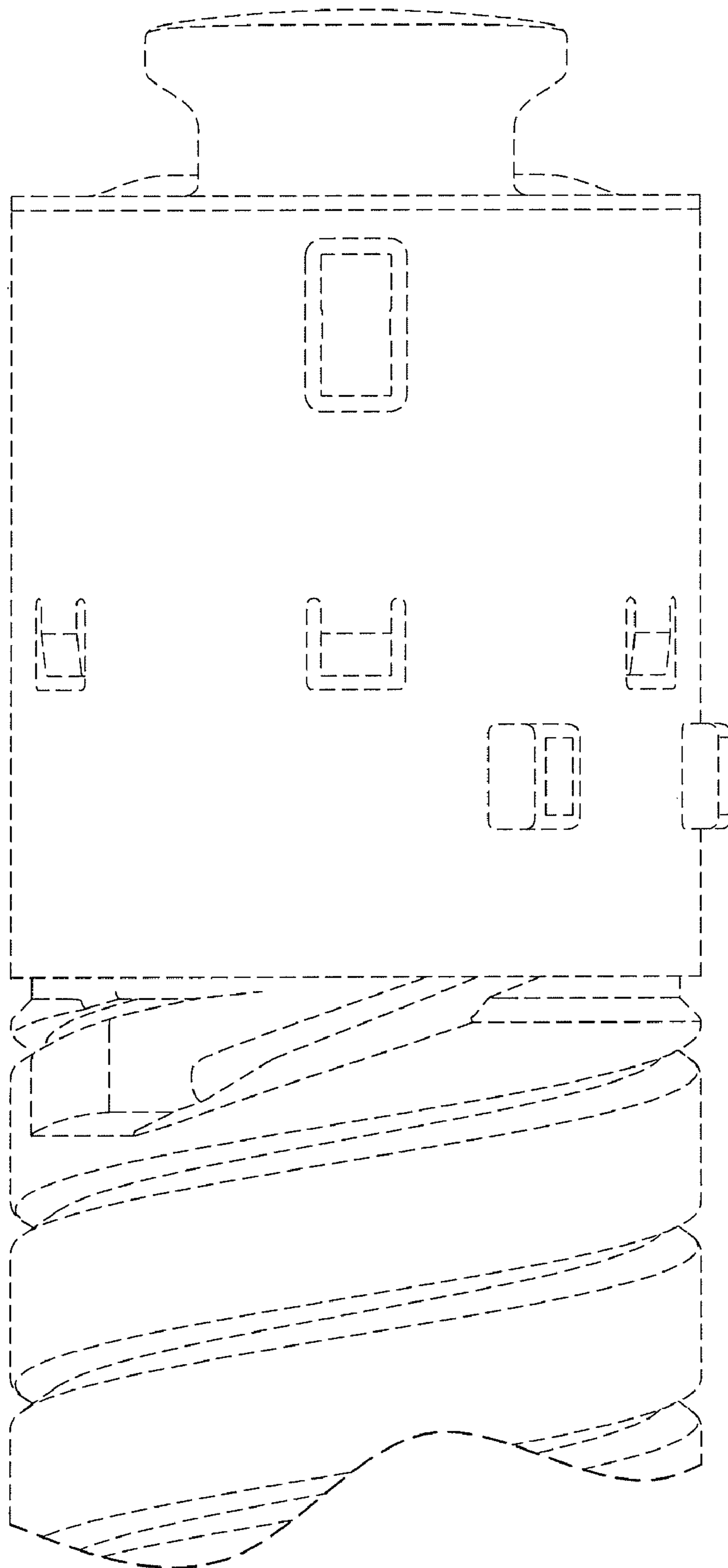


FIG. 5C

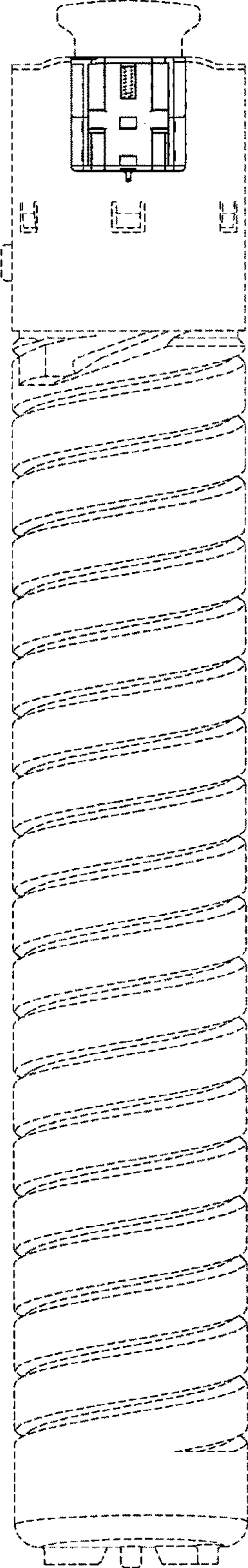


FIG. 6

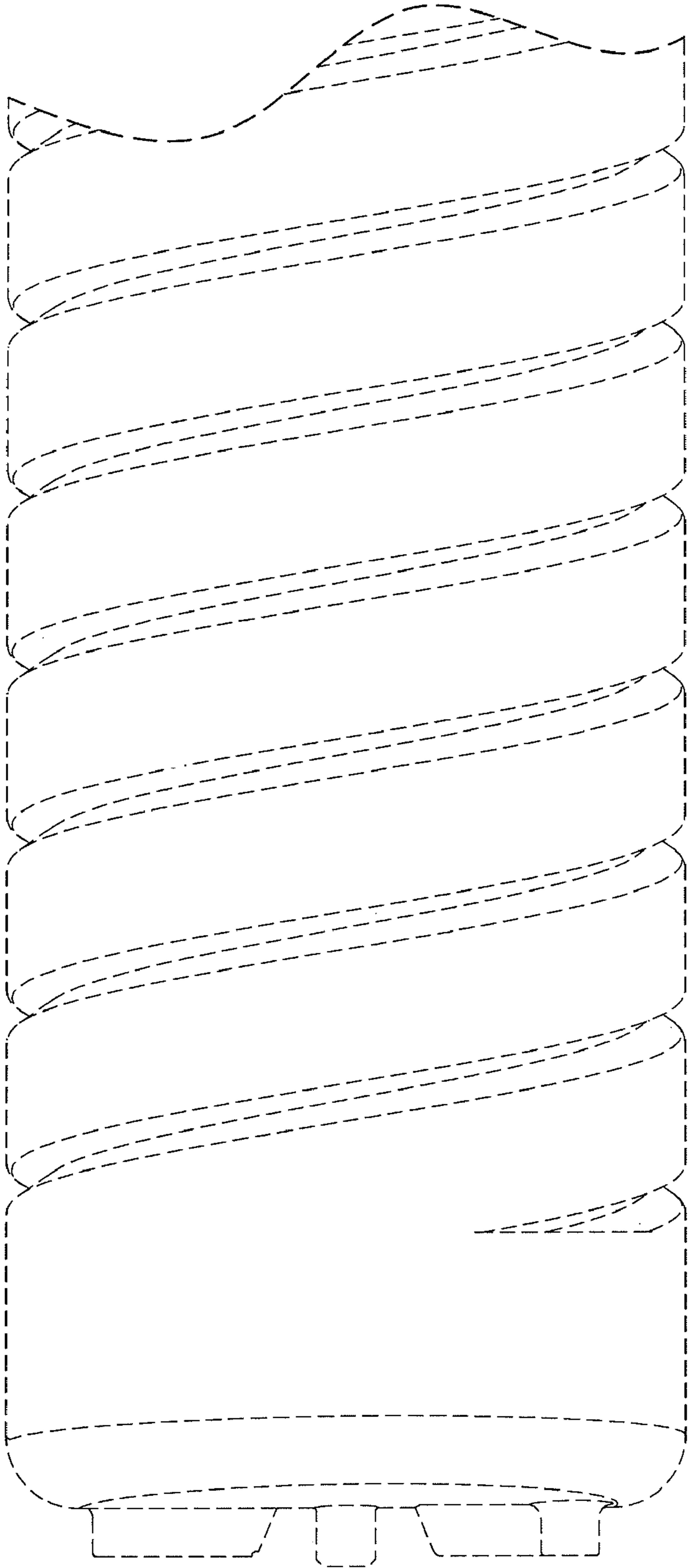


FIG. 6A

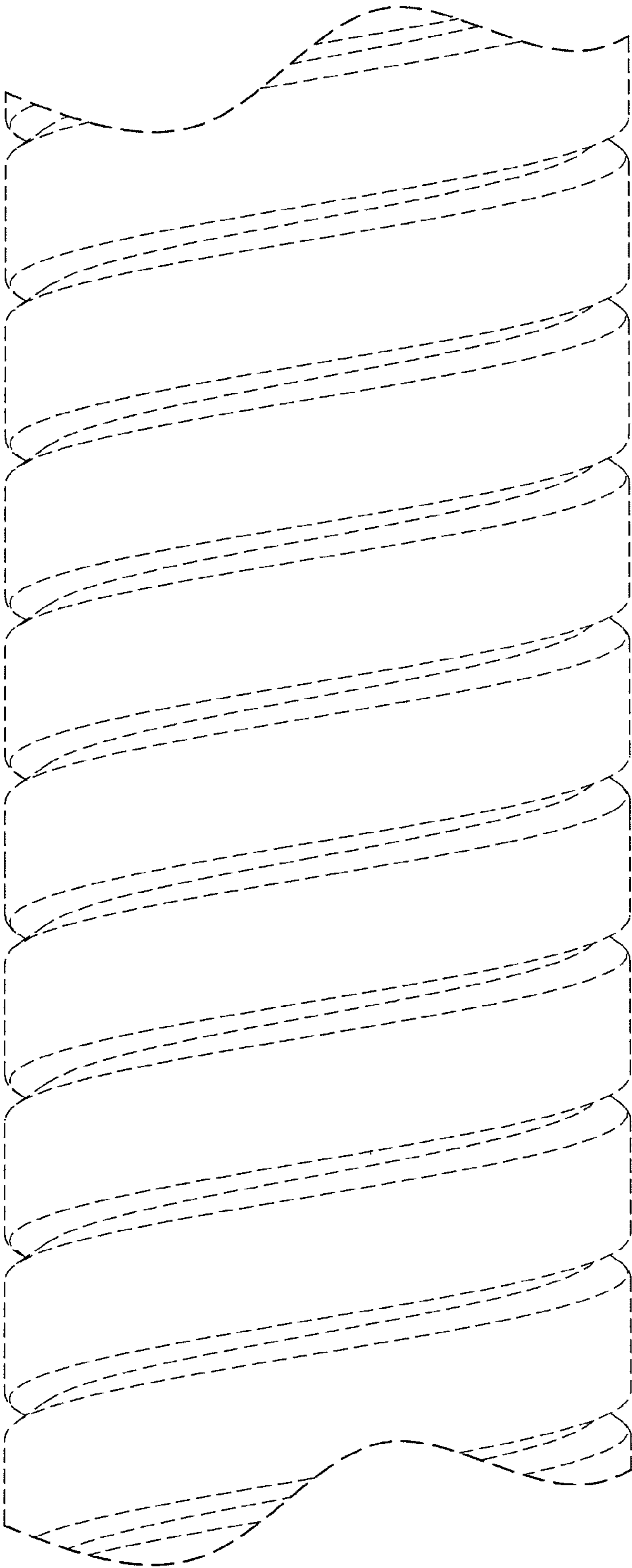


FIG. 6B

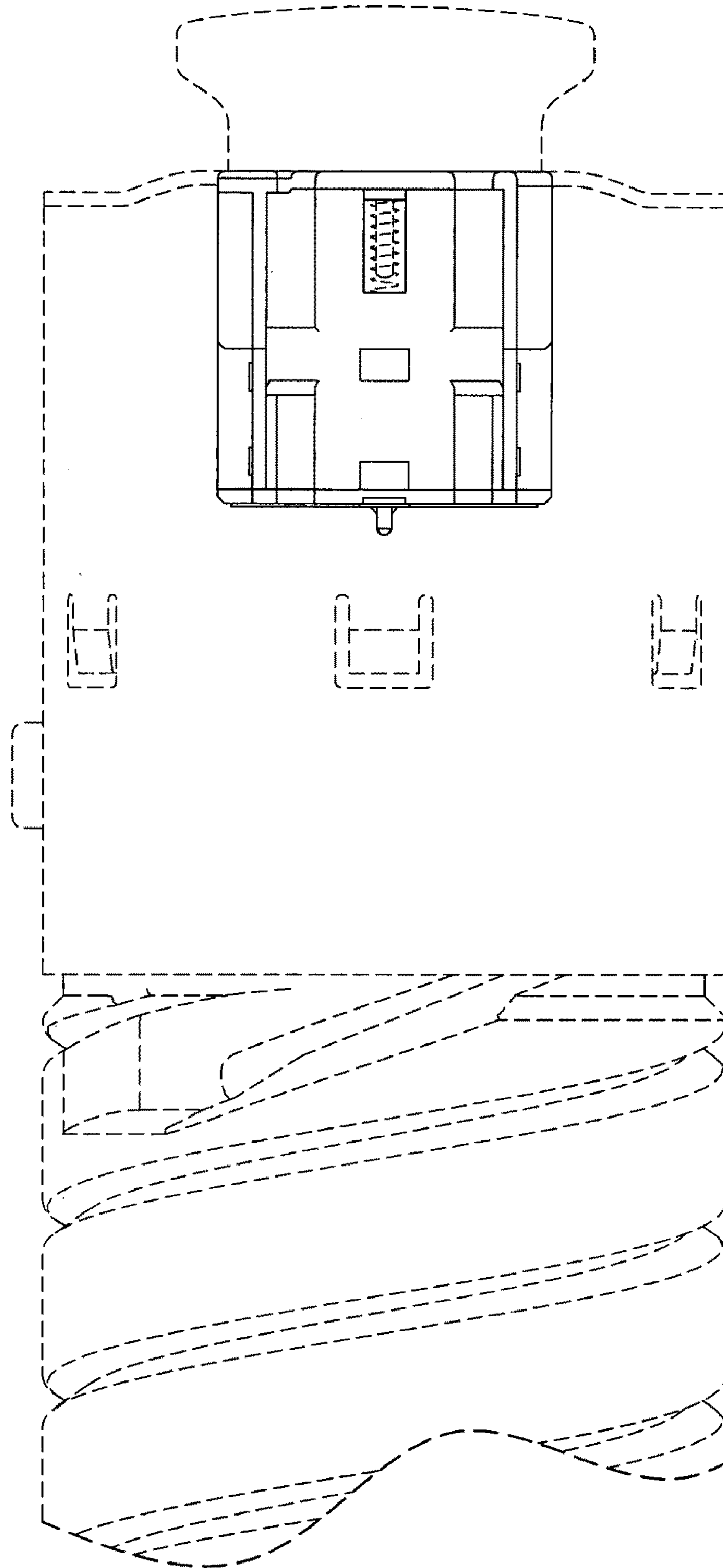


FIG. 6C

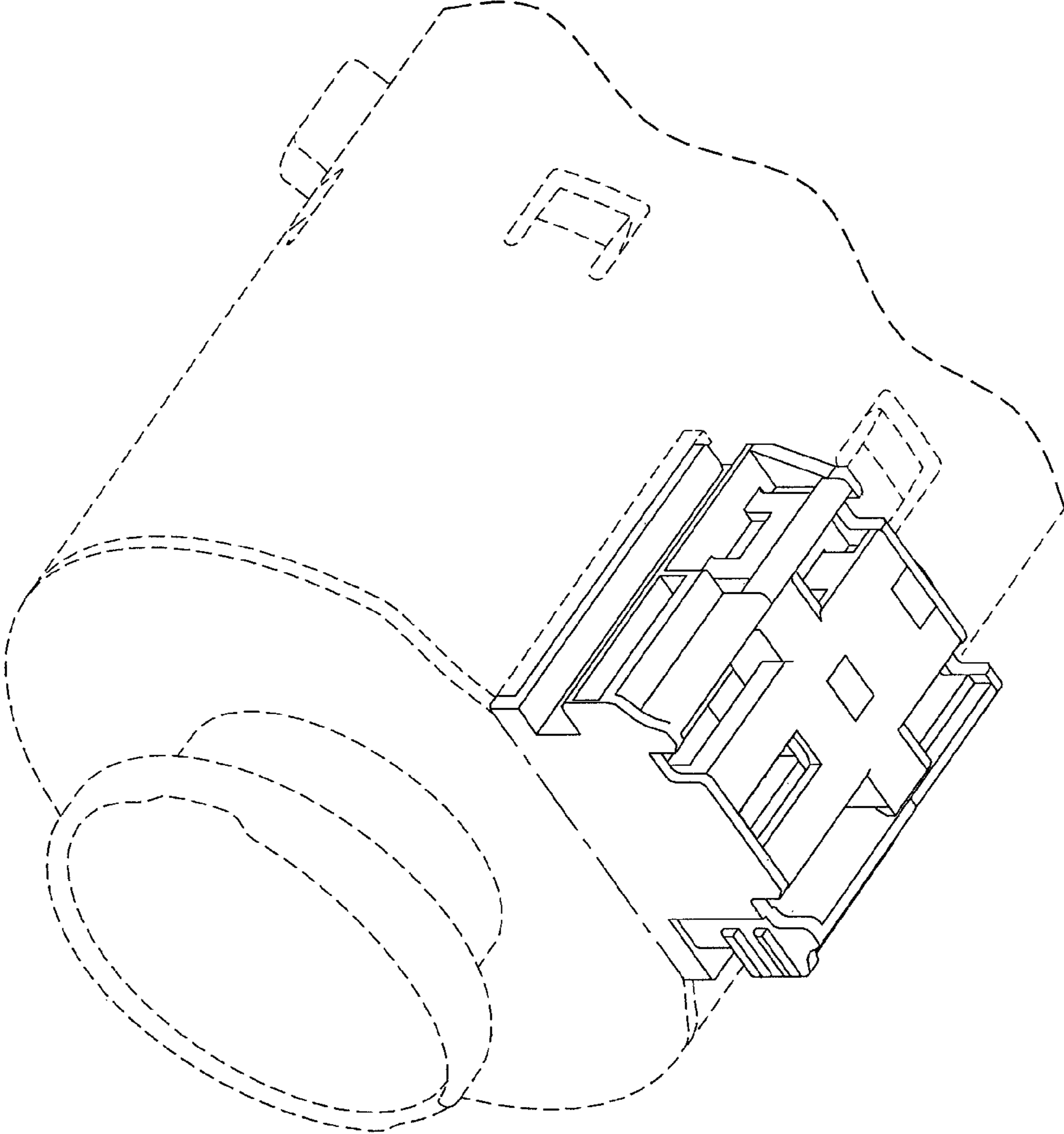


FIG. 7

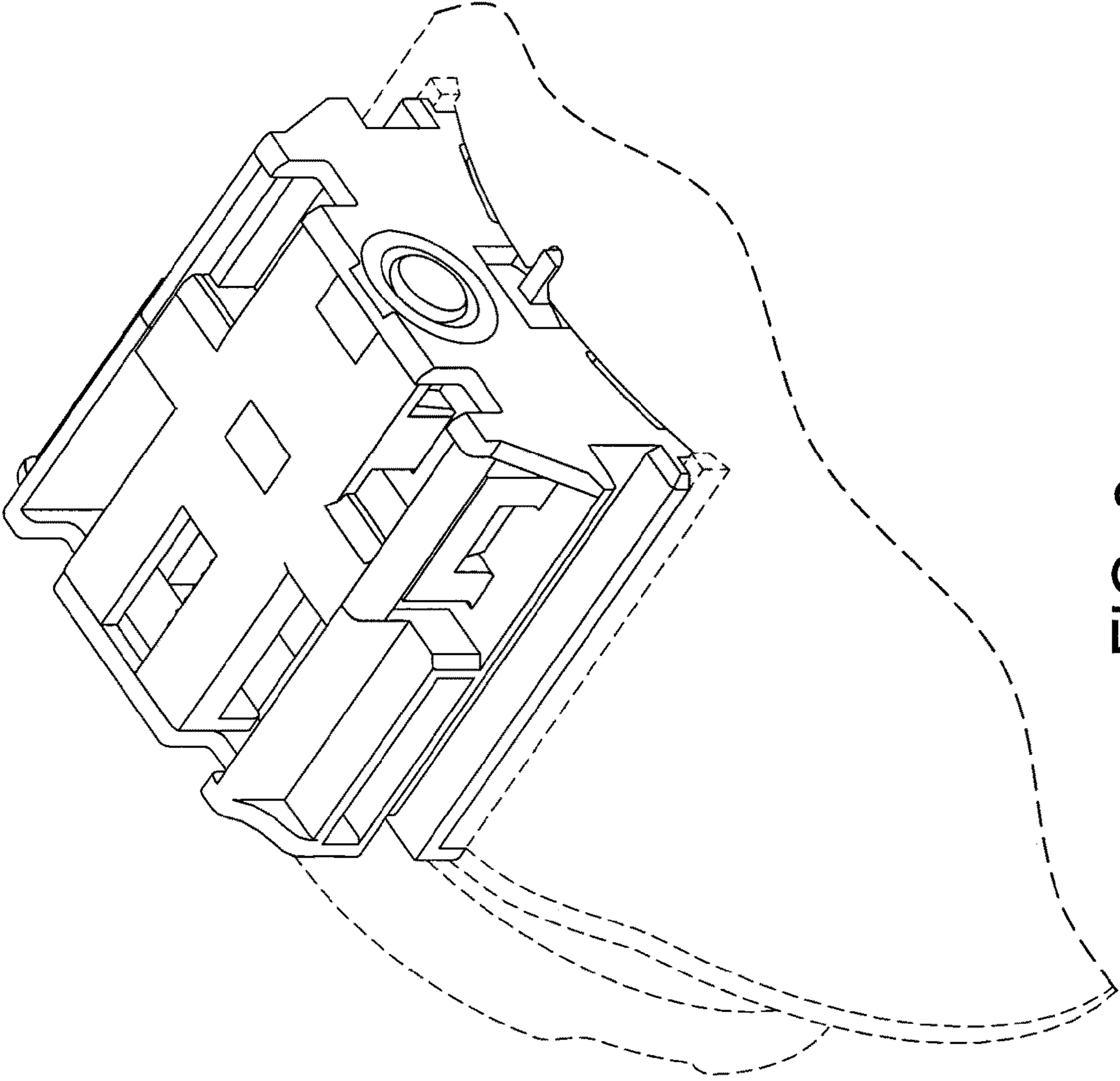


FIG. 8