



US00D667043S

(12) **United States Design Patent**
Couch, III

(10) **Patent No.:** **US D667,043 S**

(45) **Date of Patent:** **** Sep. 11, 2012**

(54) **EXTENDABLE STRAP**

2002/0078536 A1 6/2002 Martin et al.
2003/0167605 A1* 9/2003 Schultz 24/306
2004/0088835 A1 5/2004 Tachauer et al.

(76) **Inventor:** **Quest C. Couch, III**, New Braunfels,
TX (US)

OTHER PUBLICATIONS

<http://www.honlphoto.com/servlet/the-8/strobist-speedlight-strobe-flash/Detail>, Website Accessed Dec. 8, 2010 (2 pages).

(**) **Term:** **14 Years**

(Continued)

(21) **Appl. No.:** **29/375,183**

Primary Examiner — Cynthia Underwood

(74) *Attorney, Agent, or Firm* — Cox Smith Matthews Incorporated

(22) **Filed:** **Sep. 17, 2010**

(51) **LOC (9) Cl.** **16-05**

(52) **U.S. Cl.** **D16/237; D26/118**

(58) **Field of Classification Search** 428/100;
326/320, 343, 382, 389, 7, 16, 17, 18; D26/118,
D26/119; D3/263, 267; D16/237, 239, 240

See application file for complete search history.

(57) **CLAIM**

The ornamental design for a extendable strap, as shown and described.

DESCRIPTION

(56) **References Cited**

U.S. PATENT DOCUMENTS

2,461,201	A	2/1949	Ellis	
3,869,764	A	3/1975	Umezu	
4,198,734	A	4/1980	Brumlik	
4,887,339	A	12/1989	Bellanger	
4,939,818	A *	7/1990	Hahn	24/16 R
5,168,603	A *	12/1992	Reed	24/16 R
5,311,409	A	5/1994	King	
5,403,413	A *	4/1995	Masuda	156/66
5,595,014	A *	1/1997	Moore	43/25
5,778,264	A	7/1998	Kean	
6,010,234	A *	1/2000	Rahn	362/320
6,035,498	A	3/2000	Buzzell et al.	
6,205,623	B1 *	3/2001	Shepard et al.	24/30.5 R
6,489,003	B1	12/2002	Levitt et al.	
6,835,182	B2 *	12/2004	Darcey	602/20
D500,671	S *	1/2005	Mills et al.	D8/396
6,899,841	B2	5/2005	Buzzell et al.	
7,052,565	B2 *	5/2006	Seth	156/66
7,096,544	B2 *	8/2006	Lusardi	24/306
7,132,144	B2 *	11/2006	Roberts	428/40.2
7,141,283	B2	11/2006	Janzen et al.	
7,722,201	B2	5/2010	Manger	
D640,723	S *	6/2011	Couch, III	D16/237

FIG. 1 is a top perspective view of a extendable strap in an undeflected position;

FIG. 2 is a front view of the extendable strap of FIG. 1;

FIG. 3 is a bottom plan view of the extendable strap of FIG. 1;

FIG. 4 is a back view of the extendable strap of FIG. 1;

FIG. 5 is a top plan view of the extendable strap of FIG. 1;

FIG. 6 is a right side view of the extendable strap of FIG. 1;

FIG. 7 is a left side view of the extendable strap of FIG. 1;

FIG. 8 is a bottom perspective view of the extendable strap of FIG. 1;

FIG. 9 is a top perspective view of the extendable strap of FIG. 1 in a deflected position;

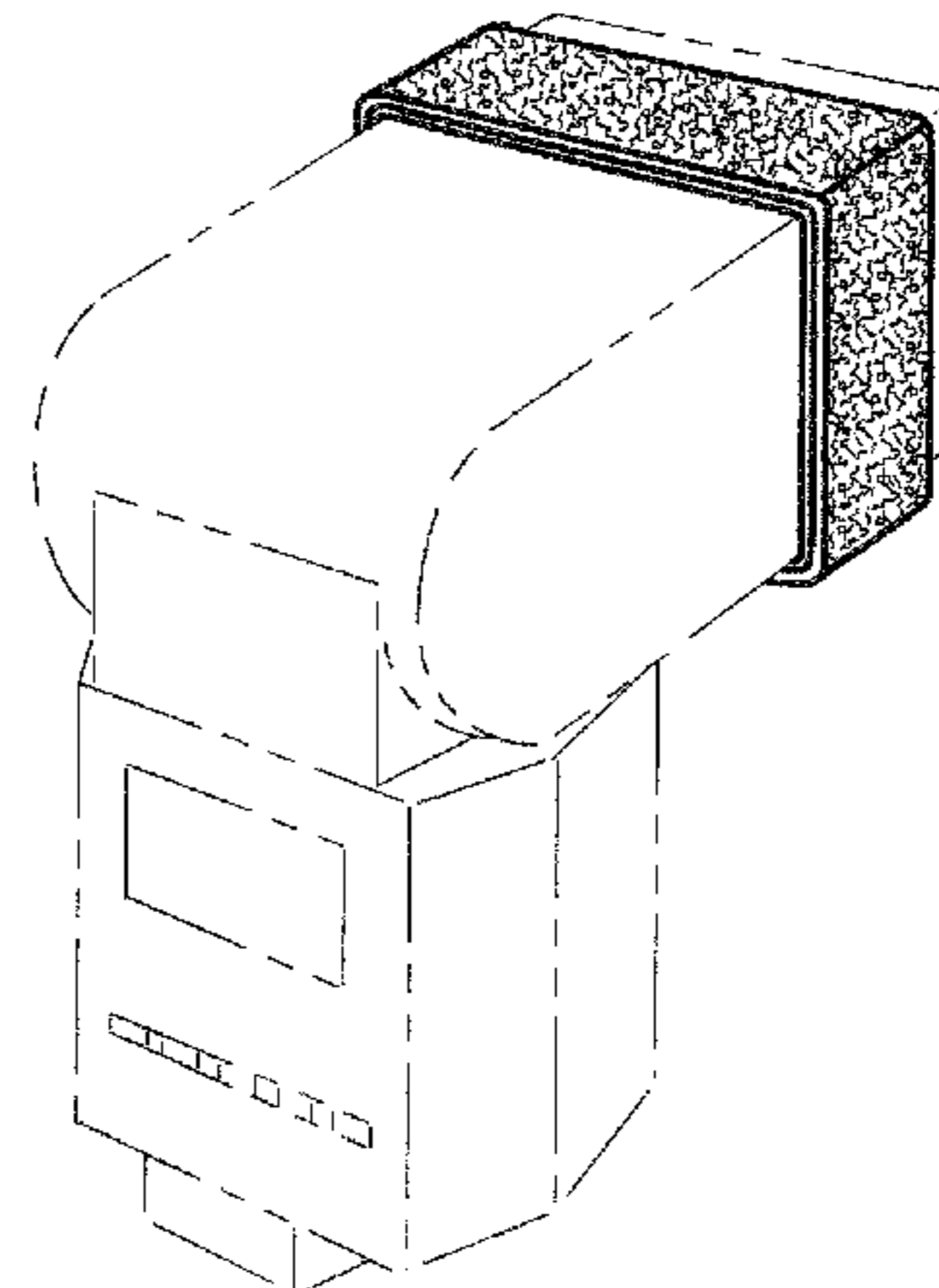
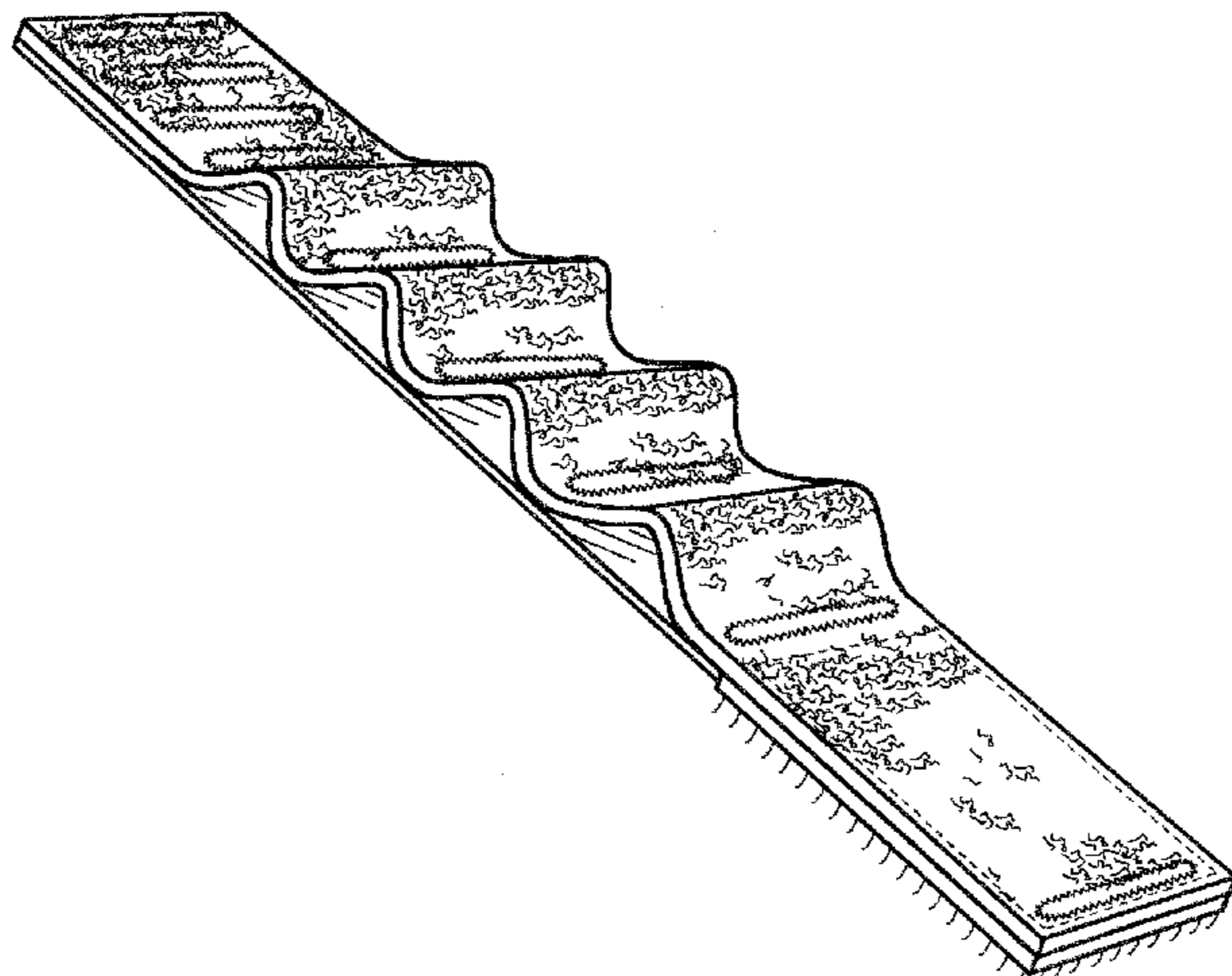
FIG. 10 is a back view of the extendable strap of FIG. 9;

FIG. 11 is a perspective view of the extendable strap of FIG. 9 installed on a photographic flash unit; and,

FIG. 12 is a perspective view of the extendable strap of FIG. 9 installed on a photographic flash unit with an accessory secured to the strap.

The broken lines showing environment are for illustrative purposes only and form no part of the claimed design.

1 Claim, 5 Drawing Sheets



OTHER PUBLICATIONS

<http://web.archive.org/web/20080430160049/http://www.honlphoto.com/servlet/the-8/strobist-speedlight-strobe-flash/Detail>, Downloaded from web site (apparently available Apr. 30, 2008) (1 page).

http://web.archive.org/web/20060818231709/http://www.textol.com/t_sewon.asp, Downloaded from web site (apparently available Aug. 18, 2006) (2 pages).
http://web.archive.org/web/20071013091943/http://textol.com/t_velstretch.asp, Downloaded from web site (apparently available Oct. 13, 2007) (2 pages).

* cited by examiner

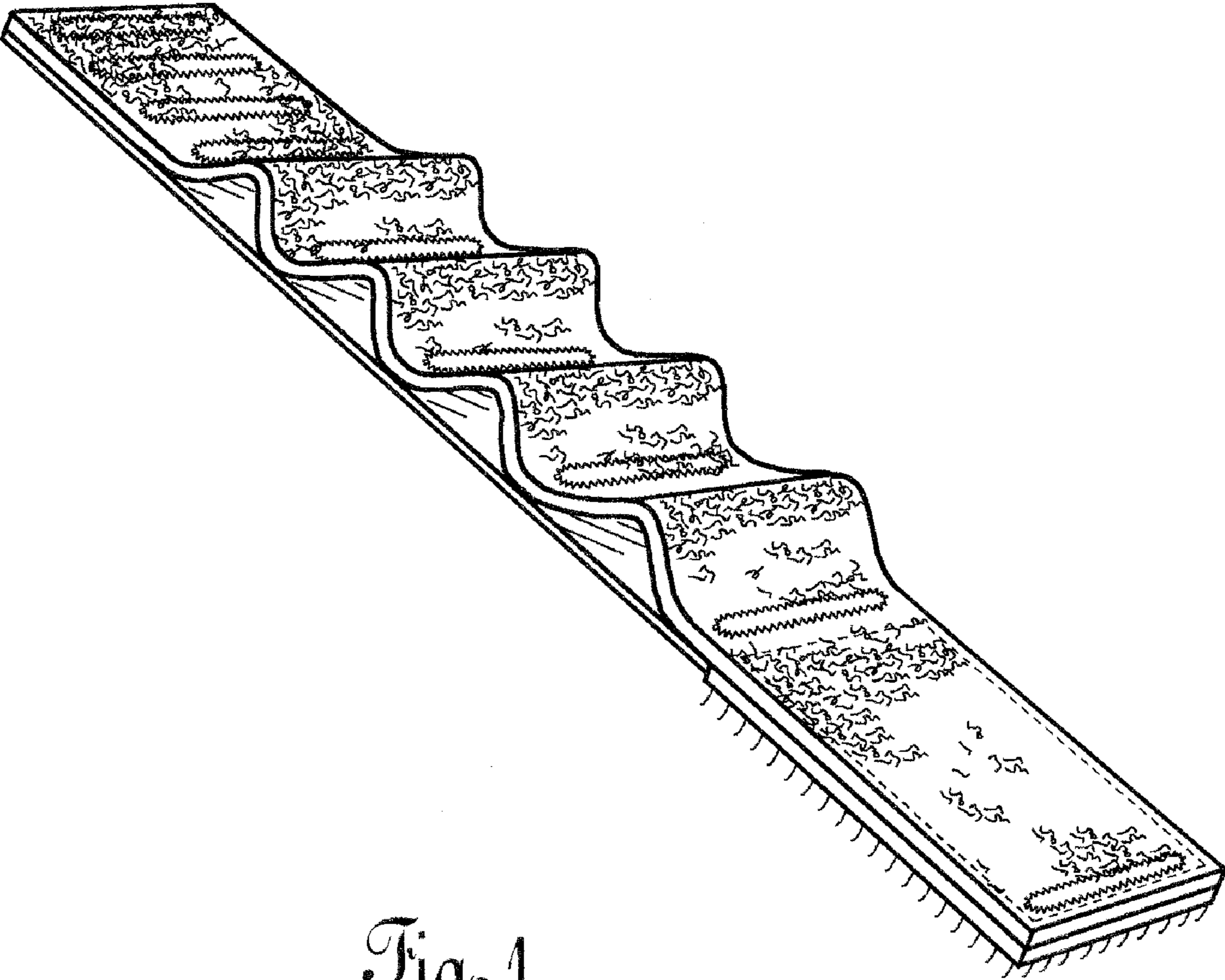


Fig. 1

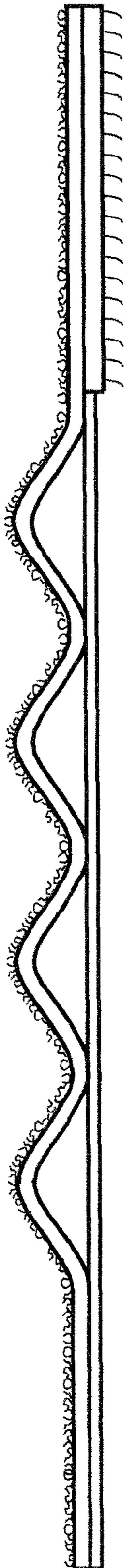


Fig. 2

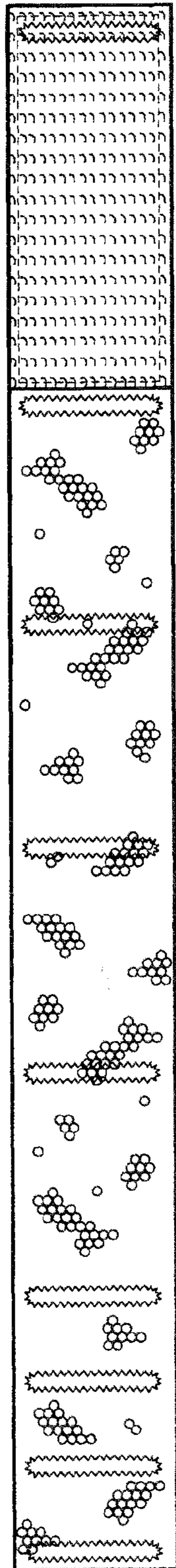


Fig. 3

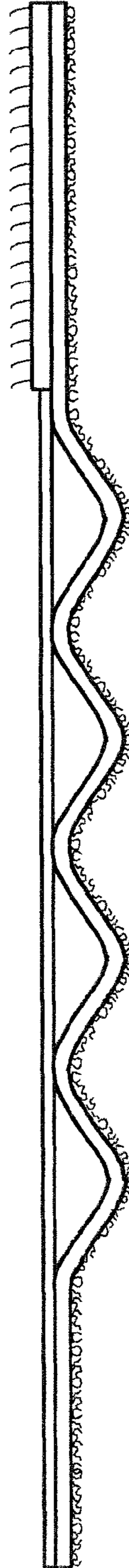


Fig. 4

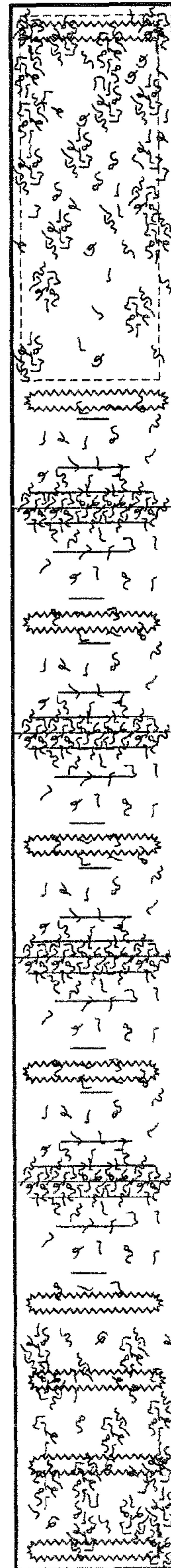


Fig. 5

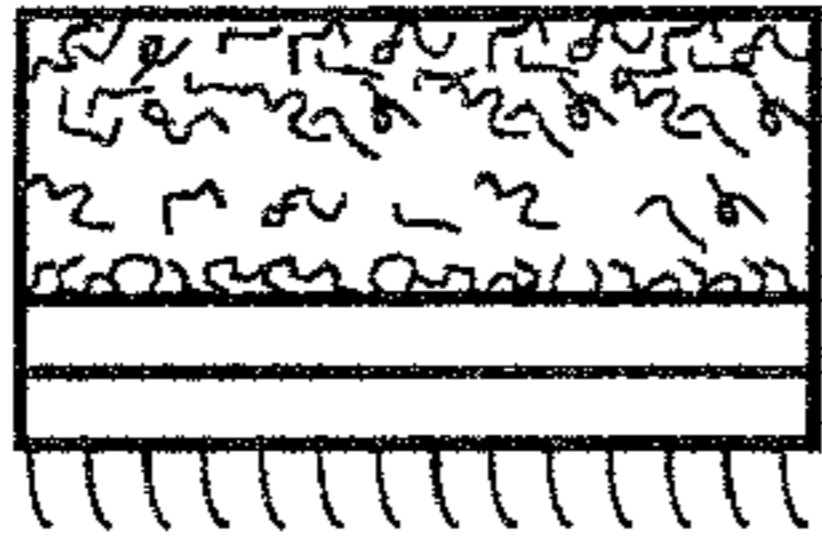


Fig. 6

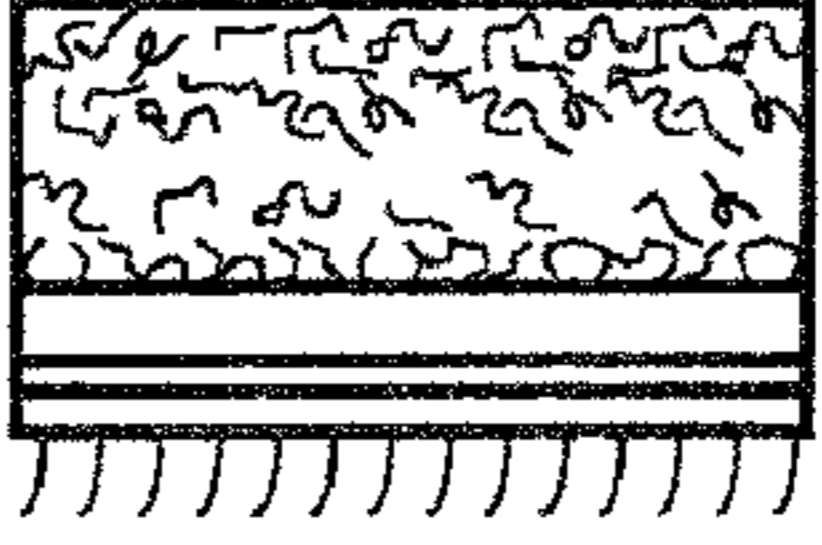


Fig. 7

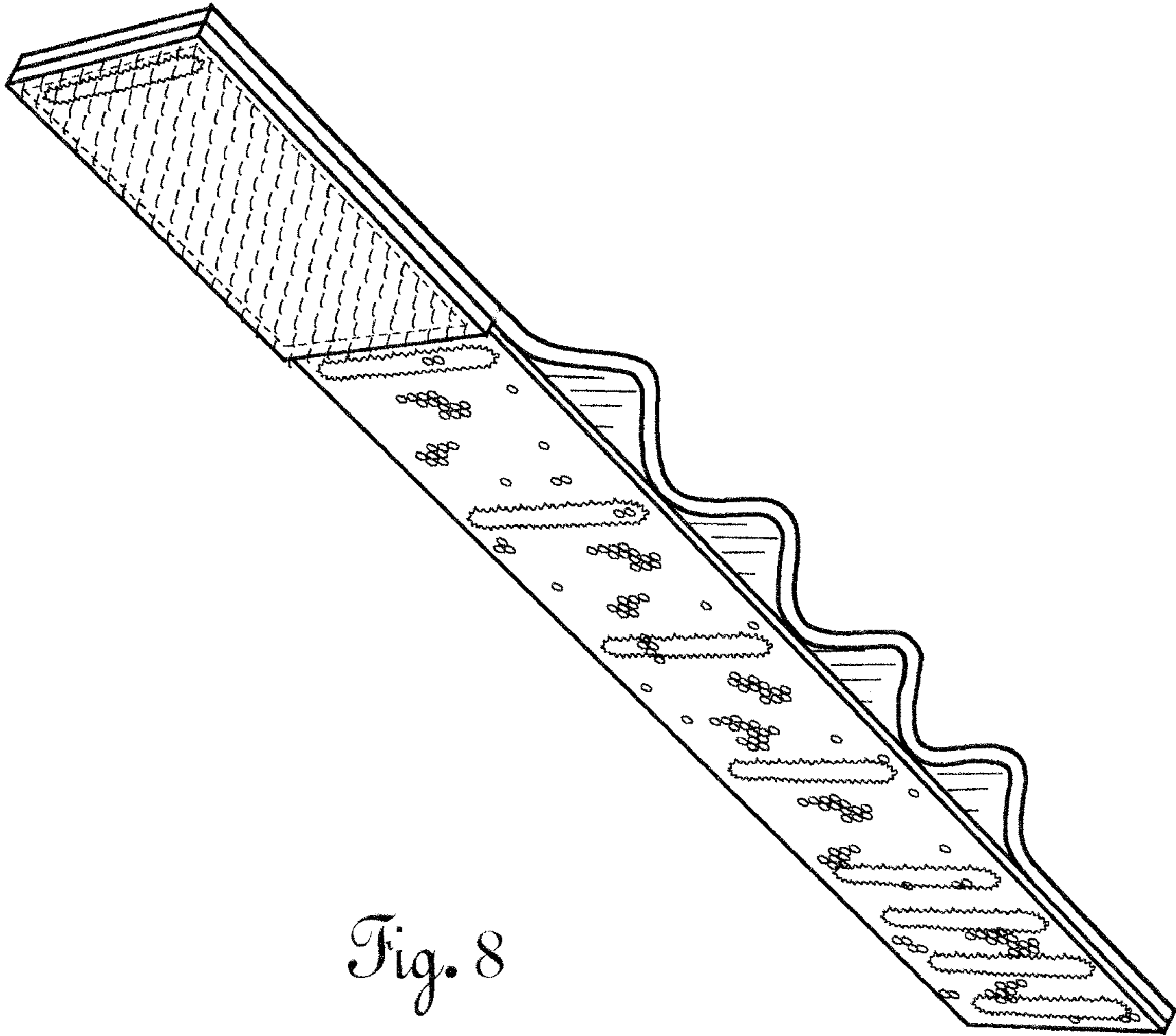


Fig. 8

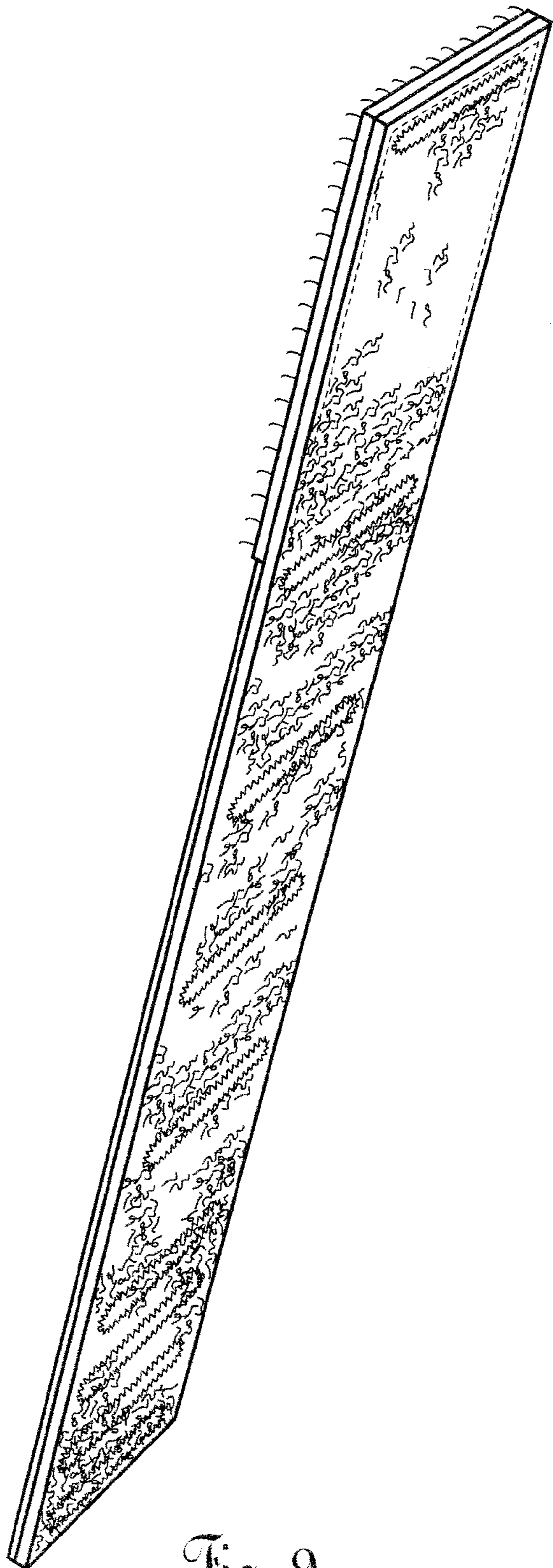


Fig. 9



Fig. 10

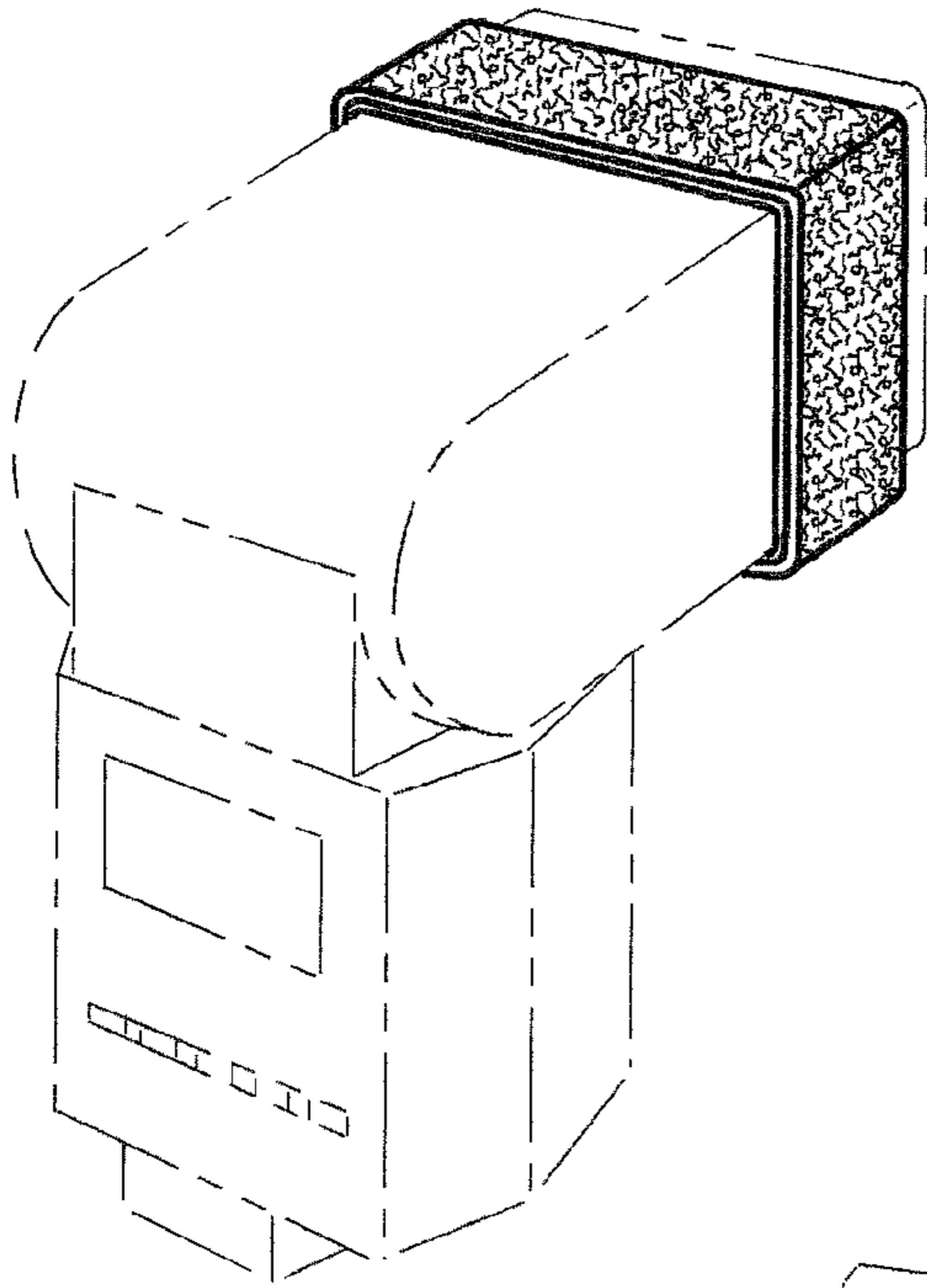


Fig. 11

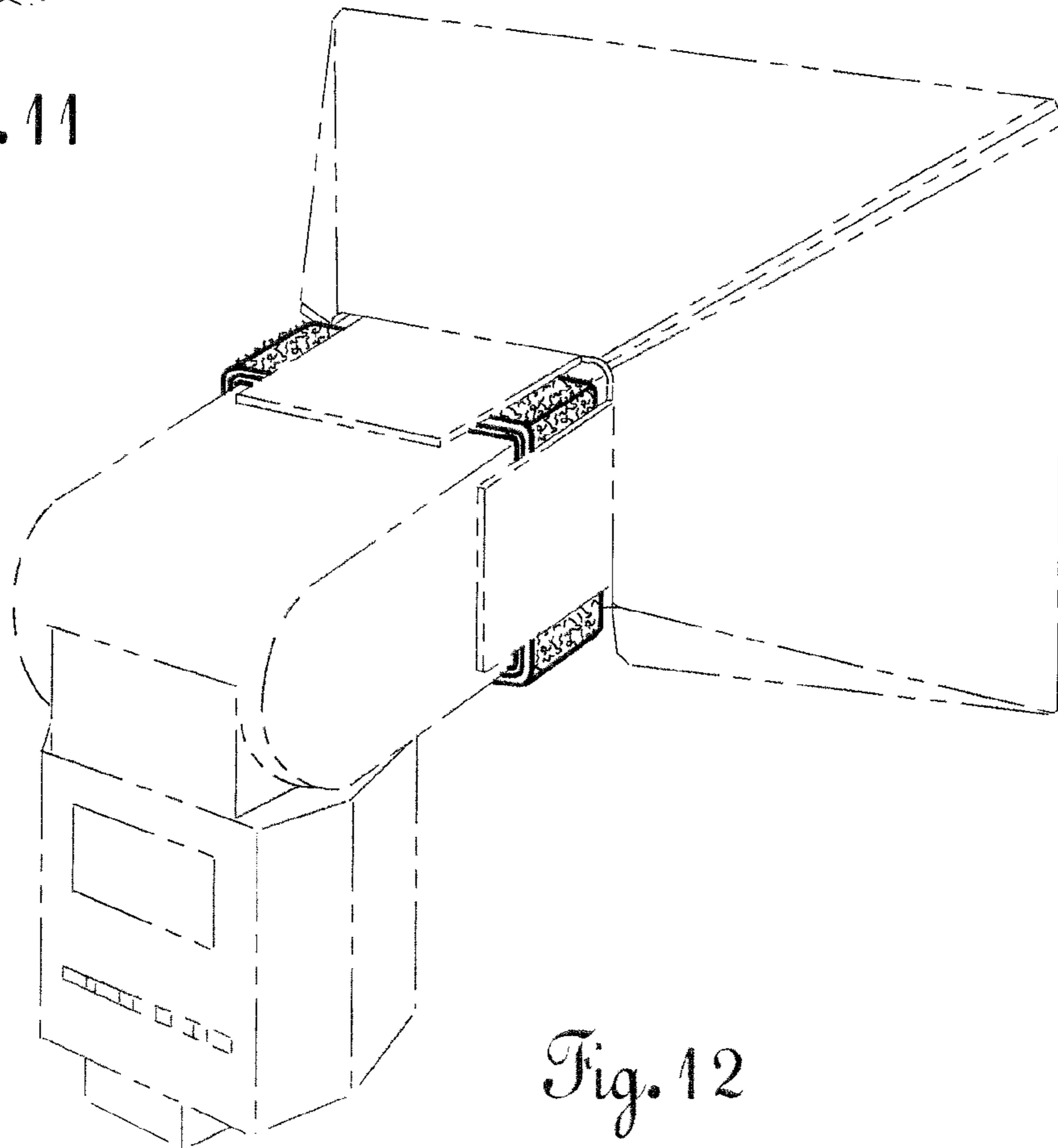


Fig. 12