



US00D667041S

(12) **United States Design Patent**
Uehara et al.

(10) **Patent No.:** **US D667,041 S**
(45) **Date of Patent:** **** Sep. 11, 2012**

(54) **VIDEO CAMERA**

(75) Inventors: **Mitsuhiro Uehara**, Tokyo (JP); **Tetsuro Miyazaki**, Tokyo (JP)

(73) Assignee: **Sony Corporation**, Tokyo (JP)

(**) Term: **14 Years**

(21) Appl. No.: **29/371,608**

(22) Filed: **May 13, 2011**

(51) **LOC (9) Cl.** **16-01**

(52) **U.S. Cl.** **D16/219; D8/312**

(58) **Field of Classification Search** D16/200,
D16/202, 204, 208, 212, 218, 219, 213, 235,
D16/250; 348/373, 374, 375, 376; 358/909.1;
396/349, 448, 535, 536, 537, 538, 539, 540,
396/541; D21/470; D14/496, 256; D7/387,
D7/399, 309; D8/312

See application file for complete search history.

(56) **References Cited**

U.S. PATENT DOCUMENTS

D173,885 S *	1/1955	Slate	D8/312
D176,508 S *	1/1956	Enos	D8/311
4,070,956 A *	1/1978	Brown	99/304
D252,208 S *	6/1979	Ooya	D16/219
D336,586 S *	6/1993	Dingelstad et al.	D7/309
D368,922 S	4/1996	Tanaka		

D387,734 S *	12/1997	Hawkins et al.	D13/158
D390,197 S *	2/1998	Thomas	D13/174
D402,269 S *	12/1998	Waters	D13/171
6,192,785 B1 *	2/2001	Trida et al.	99/284
D475,269 S *	6/2003	Matern	D8/312
D493,090 S *	7/2004	Chen et al.	D8/310
D526,524 S *	8/2006	Jordana	D7/309
D532,031 S	11/2006	Hayashi		
D562,864 S	2/2008	Yasutomi		
D565,625 S *	4/2008	Ikenaga et al.	D16/219
D566,148 S	4/2008	Akita		

* cited by examiner

Primary Examiner — Cynthia Underwood

(74) *Attorney, Agent, or Firm* — Rader, Fishman & Grauer PLLC

(57) **CLAIM**

The ornamental design for a video camera, as shown and described.

DESCRIPTION

FIG. 1 is a perspective view of a video camera showing our new design;

FIG. 2 is a front elevational view thereof;

FIG. 3 is a rear elevational view thereof;

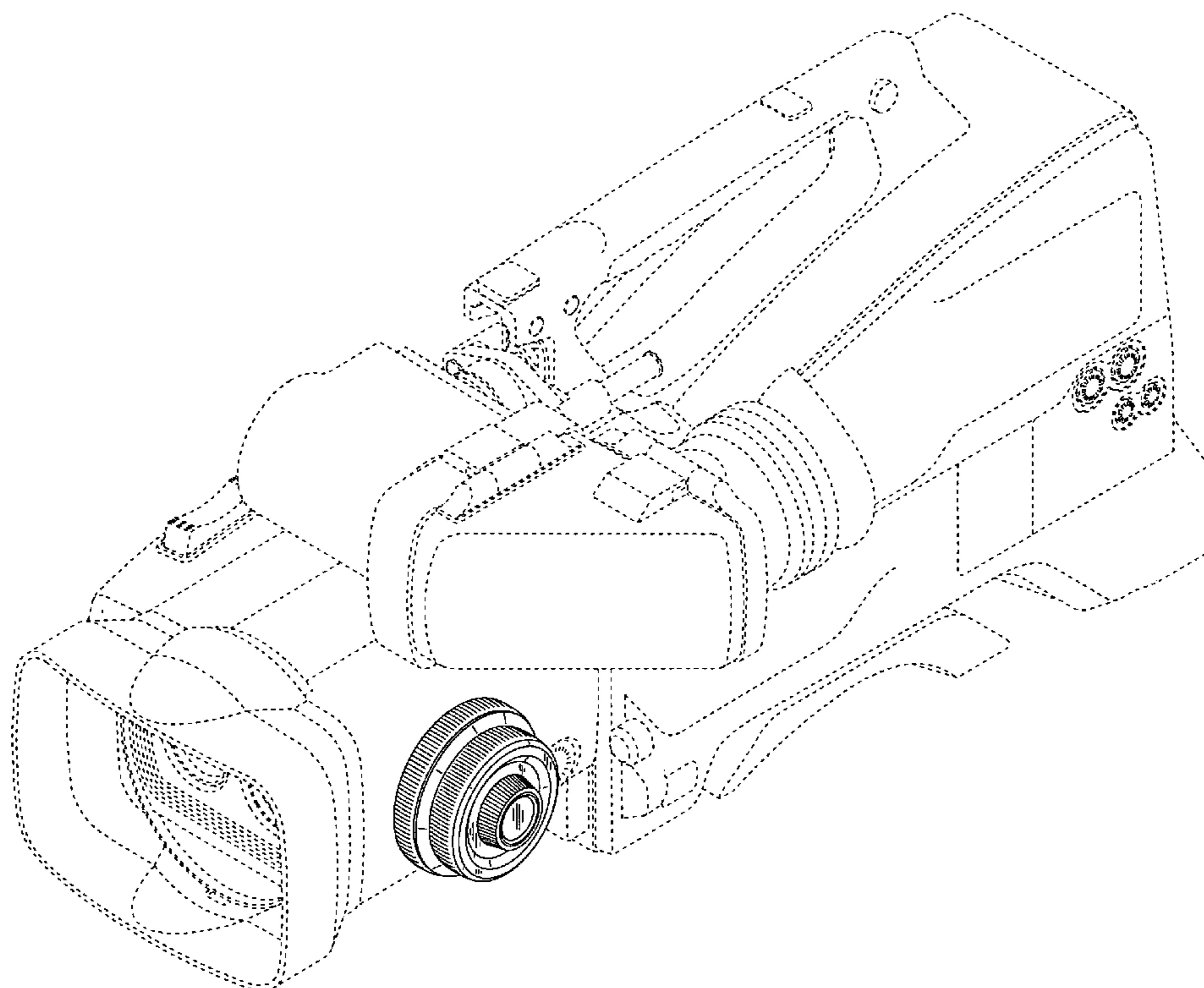
FIG. 4 is a right side elevational view thereof;

FIG. 5 is a top plan view thereof; and,

FIG. 6 is a bottom plan view thereof.

Portions in broken lines are for illustrative purposes only and form no part of claimed design.

1 Claim, 5 Drawing Sheets



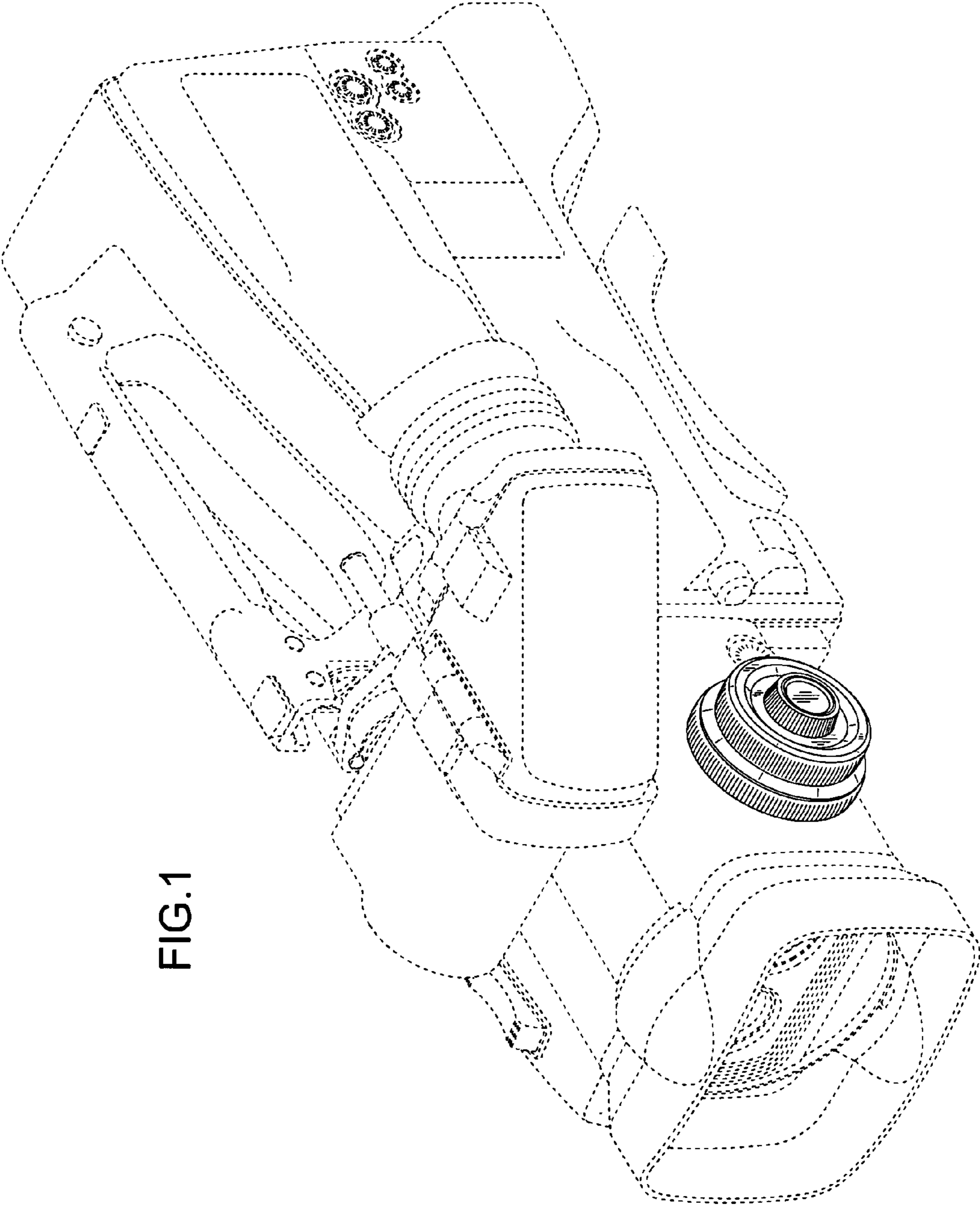


FIG.1

FIG.3

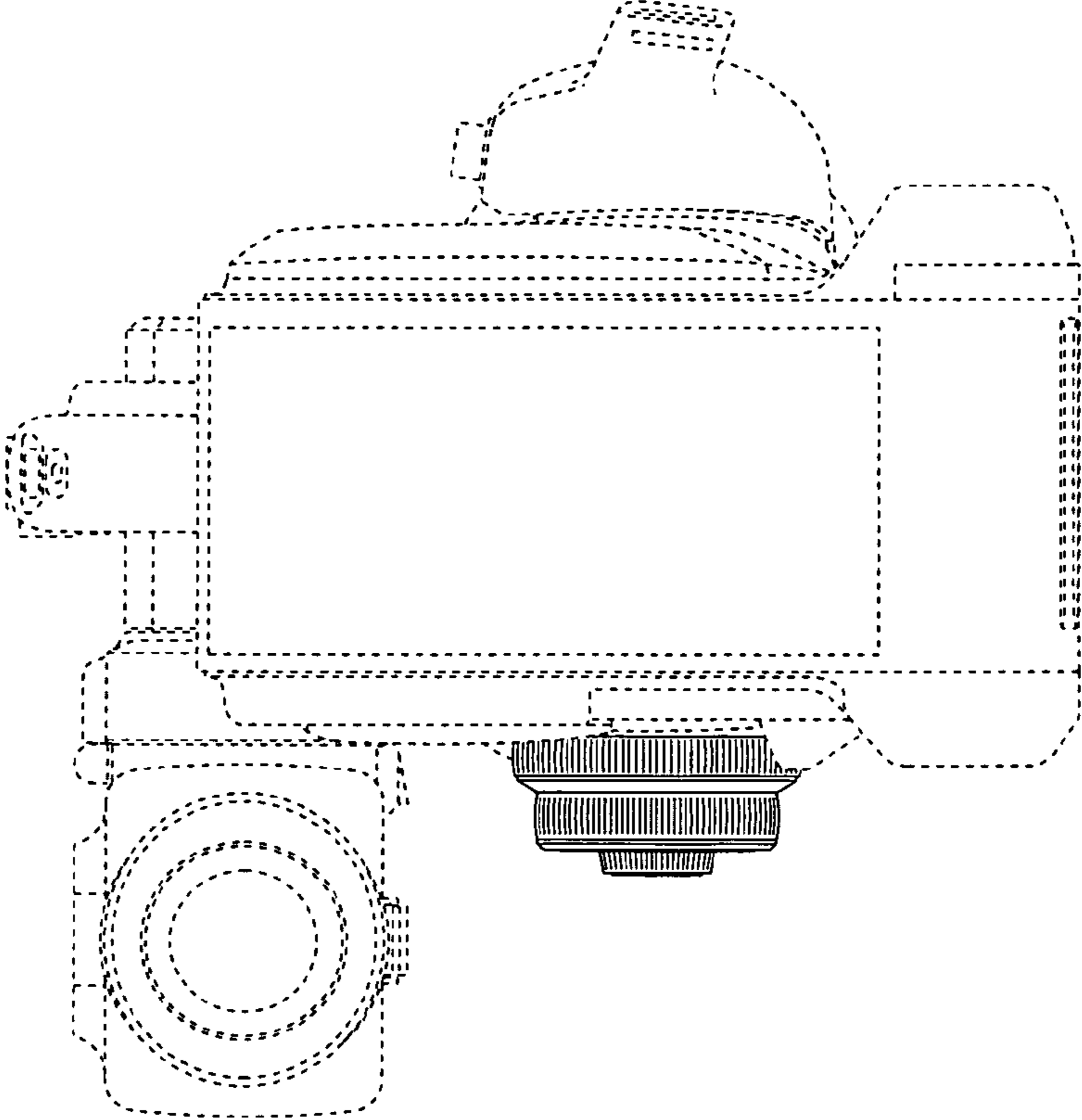


FIG.2

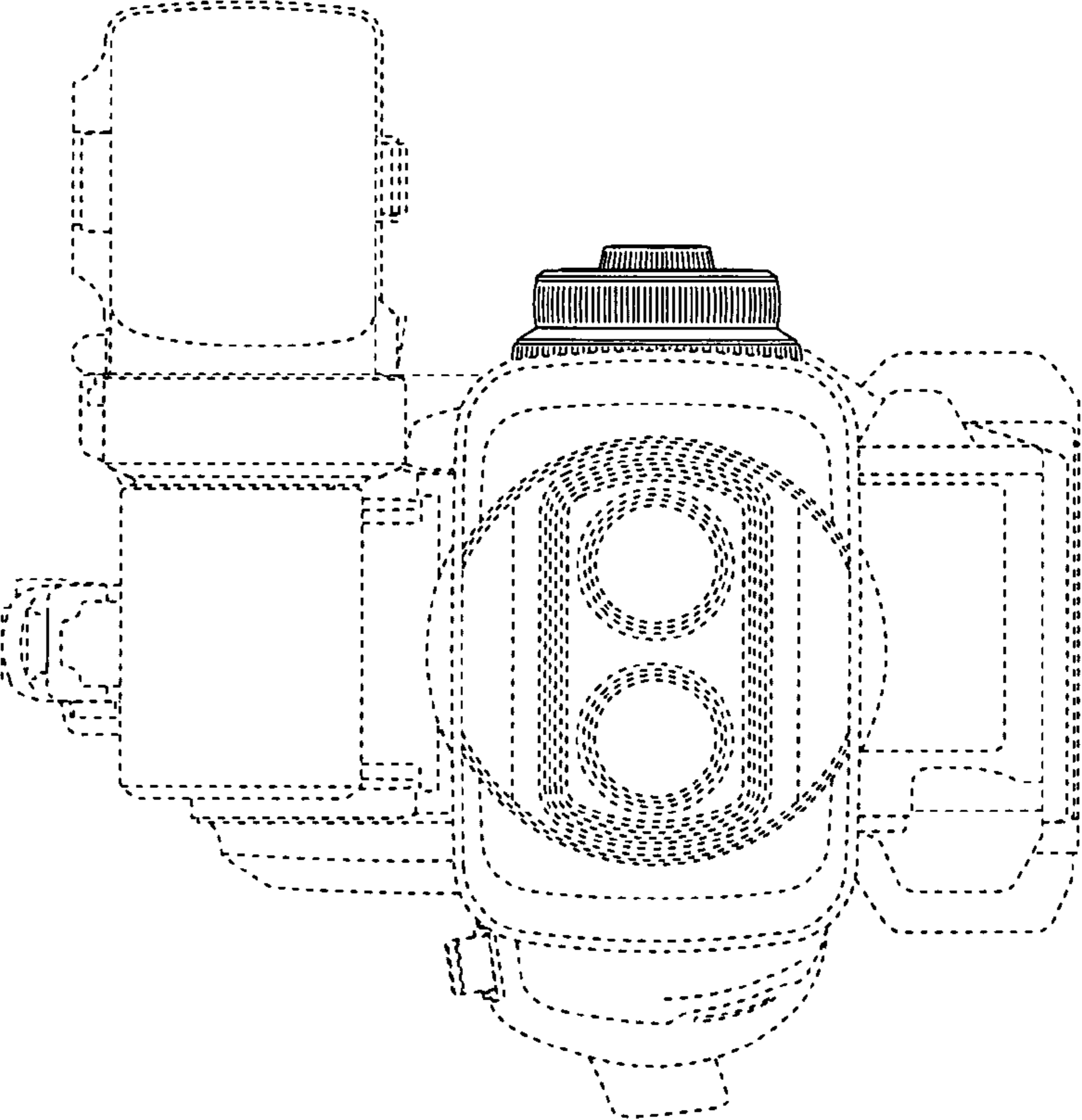


FIG.4

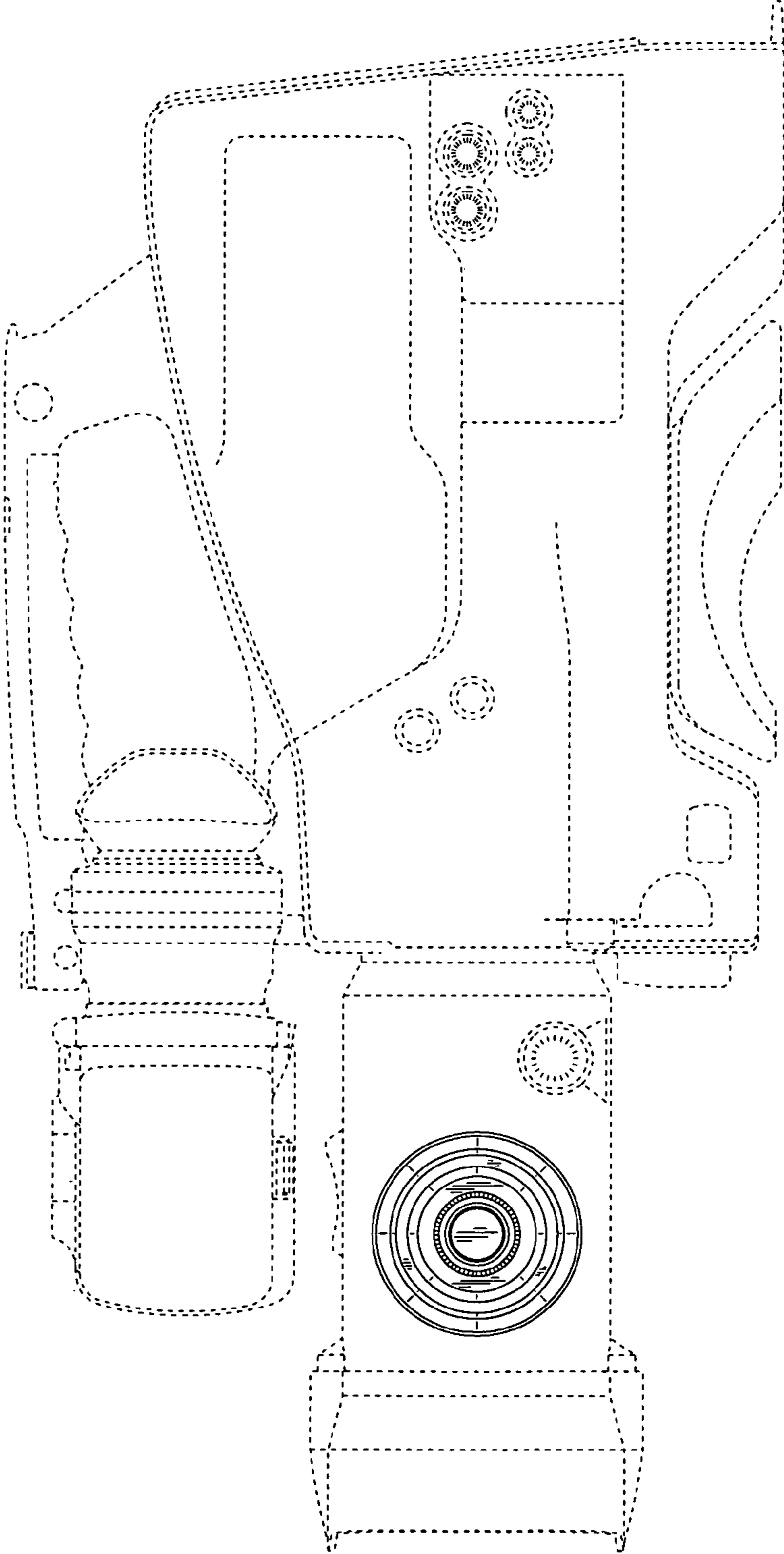


FIG.5

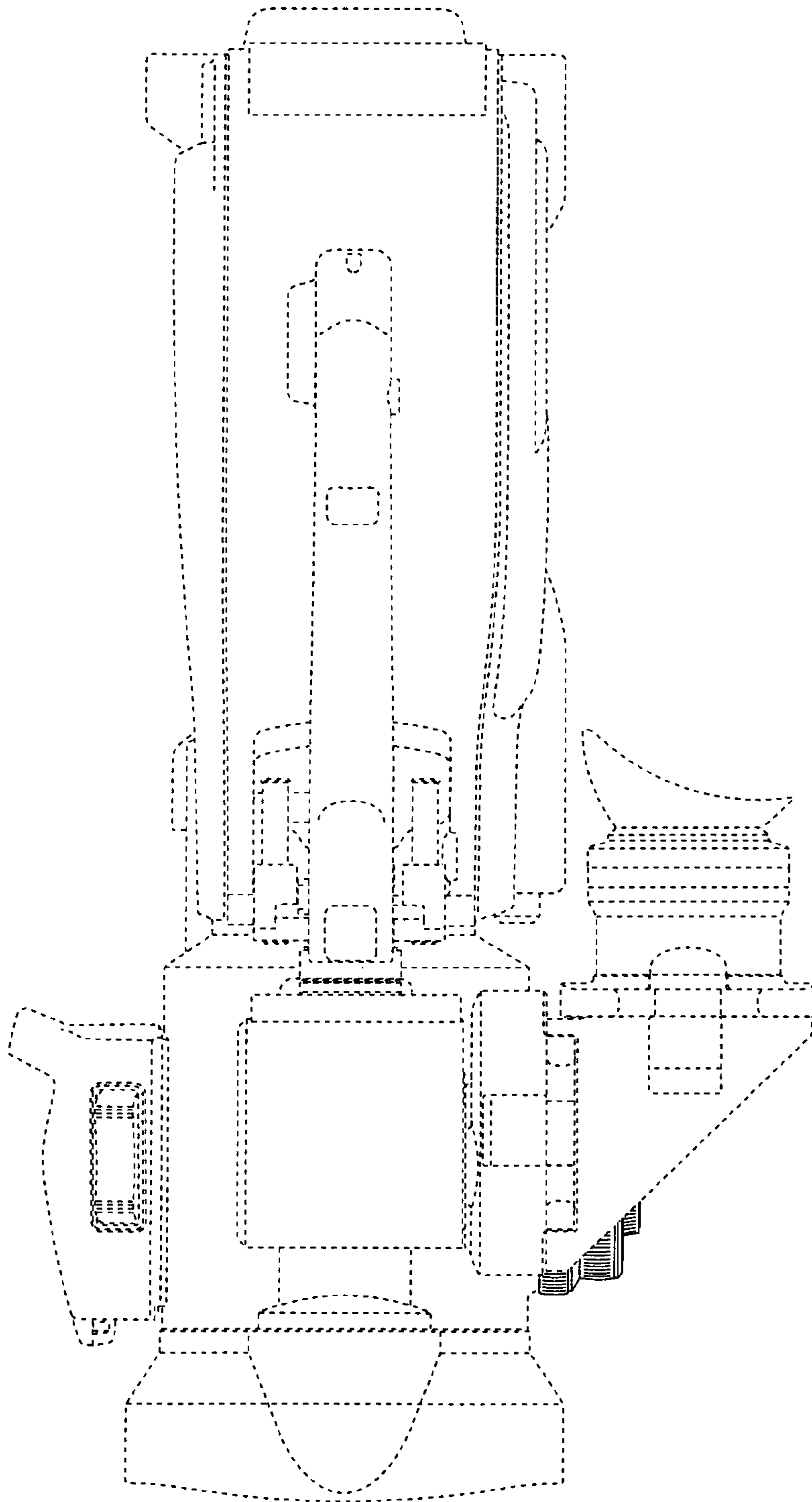


FIG.6

