



US00D667040S

(12) **United States Design Patent**  
**Holmes**

(10) **Patent No.:** **US D667,040 S**

(45) **Date of Patent:** **\*\* Sep. 11, 2012**

(54) **VIDEO INSPECTION CAMERA**

(76) Inventor: **Simon Peter Holmes**, Nr. Tewkesbury  
(GB)

(\*\*) Term: **14 Years**

(21) Appl. No.: **29/370,993**

(22) Filed: **Sep. 30, 2010**

(51) **LOC (9) Cl.** ..... **16-01**

(52) **U.S. Cl.** ..... **D16/206**

(58) **Field of Classification Search** ..... D16/200,  
D16/202, 206, 208, 218; D24/133, 137,  
D24/138; 348/373, 376; 396/419, 420;  
600/185-188

See application file for complete search history.

(56) **References Cited**

**U.S. PATENT DOCUMENTS**

5,103,254	A	4/1992	Bell et al.	
5,373,317	A	12/1994	Salvati et al.	
D370,922	S *	6/1996	Onoda et al.	D16/208
6,091,453	A	7/2000	Coan et al.	
7,302,037	B1	11/2007	Helenowski	
7,313,759	B2	12/2007	Sinisi	
D585,927	S *	2/2009	Sheard et al.	D16/206
D594,555	S *	6/2009	Hsu	D24/137
D599,392	S *	9/2009	Hamrelius	D16/206
D637,715	S *	5/2011	Clarke et al.	D24/137
2002/0093493	A1	7/2002	Michaeli et al.	
2005/0129108	A1	6/2005	Bendall et al.	
2007/0106121	A1 *	5/2007	Yokota et al.	600/188

2009/0225159	A1	9/2009	Schneider et al.	
2009/0322867	A1 *	12/2009	Carrey et al.	348/77
2010/0101569	A1 *	4/2010	Kim et al.	128/203.12

**OTHER PUBLICATIONS**

“The Nikon Guide to Digital Photography with the D70 Digital Camera”, Mar. 17, 2004, [http://www.nikonusa.com/pdf/manuals/dslr/D70\\_en.pdf](http://www.nikonusa.com/pdf/manuals/dslr/D70_en.pdf), pp. 3-5 .

International Search Report, PCT/IB2011/000709, SecureSight International Limited, EPO/ISA.

\* cited by examiner

*Primary Examiner* — Adir Aronovich

(74) *Attorney, Agent, or Firm* — J. Bennett Mullinax, LLC

(57) **CLAIM**

The ornamental design for a video inspection camera, as shown and described.

**DESCRIPTION**

FIG. 1 is a front perspective view of a video inspection camera according to the present design;

FIG. 2 is a right side perspective view thereof;

FIG. 3 is front elevational view thereof;

FIG. 4 is rear elevational view thereof;

FIG. 5 is right side elevational view thereof;

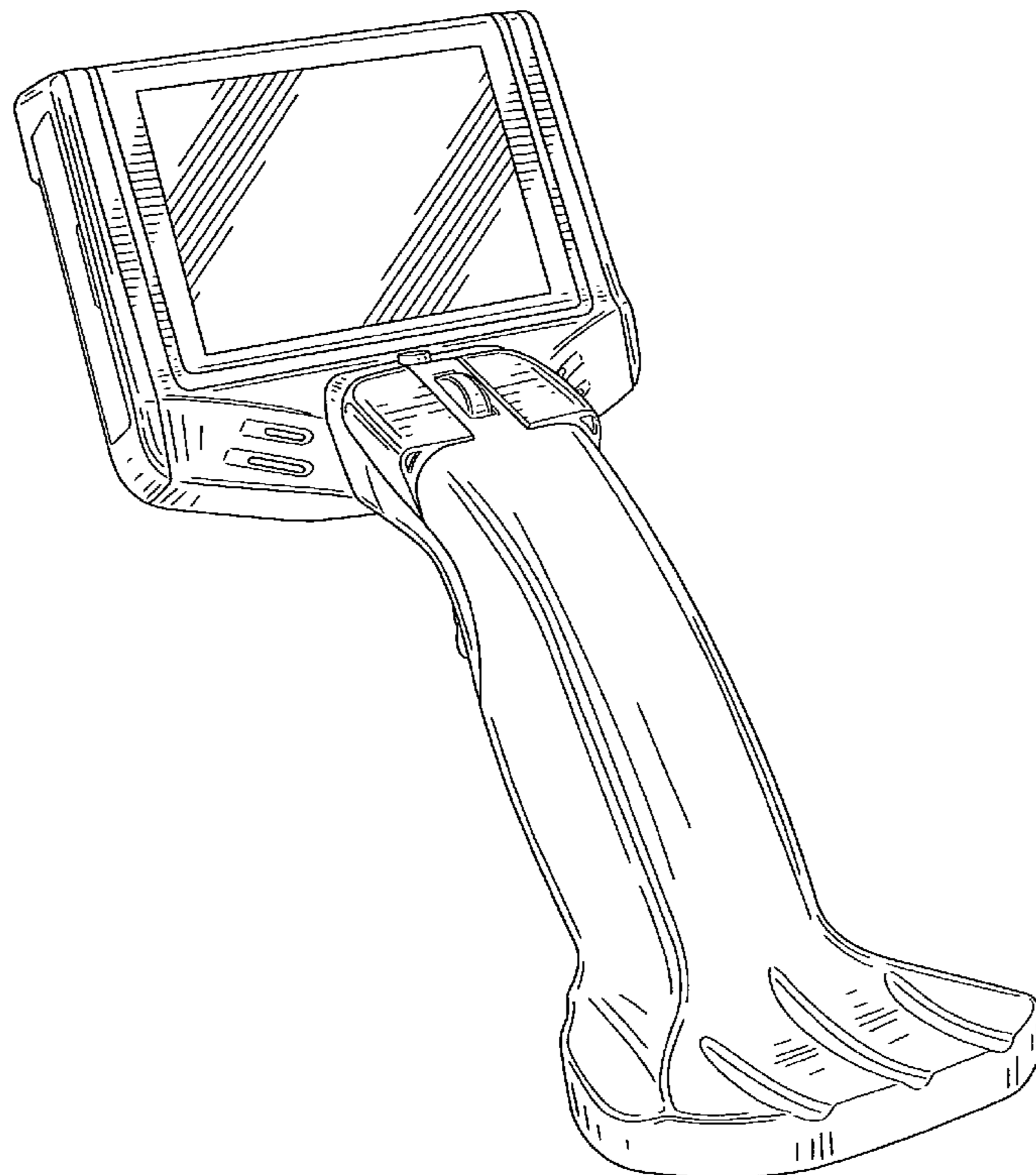
FIG. 6 is left side elevational view thereof;

FIG. 7 is a top plan view thereof; and,

FIG. 8 is a bottom plan view thereof.

The portions of the video inspection camera in broken lines are shown for illustrative purposes only and form no part of the claimed design.

**1 Claim, 7 Drawing Sheets**



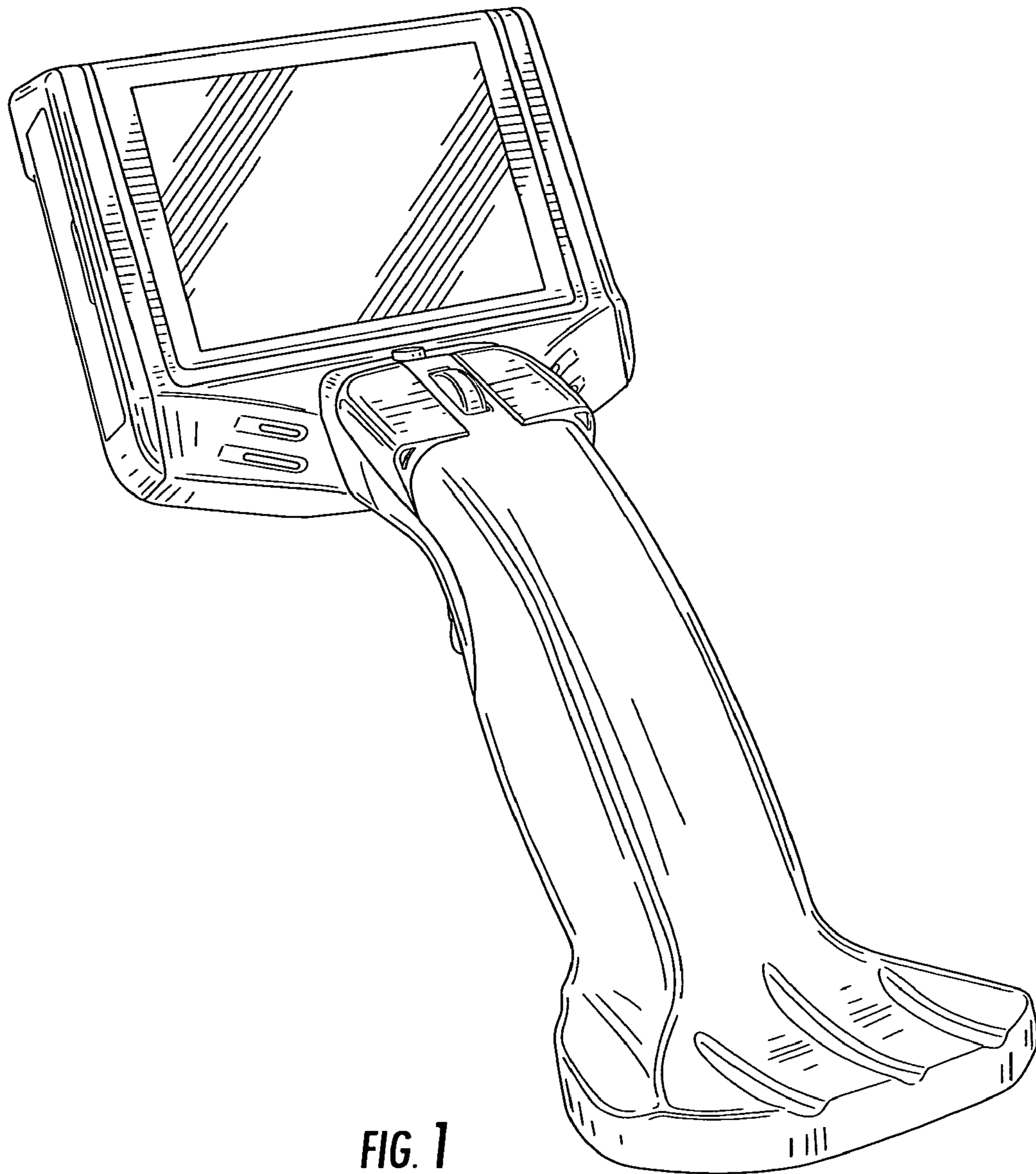


FIG. 1

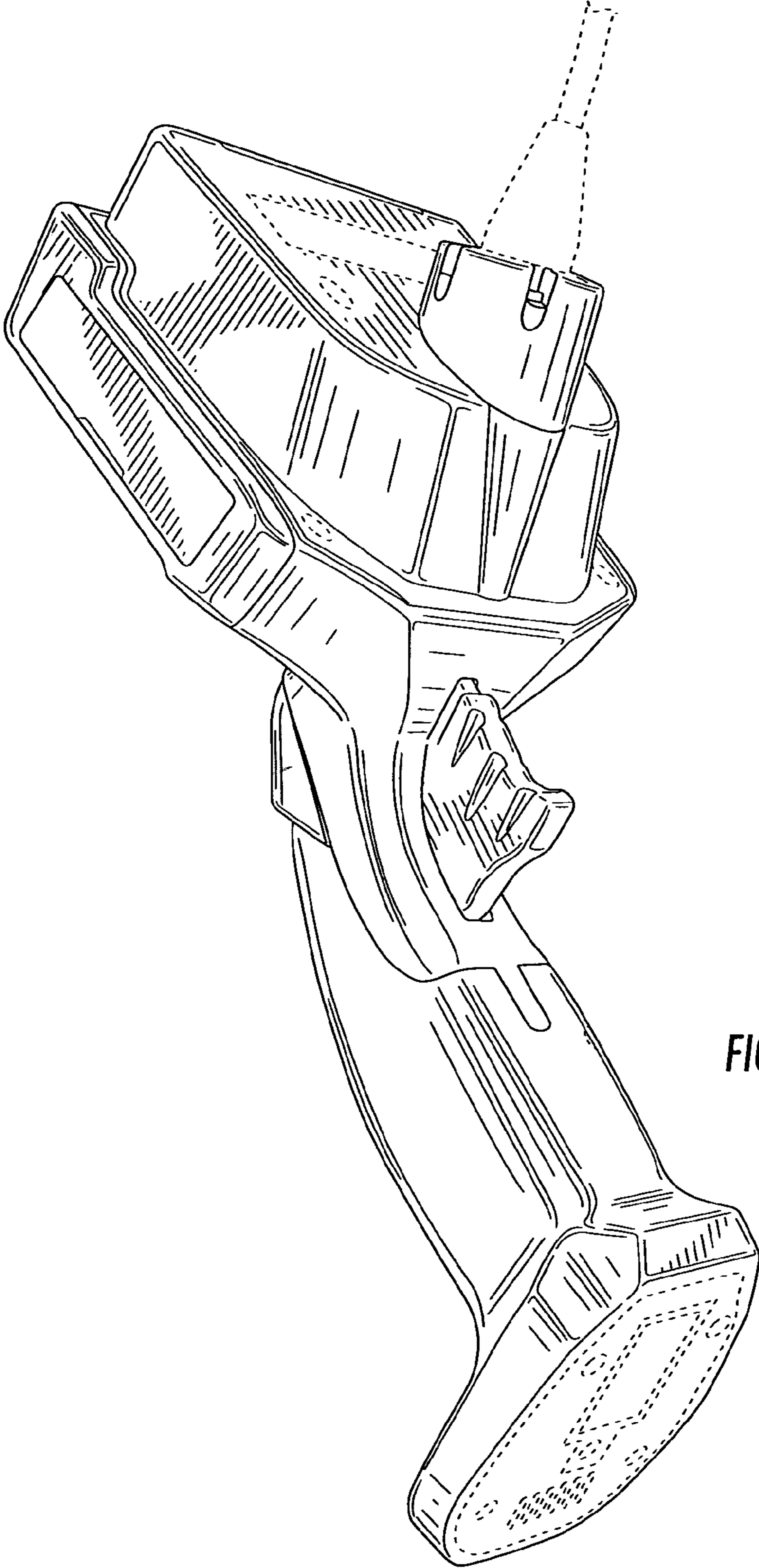


FIG. 2

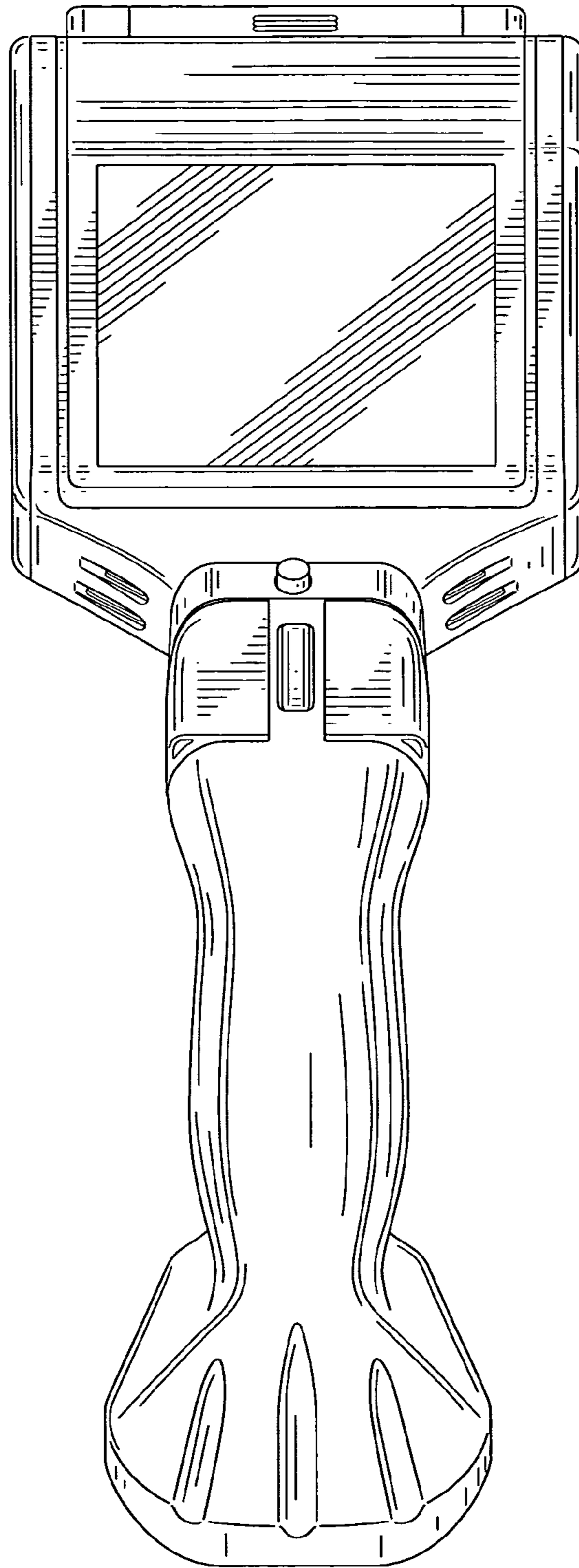


FIG. 3



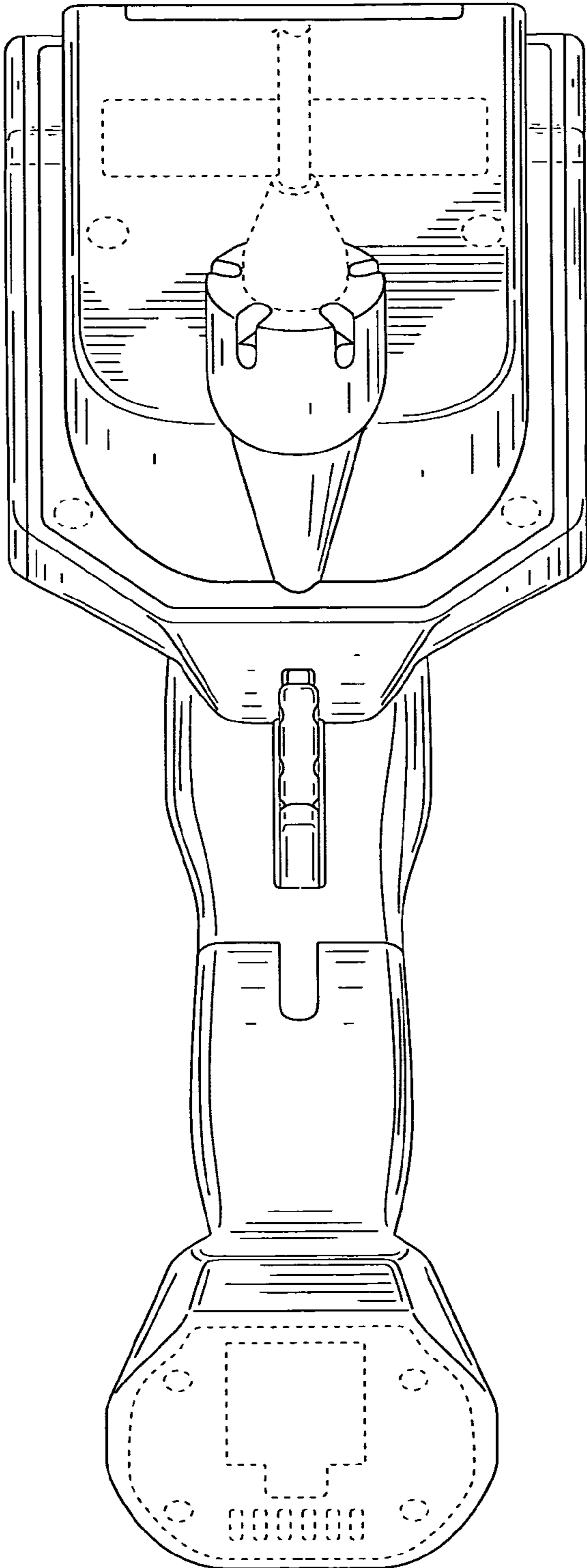


FIG. 4

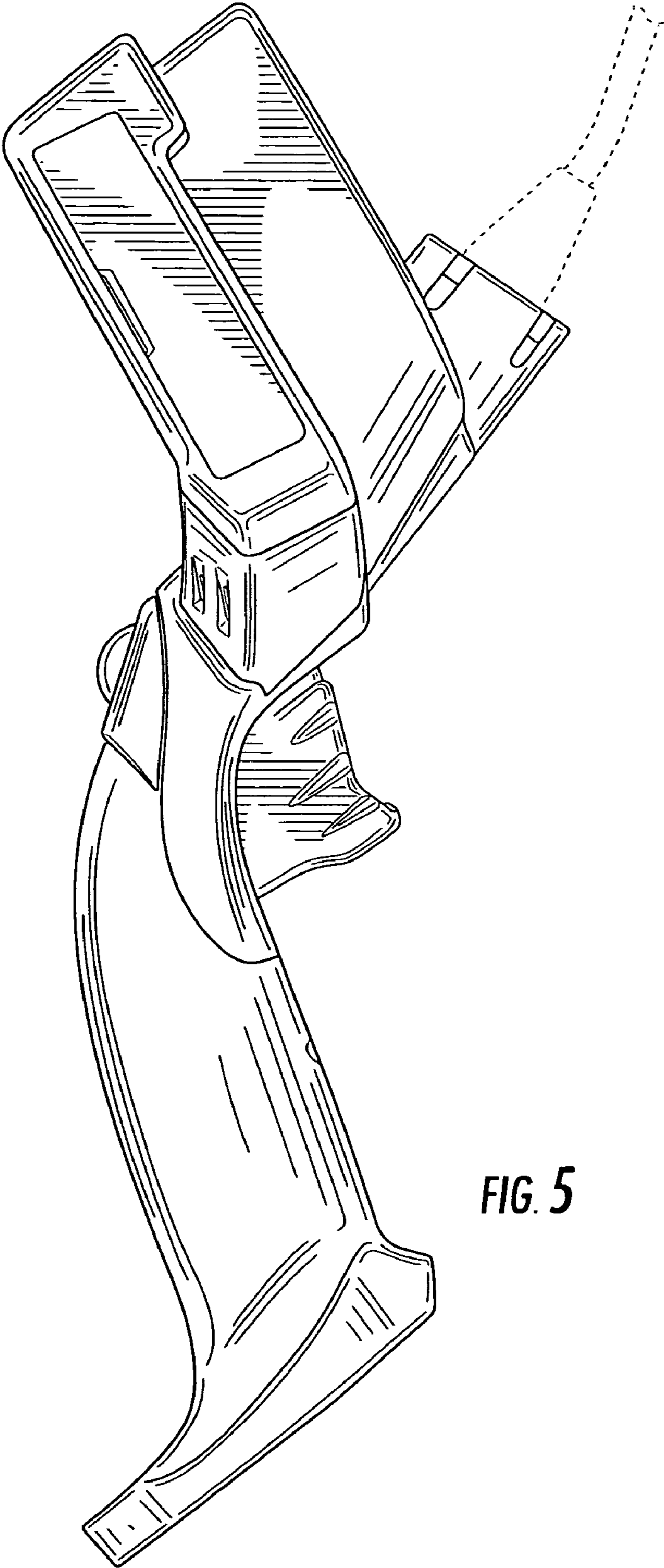


FIG. 5

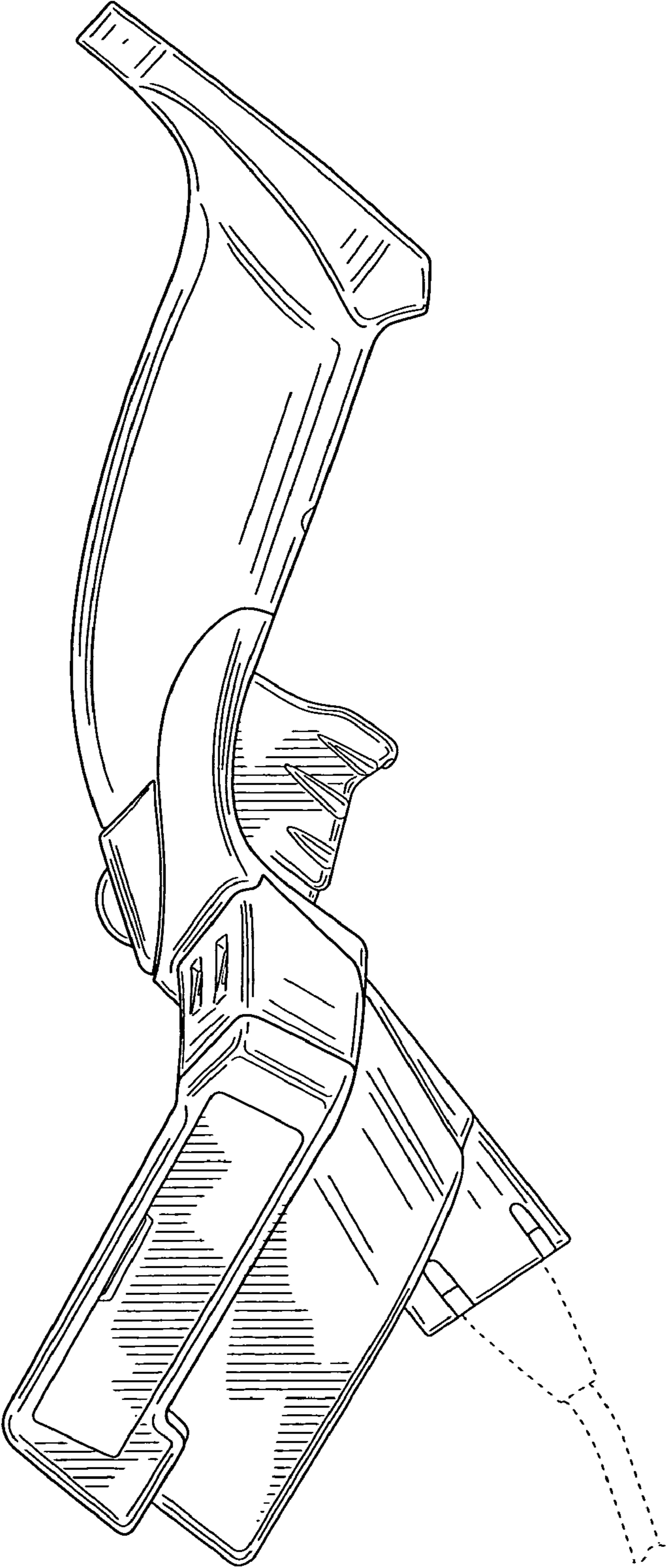
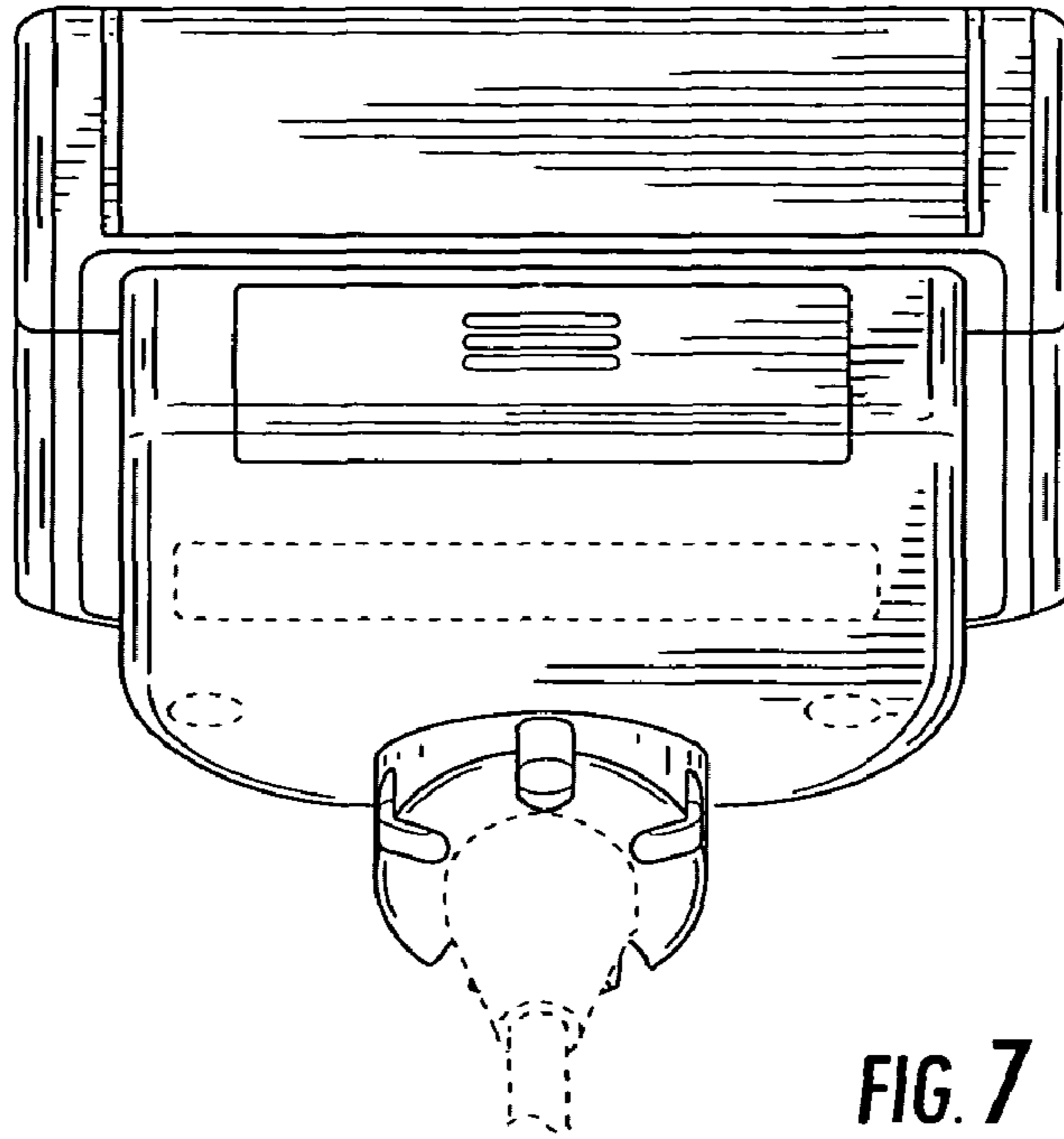
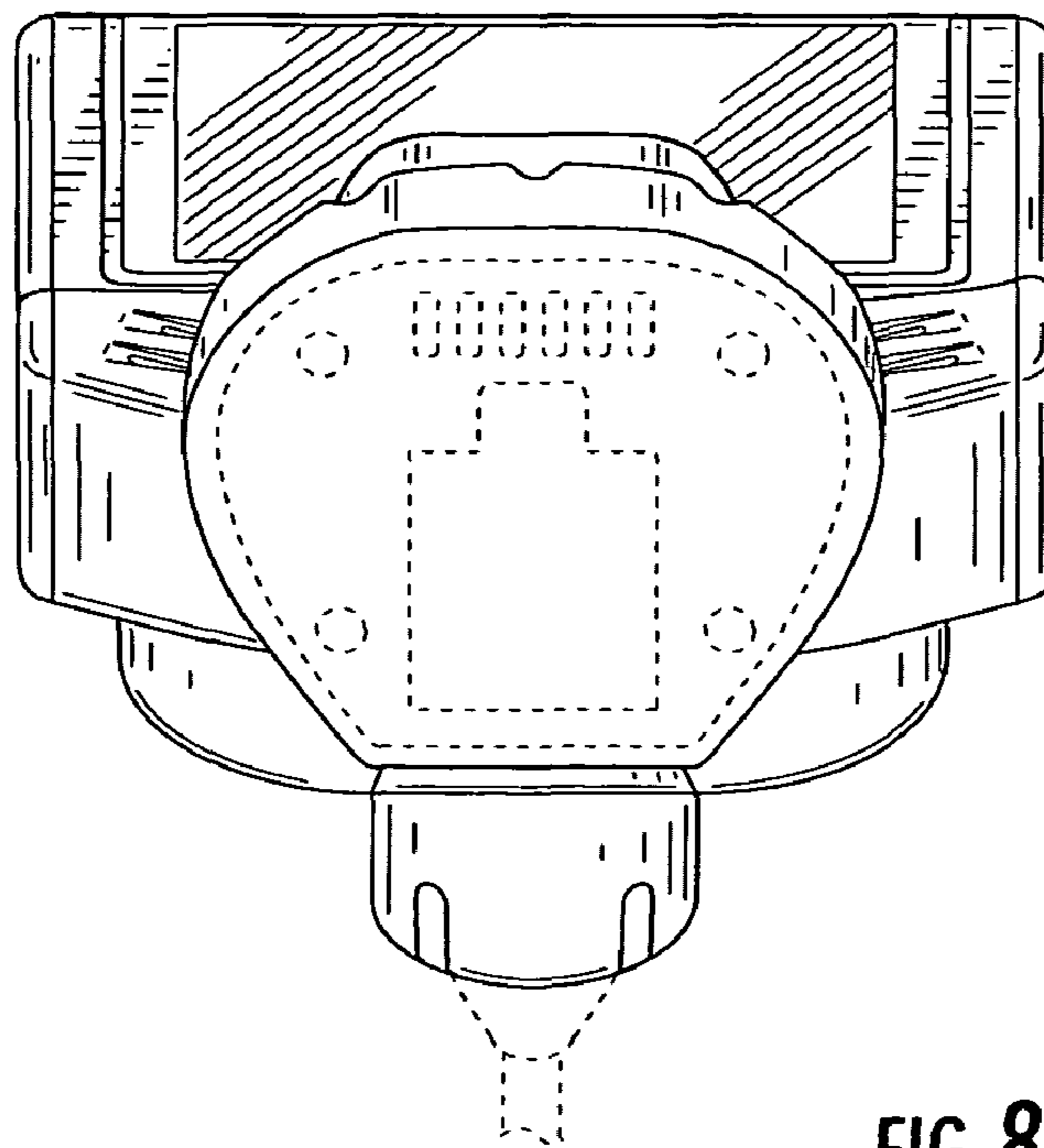


FIG. 6



**FIG. 7**



**FIG. 8**