



US00D667039S

(12) **United States Design Patent**  
**Miyashita**

(10) **Patent No.:** **US D667,039 S**

(45) **Date of Patent:** **\*\* Sep. 11, 2012**

(54) **VIDEO CAMERA**

(75) Inventor: **Shin Miyashita**, Tokyo (JP)

(73) Assignee: **Sony Corporation**, Tokyo (JP)

(\*\*) Term: **14 Years**

(21) Appl. No.: **29/371,171**

(22) Filed: **Nov. 10, 2010**

D559,247 S	1/2008	Kawase	
D559,879 S	1/2008	Sumita	
D559,880 S	1/2008	Sumita	
D565,081 S *	3/2008	Ishikawa	D16/235
D574,027 S	7/2008	Miyazaki	
D585,900 S	2/2009	Kumano	
D586,836 S *	2/2009	Liow et al.	D16/218
7,522,834 B2 *	4/2009	Heaven et al.	396/535
D592,231 S *	5/2009	Schnell	D16/202
D596,217 S *	7/2009	Kim et al.	D16/219
D621,435 S *	8/2010	Green et al.	D16/219
D654,943 S *	2/2012	Ogasawara et al.	D16/219
D655,325 S *	3/2012	Nojima et al.	D16/131

(30) **Foreign Application Priority Data**

May 11, 2010	(JP)	.....	D2010-011375
May 11, 2010	(JP)	.....	D2010-011376
May 11, 2010	(JP)	.....	D2010-011415
May 11, 2010	(JP)	.....	D2010-011416
May 11, 2010	(JP)	.....	D2010-011523
May 11, 2010	(JP)	.....	D2010-011524
May 11, 2010	(JP)	.....	D2010-011525

(51) **LOC (9) Cl.** ..... **16-01**

(52) **U.S. Cl.** ..... **D16/202; D16/219**

(58) **Field of Classification Search** ..... D16/200,  
D16/202, 204, 208, 212, 218, 219; 348/373,  
348/374, 375, 376; 358/909.1; 396/349,  
396/448, 535, 536, 537, 538, 539, 540, 541  
See application file for complete search history.

(56) **References Cited**

**U.S. PATENT DOCUMENTS**

D452,861 S	1/2002	Ogasawara	
D461,360 S *	8/2002	Bossler	D7/337
D466,499 S	12/2002	Nakano	
D471,201 S *	3/2003	Tsukuda	D14/455
D493,456 S	7/2004	Ogasawara	
D501,660 S	2/2005	Kumano	
D508,065 S *	8/2005	Dow et al.	D16/202
D510,737 S	10/2005	Yokota	
D528,576 S *	9/2006	Chung et al.	D16/202
D542,332 S *	5/2007	Miyahara	D18/4.1

**FOREIGN PATENT DOCUMENTS**

JP	63-057637 U	4/1988
JP	D897533 S	4/1994
JP	09-211645 A	8/1997
JP	D1131140 S	1/2002
JP	D1286721 S	11/2006
JP	D1299636 S	5/2007

\* cited by examiner

*Primary Examiner* — Cynthia Underwood

(74) *Attorney, Agent, or Firm* — Rader, Fishman & Grauer PLLC

(57) **CLAIM**

The ornamental design for a video camera, as shown and described.

**DESCRIPTION**

FIG. 1 is a perspective view of a video camera showing my new design;

FIG. 2 is a front elevational view thereof;

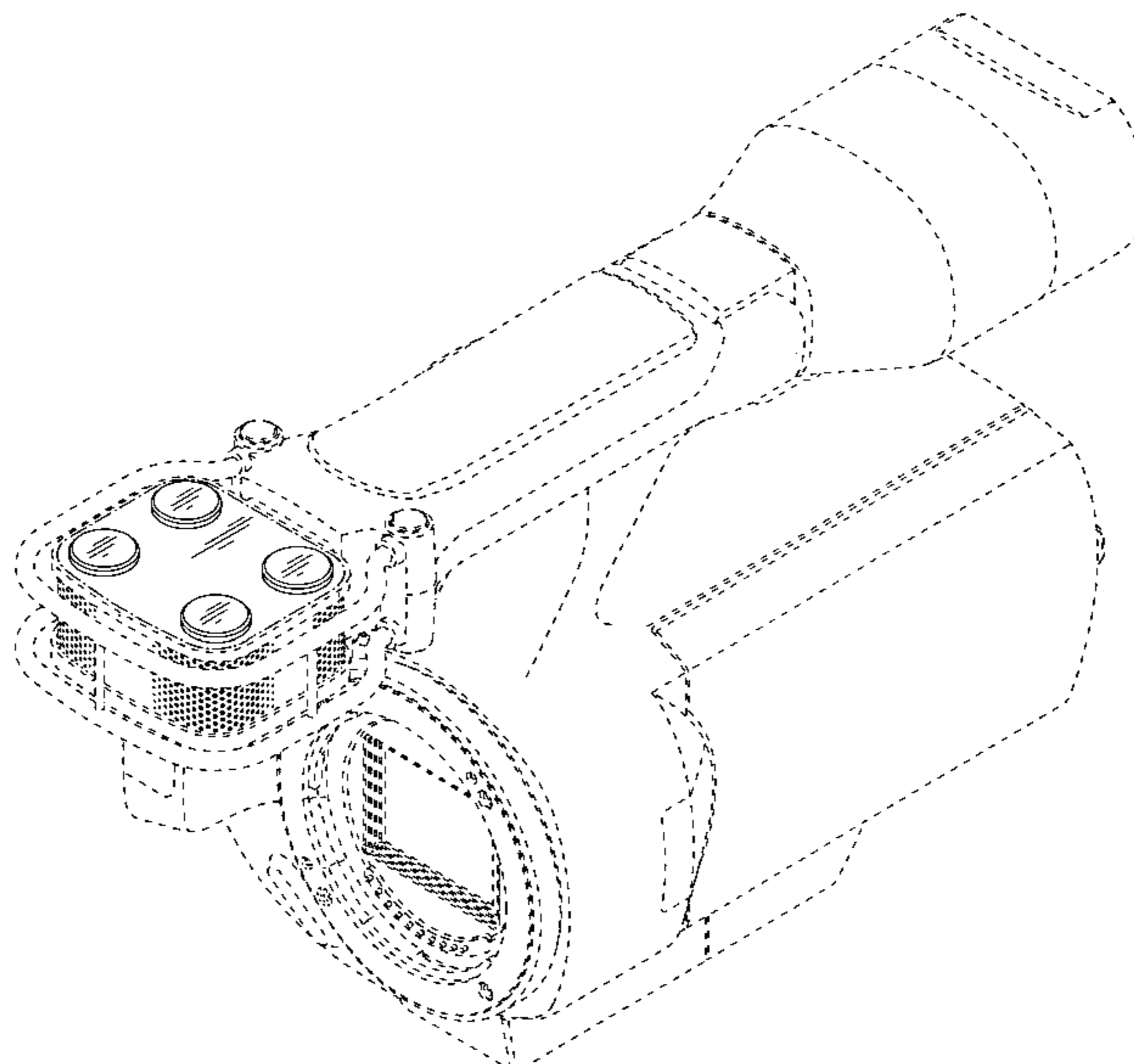
FIG. 3 is a left side elevational view thereof;

FIG. 4 is a right side elevational view thereof; and,

FIG. 5 is a top plan view thereof.

Portions in broken lines are for illustrative purposes only and form no part of claimed design. Dot-dash broken lines define the boundaries of, but not included in, the claimed design.

**1 Claim, 5 Drawing Sheets**



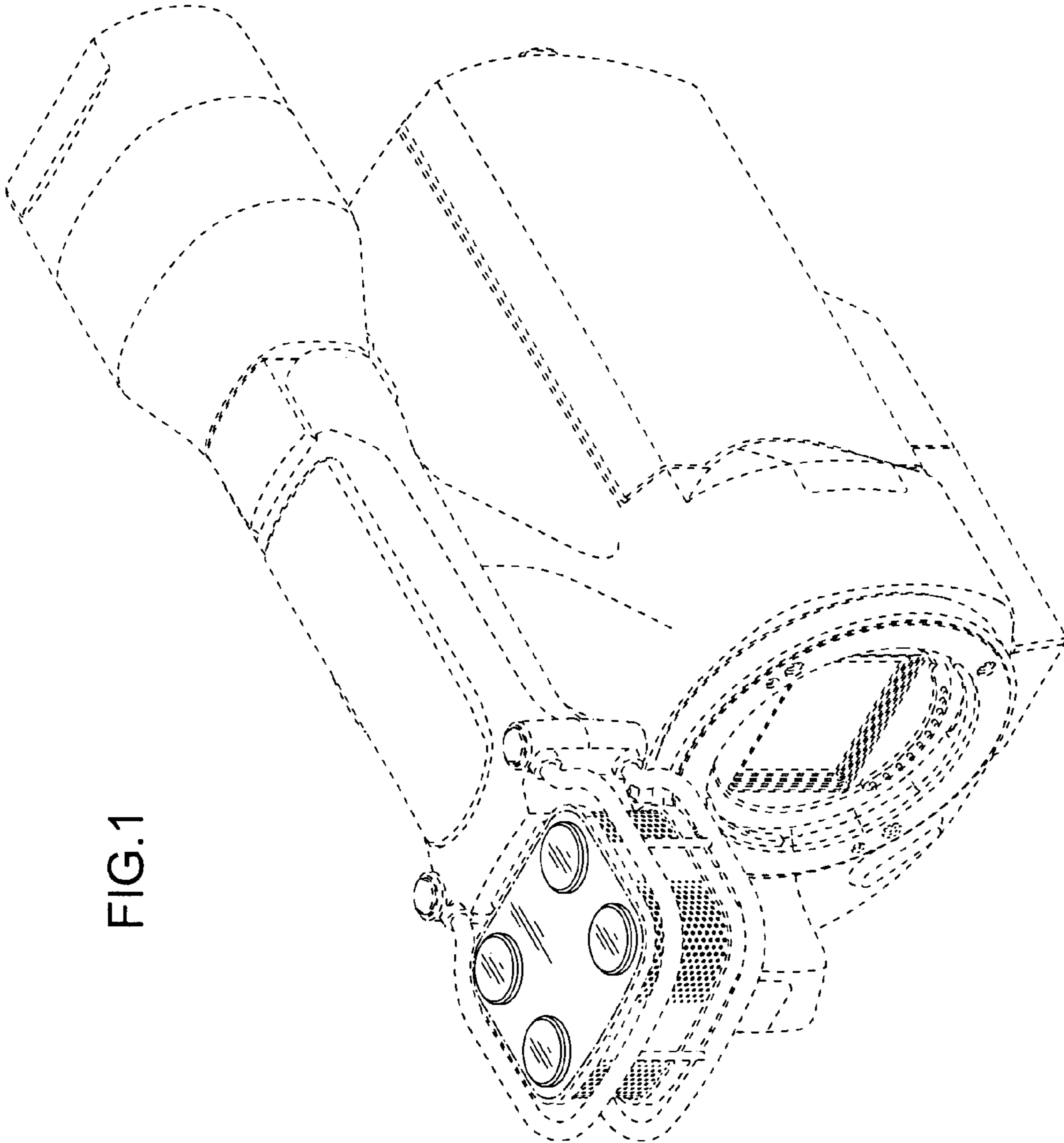
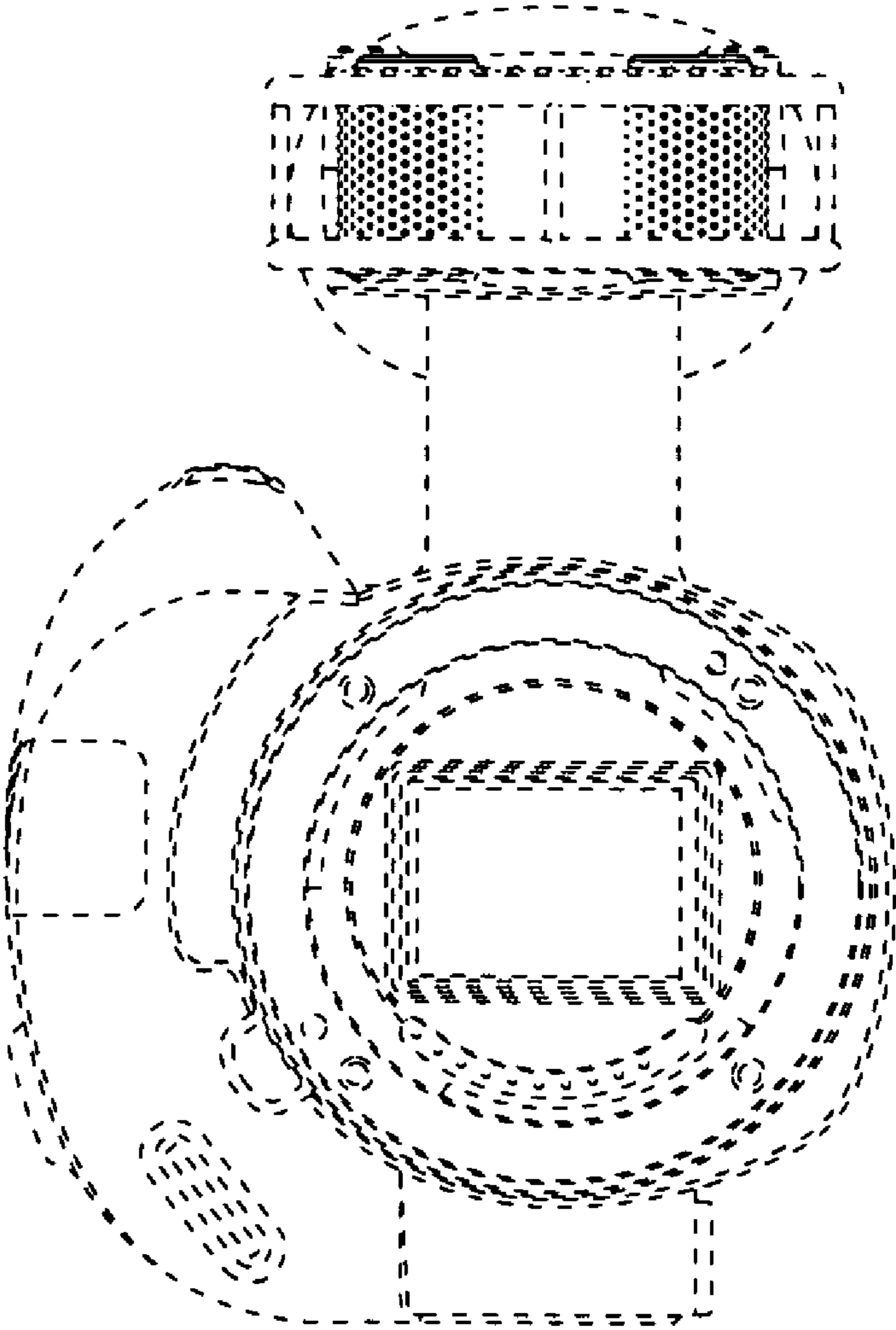


FIG.1

FIG.2



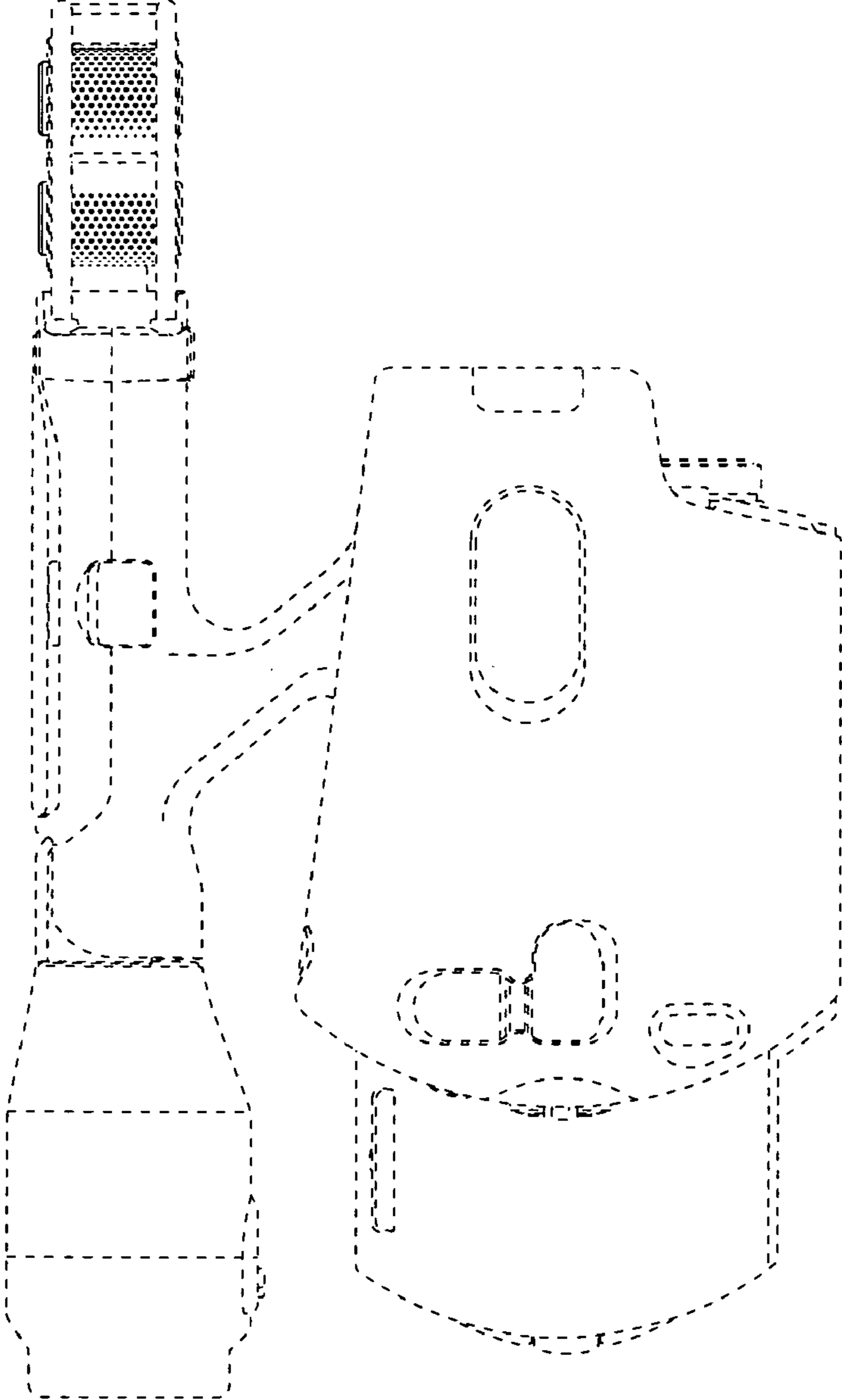


FIG.3

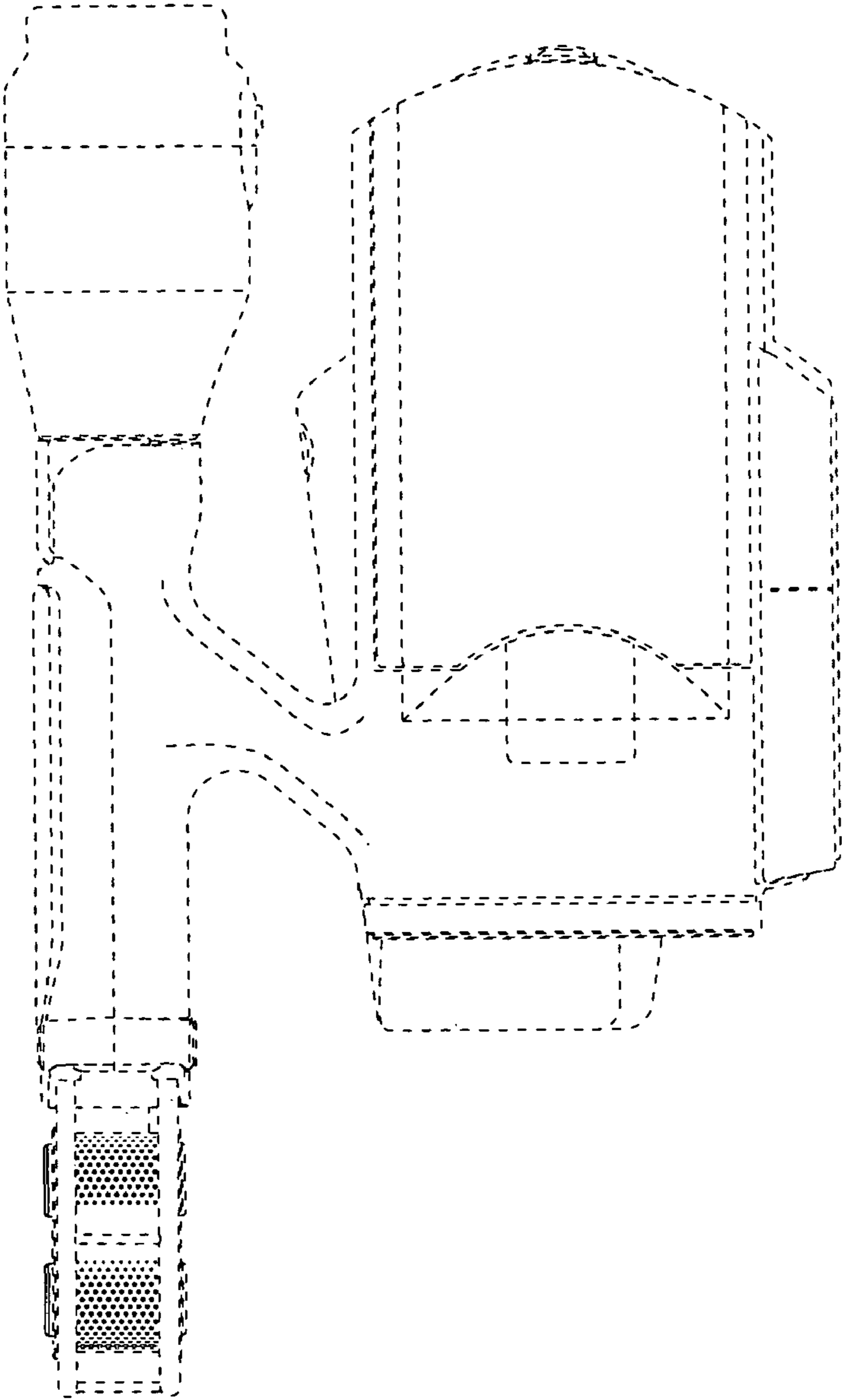


FIG.4

FIG.5

