

US00D667038S

(12) **United States Design Patent**  
**Goddard et al.**

(10) **Patent No.:** **US D667,038 S**

(45) **Date of Patent:** **\*\* Sep. 11, 2012**

(54) **CAMERA ENCLOSURE**

(75) Inventors: **Brad J. Goddard**, Rock Island, IL (US);  
**Mark A. Hann**, LeClaire, IA (US)

(73) Assignee: **Vizient, L.L.C.**, Bettendorf, IA (US)

(\*\*) Term: **14 Years**

(21) Appl. No.: **29/368,576**

(22) Filed: **Aug. 25, 2010**

(51) **LOC (9) Cl.** ..... **16-01**

(52) **U.S. Cl.** ..... **D16/200; D3/267**

(58) **Field of Classification Search** ..... D3/263,  
D3/267; D16/200, 204, 237, 218; 224/908,  
224/909; 396/535

See application file for complete search history.

(56) **References Cited**

**U.S. PATENT DOCUMENTS**

D223,360	S	*	4/1972	Ortega	.....	D16/200
D252,539	S	*	8/1979	Cohee	.....	D3/267
D271,540	S	*	11/1983	Williams	.....	D3/267
D299,682	S	*	2/1989	Winstead	.....	D3/267
6,092,929	A	*	7/2000	Moerman	.....	224/909
D601,341	S	*	10/2009	Arman	.....	D3/263

\* cited by examiner

*Primary Examiner* — Adir Aronovich

(74) *Attorney, Agent, or Firm* — Hamilton IP Law; Jay R. Hamilton; Charles A. Damschen

(57) **CLAIM**

The ornamental design for a camera enclosure, as shown and described.

**DESCRIPTION**

FIG. 1 is a front perspective view of a camera enclosure showing our new design with the enclosure flap closed;

FIG. 2 is a front perspective view thereof, with the enclosure flap open;

FIG. 3 is a top plan view thereof, with the enclosure flap open as shown in FIG. 2;

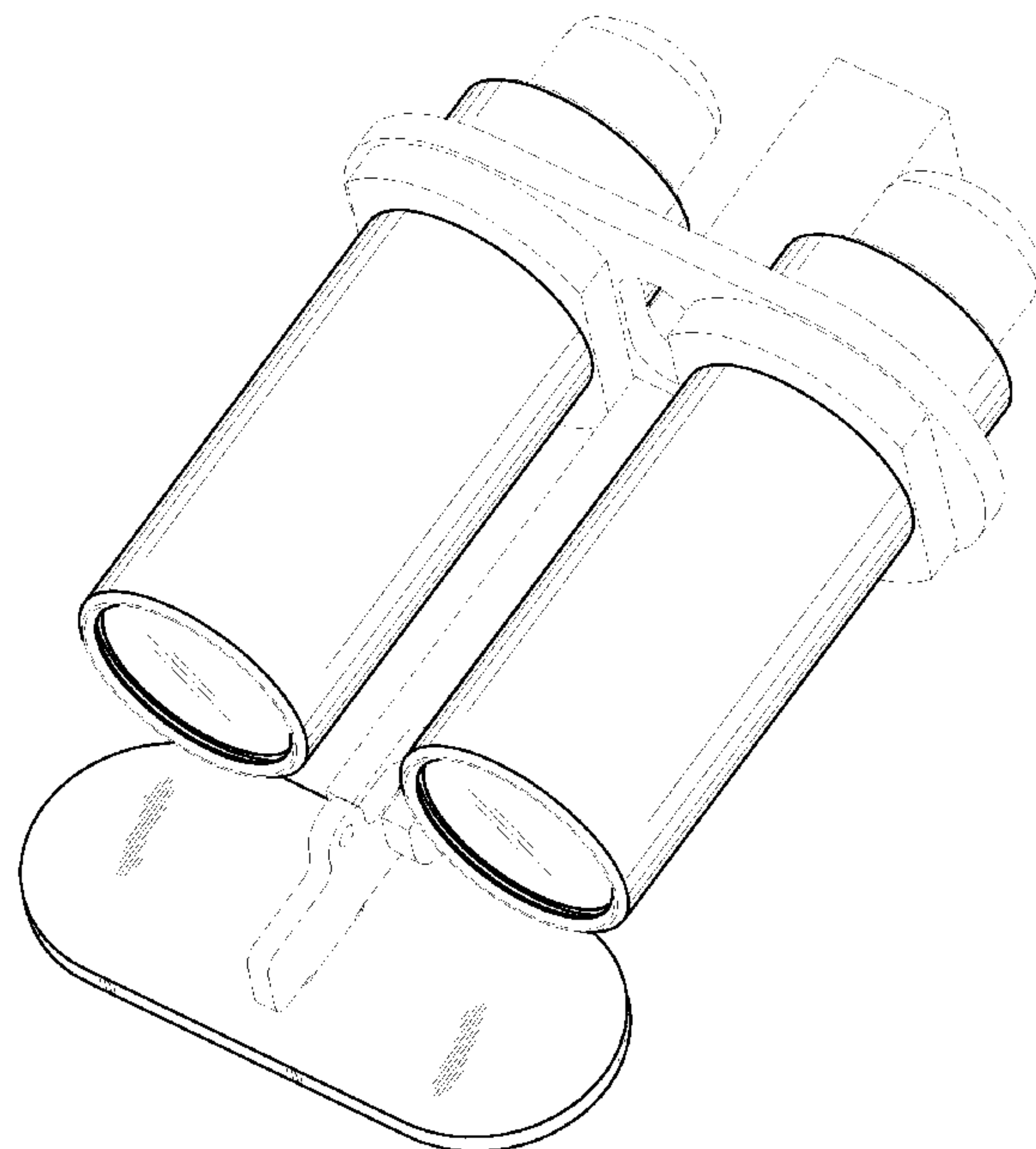
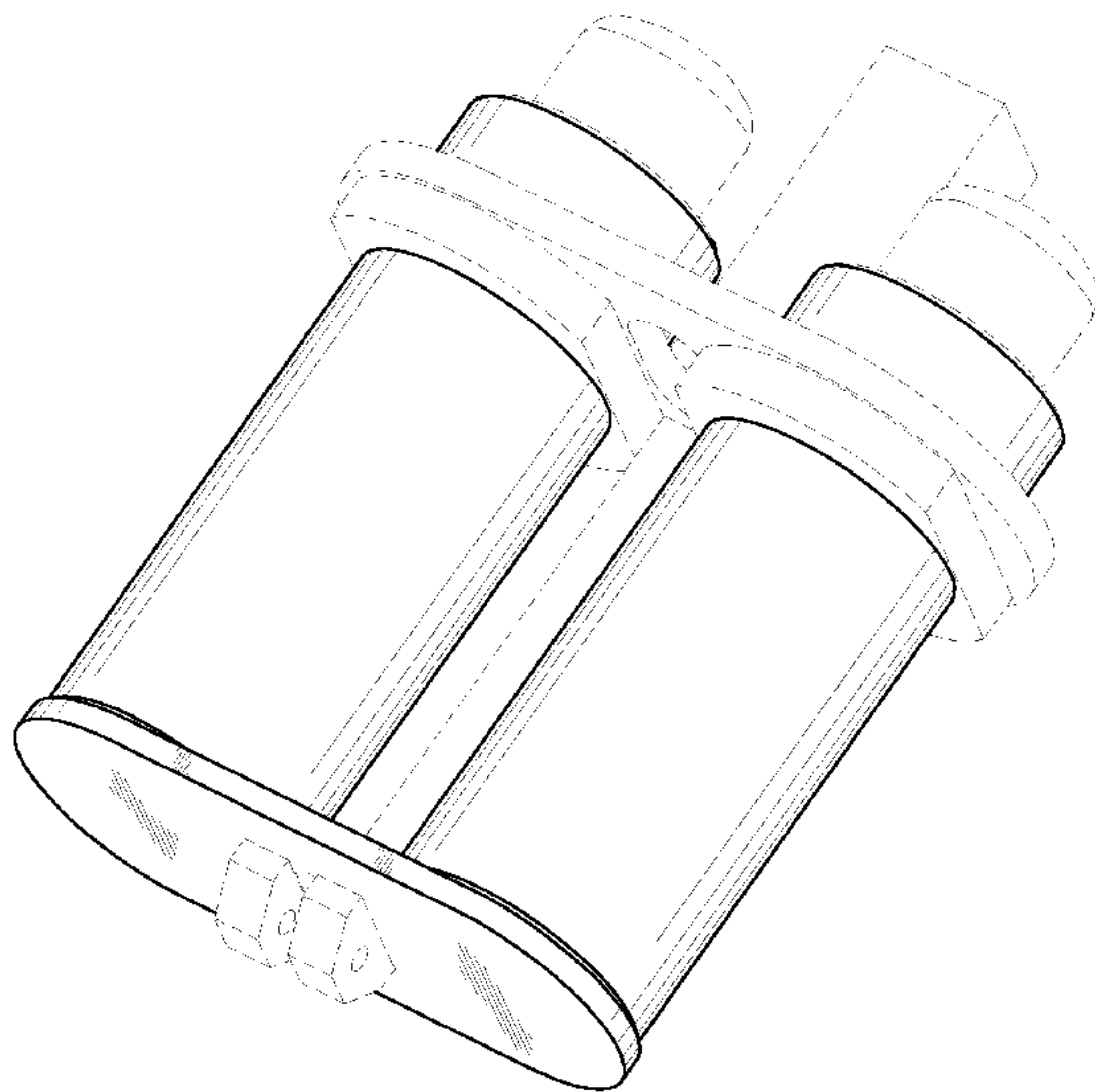
FIG. 4 is a side elevational view thereof, with the enclosure flap open as shown in FIG. 2;

FIG. 5 is a front end elevational view thereof, with the enclosure flap open as shown in FIG. 2; and,

FIG. 6 is a rear end elevational view thereof, with the enclosure flap closed as shown in FIG. 1.

The broken lines in the Figures are for illustrative purposes only and form no part of the claimed design.

**1 Claim, 5 Drawing Sheets**



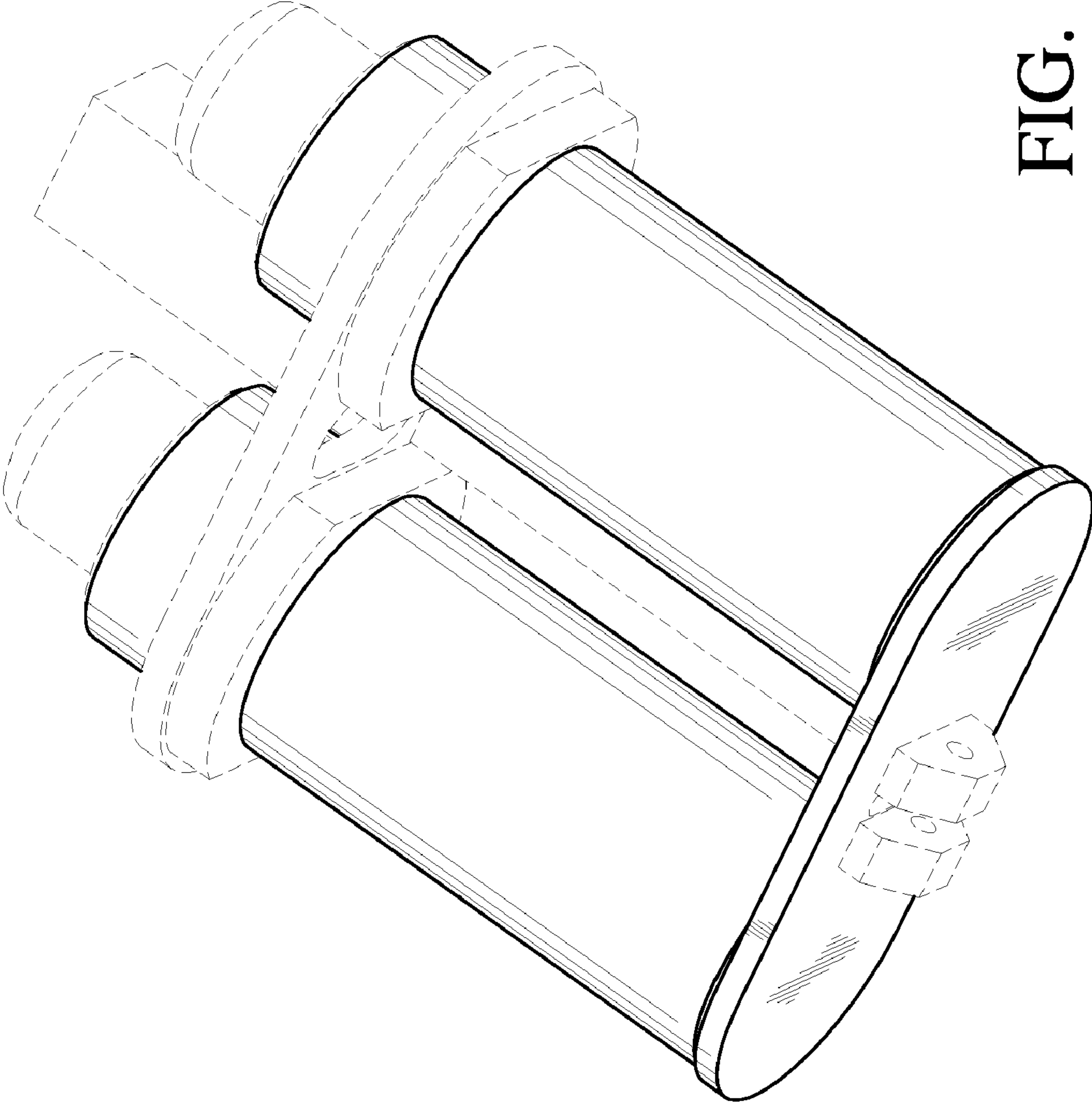


FIG. 1

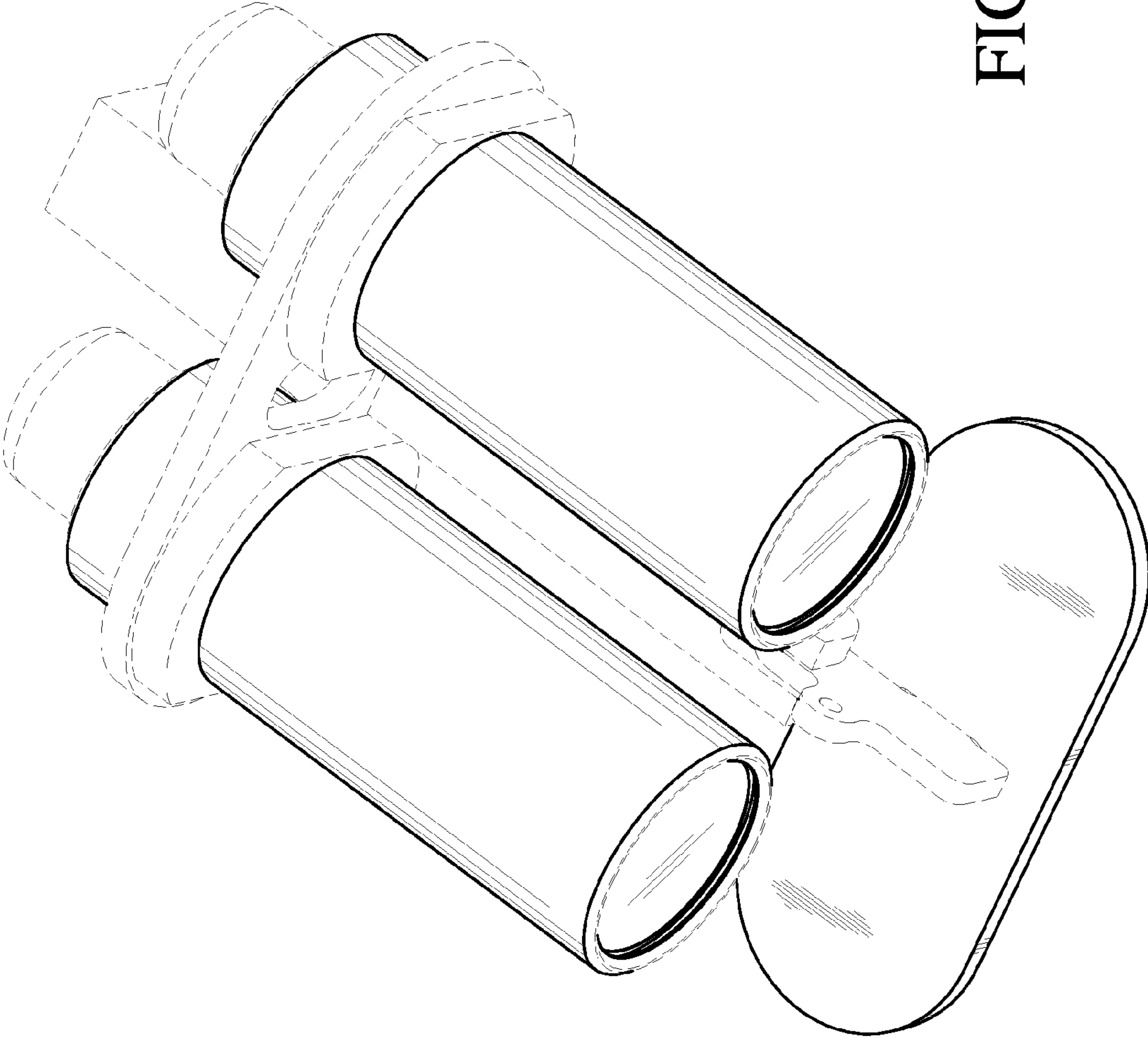


FIG. 2

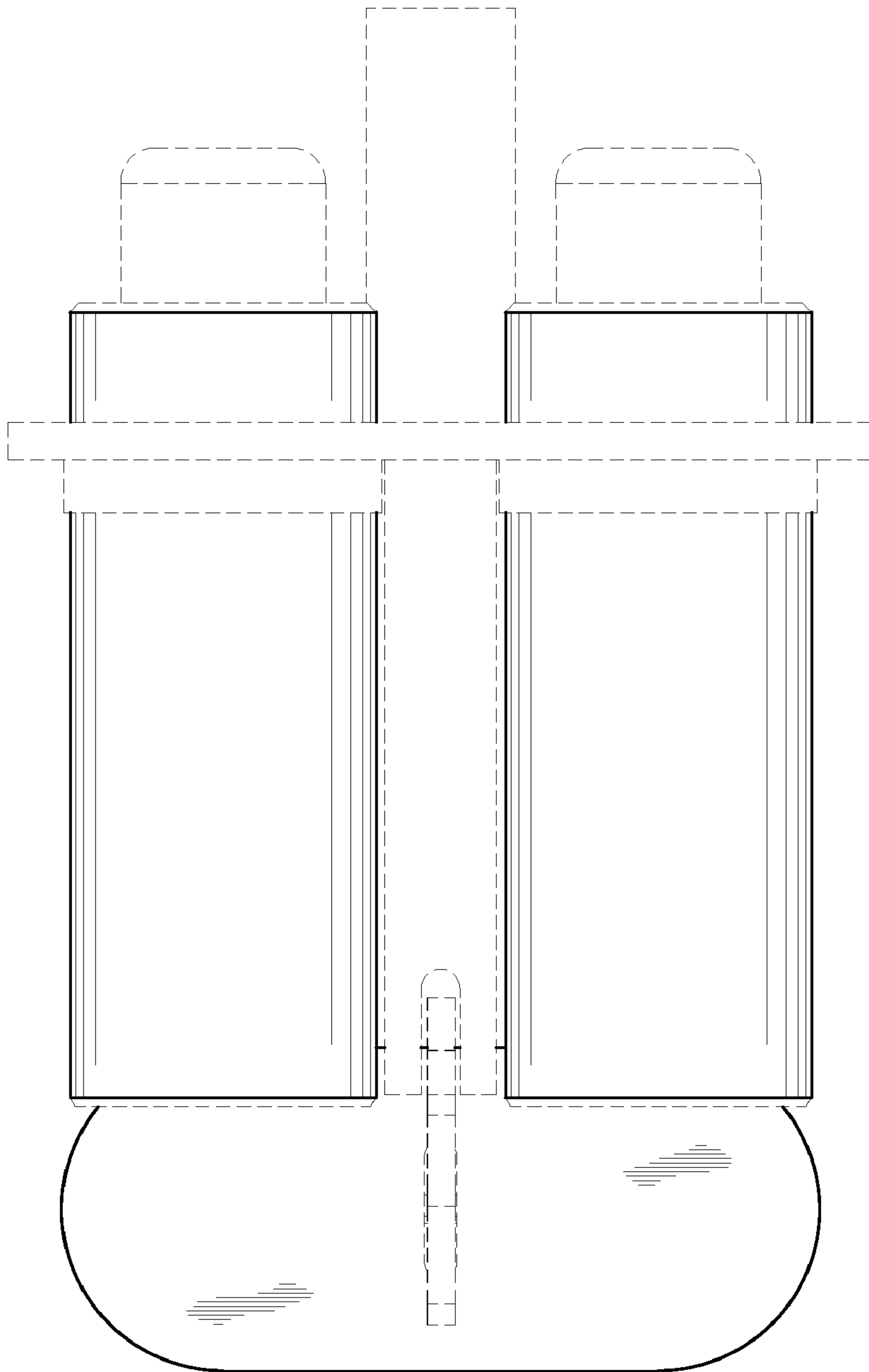


FIG. 3

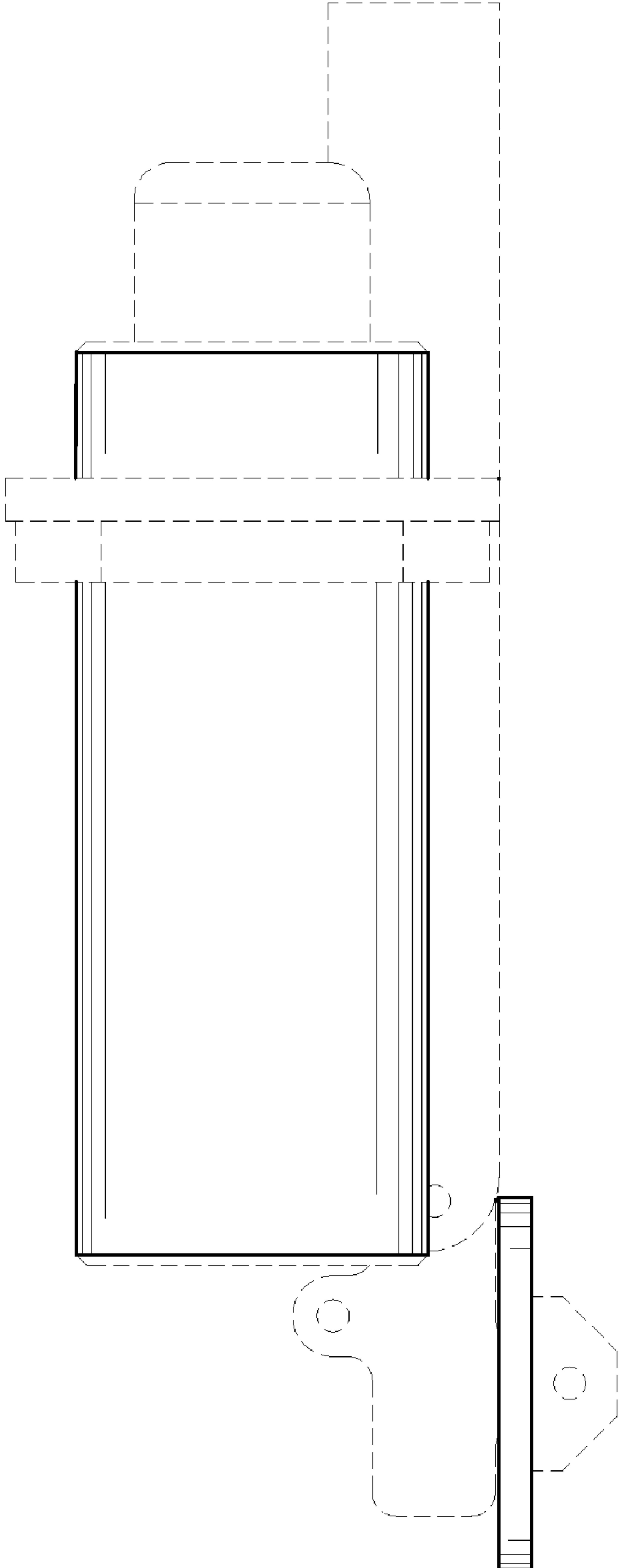


FIG. 4

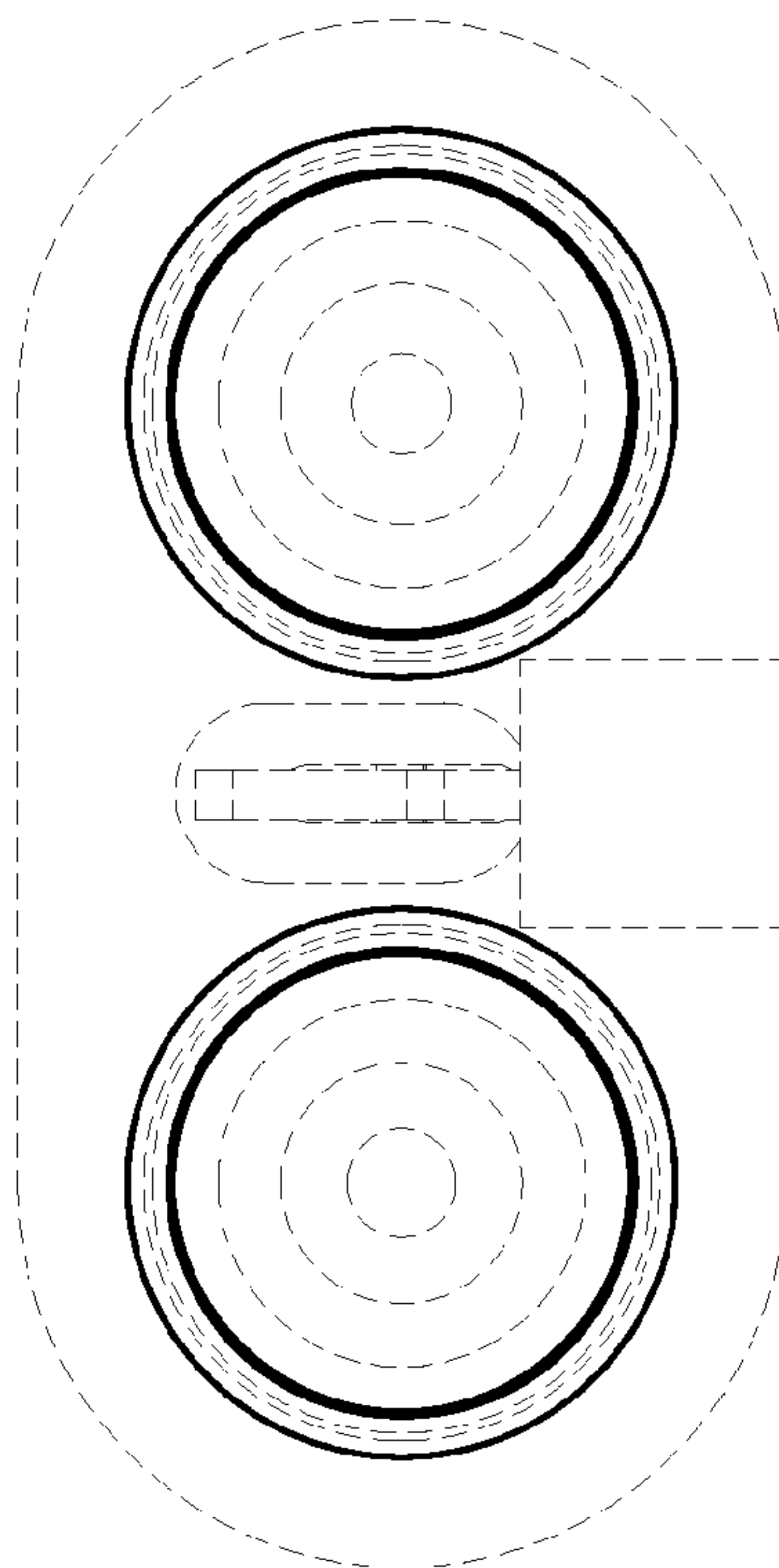


FIG. 6

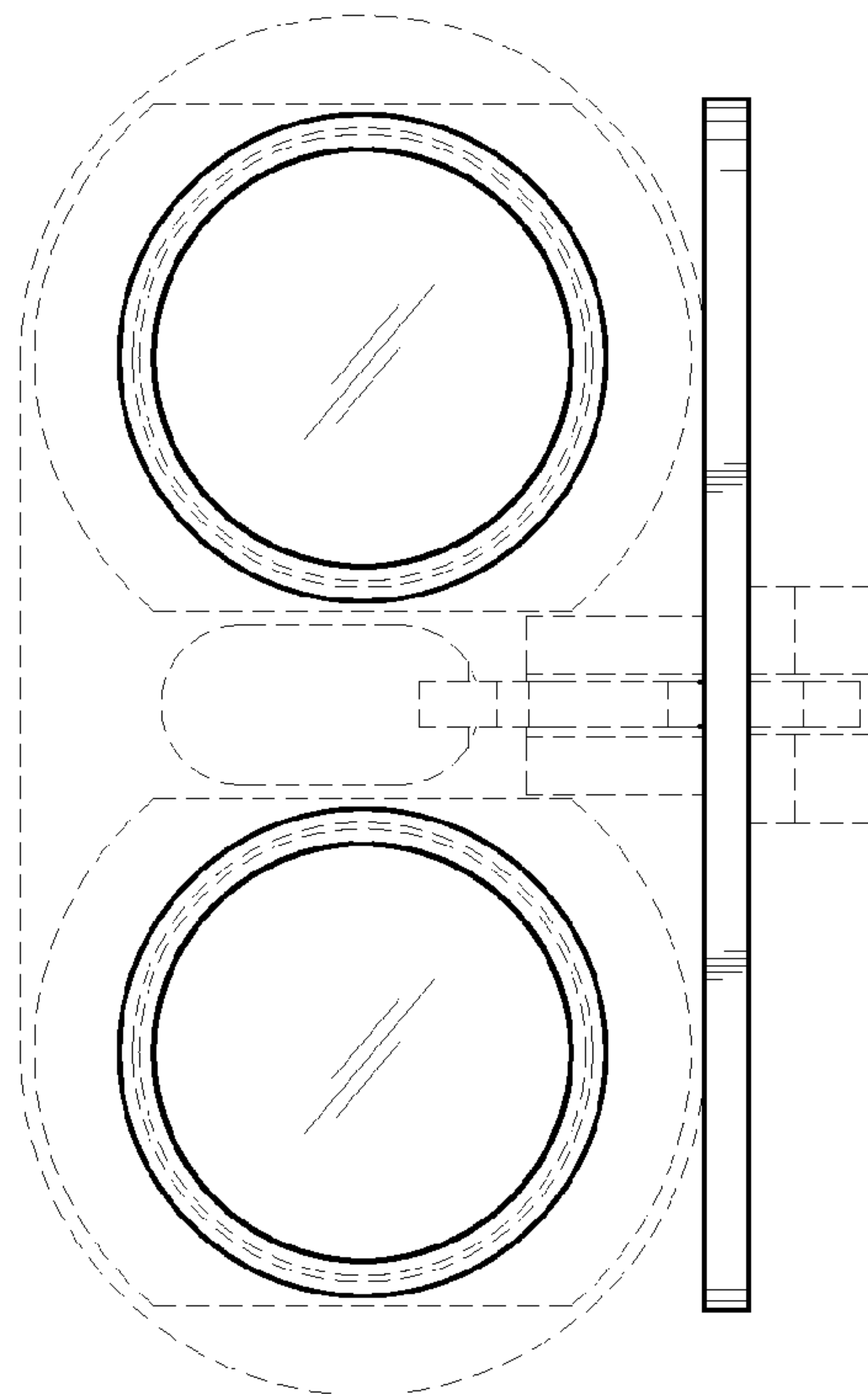


FIG. 5