

US00D667036S

(12) **United States Design Patent**
Myers et al.

(10) **Patent No.:** **US D667,036 S**
(45) **Date of Patent:** **** Sep. 11, 2012**

(54) **COVER SHIELD FOR OVERHEAD DOOR
OPENER TROLLEY RELEASE**

(75) Inventors: **Gary L. Myers**, Monee, IL (US);
Michael A. Cohen, Buffalo Grove, IL
(US)

(73) Assignee: **Belwith Products, LLC**, Grandville, MI
(US)

(**) Term: **14 Years**

(21) Appl. No.: **29/380,546**

(22) Filed: **Dec. 7, 2010**

(51) **LOC (9) Cl.** **15-99**

(52) **U.S. Cl.** **D15/199**

(58) **Field of Classification Search** D15/148,
D15/199; D8/354; 49/197-206, 26, 139,
49/280, 362; 160/188-201

See application file for complete search history.

(56) **References Cited**

U.S. PATENT DOCUMENTS

4,827,667	A *	5/1989	Jarvis	49/280
5,508,511	A *	4/1996	Zur et al.	250/222.1
5,535,802	A *	7/1996	Chambers	160/113
5,588,257	A	12/1996	Duhame et al.	
5,699,065	A	12/1997	Murray	
5,752,343	A *	5/1998	Quintus	49/29
5,898,397	A	4/1999	Murray	
D413,055	S *	8/1999	Mullet et al.	D8/330
D432,551	S *	10/2000	Luke	D15/199
D434,054	S *	11/2000	Luke	D15/199
D466,141	S *	11/2002	Mullet et al.	D15/148
D469,114	S *	1/2003	Coullahan et al.	D15/148
D472,568	S *	4/2003	Mullet et al.	D15/199
D474,215	S *	5/2003	Mullet et al.	D15/199
6,595,569	B1 *	7/2003	McKinney	296/51
6,662,499	B1 *	12/2003	Shin et al.	49/26
D486,841	S *	2/2004	Reedy et al.	D15/199
D492,333	S *	6/2004	Guzman et al.	D15/148
D506,485	S *	6/2005	Guzman et al.	D15/148
D513,022	S *	12/2005	Moe	D15/148

D519,138	S *	4/2006	Guzman et al.	D15/148
D581,437	S *	11/2008	Randazzo et al.	D15/148
D608,805	S *	1/2010	Gantner	D15/199
D643,449	S *	8/2011	Lan	D15/143
2004/0020612	A1 *	2/2004	Bosio	160/188
2006/0196119	A1 *	9/2006	Hormann	49/26

OTHER PUBLICATIONS

Operation and Maintenance Manual, Article entitled "Genie AC Powered Chain Driven Door Opener;" 14 pages.

* cited by examiner

Primary Examiner — Mark Goodwin

(74) Attorney, Agent, or Firm — Leydig, Voit & Mayer, Ltd.

(57) **CLAIM**

The ornamental design for a cover shield for overhead door opener trolley release, as shown and described.

DESCRIPTION

FIG. 1 is a top, front, right side perspective view of the cover shield for overhead door opener trolley release showing our new design;

FIG. 2 is a front, left side and bottom perspective view thereof;

FIG. 3 is an enlarged front right side, and top perspective view thereof;

FIG. 4 is a rear, left side and top perspective view thereof;

FIG. 5 is a bottom plan view thereof;

FIG. 6 is a top plan view thereof;

FIG. 7 is a left side elevational view thereof;

FIG. 8 is a right side elevational view thereof;

FIG. 9 is a front end elevational view thereof; and,

FIG. 10 is a rear end elevational view thereof.

The broken line representations are for purposes of illustration only and form no part of the claimed design.

In a preferred embodiment, the nature of this product is as a cover primarily useful as a shield to prevent outside access to the release of the door opener trolley.

1 Claim, 7 Drawing Sheets

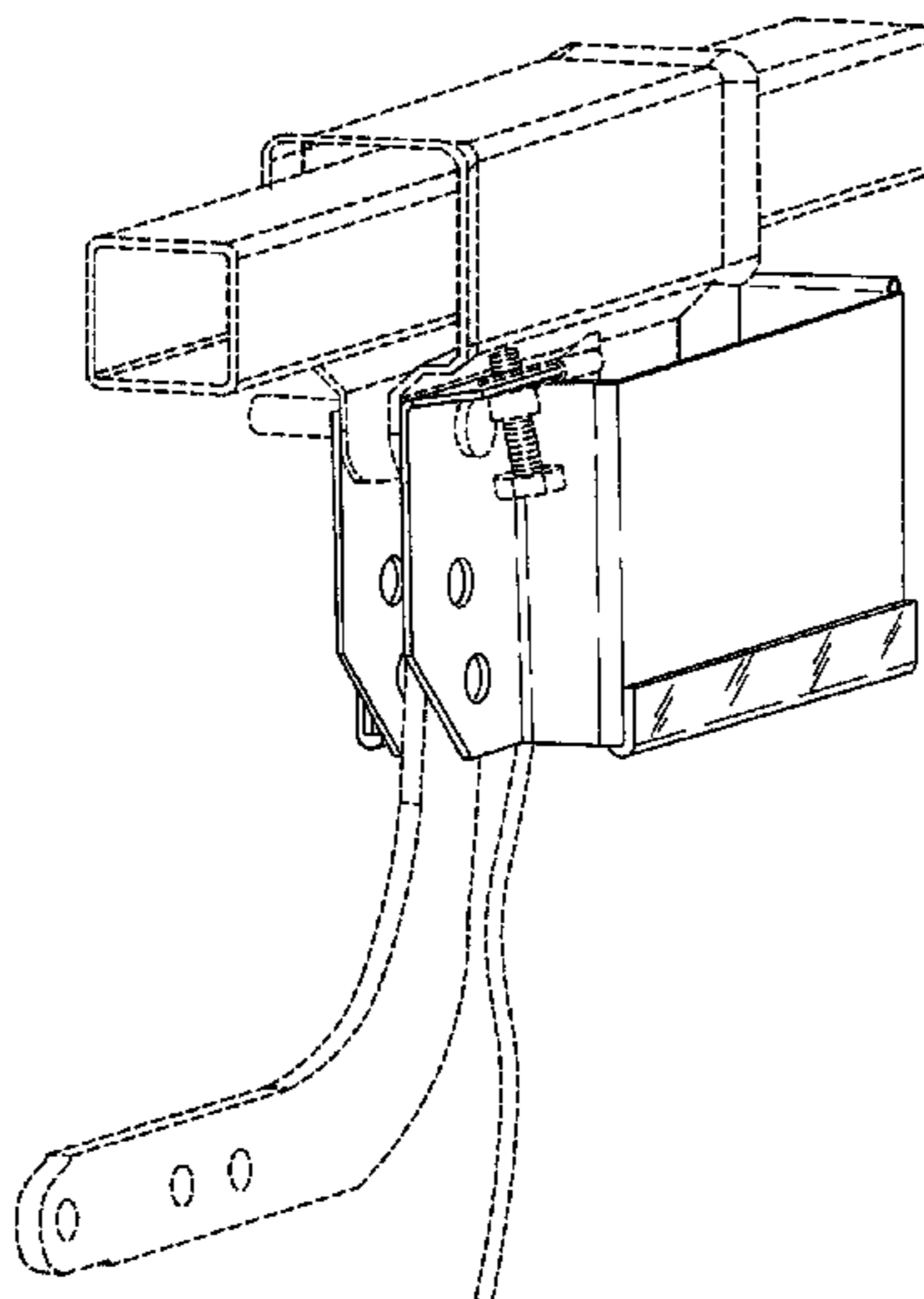


FIG. 1

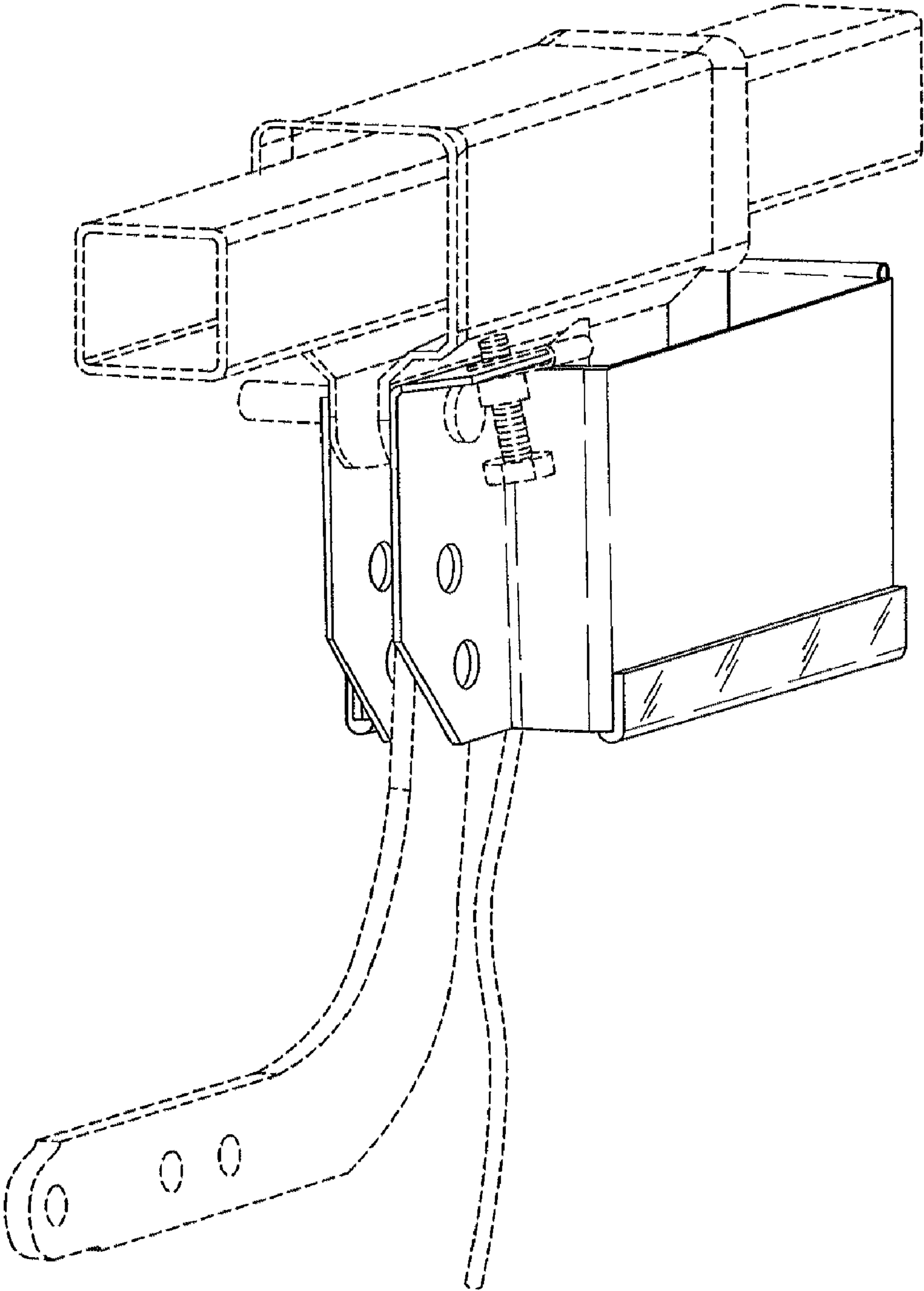


FIG. 2

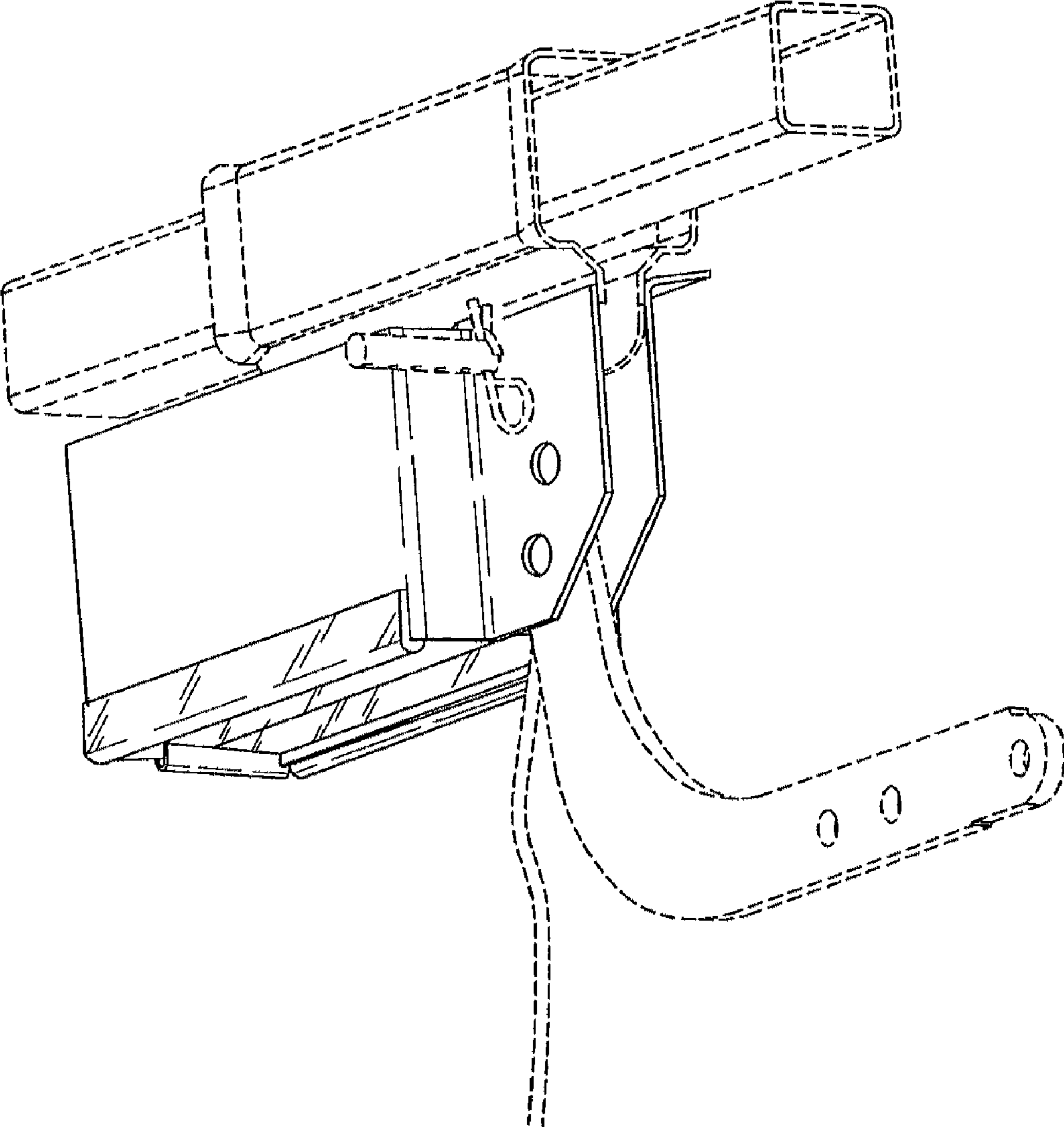


FIG. 3

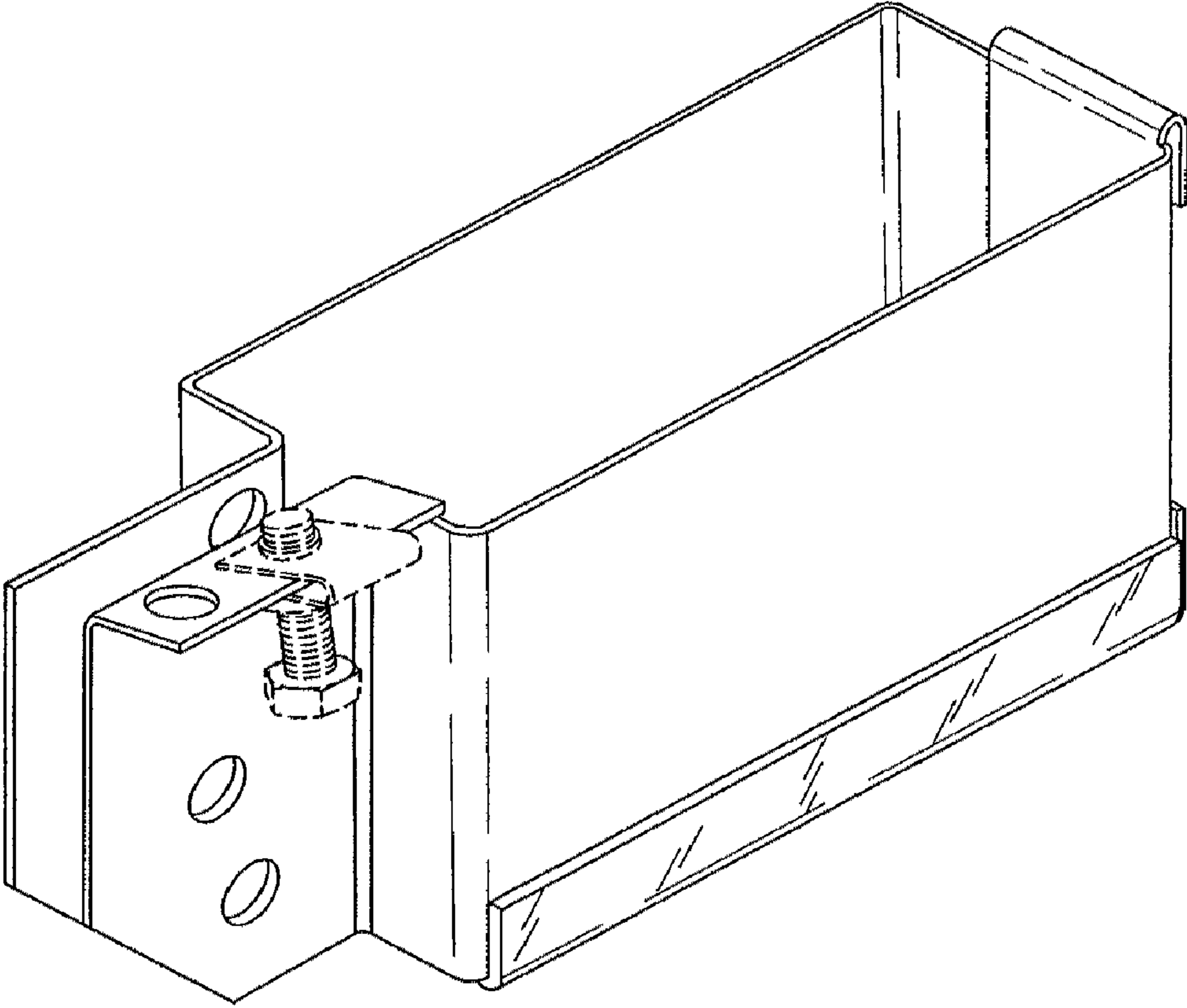


FIG. 4

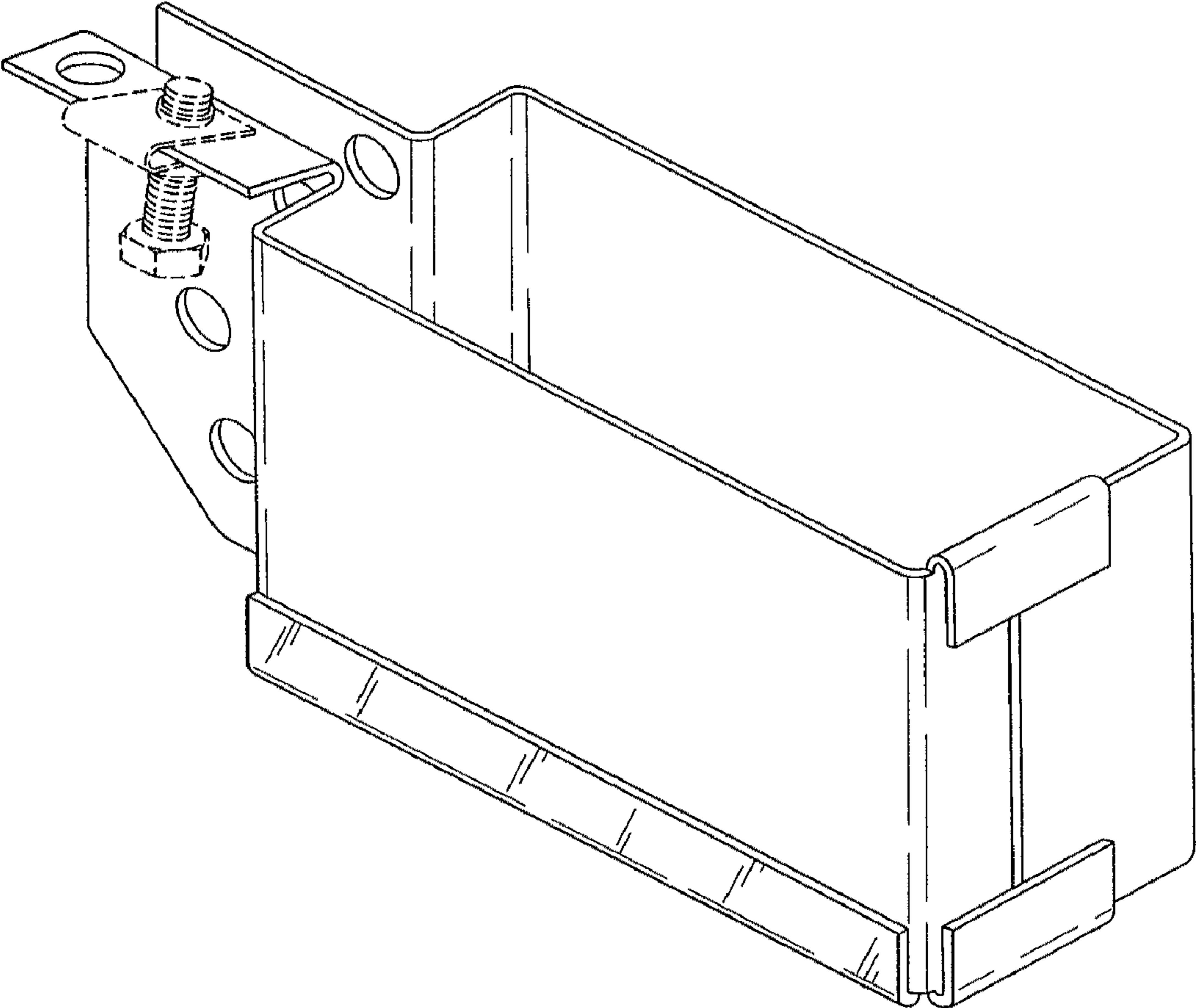


FIG. 5

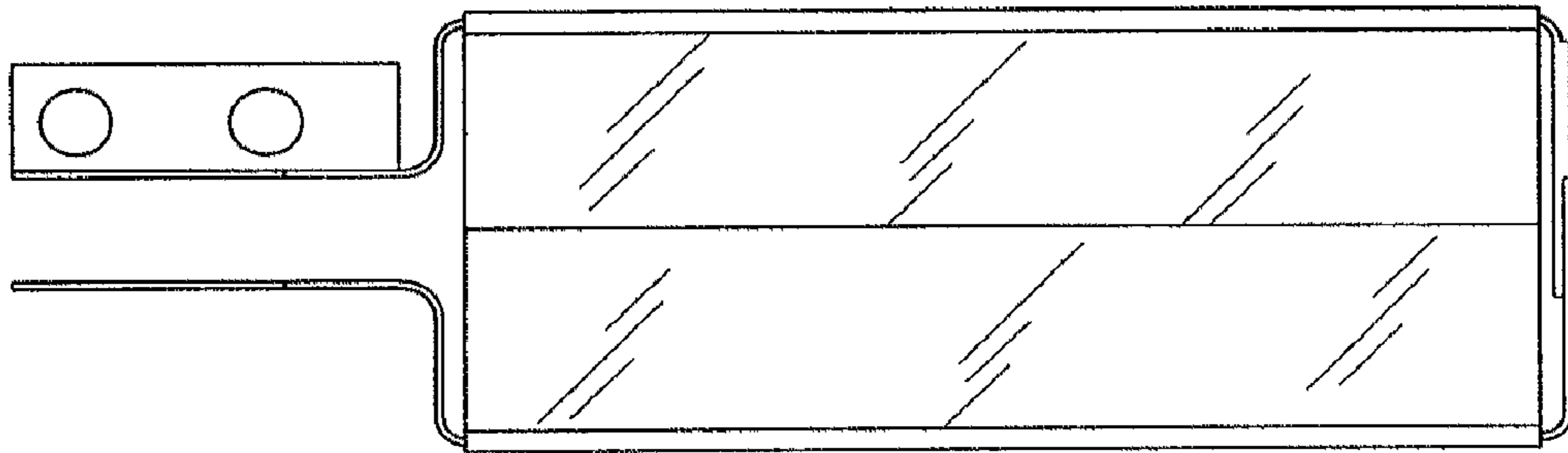


FIG. 6

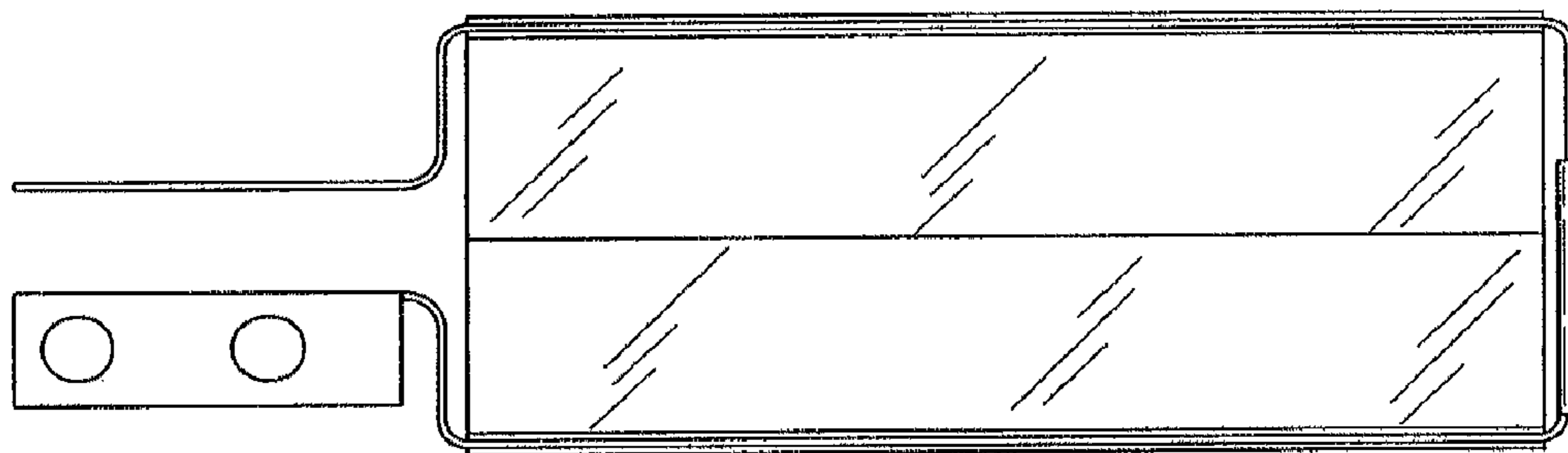


FIG. 7

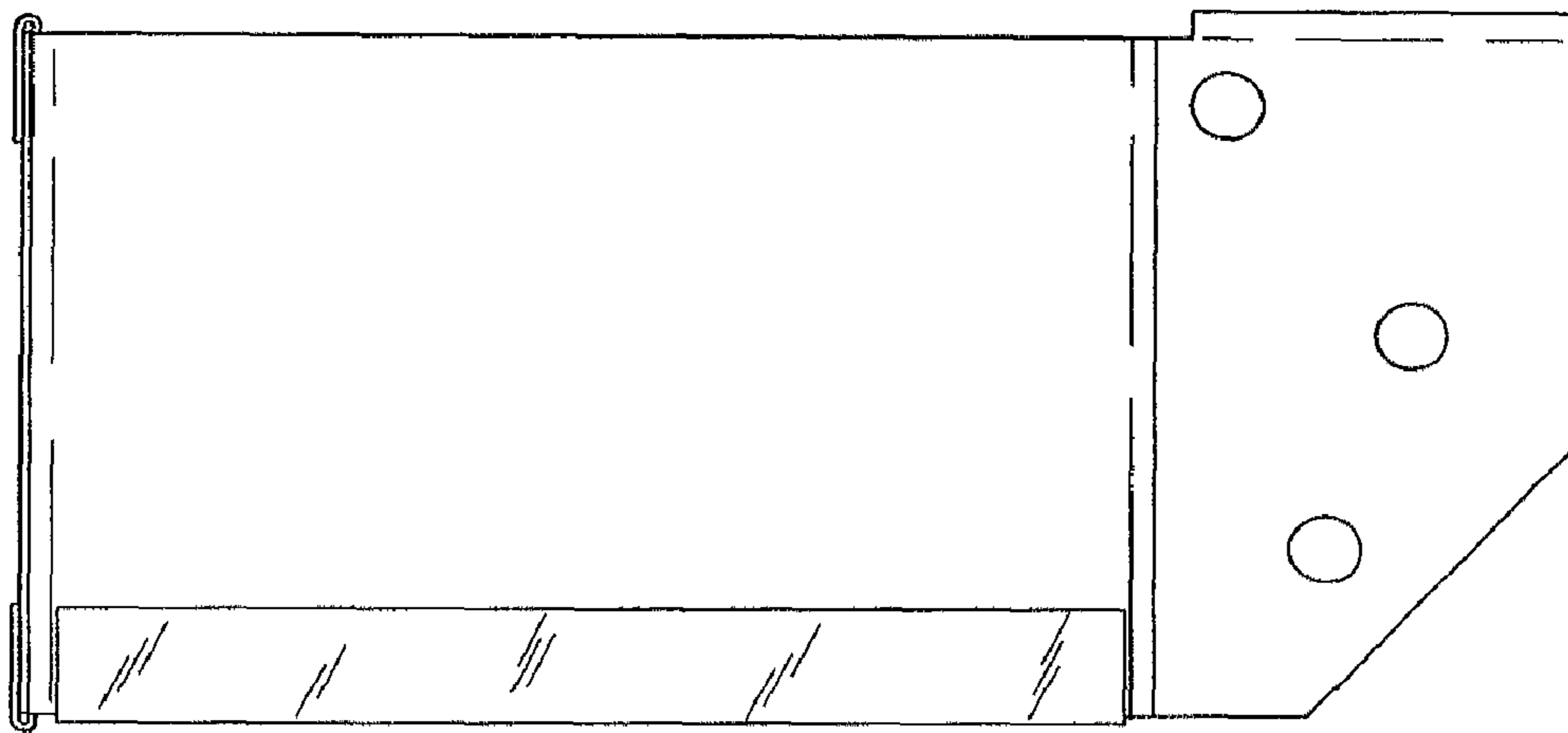


FIG. 8

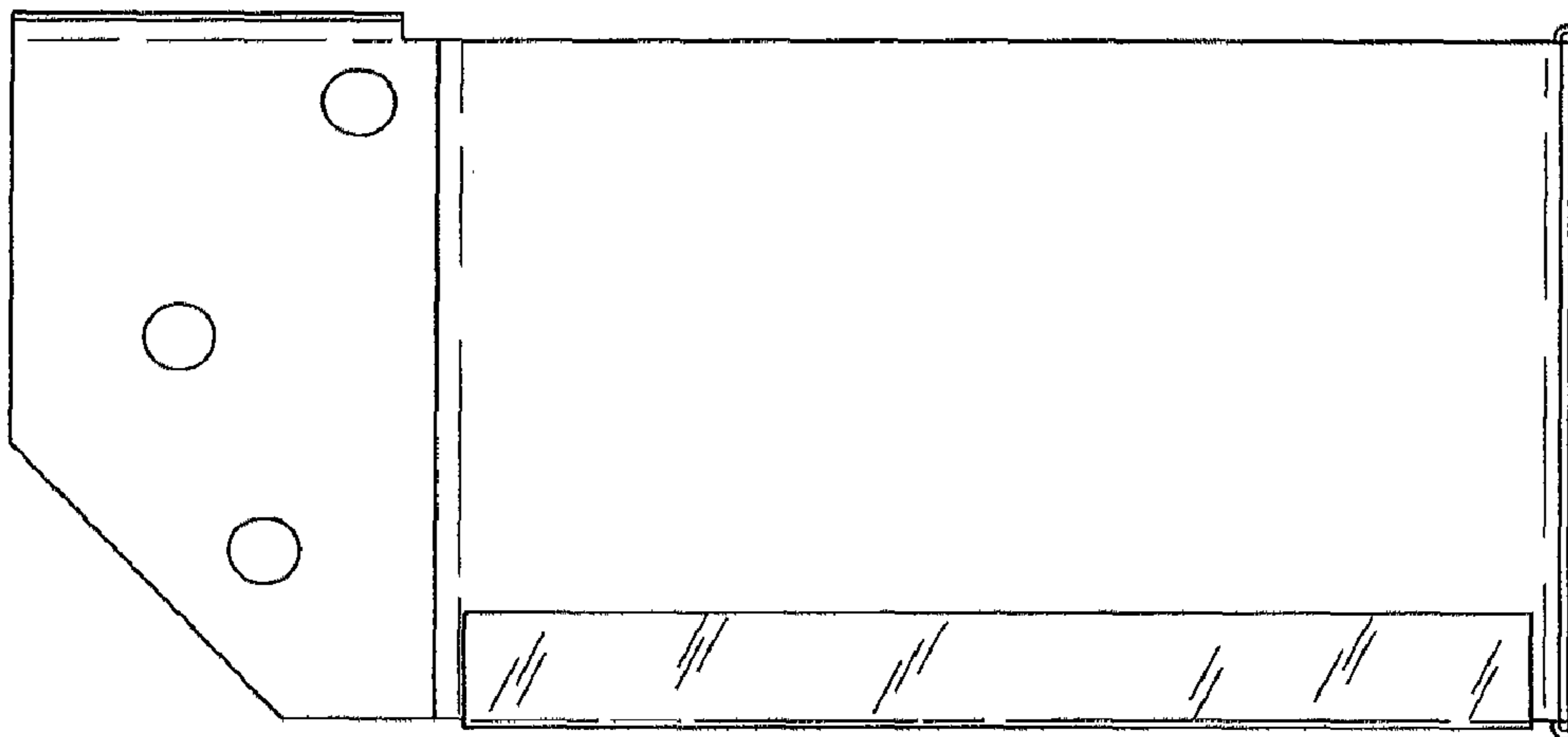


FIG. 9

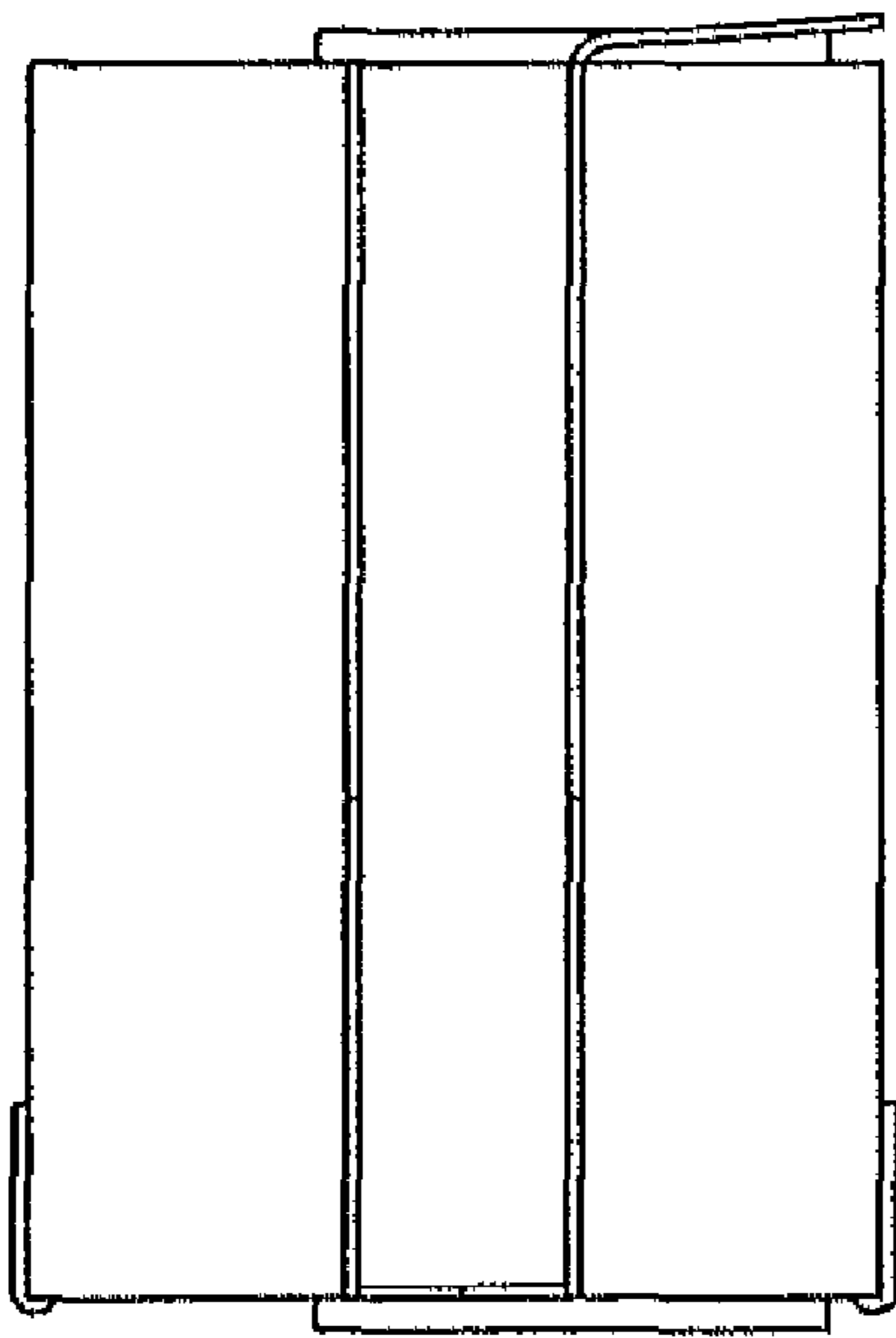


FIG. 10

