



US00D667035S

(12) **United States Design Patent**
Rapp

(10) **Patent No.:** **US D667,035 S**

(45) **Date of Patent:** **** Sep. 11, 2012**

(54) **AIR CUSHION PACKAGING MACHINE**

(75) Inventor: **Marc Rapp**, Gerlingen (DE)

(73) Assignee: **LOGIN Corporate Investment GmbH & Co. KG** (DE)

(**) Term: **14 Years**

(21) Appl. No.: **29/414,505**

(22) Filed: **Feb. 29, 2012**

(51) **LOC (9) Cl.** **15-99**

(52) **U.S. Cl.** **D15/145**

(58) **Field of Classification Search** D15/122,
D15/145, 146; 53/167, 202, 203, 266.1,
53/279, 284.5, 285, 370.7, 370.9, 381.1,
53/426, 558, 563, 565; 100/4, 8, 25, 26,
100/29, 32; 493/184

See application file for complete search history.

(56) **References Cited**

U.S. PATENT DOCUMENTS

D321,533 S * 11/1991 Gough D15/146
D518,497 S * 4/2006 Muraoka et al. D15/199
D527,046 S * 8/2006 Friedrich et al. D18/51

D532,043 S * 11/2006 Park et al. D18/50
D579,490 S * 10/2008 Laidlaw et al. D18/55
D579,973 S * 11/2008 Park et al. D18/55
D642,212 S * 7/2011 Terenzio et al. D18/55
D650,388 S * 12/2011 Hidaka D14/422
2008/0120944 A1* 5/2008 Rimondi 53/285
2008/0134634 A1* 6/2008 Monnier et al. 53/167

* cited by examiner

Primary Examiner — Patricia Palasik

(74) *Attorney, Agent, or Firm* — Richard M. Klein; Fay Sharpe LLP

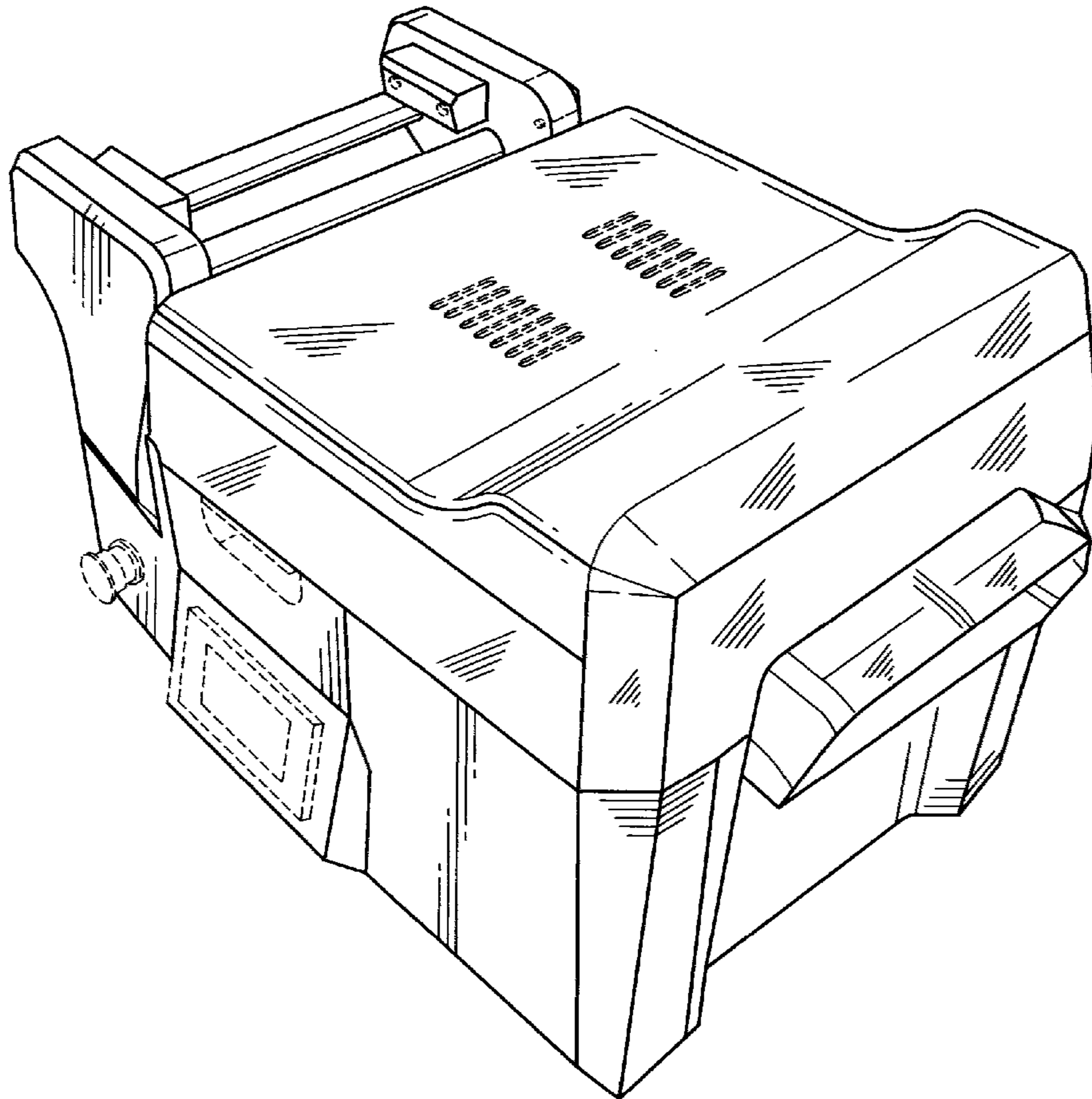
(57) **CLAIM**

The ornamental design for an air cushion packaging machine, as shown and described.

DESCRIPTION

FIG. 1 is an upper front left perspective view;
FIG. 2 is a upper rear right perspective view;
FIG. 3 is a lower front left perspective view;
FIG. 4 is an upper right side view;
FIG. 5 is an upper rear left perspective view;
FIG. 6 is a lower front right perspective view; and,
FIG. 7 is a left side view.

1 Claim, 7 Drawing Sheets



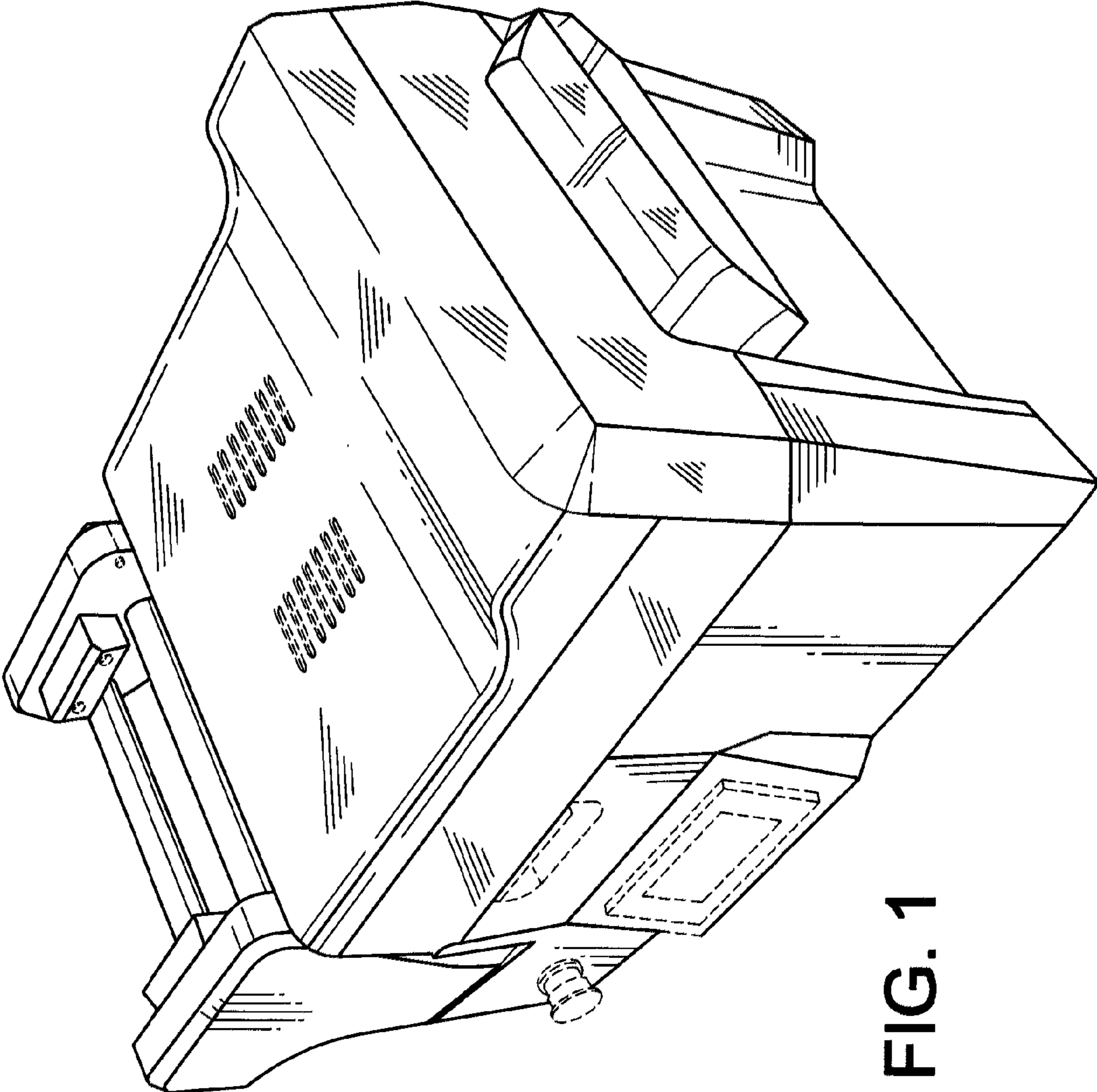


FIG. 1

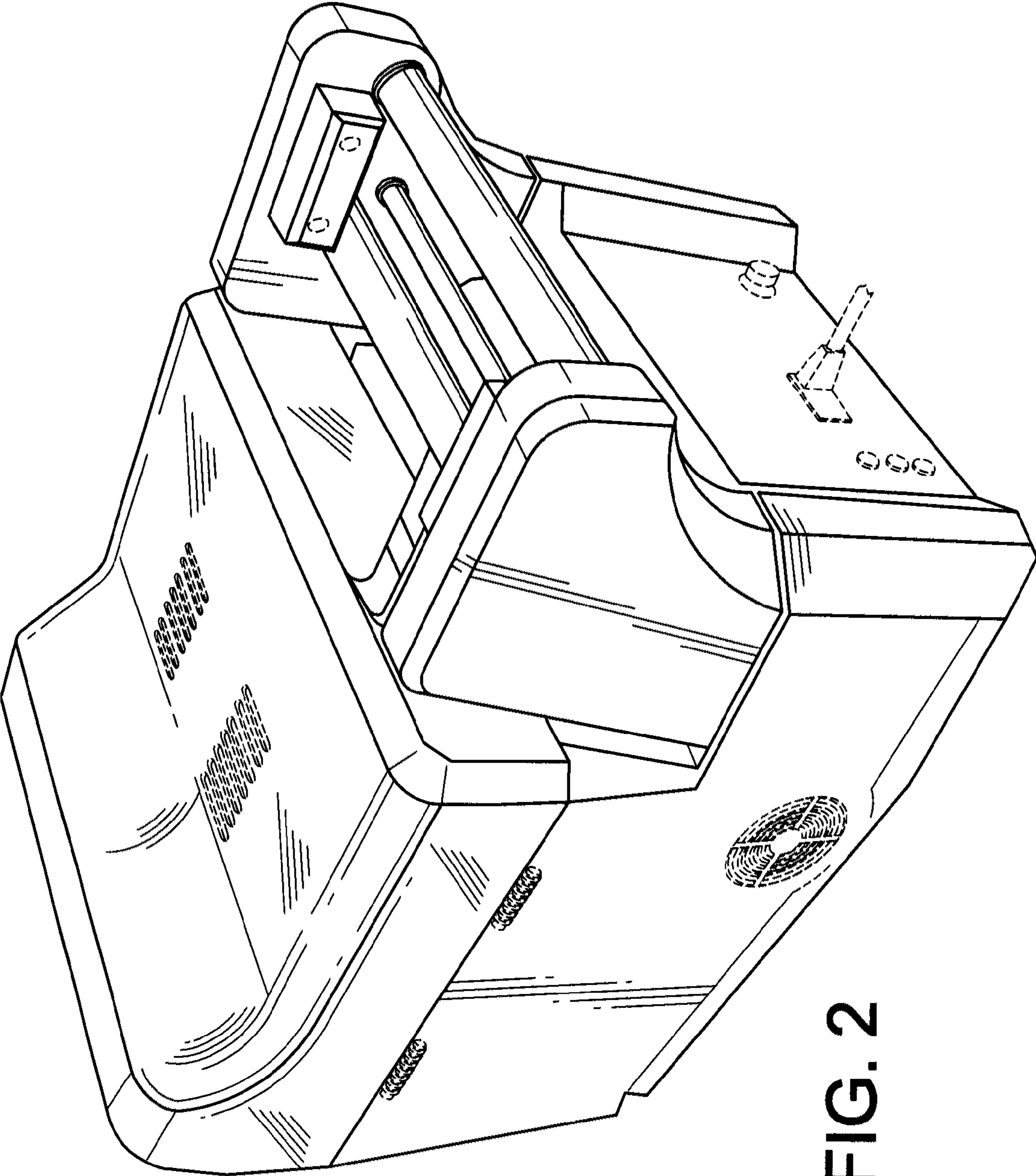


FIG. 2

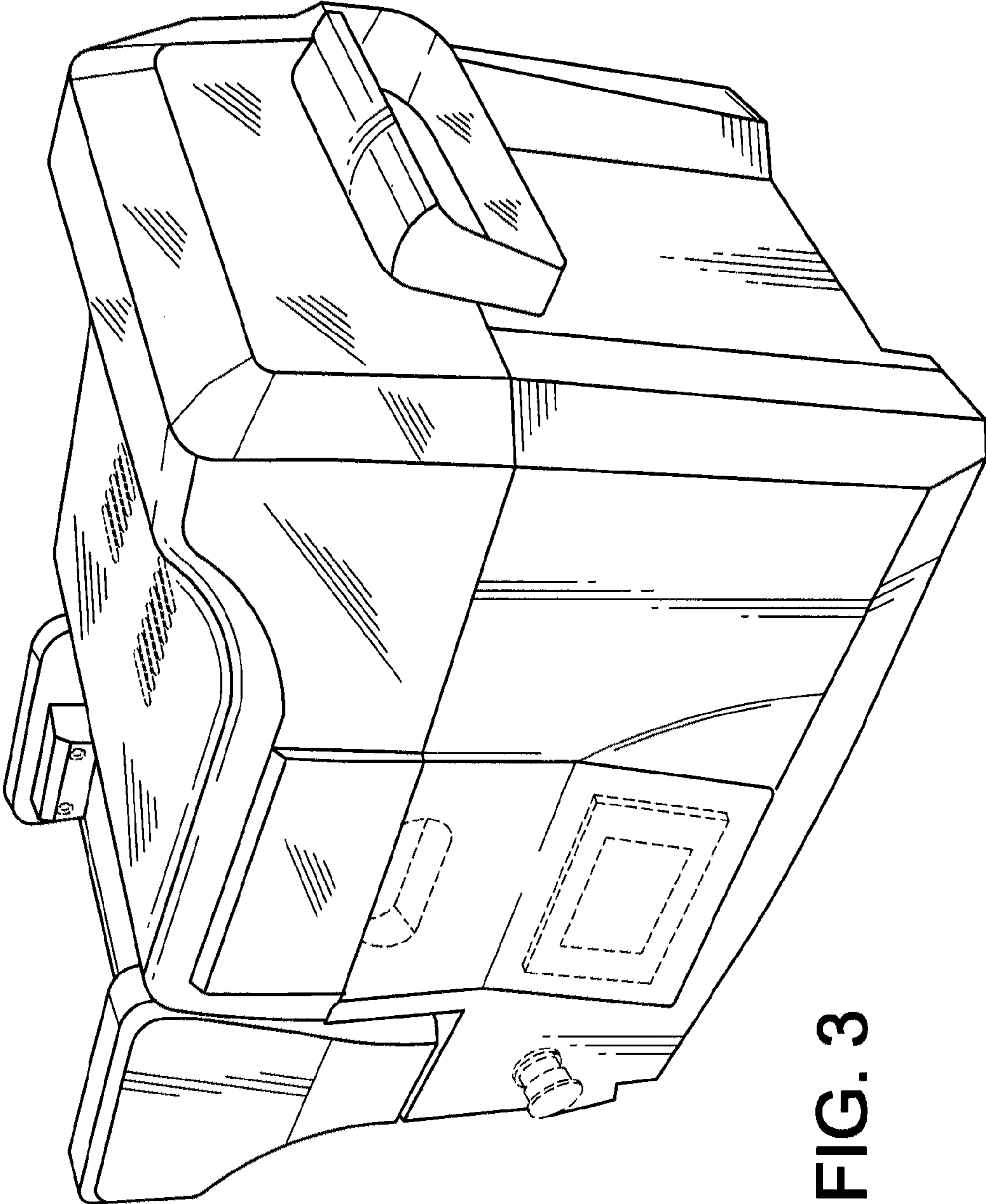


FIG. 3

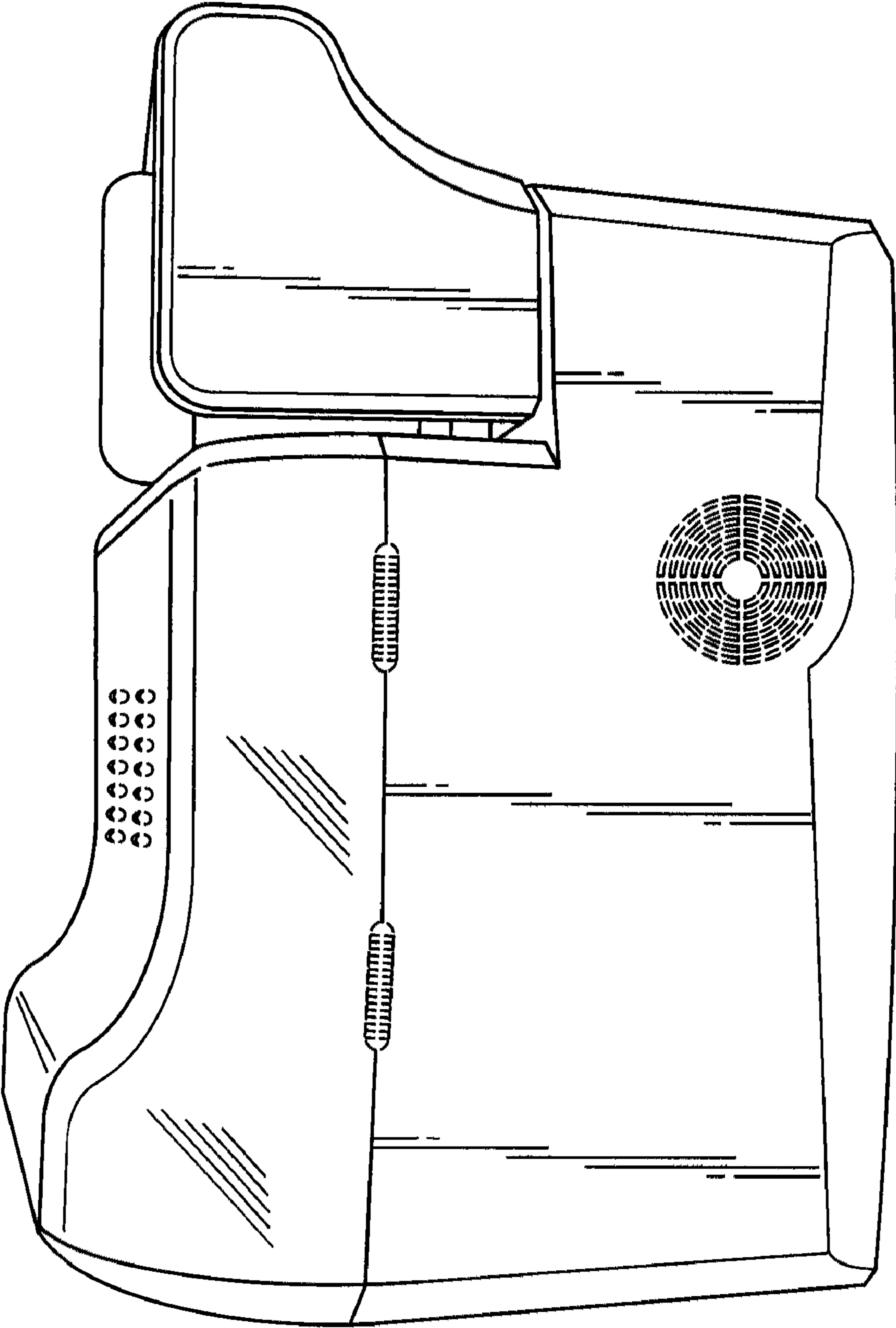


FIG. 4

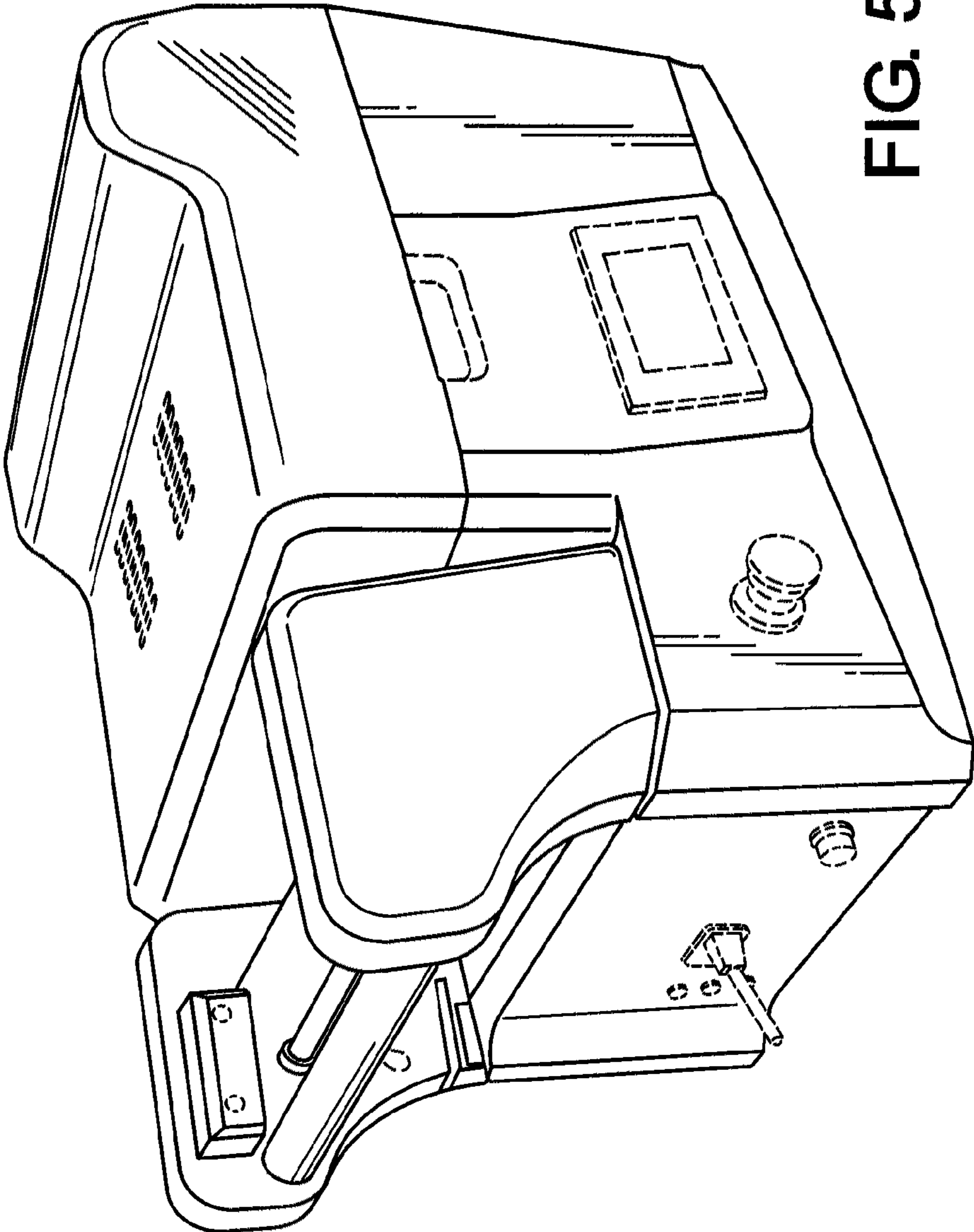


FIG. 5

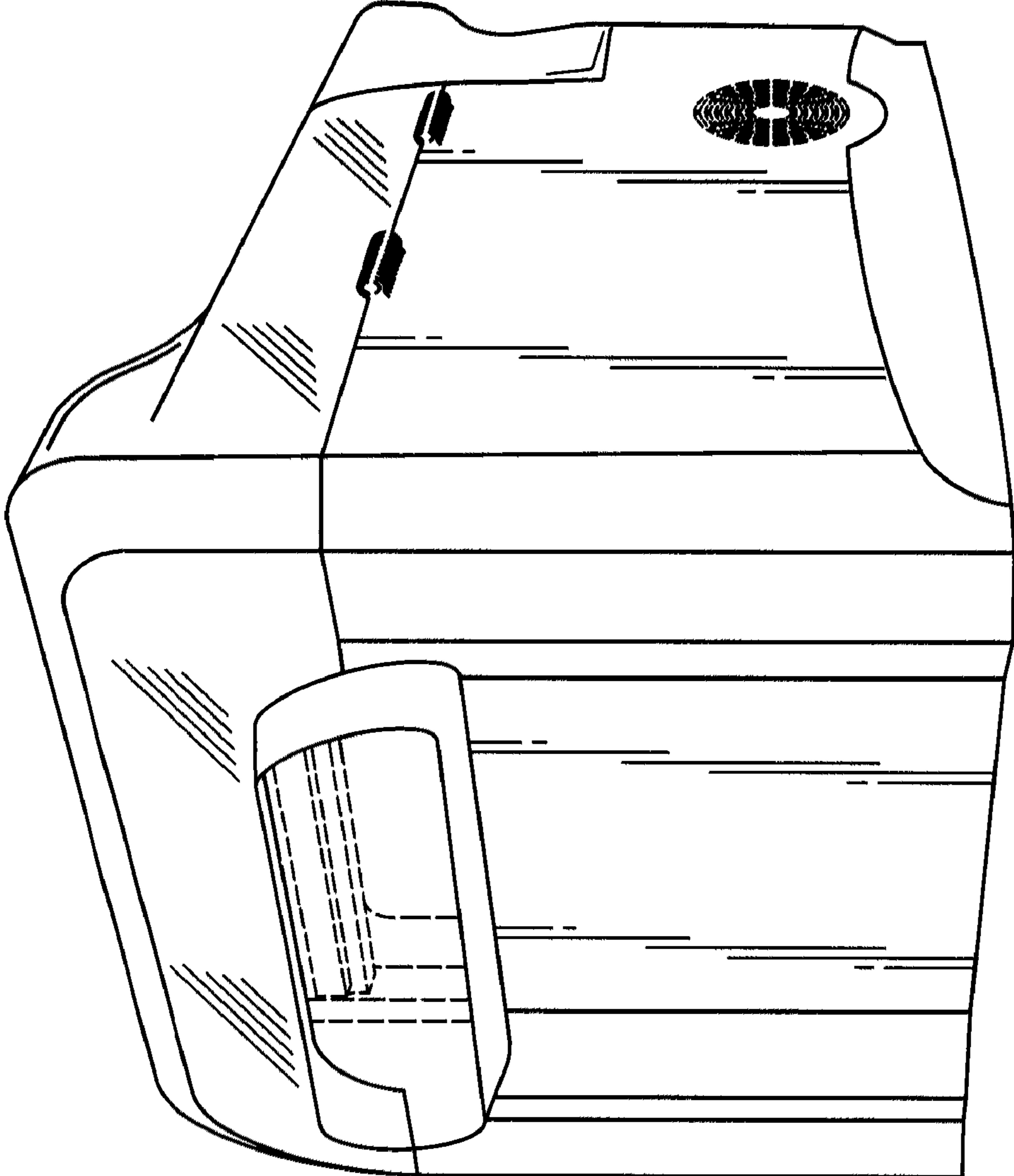


FIG. 6

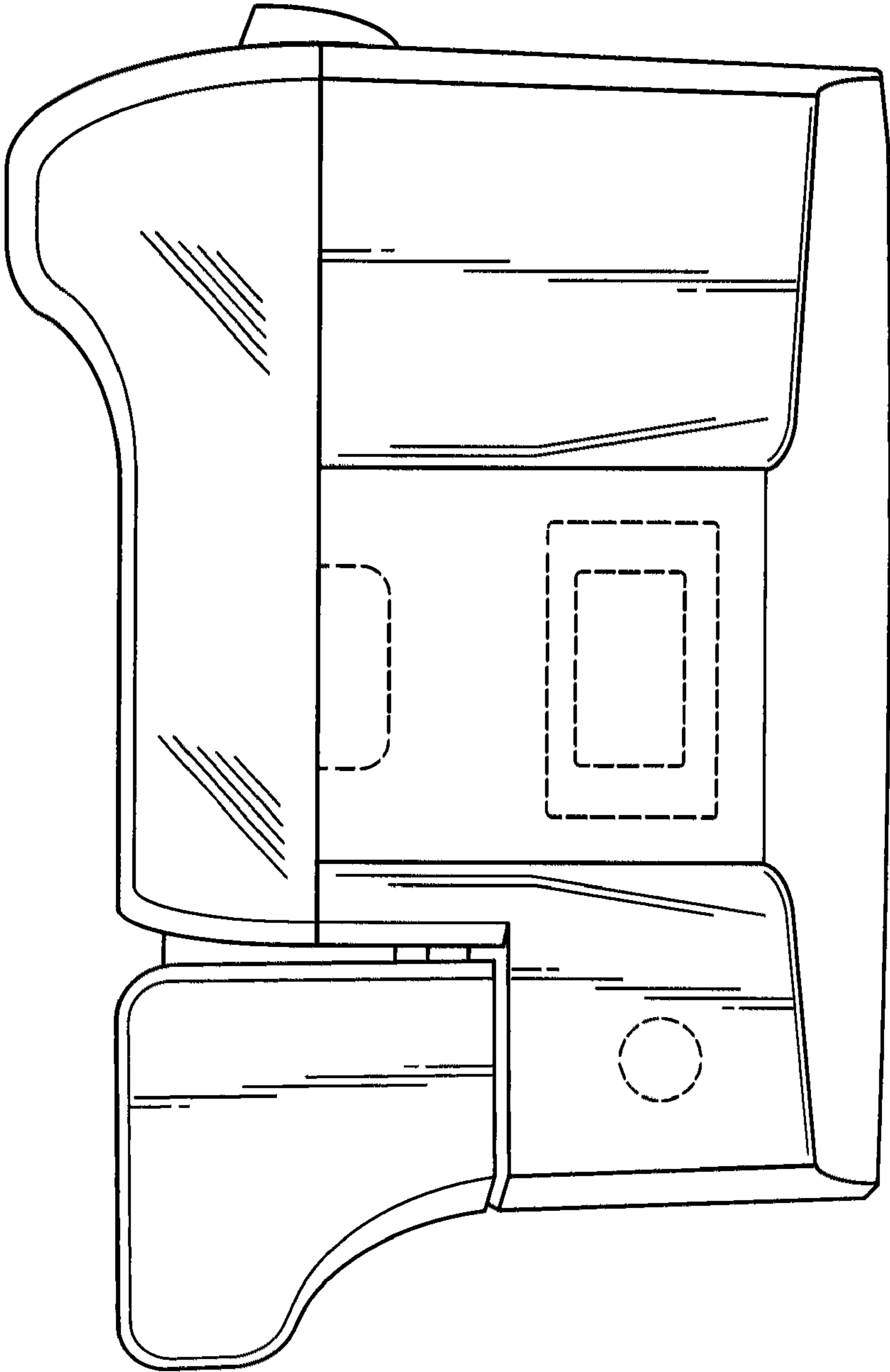


FIG. 7