

US00D667032S

(12) **United States Design Patent**
Egami

(10) **Patent No.:** **US D667,032 S**

(45) **Date of Patent:** **** Sep. 11, 2012**

(54) **MACHINING CENTER**

(75) Inventor: **Keiichiro Egami**, Nagoya (JP)

(73) Assignee: **Brother Industries, Ltd.**, Nagoya (JP)

(**) Term: **14 Years**

(21) Appl. No.: **29/416,559**

(22) Filed: **Mar. 23, 2012**

(51) **LOC (9) Cl.** **15-09**

(52) **U.S. Cl.** **D15/122**

(58) **Field of Classification Search** D15/122,
D15/124, 127, 128, 130, 131; 29/26 A, 26 R,
29/30, 33 A–33 T, 34 R, 39, 50, 563–566,
29/564.1–564.8; 483/17–57

See application file for complete search history.

(56) **References Cited**

U.S. PATENT DOCUMENTS

4,704,773	A *	11/1987	Quinart et al.	29/27 C
D302,163	S *	7/1989	Itoh et al.	D15/122
D379,998	S *	6/1997	Marinkovic	D15/124
D428,025	S *	7/2000	Miyake et al.	D15/127
D438,548	S *	3/2001	Inada et al.	D15/127
D445,807	S *	7/2001	Baulk	D15/127

D495,723	S *	9/2004	Kawamura et al.	D15/127
D542,311	S *	5/2007	Inaba et al.	D15/127
7,226,403	B2 *	6/2007	Konvicka et al.	483/14
D548,755	S *	8/2007	Takeshima et al.	D15/122
D637,631	S *	5/2011	Hiroshima et al.	D15/122
D649,174	S *	11/2011	Schindler	D15/127
2004/0111850	A1 *	6/2004	Iwabuchi et al.	29/27 C

* cited by examiner

Primary Examiner — Patricia Palasik

(74) *Attorney, Agent, or Firm* — Oliff & Berridge, PLC

(57) **CLAIM**

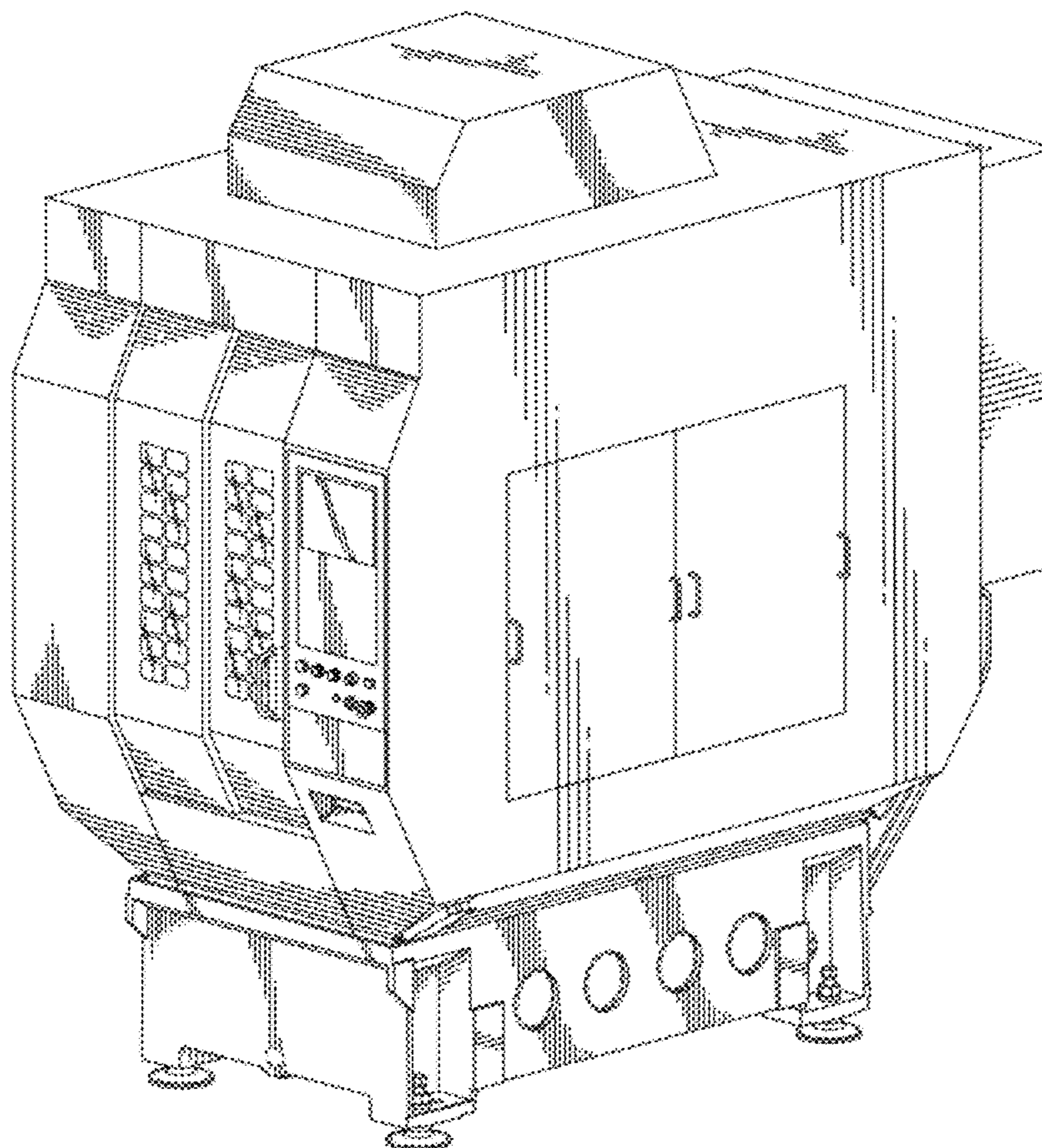
The ornamental design for a machining center, as shown and described.

DESCRIPTION

FIG. 1 is a perspective view of a machining center;
FIG. 2 is a front view thereof;
FIG. 3 is a top view thereof;
FIG. 4 is a right-side view thereof;
FIG. 5 is a left-side view thereof;
FIG. 6 is a rear view thereof; and,
FIG. 7 is a bottom view thereof.

The broken lines depict unclaimed portions only and form no part of the claimed design.

1 Claim, 7 Drawing Sheets



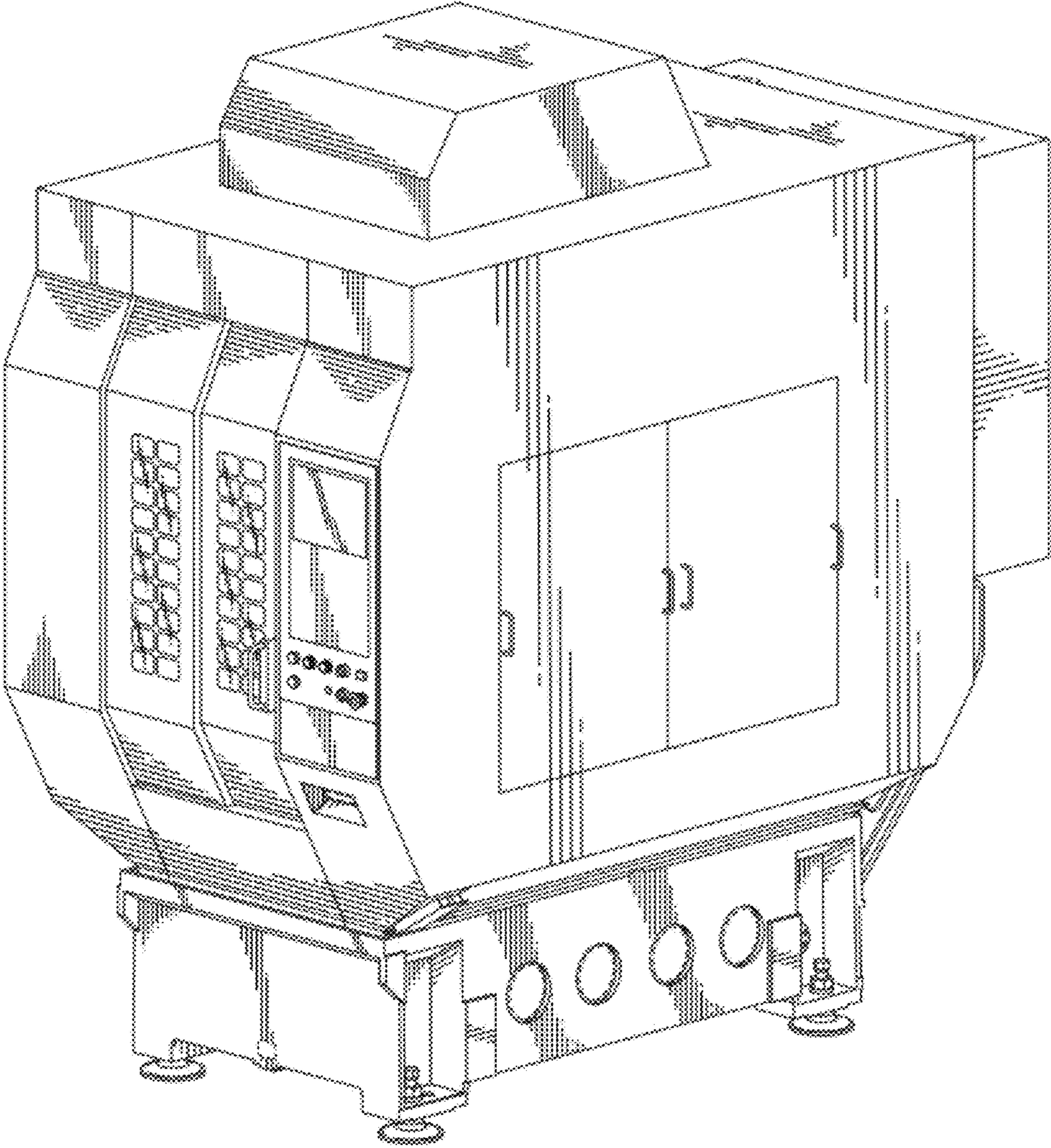


FIG. 1

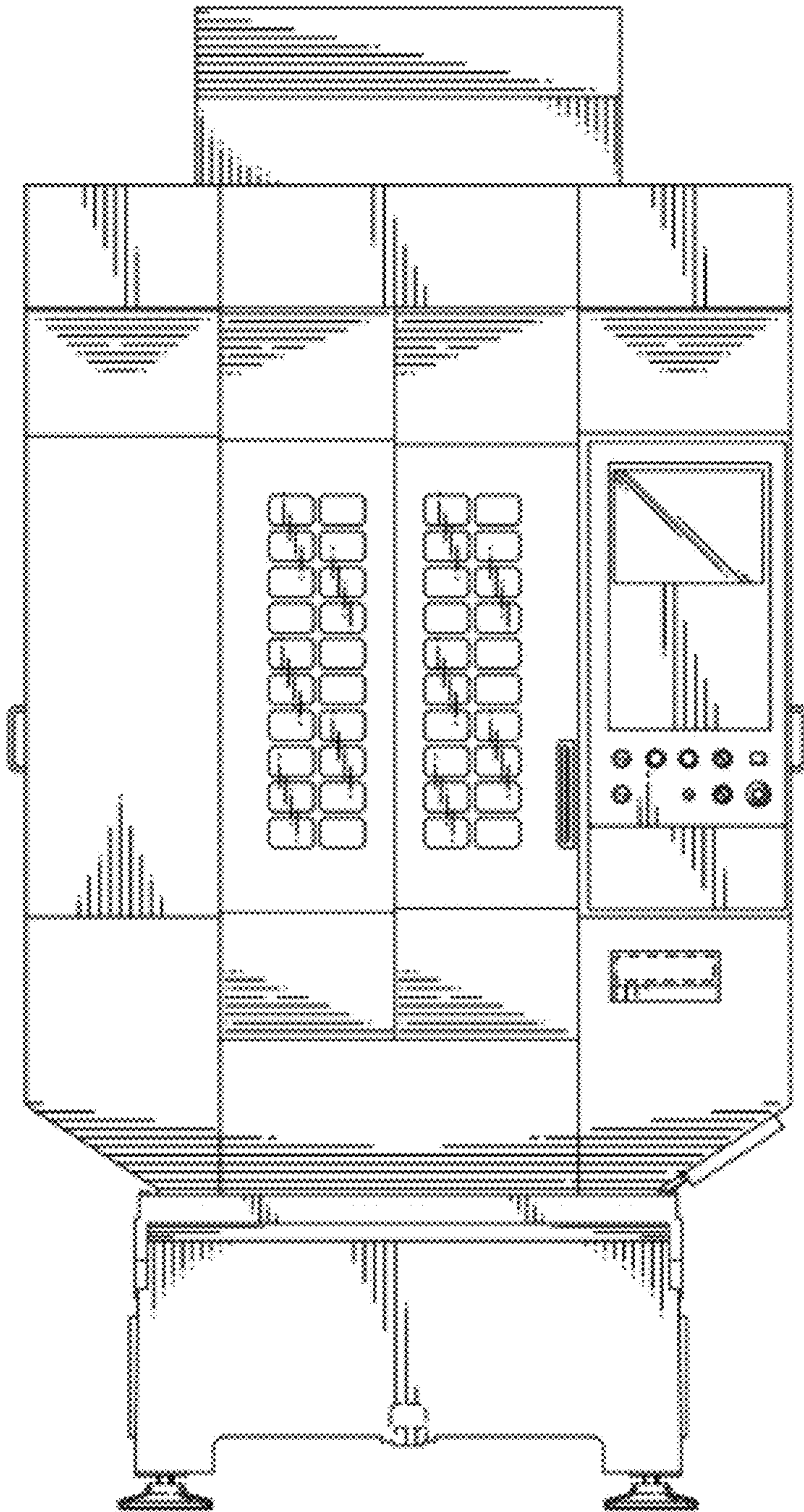


FIG. 2

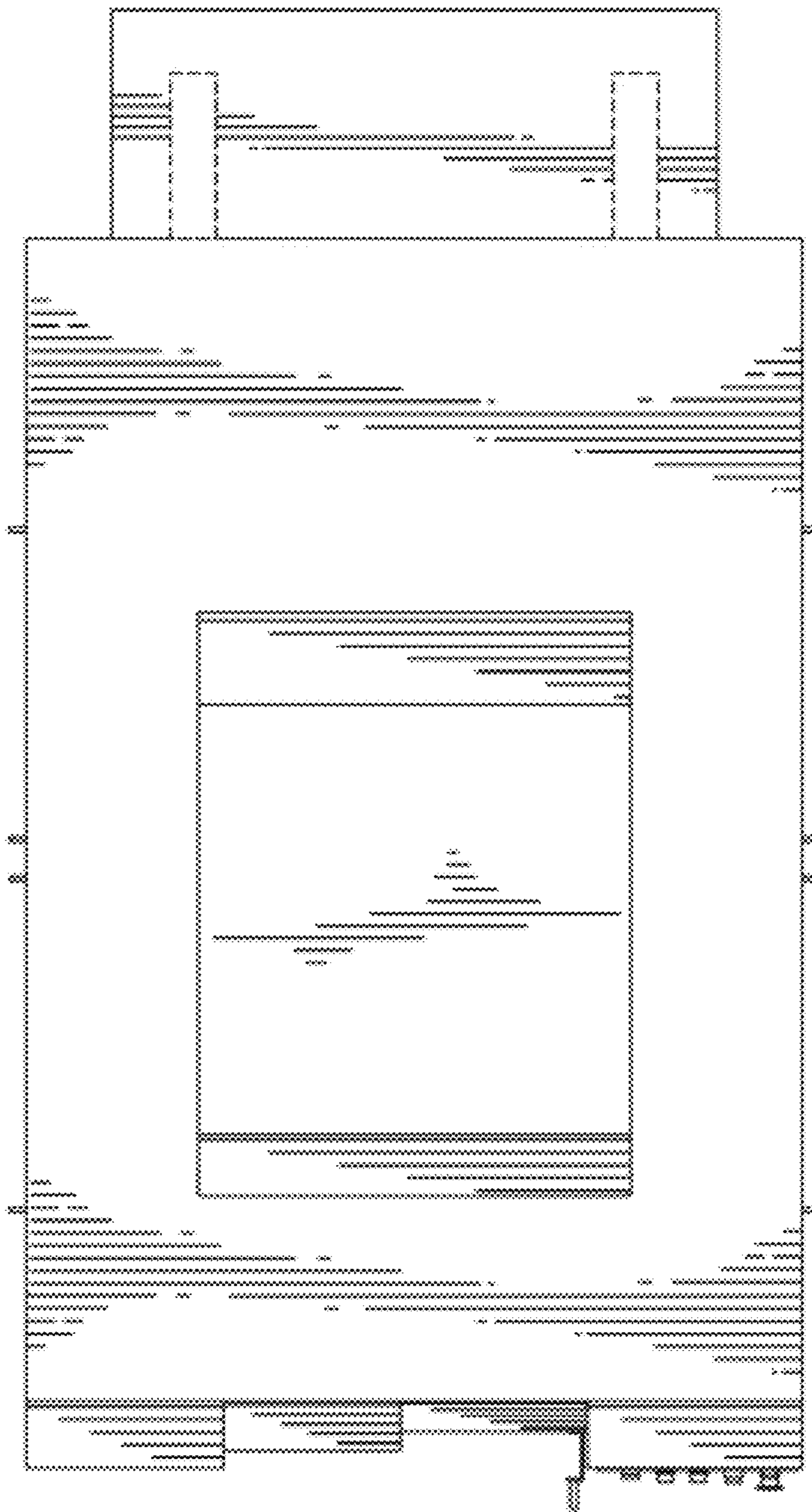


FIG. 3

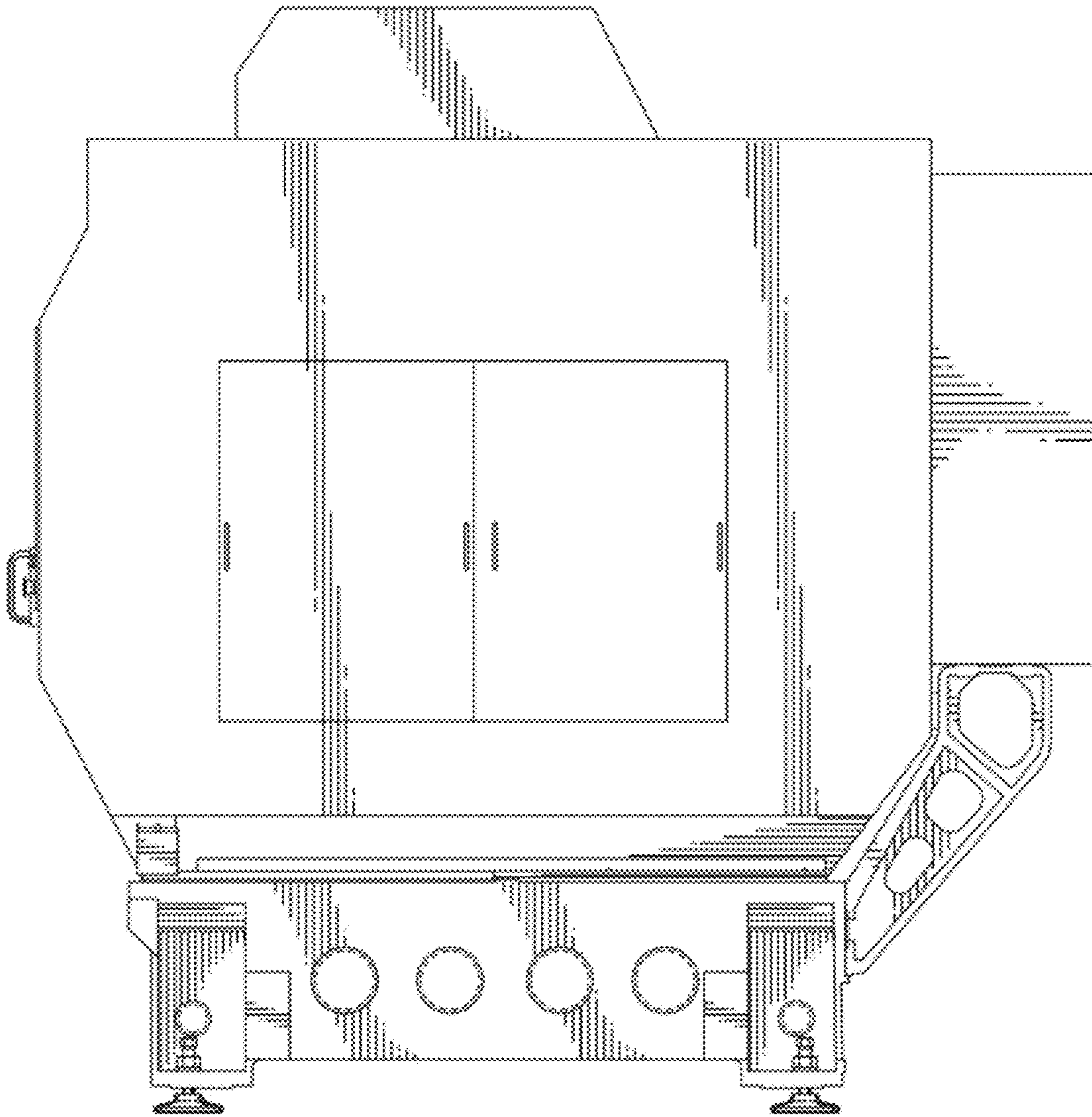


FIG. 4

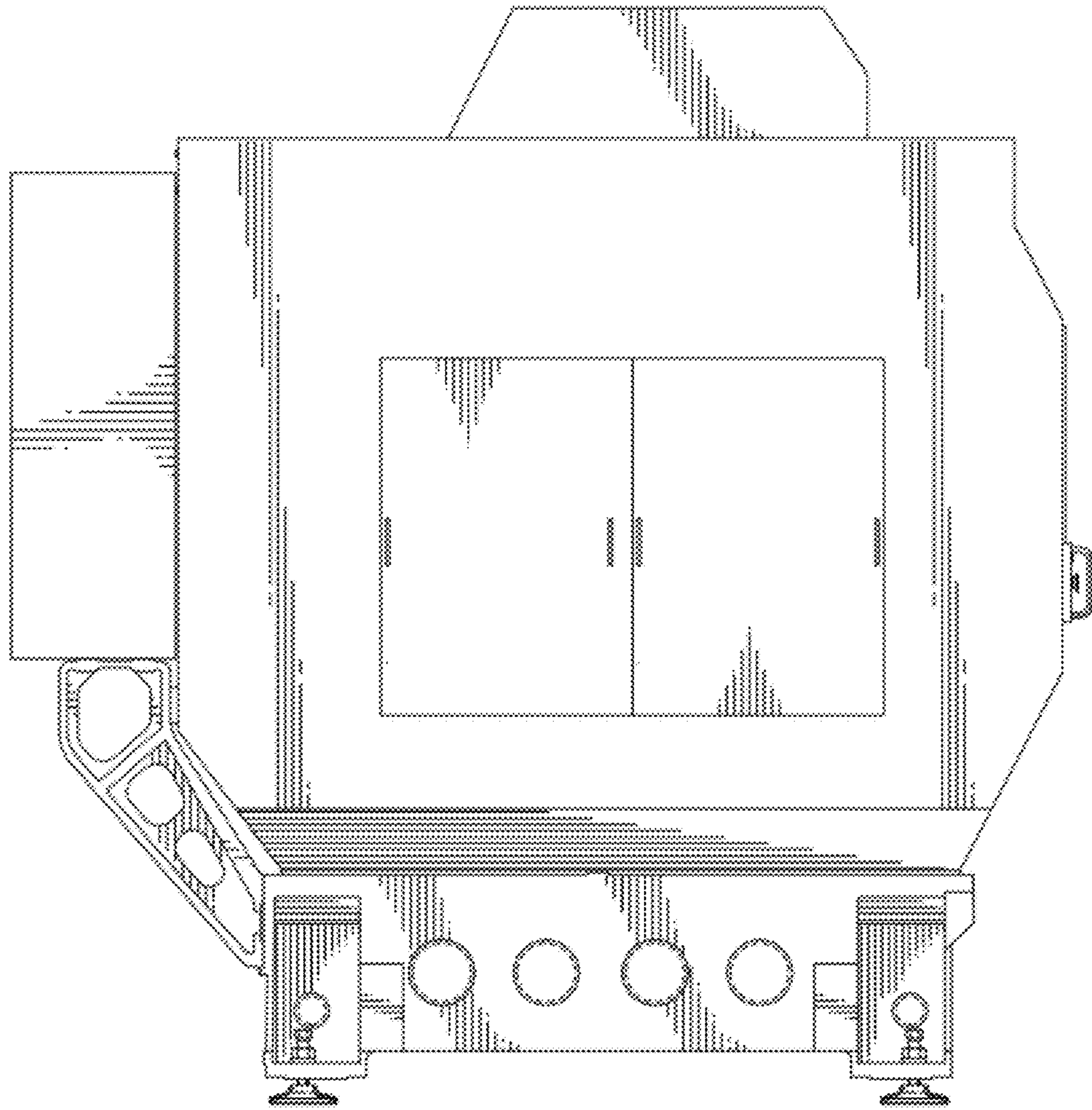


FIG. 5

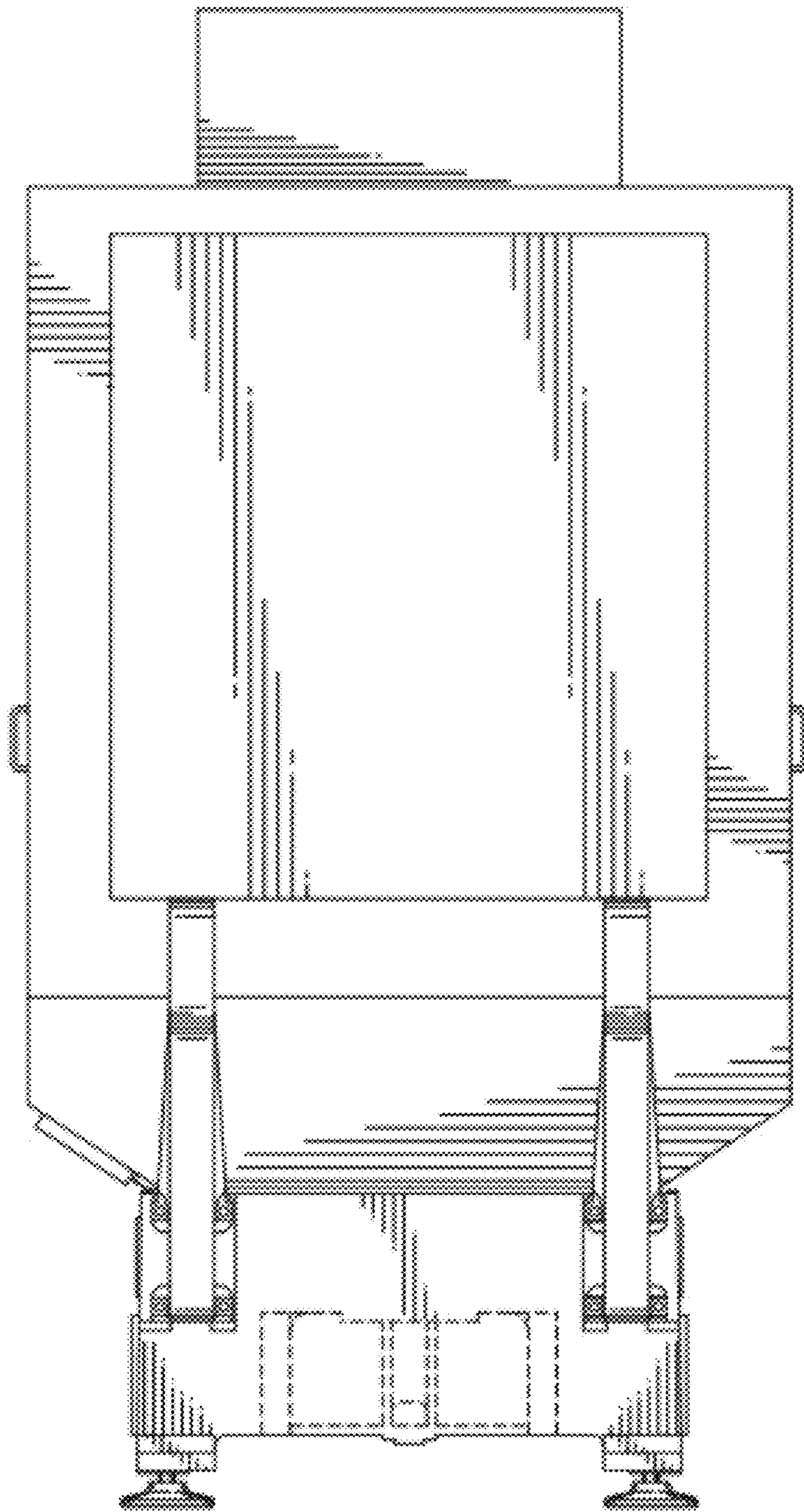


FIG. 6

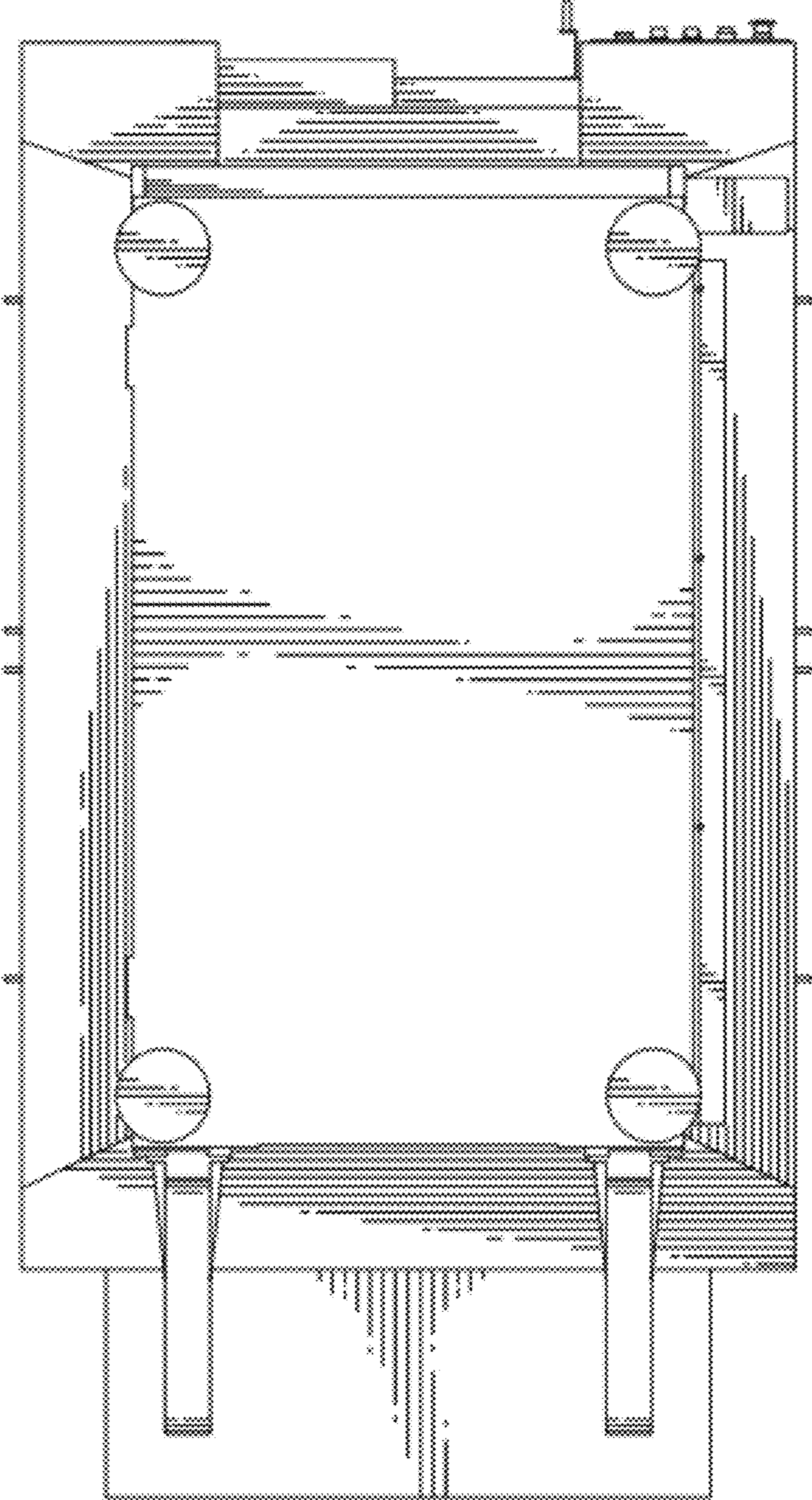


FIG. 7