



US00D667028S

(12) **United States Design Patent**  
**Headley, Sr.**

(10) **Patent No.:** **US D667,028 S**  
(45) **Date of Patent:** **\*\* Sep. 11, 2012**

(54) **APPARATUS FOR DISPENSING DROPLETS OF LIQUID FOOD PRODUCTS INTO A FREEZING MEDIA**

(76) Inventor: **Donn Headley, Sr.**, Strasburg, CO (US)

(\*\*) Term: **14 Years**

(21) Appl. No.: **29/402,286**

(22) Filed: **Sep. 22, 2011**

(51) **LOC (9) Cl.** ..... **15-07**

(52) **U.S. Cl.** ..... **D15/82; D7/397; D7/398; D15/89**

(58) **Field of Classification Search** ..... **D7/397, D7/398, 401.1, 412, 300; D15/89, 82, 81; 62/68, 64; 222/340**

See application file for complete search history.

(56) **References Cited**

**U.S. PATENT DOCUMENTS**

2,797,849	A *	7/1957	Steele	.....	222/340
D234,374	S *	2/1975	Starrett	.....	D7/397
4,687,672	A	8/1987	Vitkovsky		
4,704,873	A	11/1987	Imaike et al.		
D316,940	S *	5/1991	Boyd	.....	D6/467
5,126,156	A	6/1992	Jones		
5,307,640	A	5/1994	Fawzy et al.		
D350,455	S *	9/1994	Richter	.....	D7/392.1

(Continued)

**FOREIGN PATENT DOCUMENTS**

EP 0817575 B1 9/2001

(Continued)

*Primary Examiner* — Marianne Pandozzi

(74) *Attorney, Agent, or Firm* — Lee T. Meyer, Esq.; Meyer & Associates, LLC

(57) **CLAIM**

The ornamental design for an apparatus for dispensing droplets of liquid food products into a freezing media, as shown.

**DESCRIPTION**

FIG. 1 is a perspective view of an apparatus for dispensing droplets of liquid food products into a freezing media showing my new design;

FIG. 2 is a side elevational view of the apparatus for dispensing droplets of liquid food products into a freezing media as shown in FIG. 1;

FIG. 3 is a rear elevational view of the apparatus for dispensing droplets of liquid food products into a freezing media as shown in FIG. 1;

FIG. 4 is a front elevational view of the apparatus for dispensing droplets of liquid food products into a freezing media as shown in FIG. 1;

FIG. 5 is a top plan view of the apparatus for dispensing droplets of liquid food products into a freezing media as shown in FIG. 1;

FIG. 6 is a bottom plan view of the apparatus for dispensing droplets of liquid food products into a freezing media as shown in FIG. 1;

FIG. 7 is a perspective view of a second embodiment of the apparatus for dispensing droplets of liquid food products into a freezing media showing my new design;

FIG. 8 is a side elevational view of a second embodiment of the apparatus for dispensing droplets of liquid food products into a freezing media as shown in FIG. 7;

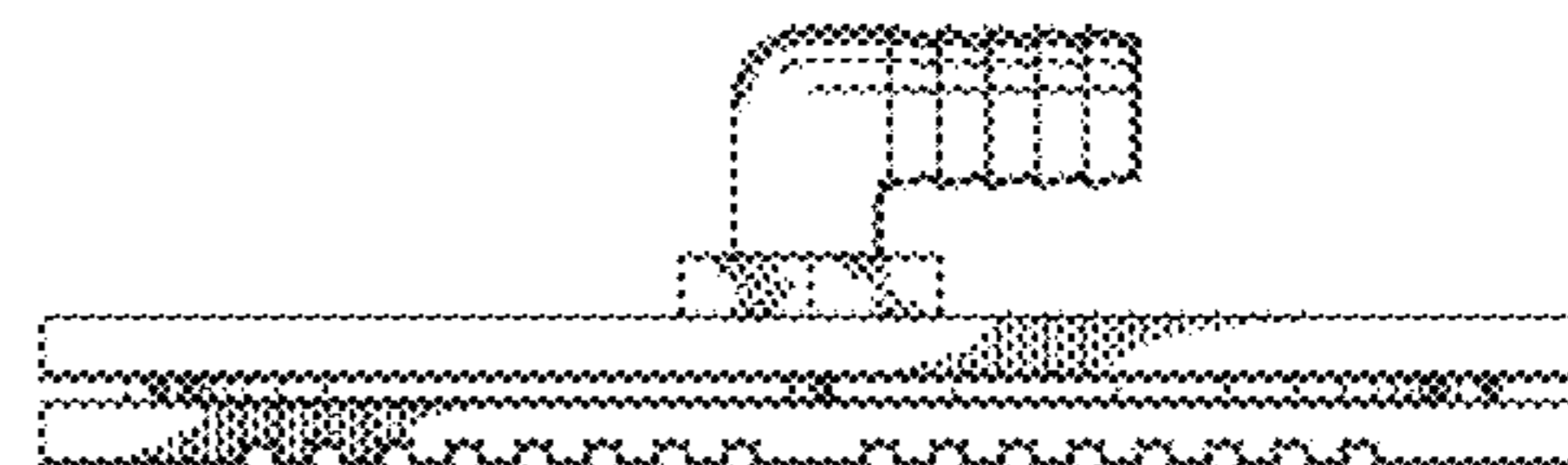
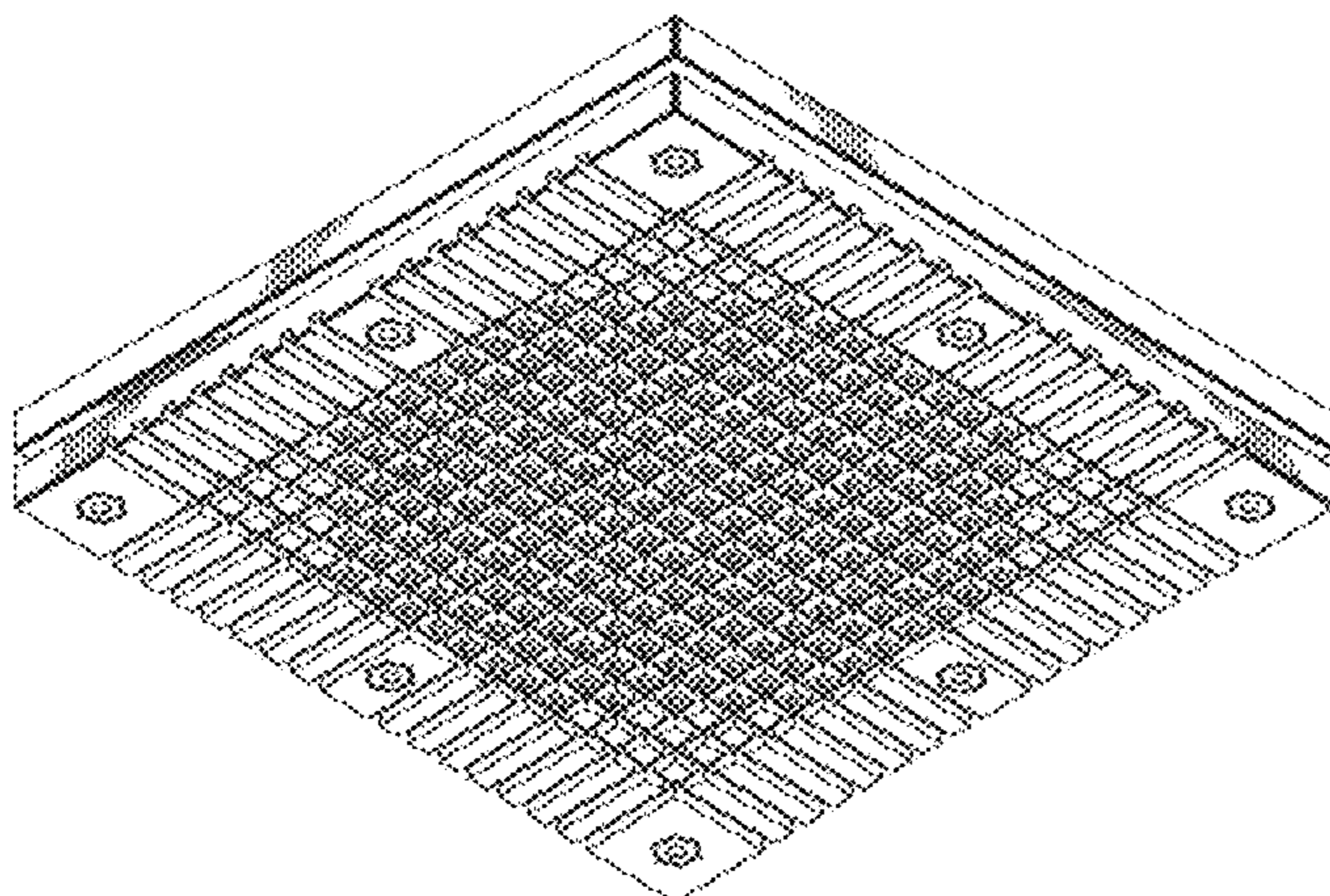
FIG. 9 is a rear elevational view of a second embodiment of the apparatus for dispensing droplets of liquid food products into a freezing media as shown in FIG. 7;

FIG. 10 is a front elevational view of the second embodiment of the apparatus for dispensing droplets of liquid food products into a freezing media as shown in FIG. 7;

FIG. 11 is a top plan view of the second embodiment of the apparatus for dispensing droplets of liquid food products into a freezing media as shown in FIG. 7; and,

FIG. 12 is a bottom plan view of the second embodiment of the apparatus for dispensing droplets of liquid food products into a freezing media as shown in FIG. 7.

**1 Claim, 4 Drawing Sheets**



# US D667,028 S

Page 2

---

## U.S. PATENT DOCUMENTS

5,475,984 A 12/1995 Fermani  
D380,762 S \* 7/1997 Sammut ..... D15/89  
5,664,422 A 9/1997 Jones  
D401,477 S \* 11/1998 Martindale ..... D7/590  
D407,260 S \* 3/1999 Martindale ..... D7/306  
6,000,229 A 12/1999 Jones et al.  
6,209,329 B1 4/2001 Jones et al.  
6,349,549 B1 2/2002 Angus et al.  
6,354,091 B1 3/2002 Hemmes  
6,381,967 B1 5/2002 Craig  
6,494,049 B1 12/2002 Jones et al.

6,574,969 B1 6/2003 Angus et al.  
D547,526 S 7/2007 Perkins  
7,316,122 B1 1/2008 Jones et al.  
2007/0134394 A1 6/2007 Jones  
2007/0281067 A1 12/2007 Braithwaite

## FOREIGN PATENT DOCUMENTS

EP 1073870 B1 10/2005  
WO WO 02006741 A1 1/2002  
WO WO 02023104 A1 3/2002

\* cited by examiner

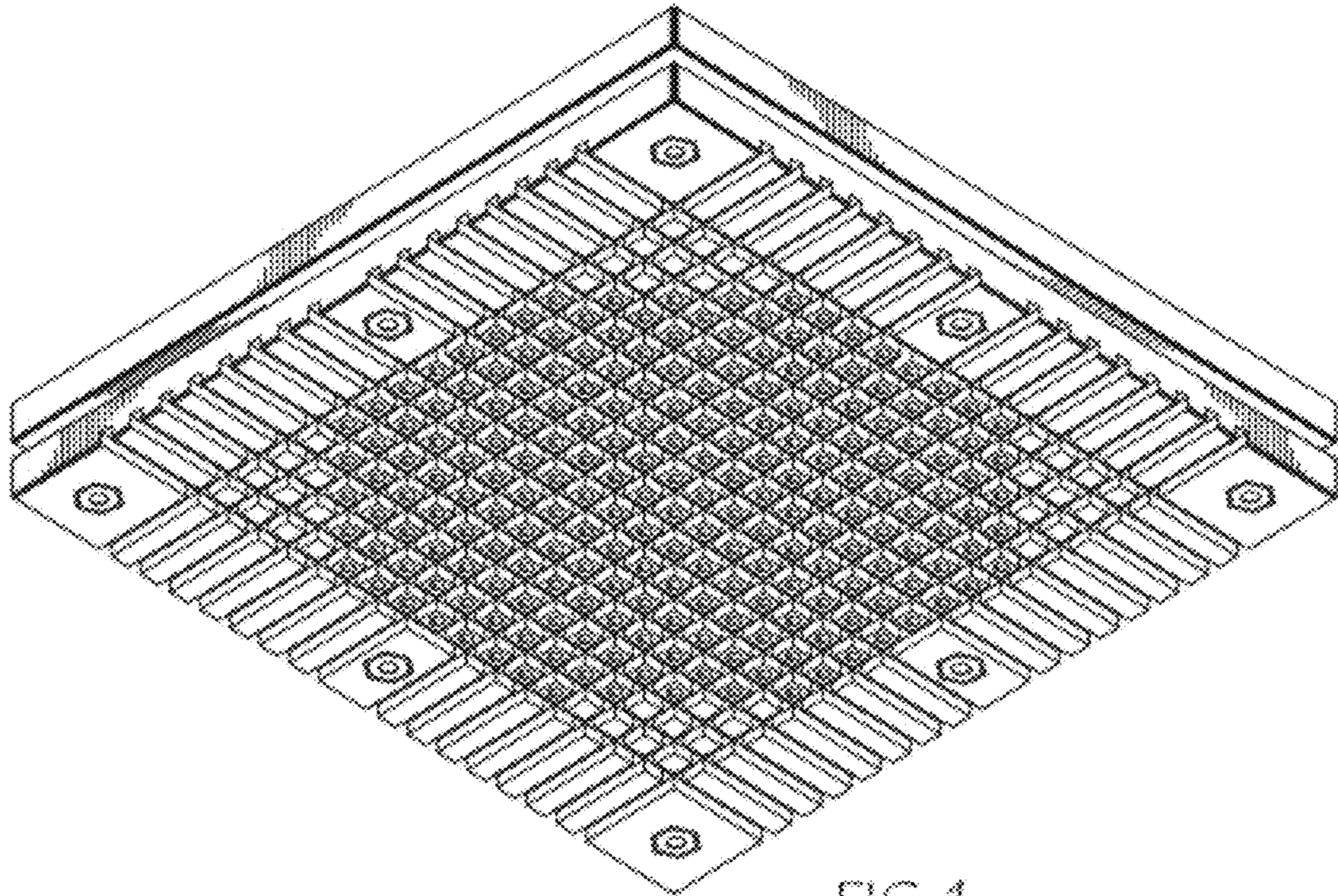


FIG. 1

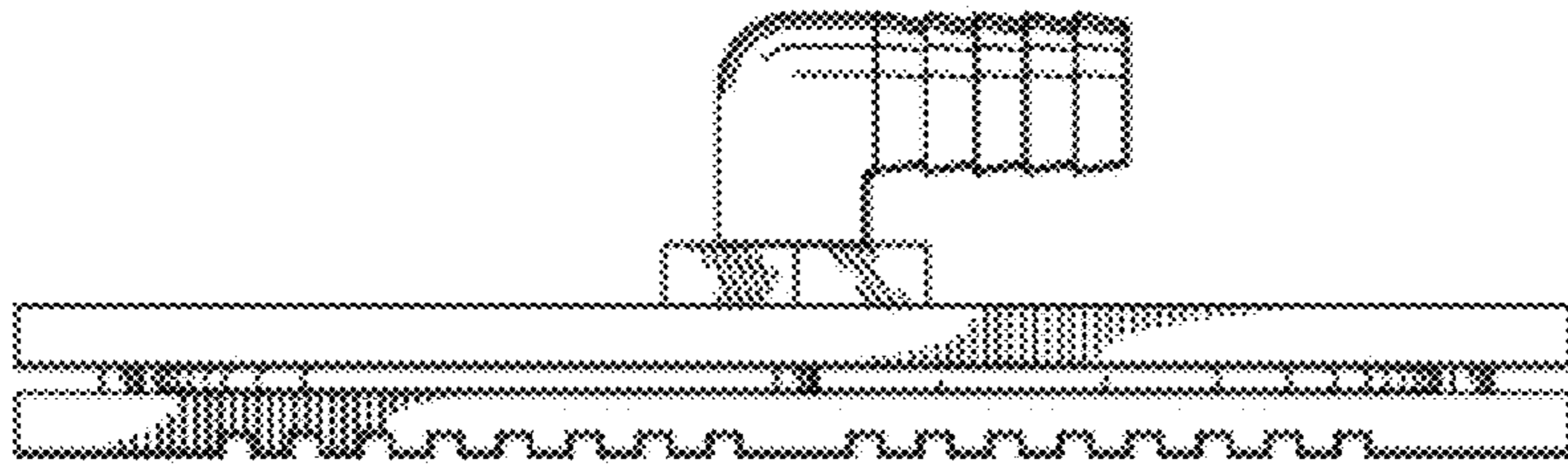


FIG. 2

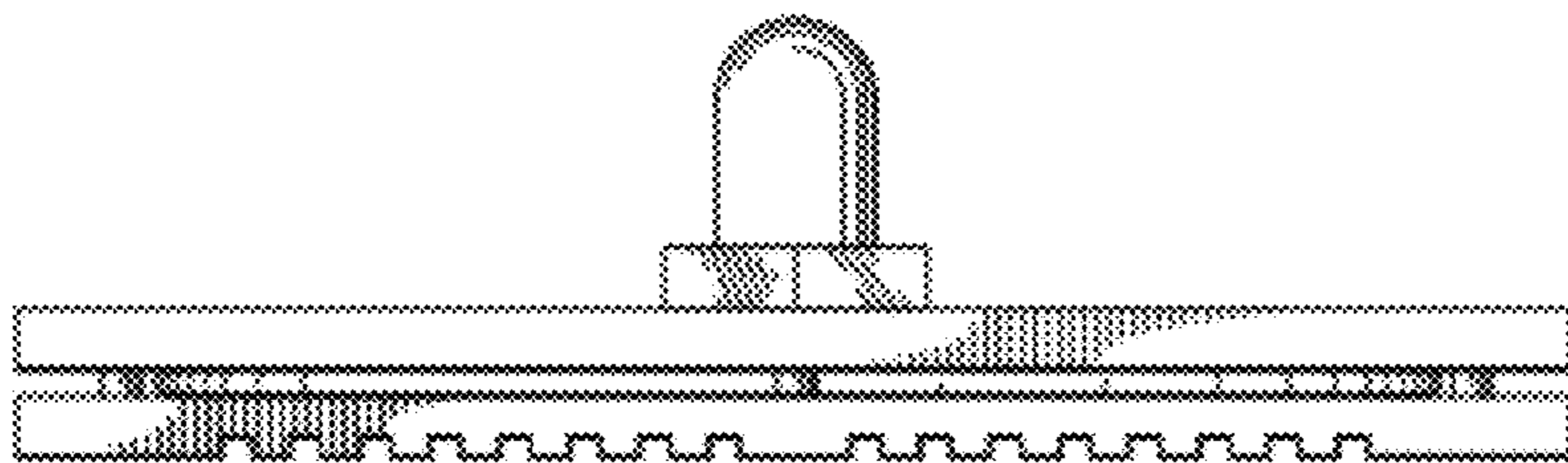


FIG. 3

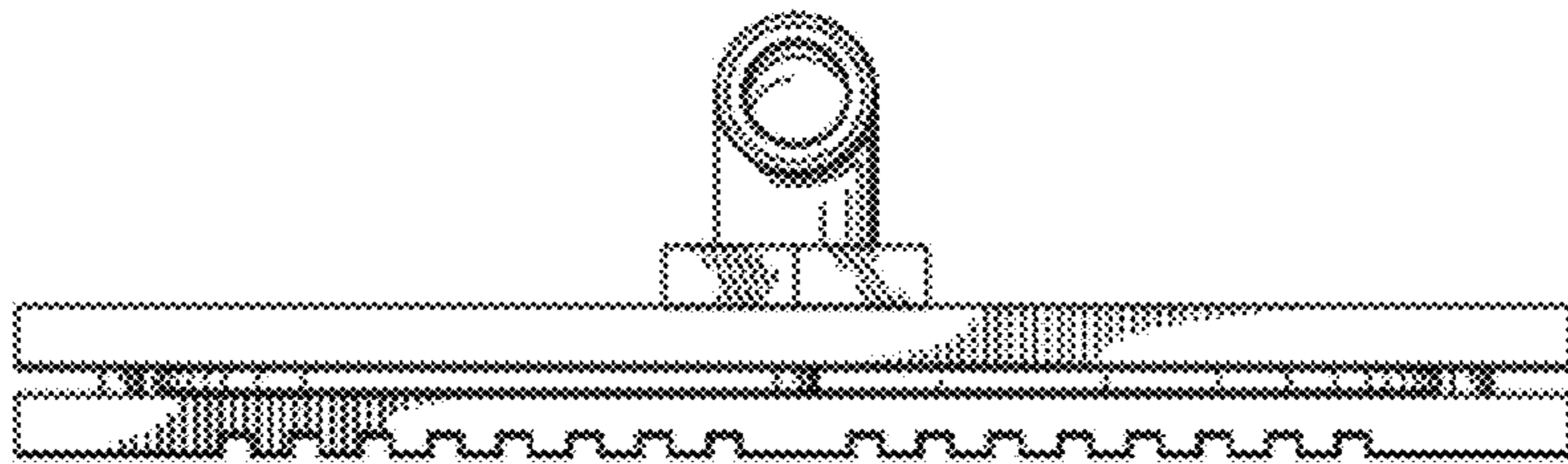


FIG. 4

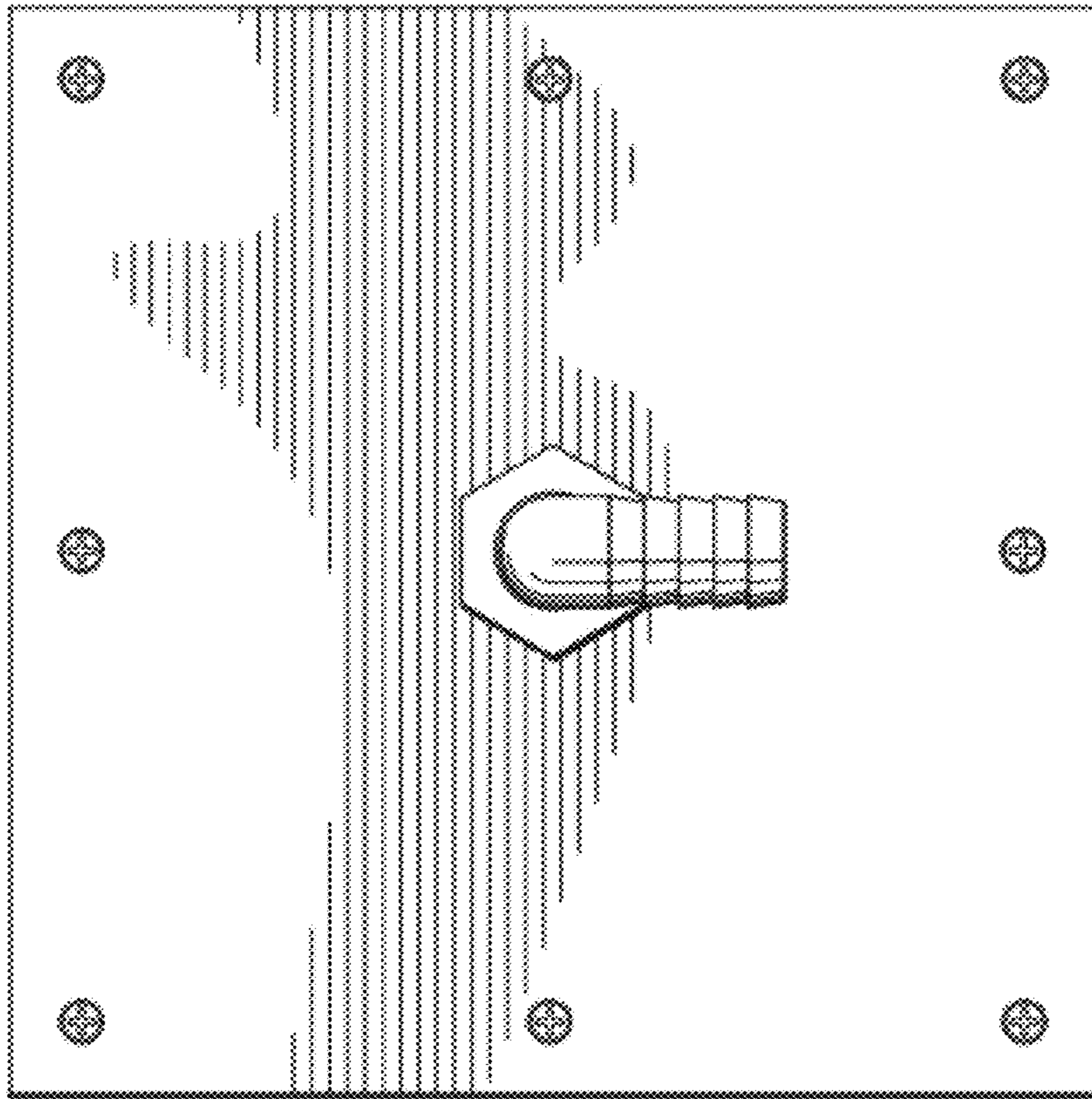


FIG. 5

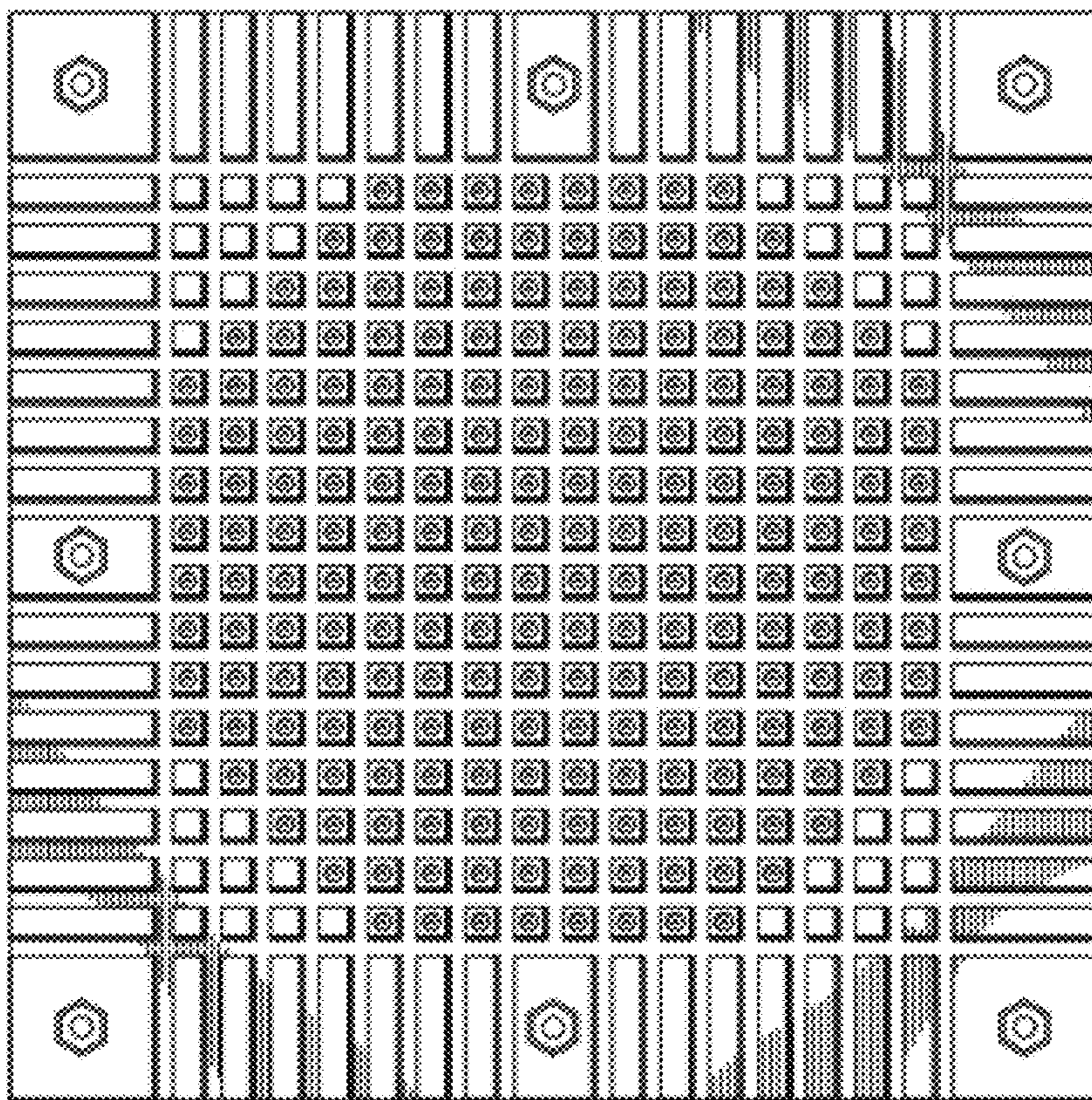


FIG. 6

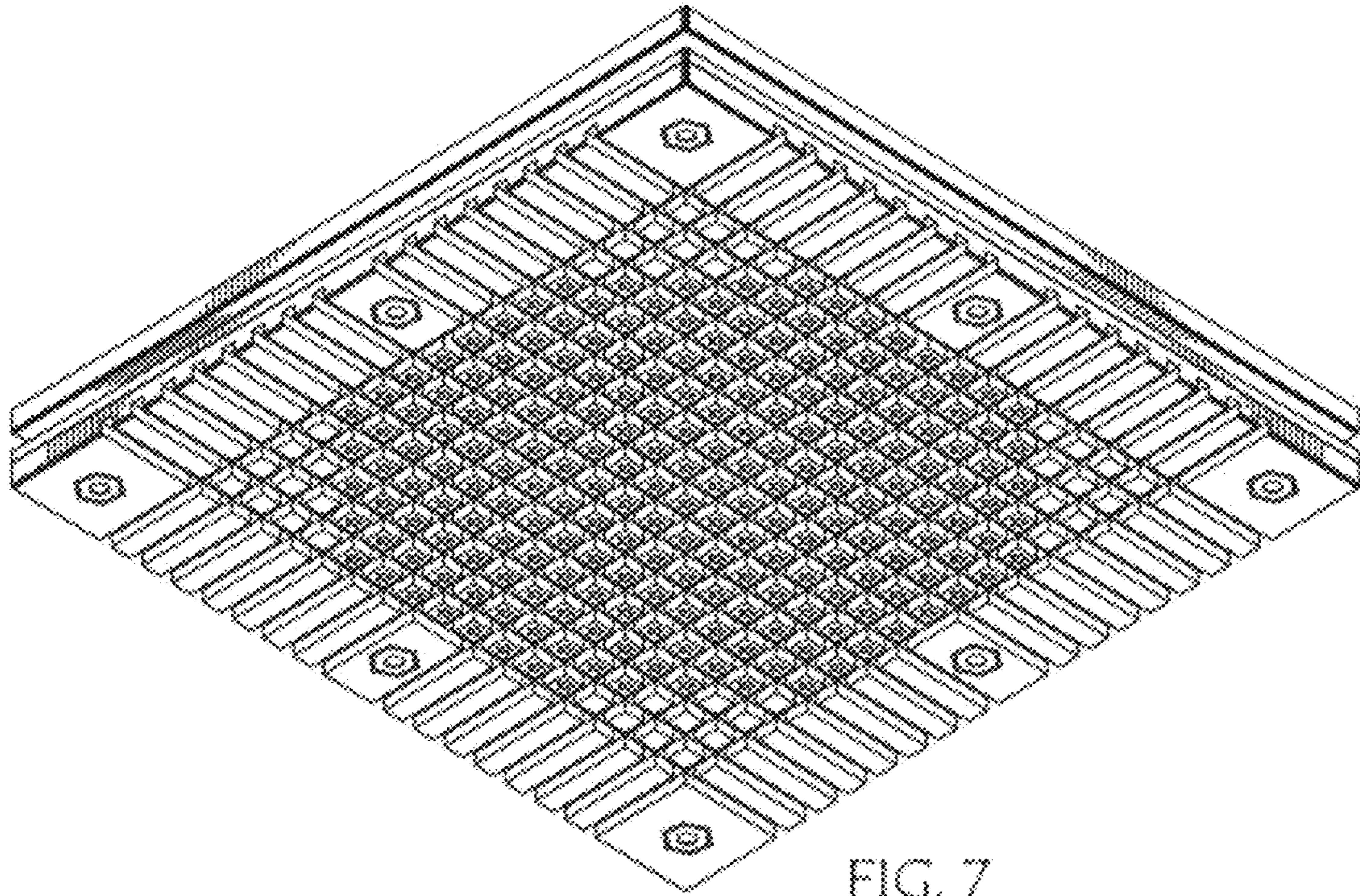


FIG. 7

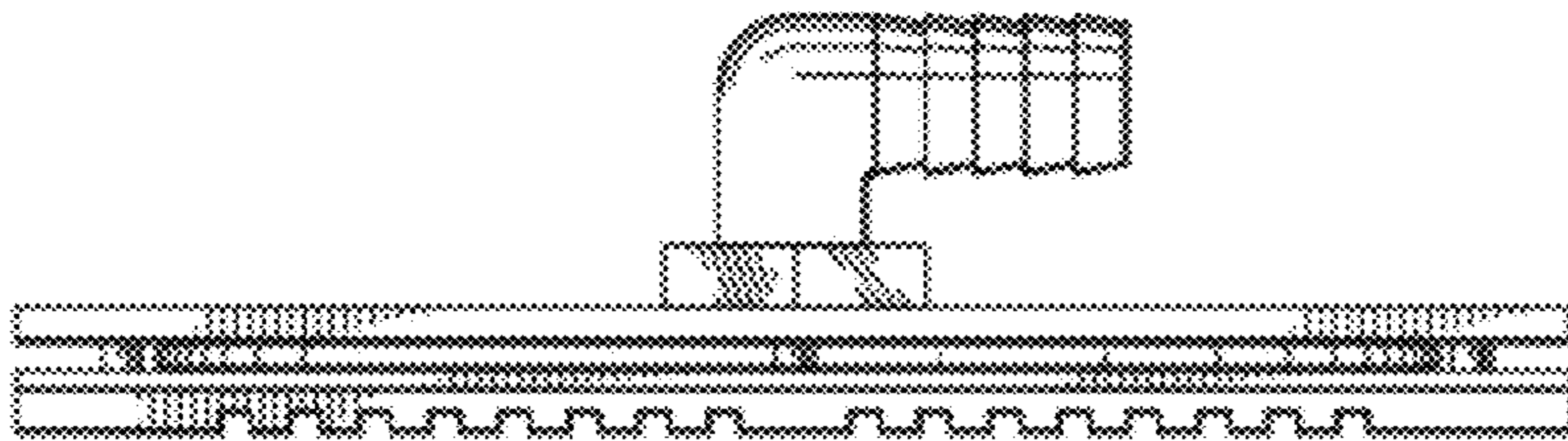


FIG. 8

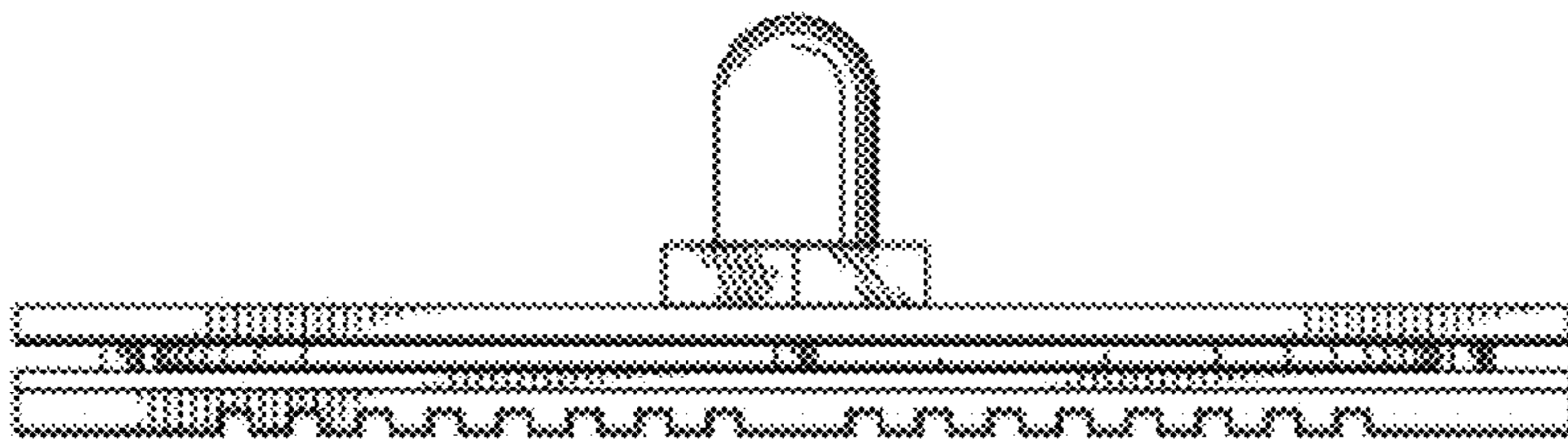


FIG. 9

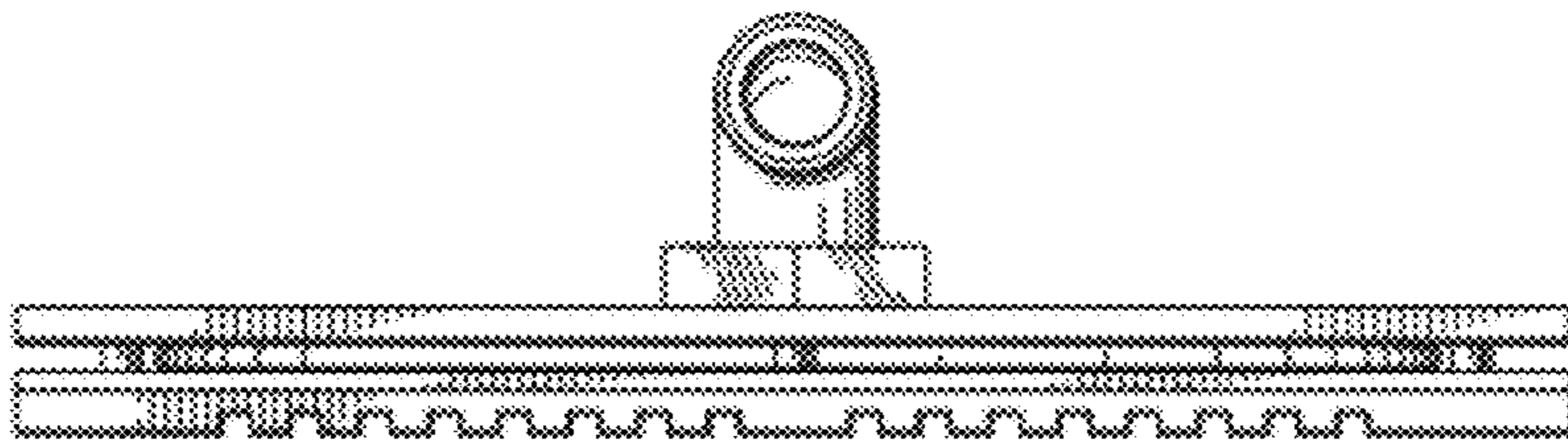


FIG. 10

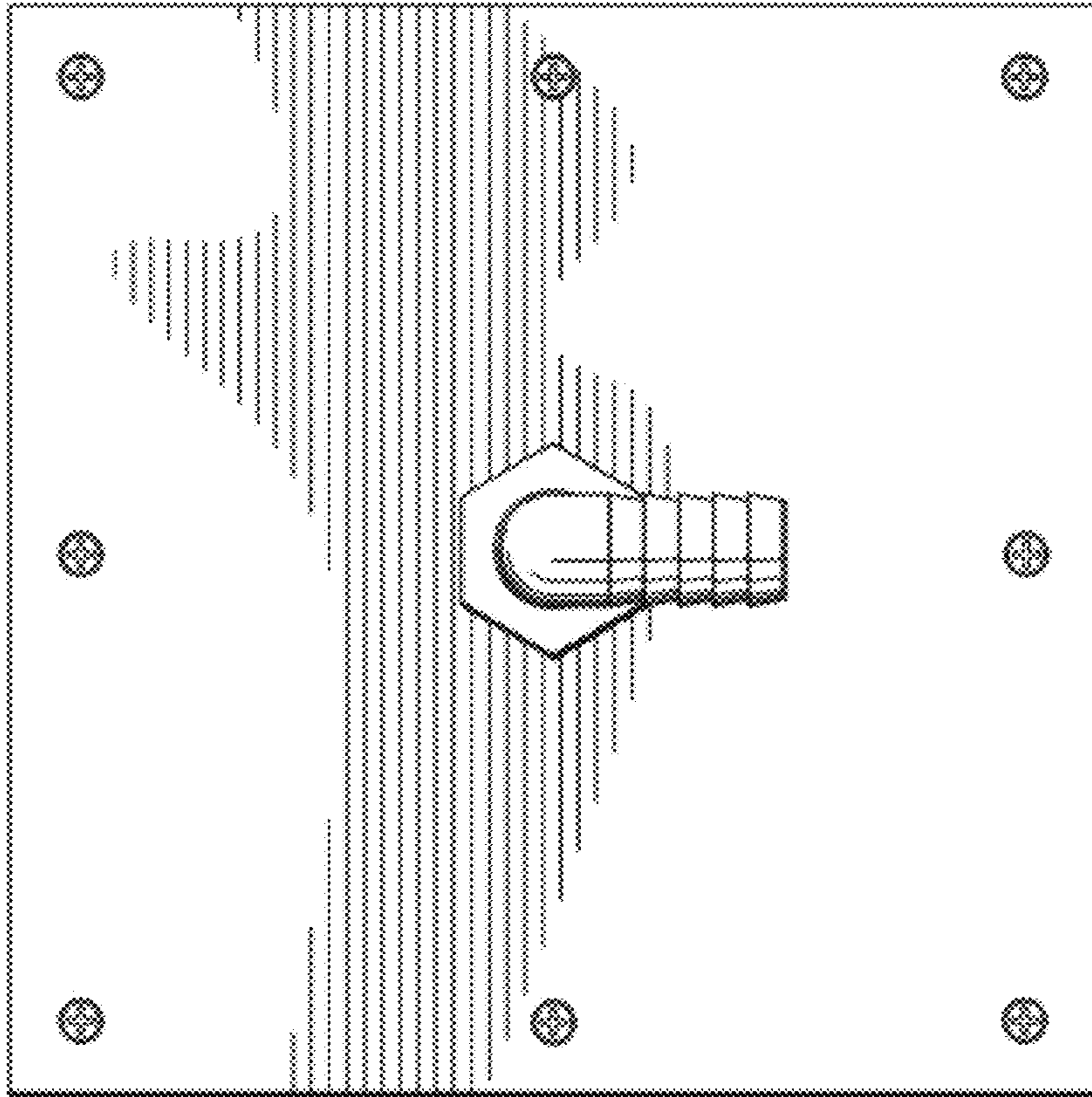


FIG. 11

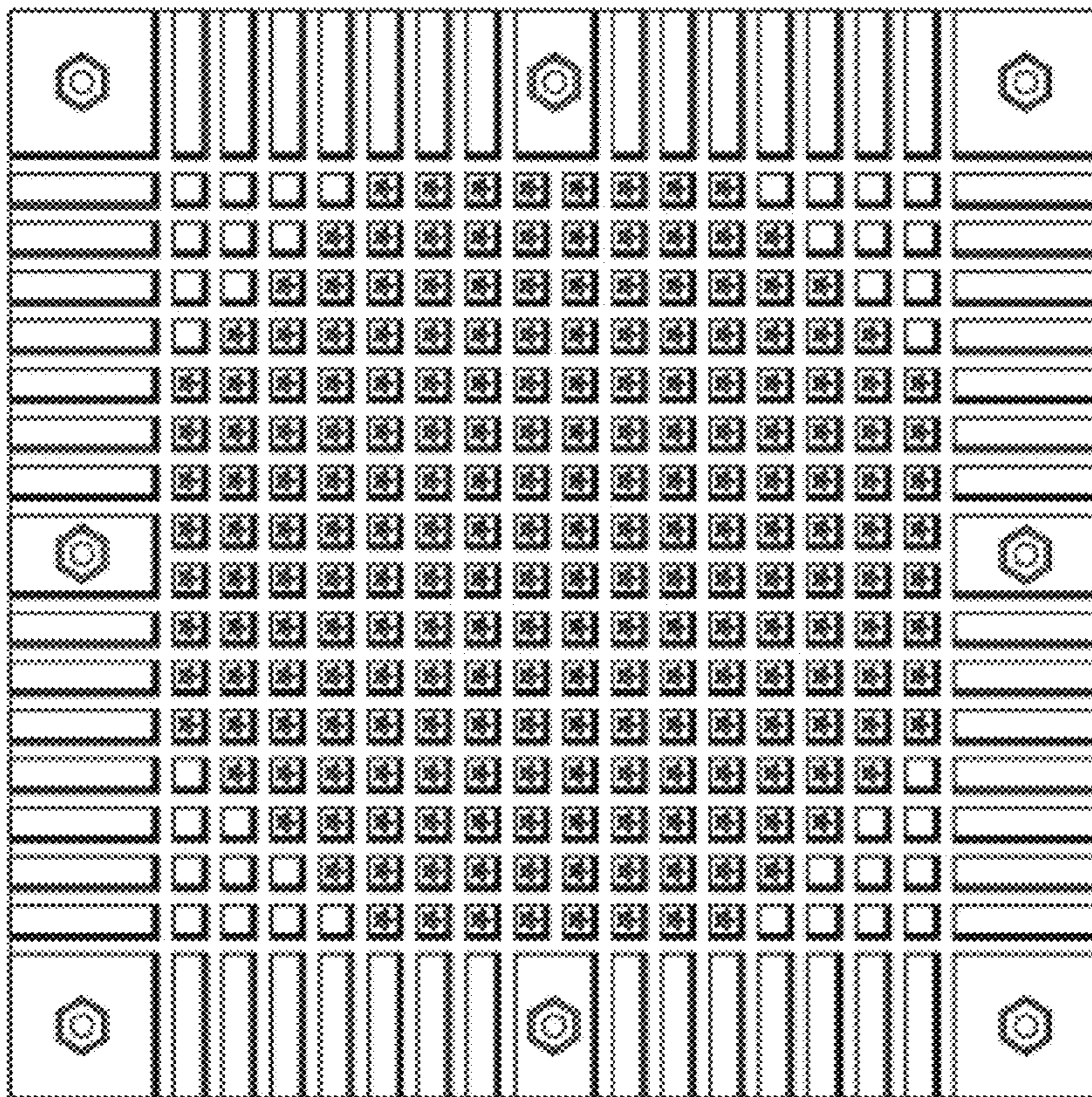


FIG. 12