

US00D667027S

(12) **United States Design Patent**  
**Stimel, Jr.**

(10) **Patent No.:** **US D667,027 S**

(45) **Date of Patent:** **\*\* Sep. 11, 2012**

(54) **VEHICLE OVERHEAD CONSOLE**

(75) Inventor: **William E. Stimel, Jr.**, Alexandria, OH (US)

(73) Assignee: **CVG Management Corporation**, New Albany, OH (US)

(\*\*) Term: **14 Years**

(21) Appl. No.: **29/387,623**

(22) Filed: **Mar. 15, 2011**

(51) **LOC (9) Cl.** ..... **15-03**

(52) **U.S. Cl.** ..... **D15/28**

(58) **Field of Classification Search** ..... D15/17,  
D15/22-26, 28, 31, 33; D12/192, 419, 421;  
180/69.2, 69.21, 69.24, 90; 296/70, 30, 72,  
296/191, 192, 193.03

See application file for complete search history.

D459,734 S \* 7/2002 Hohnl et al. .... D15/28  
D471,564 S \* 3/2003 Hohnl et al. .... D15/28  
D514,995 S \* 2/2006 Acton et al. .... D12/192  
D515,487 S \* 2/2006 Tanaka et al. .... D12/192  
D519,132 S \* 4/2006 Laux et al. .... D15/28  
D521,413 S \* 5/2006 Katoh ..... D12/1  
D529,052 S \* 9/2006 Dolesh et al. .... D15/28  
D534,468 S \* 1/2007 Colburn et al. .... D12/192  
D543,558 S \* 5/2007 Dolesh et al. .... D15/28  
D546,841 S \* 7/2007 McCarren et al. .... D15/28  
D549,739 S \* 8/2007 Stephens ..... D15/28  
D551,144 S \* 9/2007 Shinoda ..... D12/192  
D554,572 S \* 11/2007 Iguchi ..... D12/192  
D593,134 S \* 5/2009 Kuwae et al. .... D15/28  
D636,410 S \* 4/2011 Ono et al. .... D15/28  
D636,794 S \* 4/2011 Ono et al. .... D15/28  
D640,293 S \* 6/2011 Ono et al. .... D15/28  
D652,063 S \* 1/2012 Takeuchi et al. .... D15/28  
D652,433 S \* 1/2012 Takeuchi et al. .... D15/28

\* cited by examiner

*Primary Examiner* — Mark Goodwin

(74) *Attorney, Agent, or Firm* — Kegler Brown Hill & Ritter;  
James J. Pingor

(56) **References Cited**

U.S. PATENT DOCUMENTS

D162,507 S \* 3/1951 Arenberg et al. .... D26/34  
D206,322 S \* 11/1966 Ormas, Jr. et al. .... D12/192  
3,452,835 A \* 7/1969 Jacobsen et al. .... 180/90  
4,126,202 A \* 11/1978 Hern ..... 180/89.12  
D308,131 S \* 5/1990 Marcantonio ..... D12/419  
D365,574 S \* 12/1995 Westimayer et al. .... D15/17  
D375,071 S \* 10/1996 Darley ..... D12/192  
5,725,065 A \* 3/1998 Knurr et al. .... 180/69.2  
D427,613 S \* 7/2000 Altmann et al. .... D15/28  
D428,022 S \* 7/2000 Altmann et al. .... D15/28  
D432,076 S \* 10/2000 Stickles et al. .... D12/419  
D439,257 S \* 3/2001 Rossow et al. .... D15/28

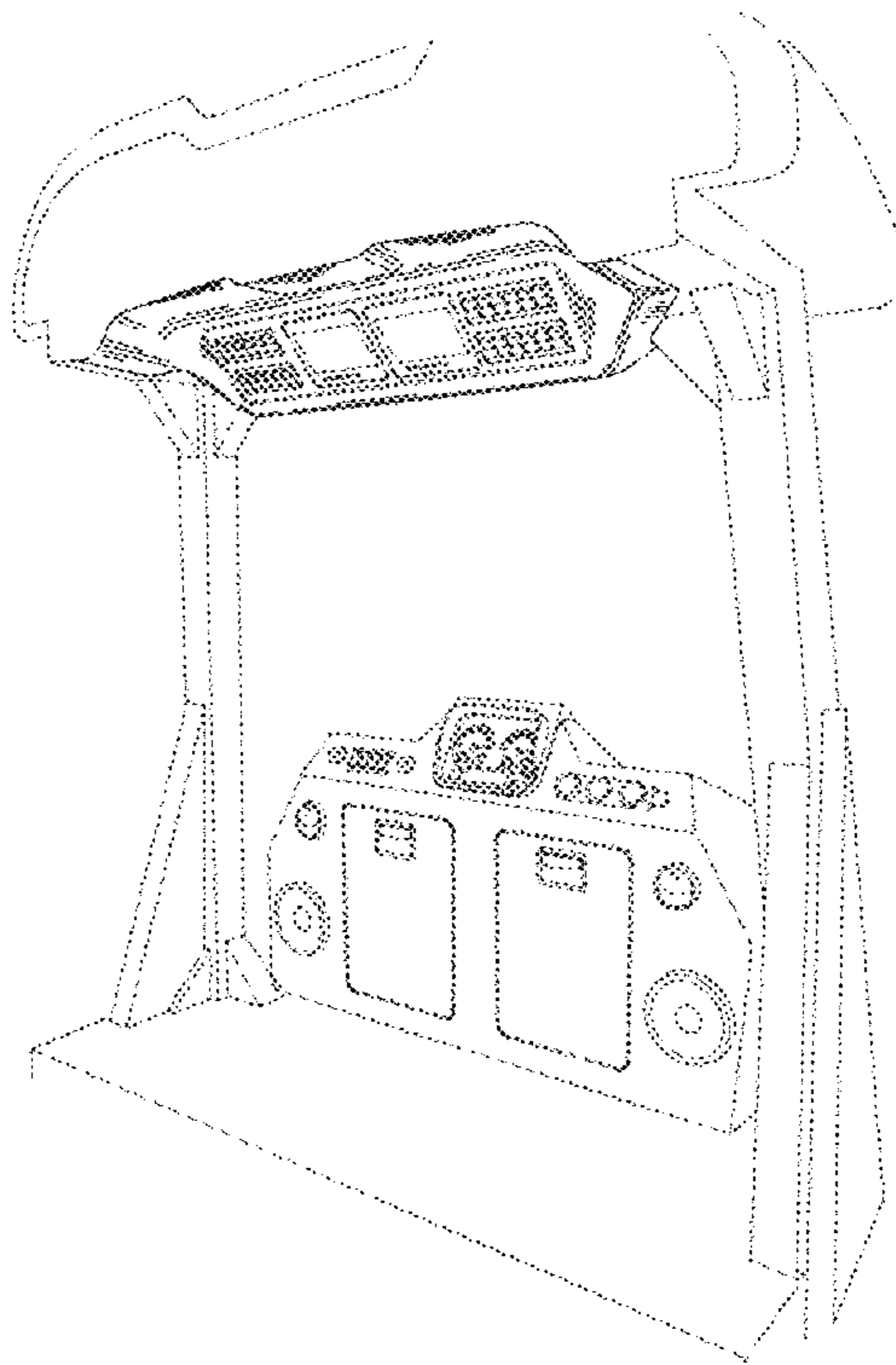
(57) **CLAIM**

I claim the ornamental design of the vehicle overhead console, as shown and described.

**DESCRIPTION**

FIG. 1 is a right front perspective view of a vehicle overhead console;  
FIG. 2 is a front view thereof; and,  
FIG. 3 is a left front perspective view thereof.

**1 Claim, 3 Drawing Sheets**



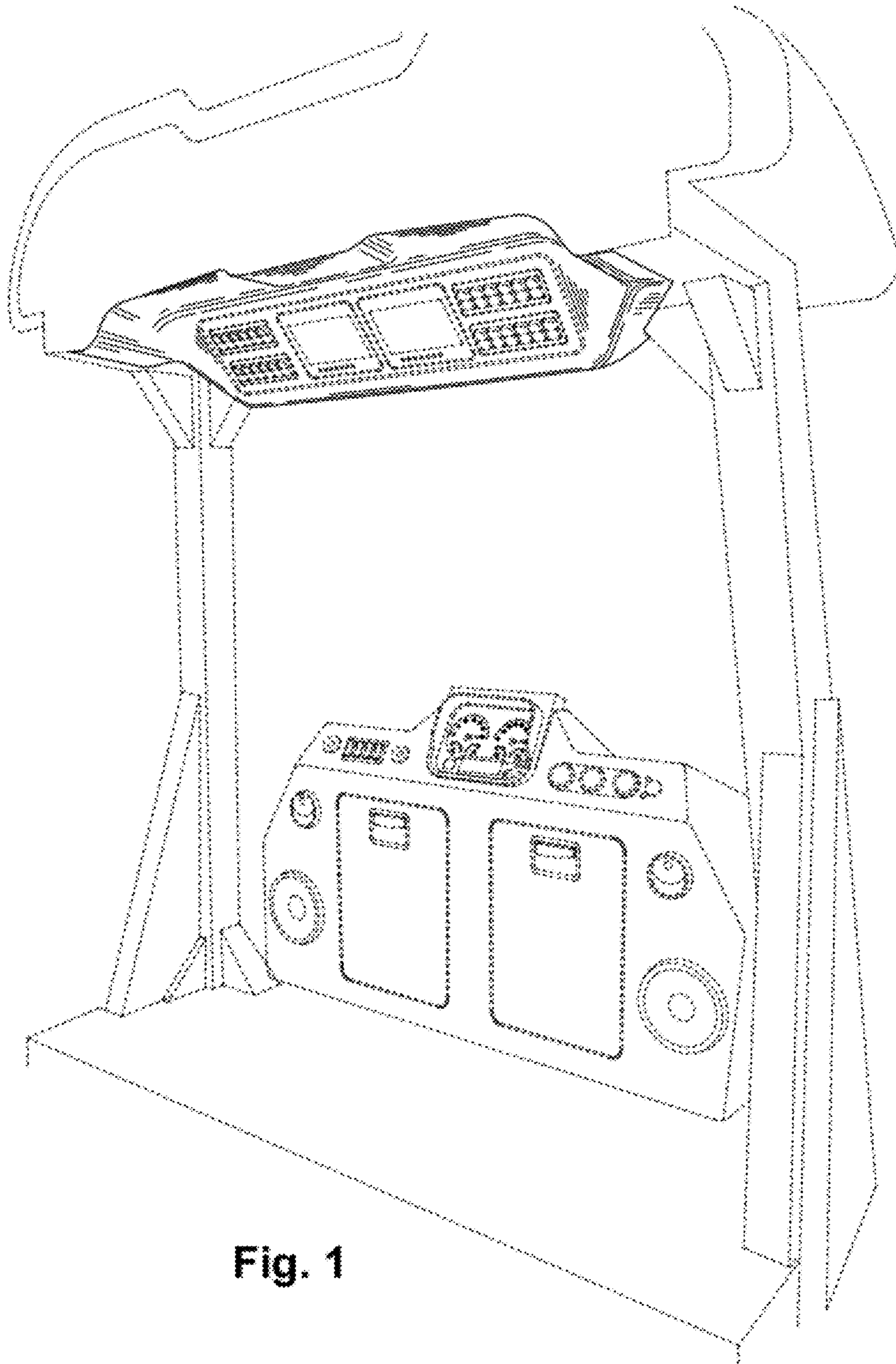


Fig. 1

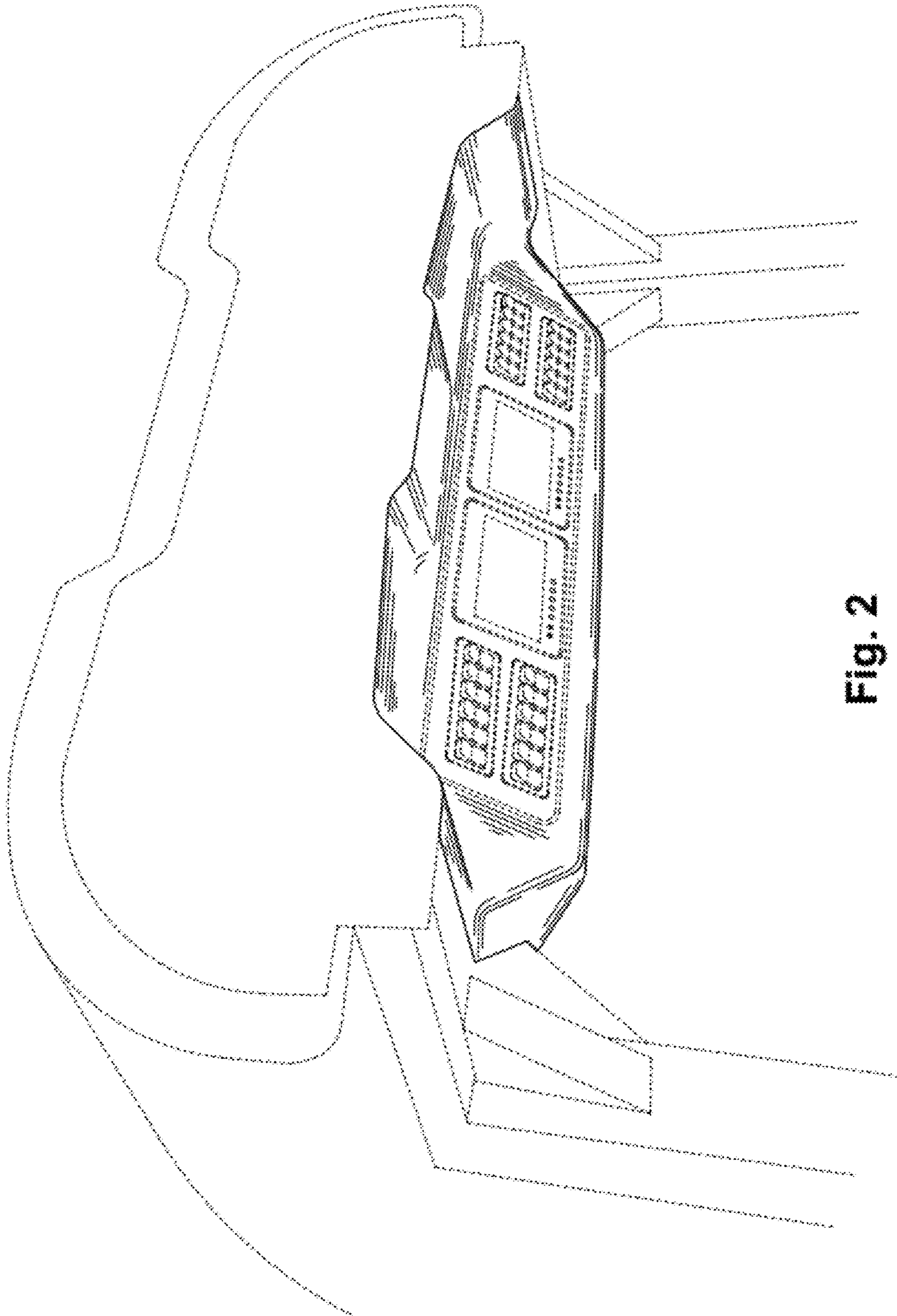


Fig. 2

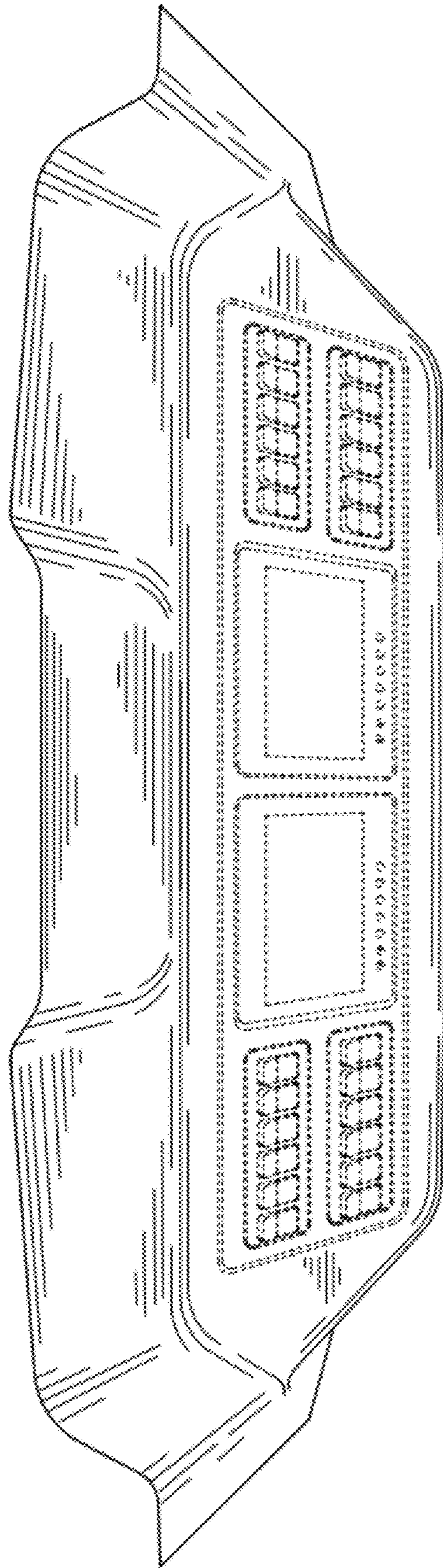


Fig. 3