



US00D667026S

(12) **United States Design Patent**
Stimel, Jr.

(10) **Patent No.:** **US D667,026 S**

(45) **Date of Patent:** **** Sep. 11, 2012**

(54) **VEHICLE INTERIOR COMPONENT**

(75) **Inventor:** **William E. Stimel, Jr.**, Alexandria, OH (US)

(73) **Assignee:** **CVG Management Corporation**, New Albany, OH (US)

(**) **Term:** **14 Years**

(21) **Appl. No.:** **29/387,620**

(22) **Filed:** **Mar. 15, 2011**

(51) **LOC (9) Cl.** **15-03**

(52) **U.S. Cl.** **D15/28**

(58) **Field of Classification Search** D15/17,
D15/22-26, 28, 31, 33; D12/192, 419, 421;
180/69.2, 69.21, 69.24, 90; 296/70, 30, 72,
296/191, 192, 193.03

See application file for complete search history.

(56) **References Cited**

U.S. PATENT DOCUMENTS

D162,507 S *	3/1951	Arenberg et al.	D26/34
D206,322 S *	11/1966	Ornas, Jr. et al.	D12/192
3,452,835 A *	7/1969	Jacobsen et al.	180/90
4,126,202 A *	11/1978	Hern	180/89.12
D308,131 S *	5/1990	Marcantonio	D12/419
D365,574 S *	12/1995	Westimayer et al.	D15/17
D375,071 S *	10/1996	Darley	D12/192
5,725,065 A *	3/1998	Knurr et al.	180/69.2
D427,613 S *	7/2000	Altmann et al.	D15/28
D428,022 S *	7/2000	Altmann et al.	D15/28
D432,076 S *	10/2000	Stickles et al.	D12/419
D439,257 S *	3/2001	Rossow et al.	D15/28
D459,734 S *	7/2002	Hohnl et al.	D15/28
D471,564 S *	3/2003	Hohnl et al.	D15/28
D514,995 S *	2/2006	Acton et al.	D12/192
D515,487 S *	2/2006	Tanaka et al.	D12/192

D519,132 S *	4/2006	Laux et al.	D15/28
D521,413 S *	5/2006	Katoh	D12/1
D529,052 S *	9/2006	Dolesh et al.	D15/28
D534,468 S *	1/2007	Colburn et al.	D12/192
D543,558 S *	5/2007	Dolesh et al.	D15/28
D546,841 S *	7/2007	McCarren et al.	D15/28
D549,739 S *	8/2007	Stephens	D15/28
D551,144 S *	9/2007	Shinoda	D12/192
D554,572 S *	11/2007	Iguchi	D12/192
D593,134 S *	5/2009	Kuwae et al.	D15/28
D636,410 S *	4/2011	Ono et al.	D15/28
D636,794 S *	4/2011	Ono et al.	D15/28
D640,293 S *	6/2011	Ono et al.	D15/28
D652,063 S *	1/2012	Takeuchi et al.	D15/28
D652,433 S *	1/2012	Takeuchi et al.	D15/28

* cited by examiner

Primary Examiner — Mark Goodwin

(74) *Attorney, Agent, or Firm* — Kegler Brown Hill & Ritter;
James J. Pingor

(57) **CLAIM**

I claim the ornamental design of the vehicle interior component, as shown and described.

DESCRIPTION

FIG. 1 is a right front perspective view of a vehicle interior component;
FIG. 2 is a right front perspective view thereof;
FIG. 3 is a rear view thereof;
FIG. 4 is a right perspective view thereof; and,
FIG. 5 is a perspective view thereof.
The broken line showing of various surface features in FIGS. 1-5 is included for the purpose of illustrating portions of the vehicle interior component and the broken line showing of the interior portion of a vehicle in FIGS. 4 and 5 is for environmental structure only and forms no part of the claimed design.

1 Claim, 5 Drawing Sheets

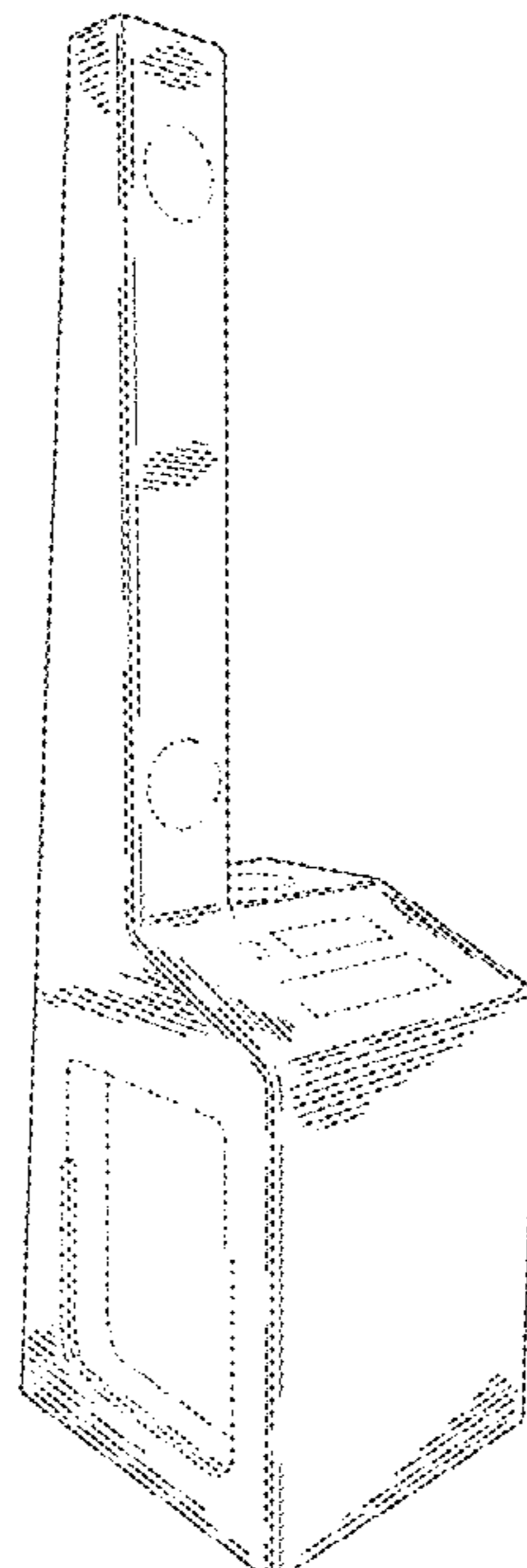


Fig. 1

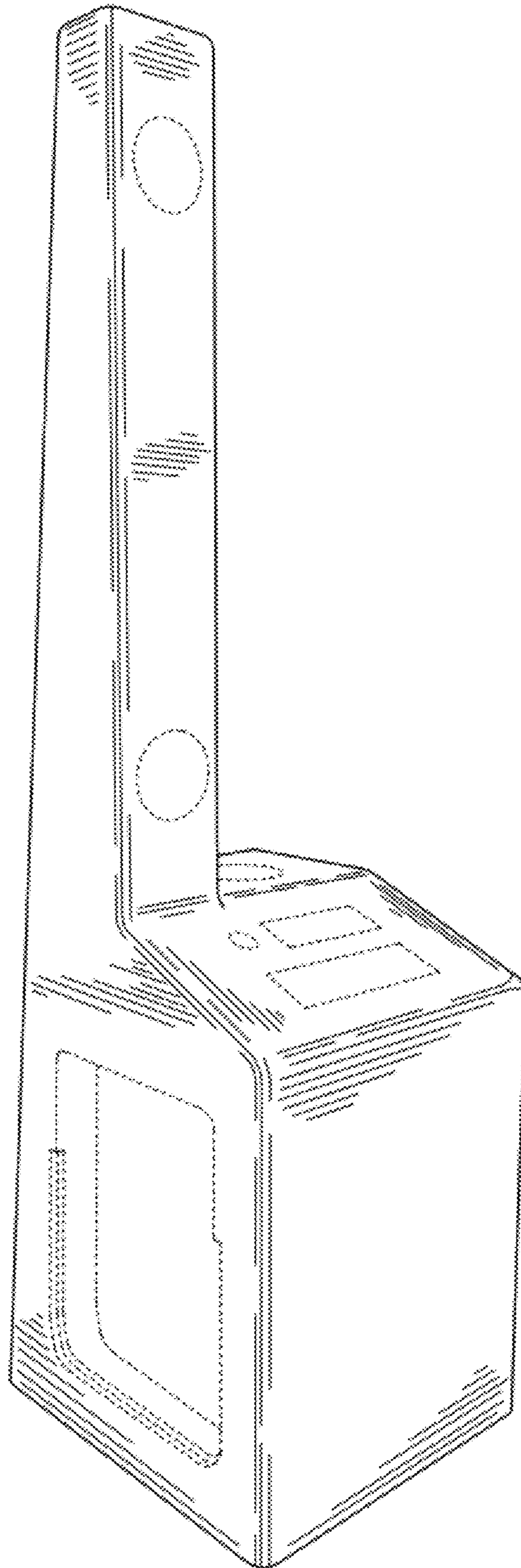


Fig. 2

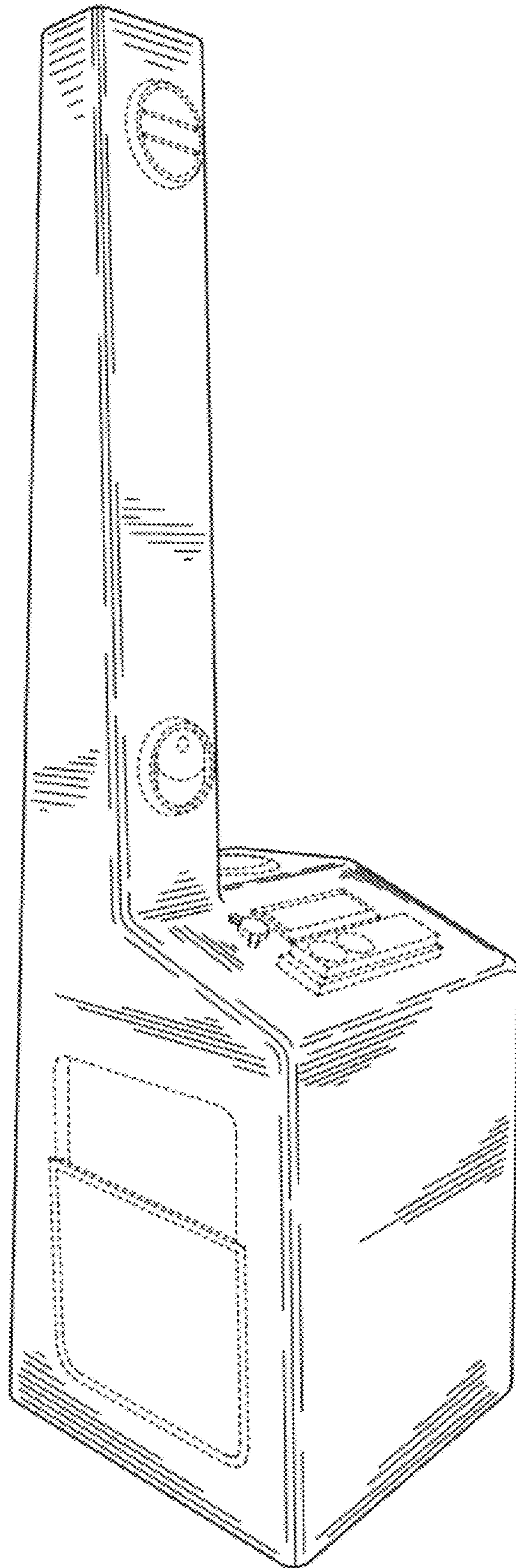
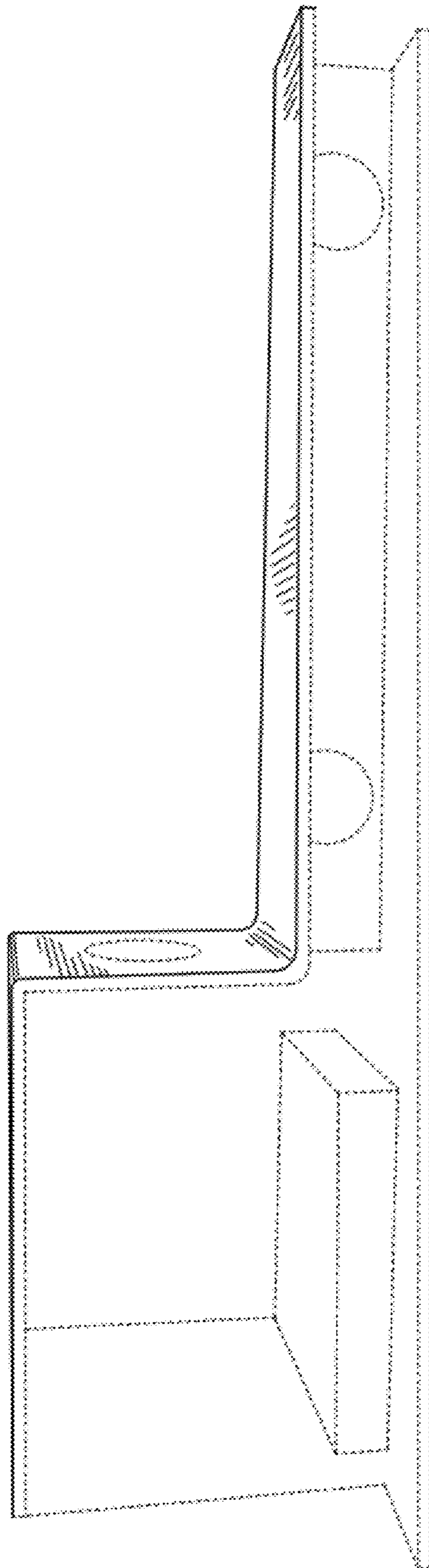


Fig. 3



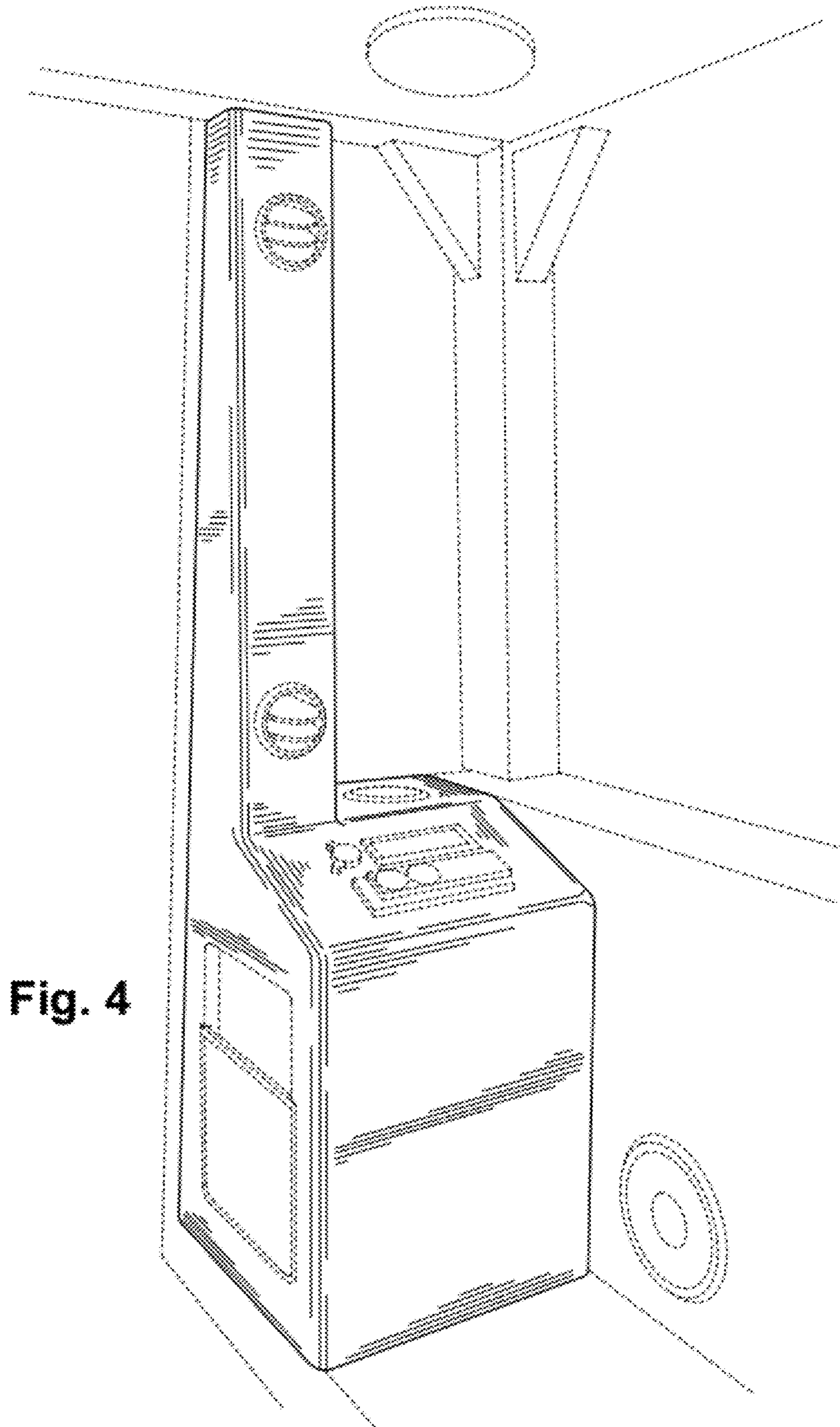


Fig. 4

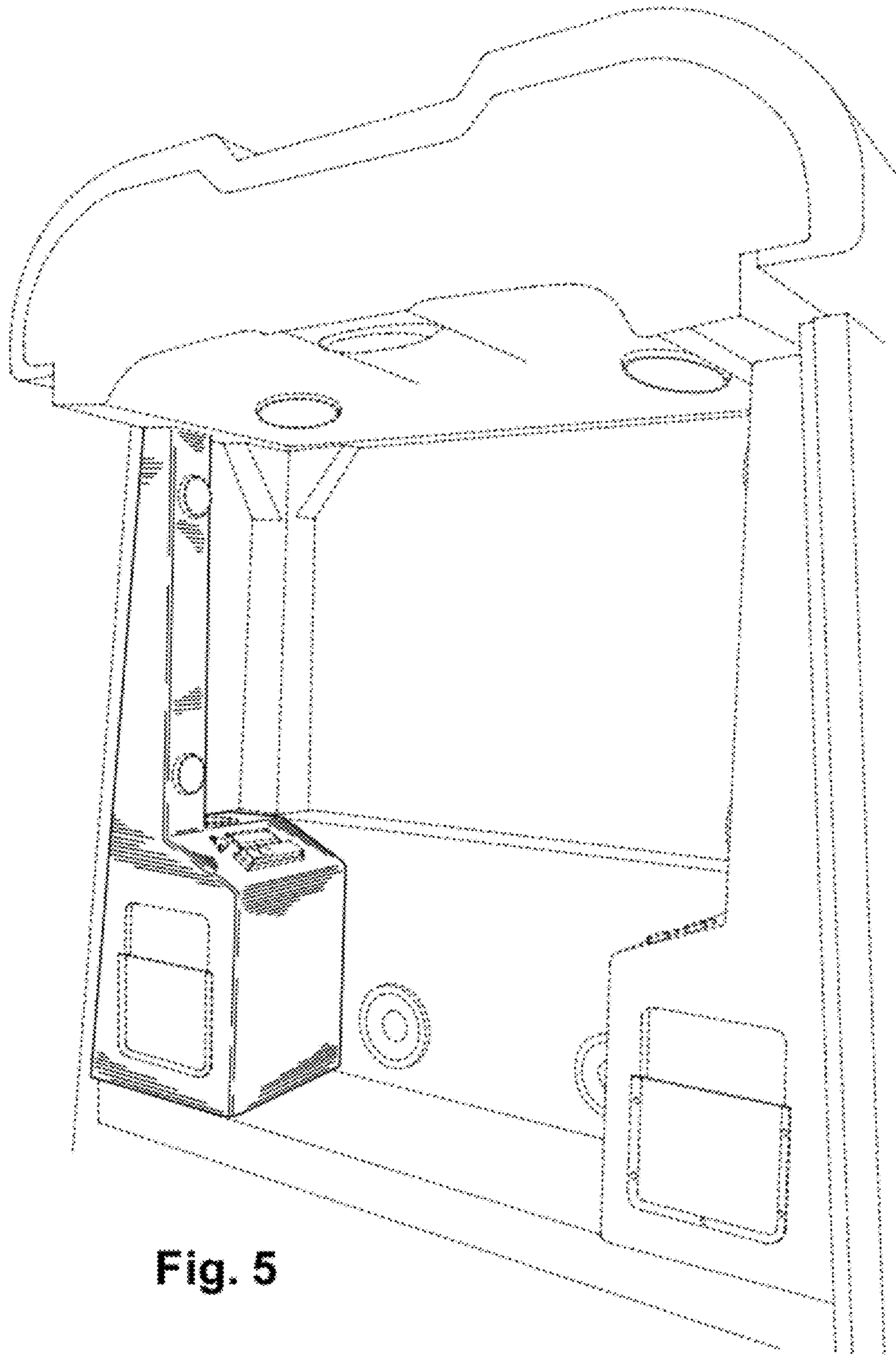


Fig. 5