

US00D667025S

(12) **United States Design Patent**
Wunner

(10) **Patent No.:** **US D667,025 S**

(45) **Date of Patent:** **** Sep. 11, 2012**

(54) **COMBINED INTAKE PORTS AND BEARING BRACKETS FOR A VACUUM PUMP**

Primary Examiner — Ralf Seifert

(74) *Attorney, Agent, or Firm* — Ralph H. Dougherty

(75) Inventor: **Charles H. Wunner**, Charlotte, NC (US)

(73) Assignee: **Vooner FloGard Corporation**,
Charlotte, NC (US)

(57) **CLAIM**

The ornamental design for combined intake ports and bearing brackets for a vacuum pump, as shown and described.

(**) Term: **14 Years**

(21) Appl. No.: **29/374,091**

DESCRIPTION

(22) Filed: **Jul. 1, 2011**

(51) **LOC (9) Cl.** **15-02**

(52) **U.S. Cl.** **D15/7**

(58) **Field of Classification Search** D11/200,
D11/201, 221; 24/381–383, 385–387, 414–417,
24/421–422, 427–431, 433; 2/265
See application file for complete search history.

FIG. 1 is a perspective view of combined intake ports and bearing brackets for a vacuum pump showing my new design. FIG. 2 is a top view thereof; FIG. 3 is a left side view; FIG. 4 is a front view; FIG. 5 is a right side view; FIG. 6 is a bottom view; and, FIG. 7 is a rear view.

The broken lines in FIG. 7 are included for the purpose of illustrating portions of the combined intake ports and bearing brackets for a vacuum pump that form no part of the claimed design.

(56) **References Cited**

U.S. PATENT DOCUMENTS

D384,677 S * 10/1997 Wunner et al. D15/7

* cited by examiner

1 Claim, 5 Drawing Sheets

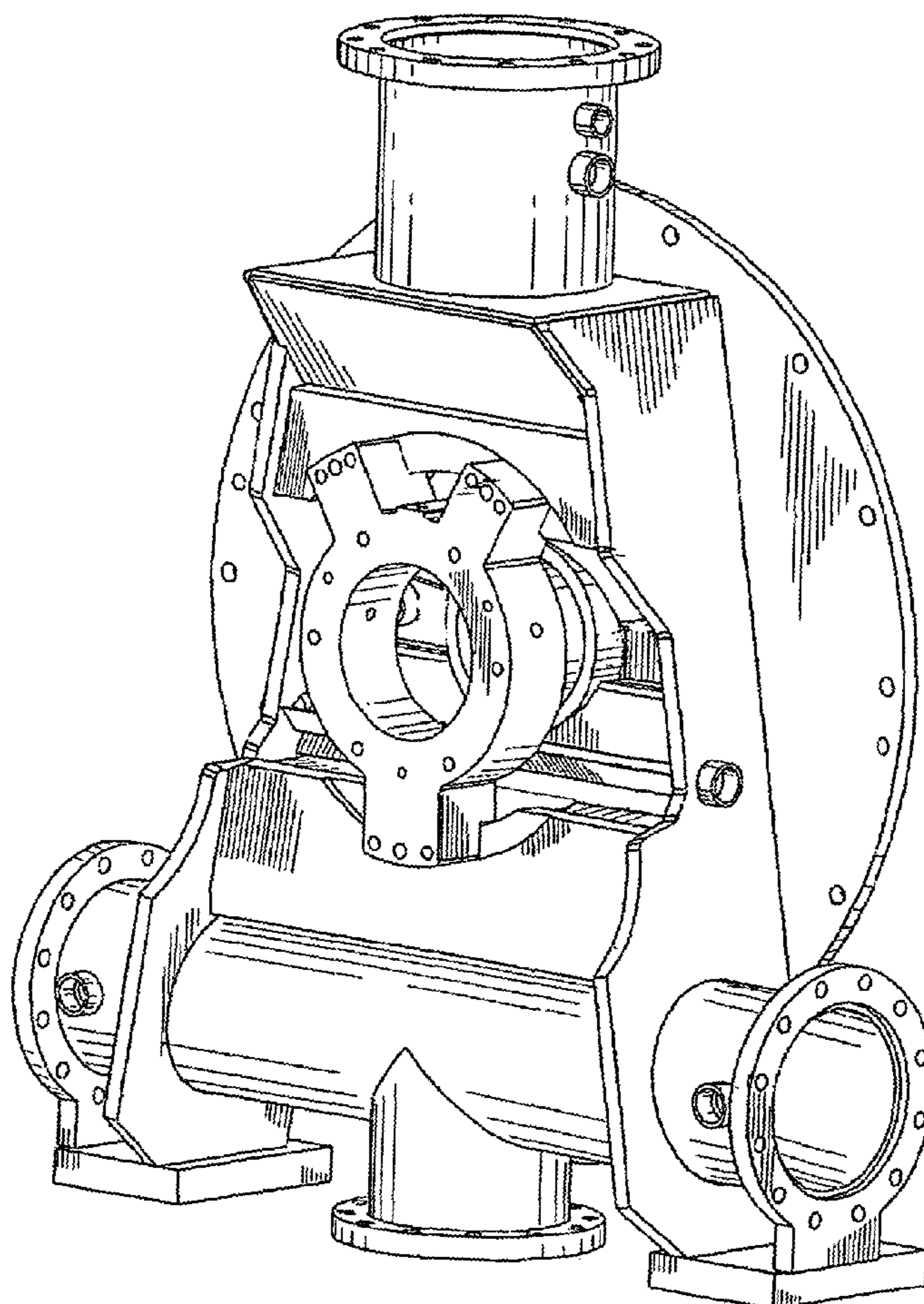


Fig. 1

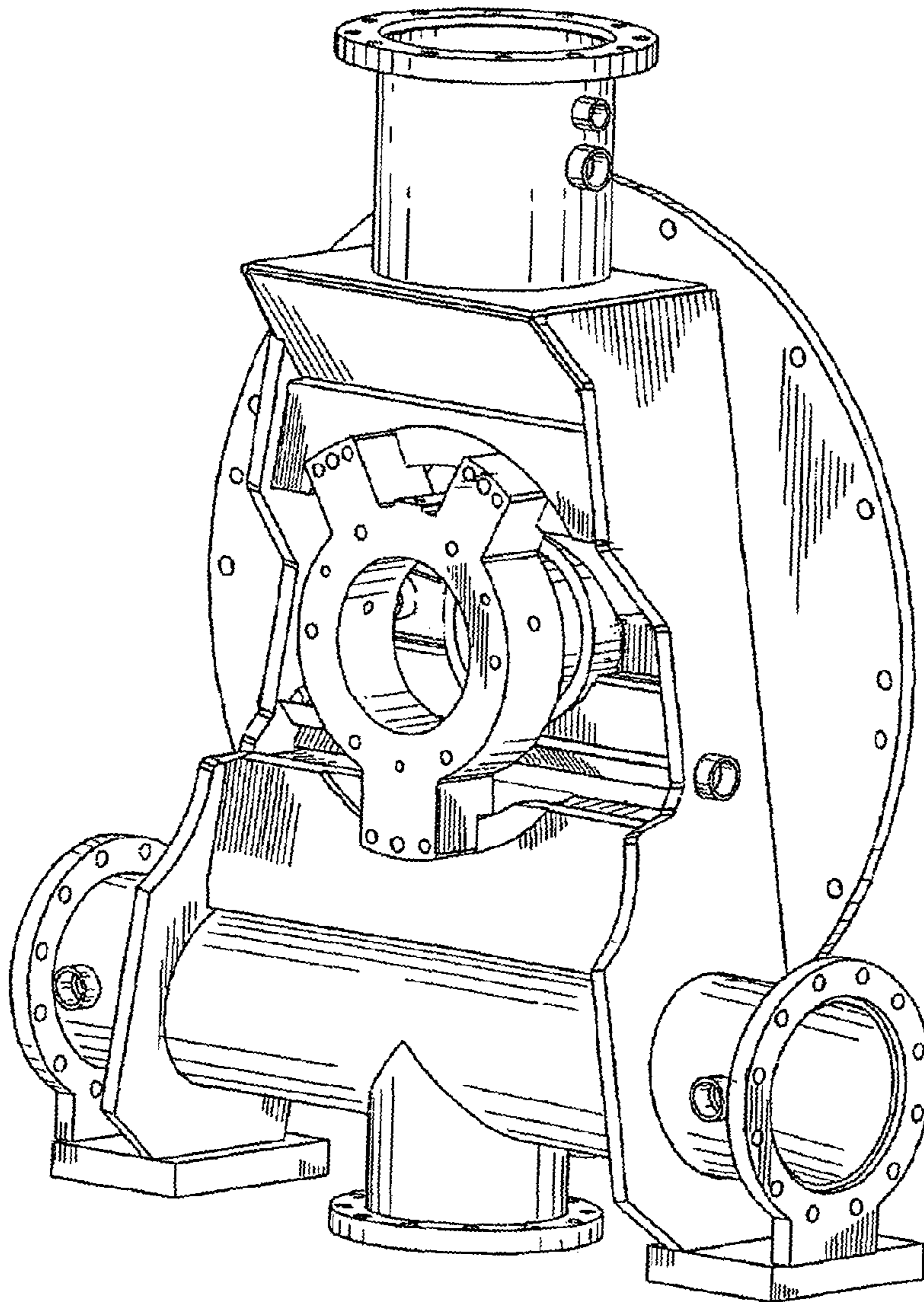


Fig. 2

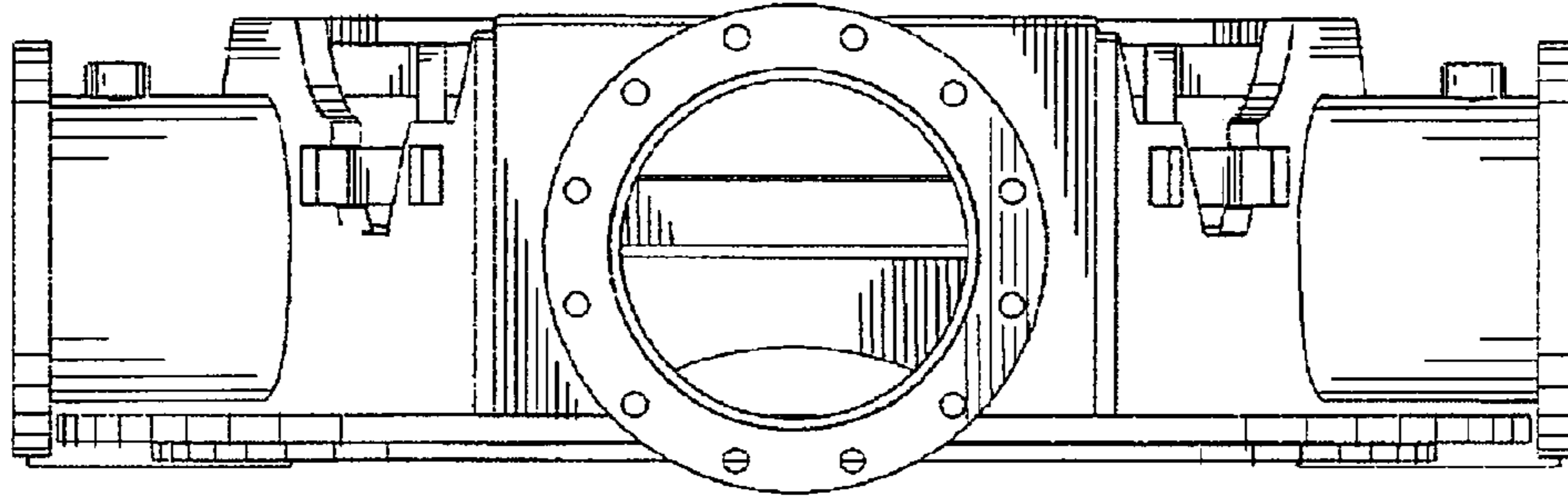


Fig. 6

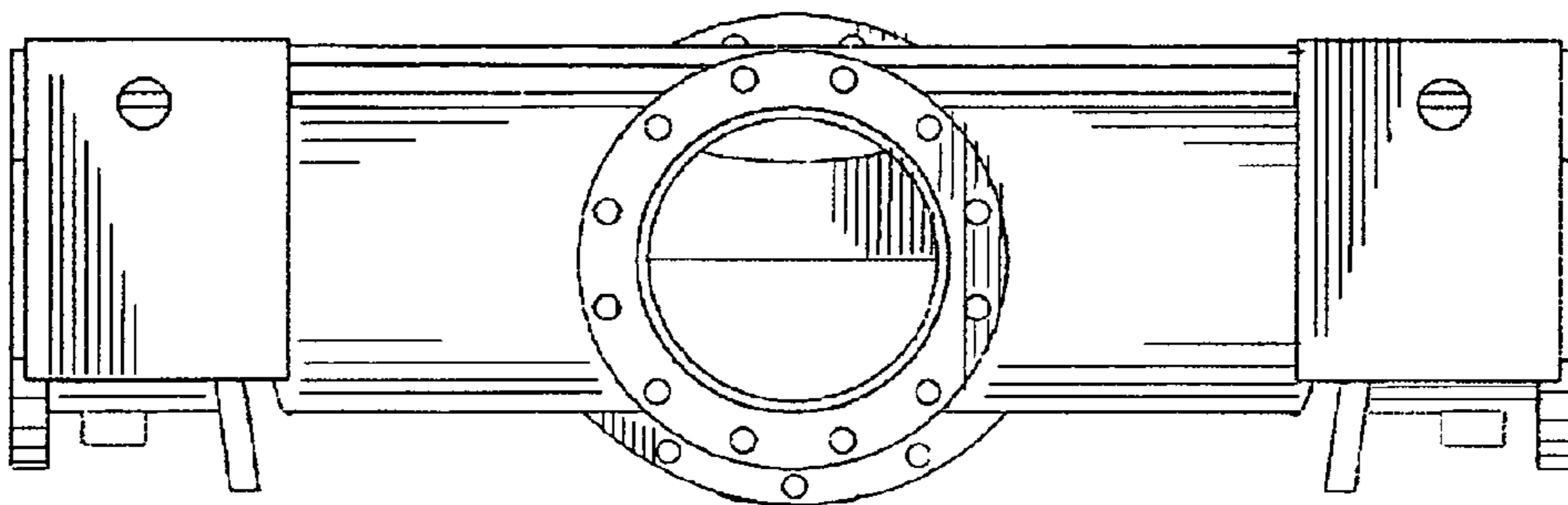


Fig. 3

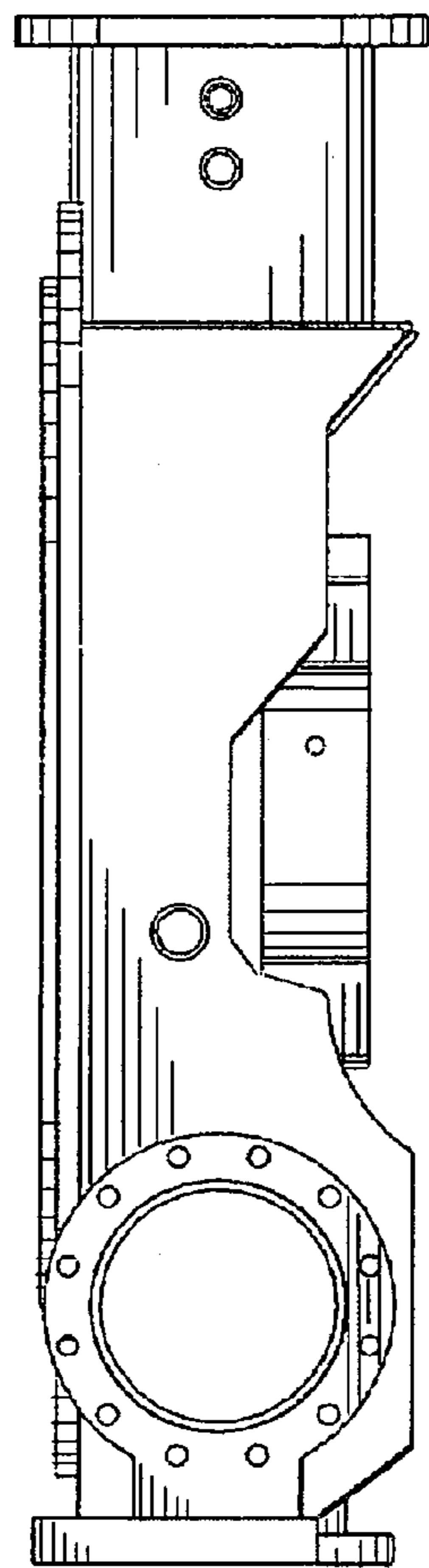


Fig. 5

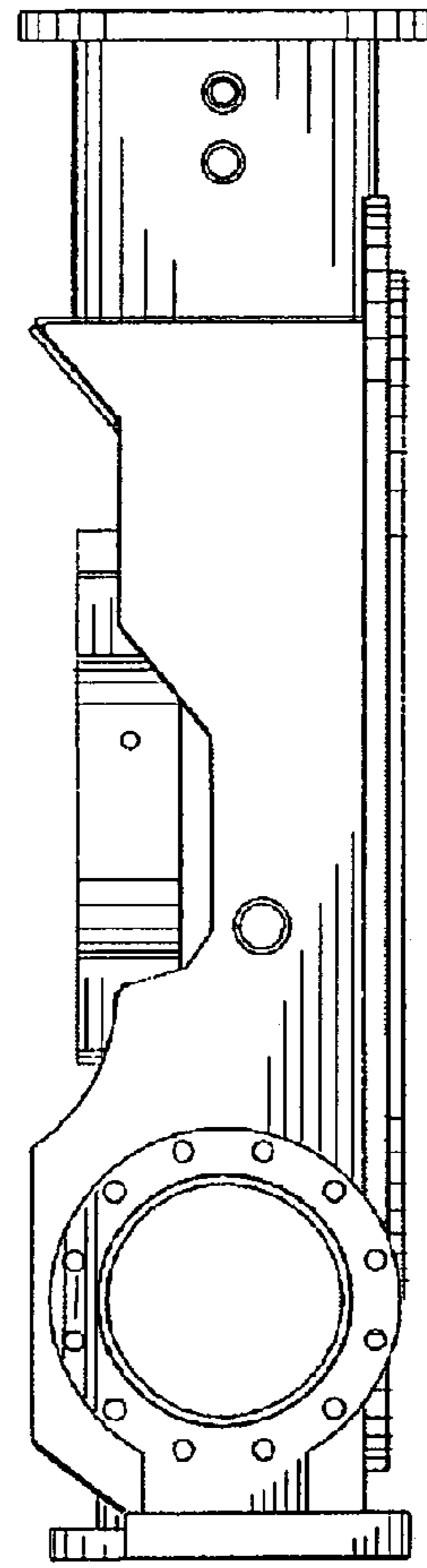


Fig. 4

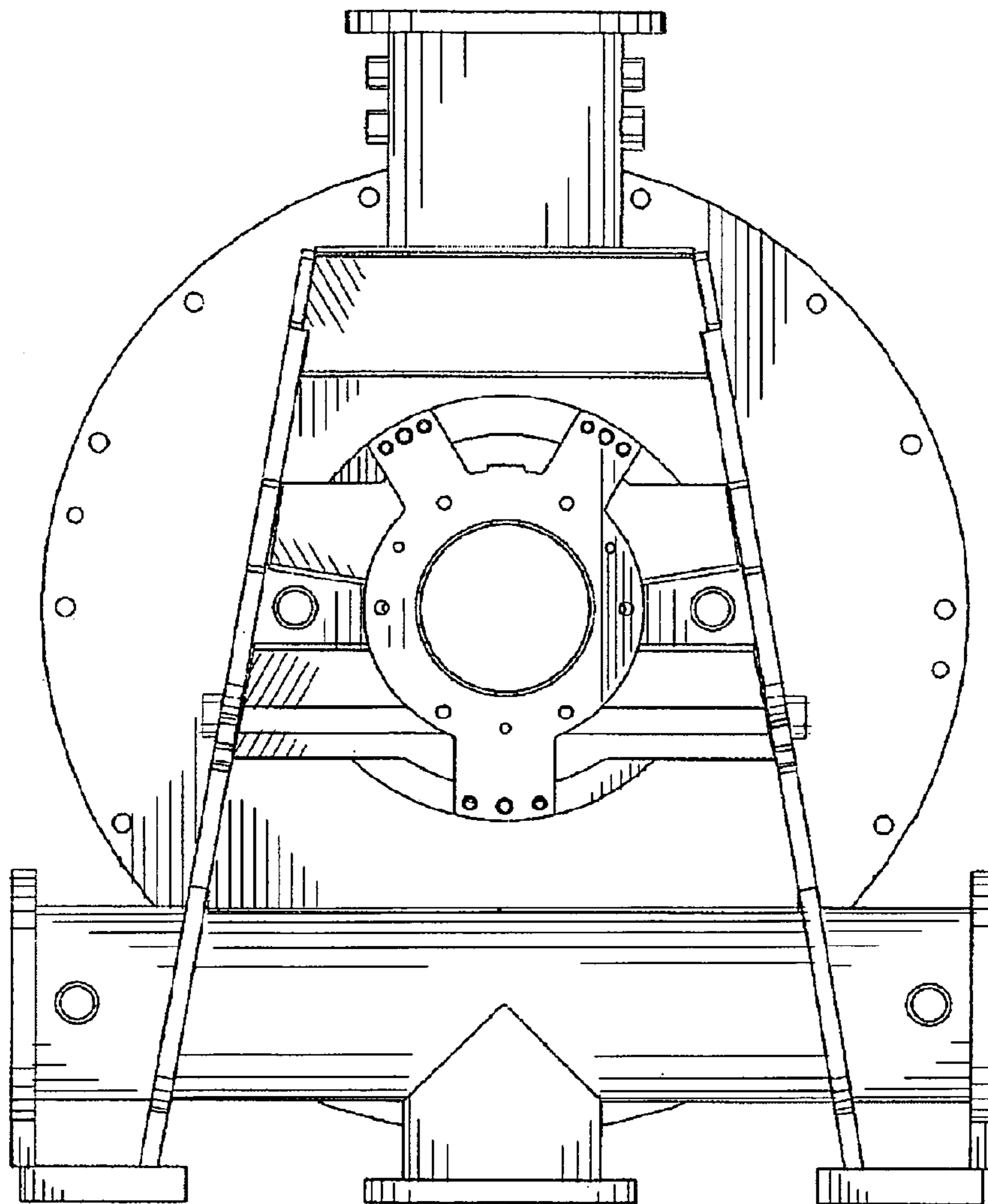


Fig. 7

