



US00D667013S

(12) **United States Design Patent**  
**Harper et al.**

(10) **Patent No.:** **US D667,013 S**

(45) **Date of Patent:** **\*\* Sep. 11, 2012**

(54) **LEVER OF ARM OF STAND**

(75) Inventors: **Pierre Harper**, Santa Cruz, CA (US);  
**David Saylor**, Portland, OR (US); **Kai**  
**Halsinger**, Portland, OR (US); **Tze**  
**Ming Lee**, Singapore (SG); **Thomas**  
**Crisp**, Walnut Creek, CA (US)

(73) Assignee: **Wacom Co., Ltd.**, Kazo-shi (JP)

(\*\*) Term: **14 Years**

(21) Appl. No.: **29/407,373**

(22) Filed: **Nov. 28, 2011**

(51) **LOC (9) Cl.** ..... **08-07**

(52) **U.S. Cl.** ..... **D14/452**

(58) **Field of Classification Search** ..... D14/447,  
D14/432, 434, 457, 452, 451; D3/218; D6/406.3,  
D6/406.4, 406.5, 406.6; D8/363, 373, 380;  
248/917-924, 139, 149, 150, 155.2, 371,  
248/415, 179.3, 324, 687, 688, 441.1, 447,  
248/454, 455, 456, 457, 460; 361/679.04-679.09,  
361/679.21, 679.26, 379.55, 679.56

See application file for complete search history.

(56) **References Cited**

U.S. PATENT DOCUMENTS

|                |         |                  |       |            |
|----------------|---------|------------------|-------|------------|
| D330,021 S *   | 10/1992 | Kline et al.     | ..... | D14/447    |
| D459,729 S *   | 7/2002  | Goto             | ..... | D14/451    |
| D494,977 S *   | 8/2004  | Persson          | ..... | D14/447    |
| 6,816,365 B2 * | 11/2004 | Hill et al.      | ..... | 361/679.44 |
| D554,647 S *   | 11/2007 | Chan             | ..... | D14/447    |
| D573,598 S *   | 7/2008  | Chu              | ..... | D14/447    |
| D577,361 S *   | 9/2008  | Beilstein et al. | ..... | D14/447    |
| D589,964 S *   | 4/2009  | Heggland et al.  | ..... | D14/434    |

|                   |         |                    |       |         |
|-------------------|---------|--------------------|-------|---------|
| D596,187 S *      | 7/2009  | Martell            | ..... | D14/447 |
| D626,964 S *      | 11/2010 | Richardson et al.  | ..... | D14/447 |
| D636,777 S *      | 4/2011  | Corsini et al.     | ..... | D14/434 |
| D638,638 S *      | 5/2011  | Fitzpatrick et al. | ..... | D6/429  |
| D644,230 S *      | 8/2011  | Lin                | ..... | D14/447 |
| 2008/0006753 A1 * | 1/2008  | Campagnoli et al.  | ..... | 248/398 |

\* cited by examiner

*Primary Examiner* — Cynthia Ramirez

(74) *Attorney, Agent, or Firm* — Christensen O'Connor Johnson Kindness PLLC

(57) **CLAIM**

The ornamental design for a lever of an arm of a stand, as shown and described.

**DESCRIPTION**

FIG. 1 is a front elevation view of a lever of an arm of a stand showing our new design, wherein the arm of the stand is shown in a first position relative to the stand which are illustrated as environmental subject matter;

FIG. 2 is rear elevation view thereof;

FIG. 3 is a left side elevation view thereof, wherein the right side elevation view is a mirror image of FIG. 3;

FIG. 4 is a top plan view thereof;

FIG. 5 is a bottom plan view thereof;

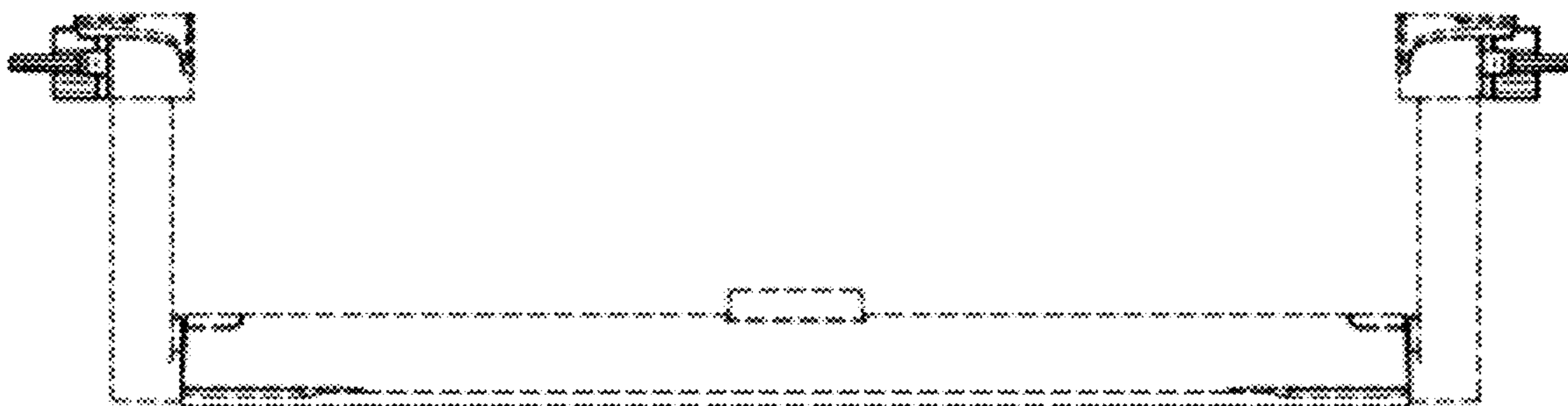
FIG. 6 is a front right isometric view thereof, further illustrating a display on the stand as environmental subject matter;

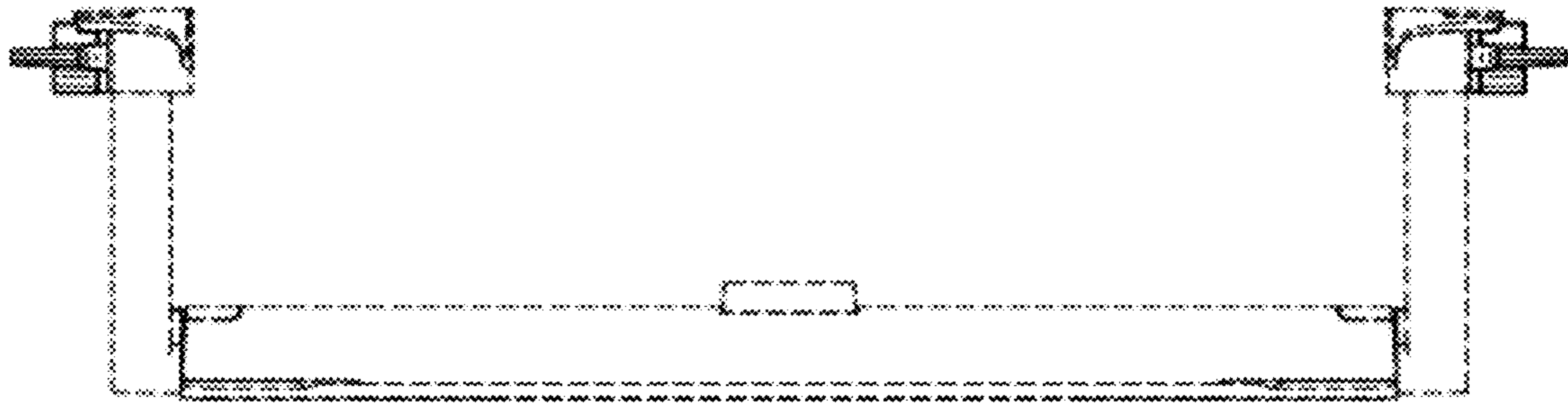
FIG. 7 is an additional left side elevation view thereof, wherein the arm of the stand is shown in a second position relative to the stand, and wherein the corresponding right side elevation view is a mirror image of FIG. 7; and,

FIG. 8 is an additional front right isometric view thereof.

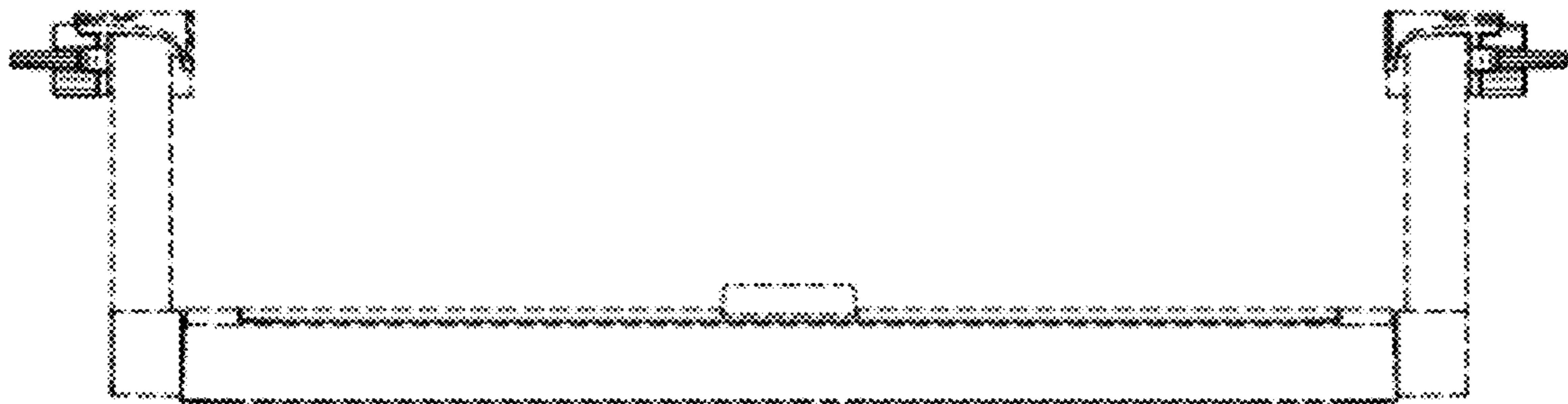
The broken lines in FIGS. 1 through 8 illustrate environmental subject matter and form no part of the claimed design.

**1 Claim, 3 Drawing Sheets**

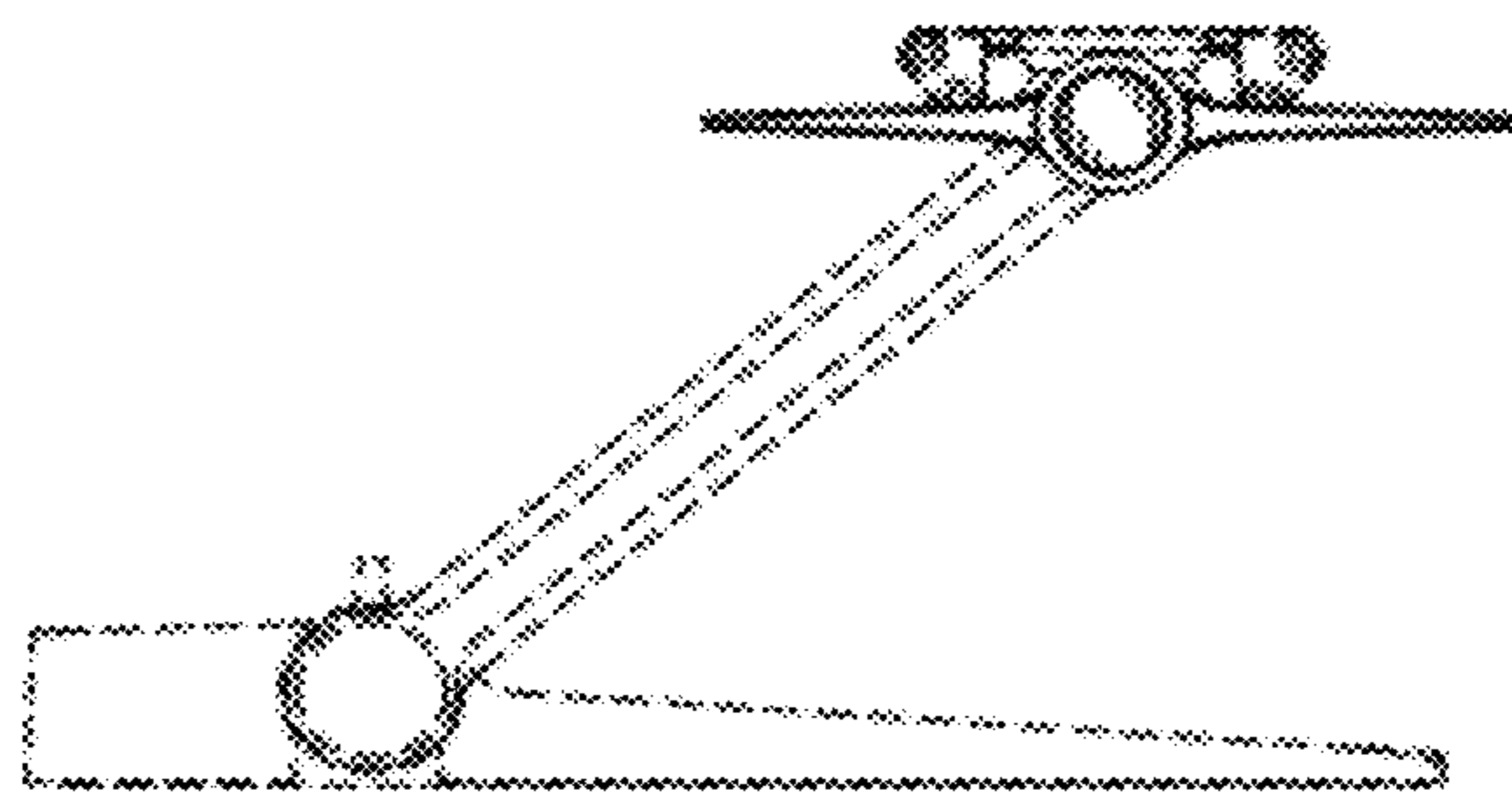




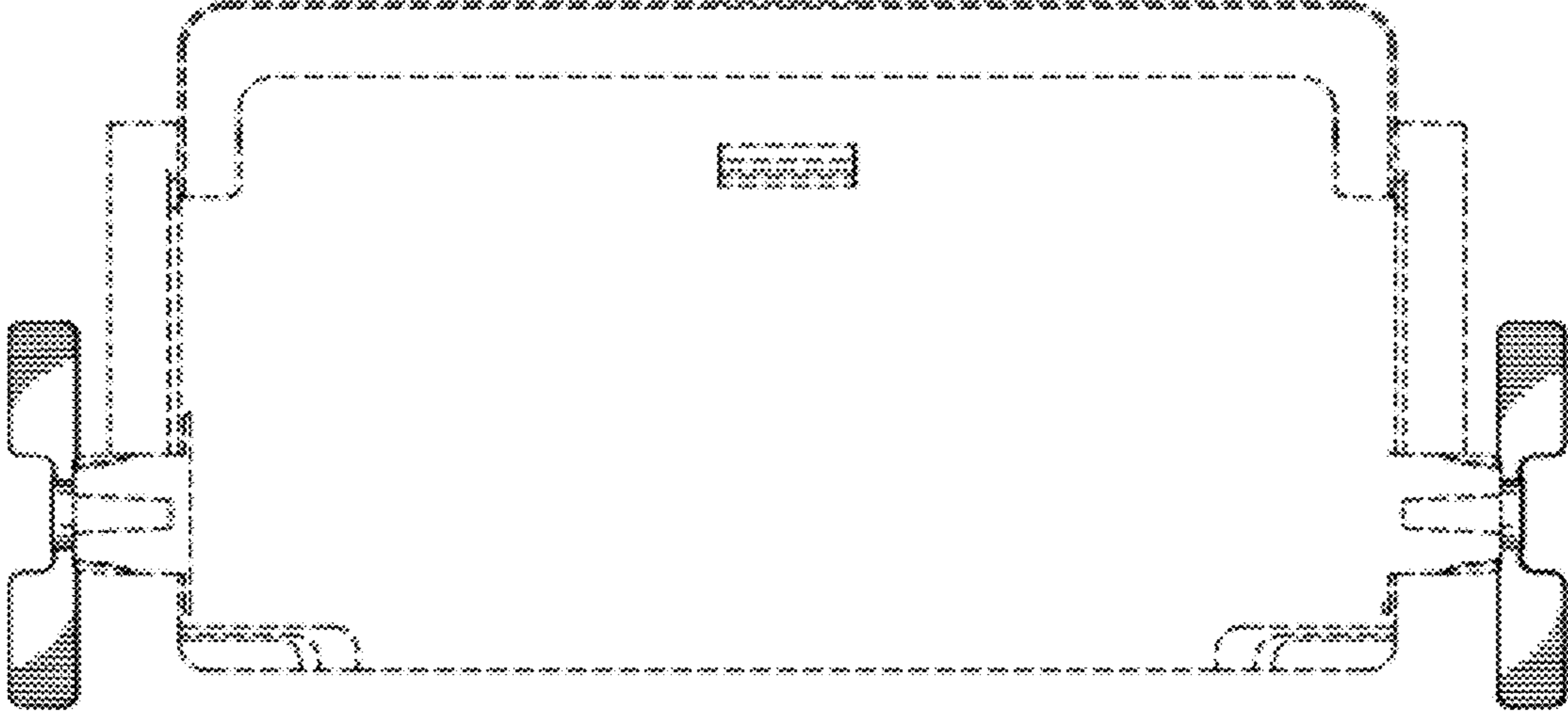
*Fig. 1.*



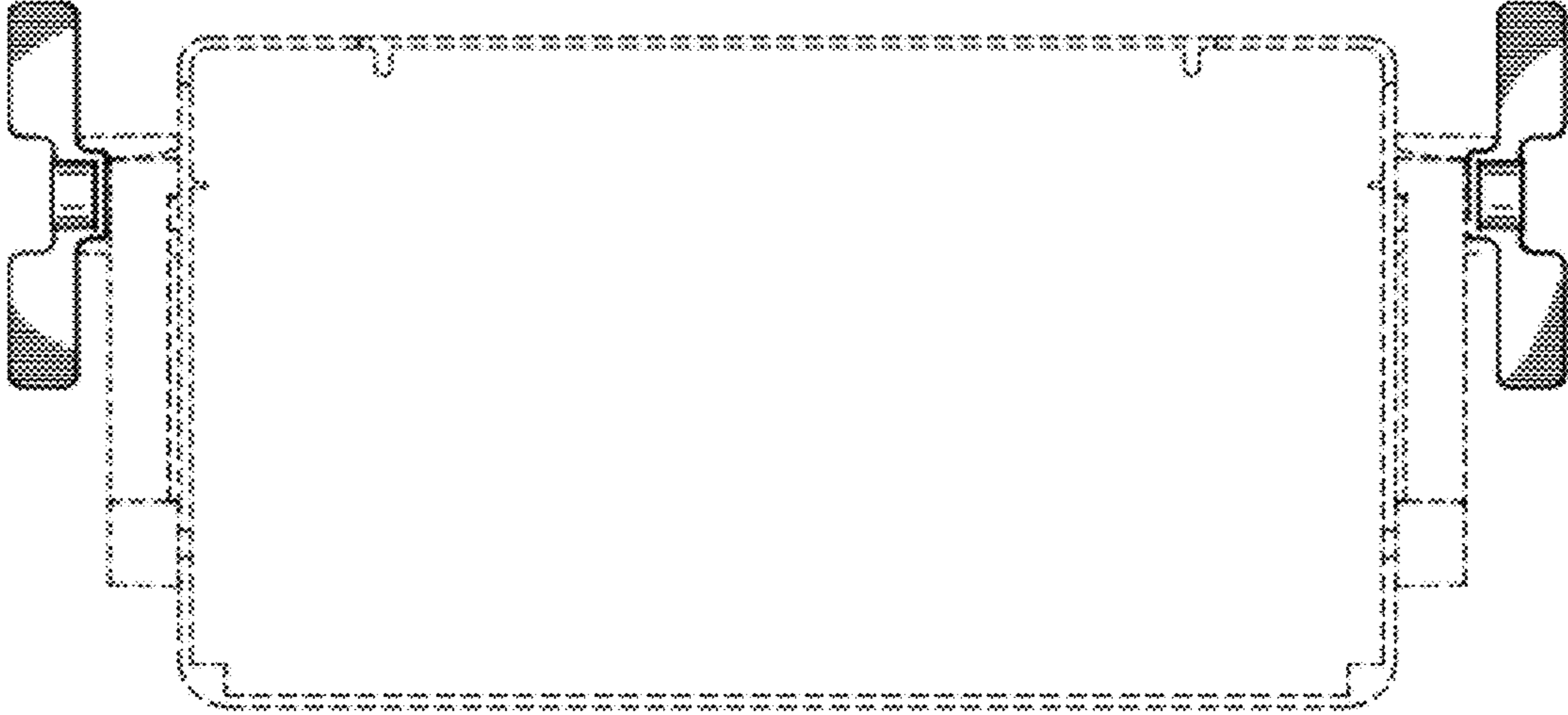
*Fig. 2.*



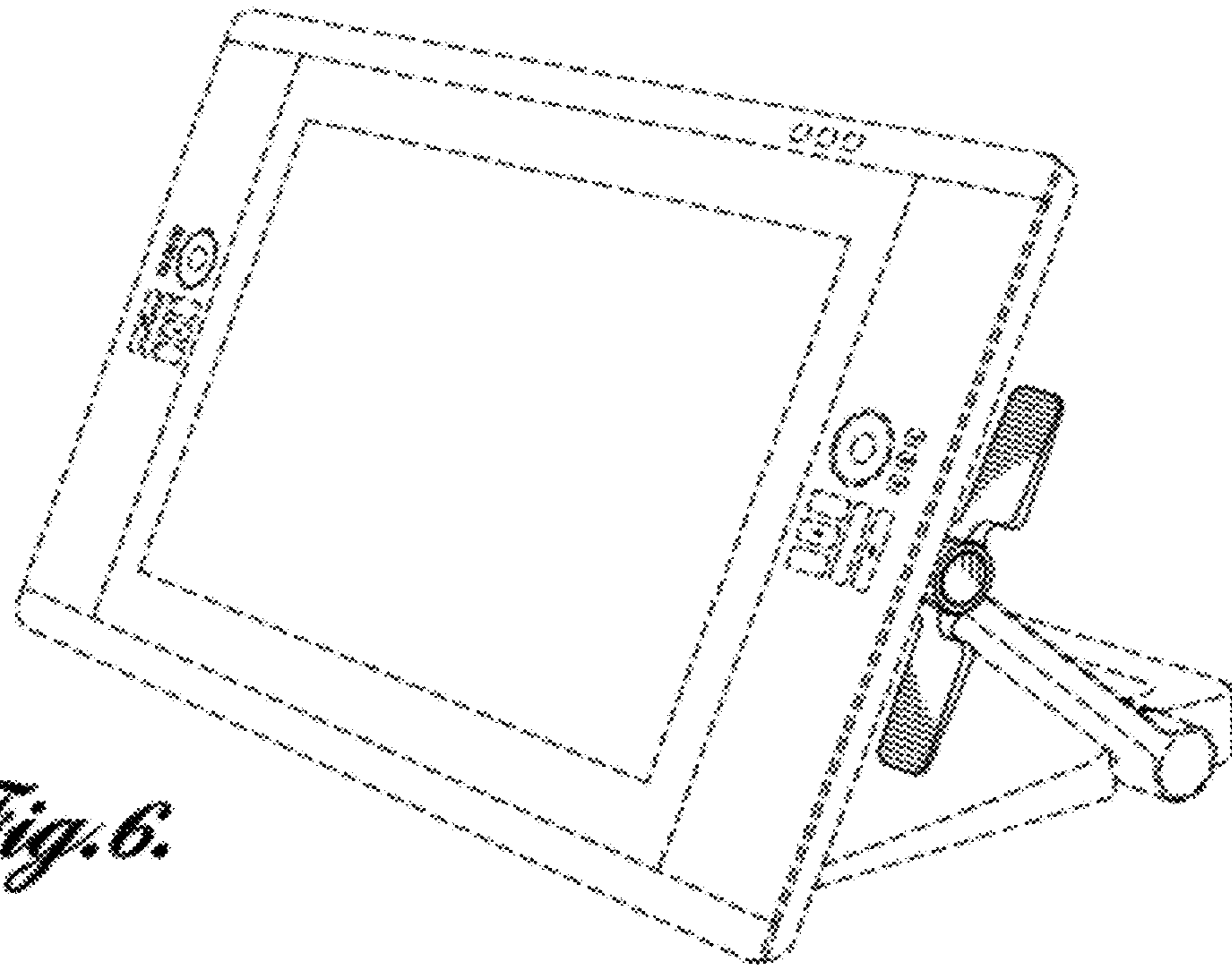
*Fig. 3.*



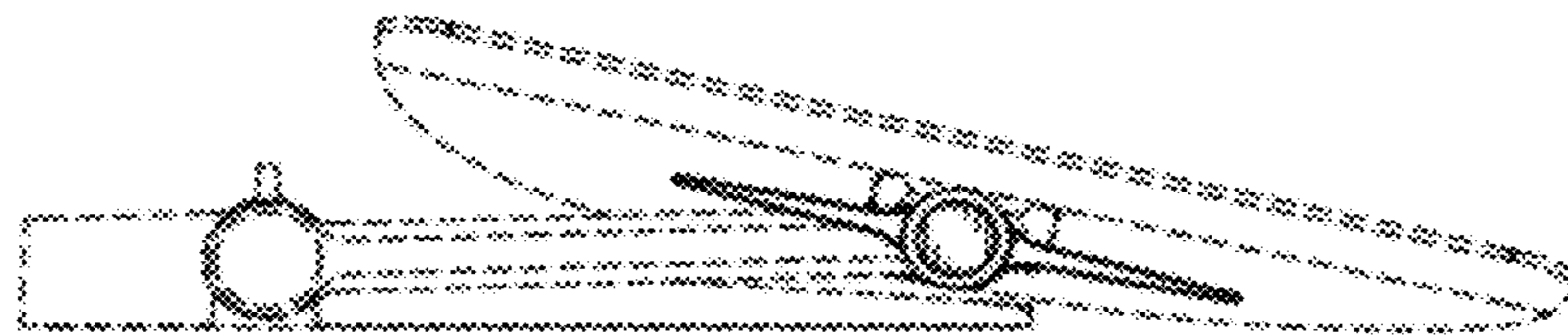
*Fig. 4.*



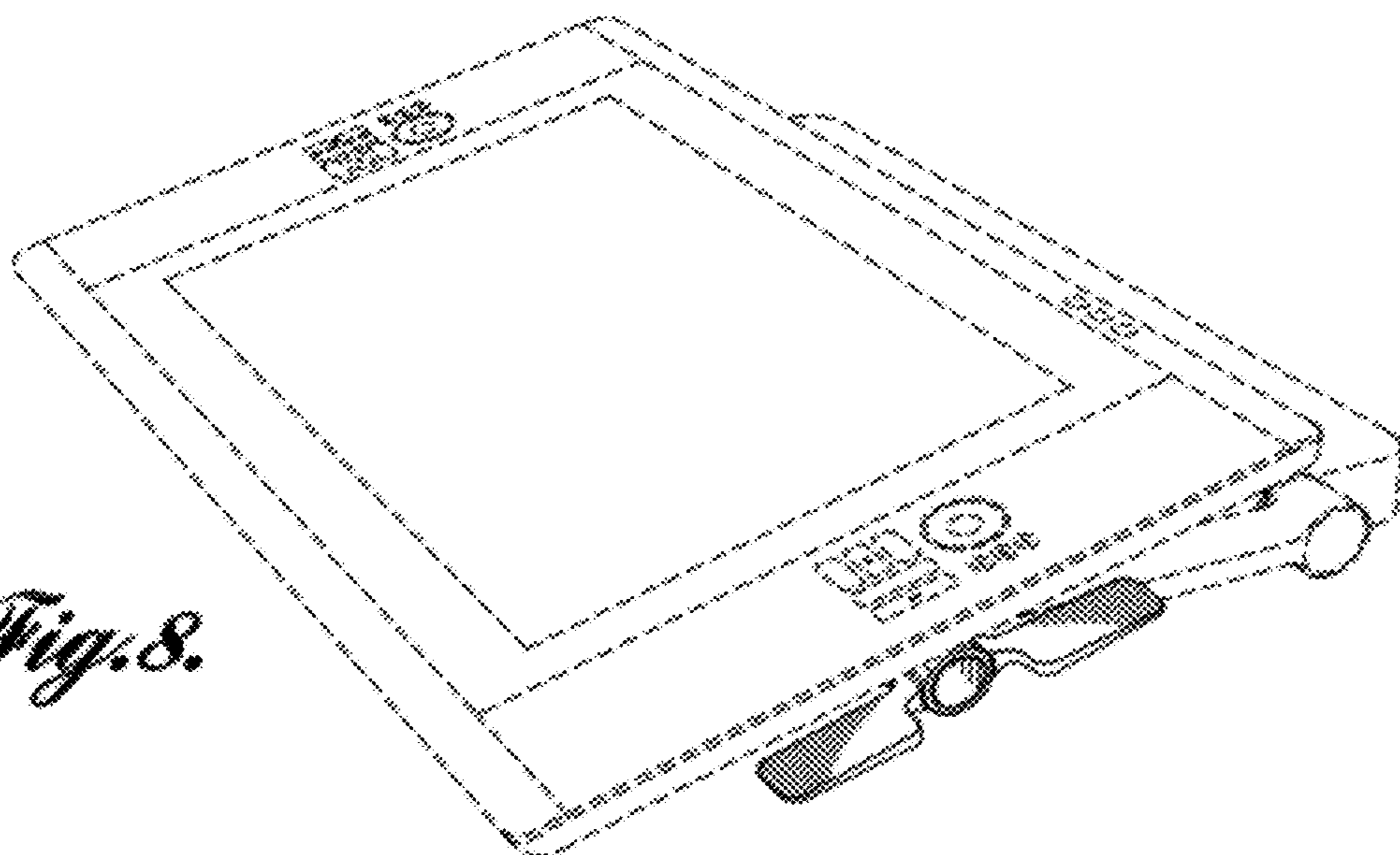
*Fig. 5.*



*Fig. 6.*



*Fig. 7.*



*Fig. 8.*

UNITED STATES PATENT AND TRADEMARK OFFICE  
**CERTIFICATE OF CORRECTION**

PATENT NO. : D667,013 S  
APPLICATION NO. : 29/407373  
DATED : September 11, 2012  
INVENTOR(S) : P. Harper et al.

Page 1 of 1

It is certified that error appears in the above-identified patent and that said Letters Patent is hereby corrected as shown below:

On the Title page

Item (30) Pg. 1, col. 1, After 10 of text Insert:

--Foreign Application Priority Data

May 27, 2011 (JP)....2011-011888

May 27, 2011 (JP)....2011-011892--

Pg. 1, col. 2, Description, line 5 of text "FIG. 2 is rear" should read --FIG. 2 is a rear--

Signed and Sealed this  
Fifteenth Day of July, 2014



Michelle K. Lee  
*Deputy Director of the United States Patent and Trademark Office*