



US00D667012S

(12) **United States Design Patent**
Chen et al.

(10) **Patent No.:** **US D667,012 S**
(45) **Date of Patent:** **** Sep. 11, 2012**

(54) **ADAPTOR FOR TABLET PERSONAL
COMPUTER**

(75) Inventors: **Hsiu-Wen Chen**, New Taipei (TW);
Jung-Wen Chang, Taoyuan County
(TW); **Shih-Yun Lee**, New Taipei (TW)

(73) Assignee: **Quanta Computer Inc.**, Taoyuan Shien
(TW)

(**) Term: **14 Years**

(21) Appl. No.: **29/407,062**

(22) Filed: **Nov. 22, 2011**

(30) **Foreign Application Priority Data**

Sep. 2, 2011 (TW) 100304573

(51) **LOC (9) Cl.** **08-07**

(52) **U.S. Cl.** **D14/447**

(58) **Field of Classification Search** D14/447,
D14/432, 433, 434, 439, 448, 451, 452, 217,
D14/239, 250, 251, 253, 238.1; D13/107,
D13/108; D21/333; D6/300, 310, 311, 312,
D6/406.1, 406.2, 406.3, 406.4, 406.5, 406.6,
D6/419; D8/363, 373, 380

See application file for complete search history.

(56) **References Cited**

U.S. PATENT DOCUMENTS

D457,162	S	*	5/2002	Hawkins et al.	D14/434
D470,536	S	*	2/2003	Soga	D21/333
D494,182	S	*	8/2004	Singer et al.	D14/451
D558,774	S	*	1/2008	Najima et al.	D14/447
D599,801	S	*	9/2009	Skaf et al.	D14/434
D603,840	S	*	11/2009	Lee et al.	D14/217
D635,918	S	*	4/2011	Le et al.	D13/108
D642,519	S	*	8/2011	Woo et al.	D13/108
D648,325	S	*	11/2011	Akana et al.	D14/217
D650,783	S	*	12/2011	Ausfeld et al.	D14/434
D652,834	S	*	1/2012	Jones et al.	D14/434
8,162,283	B1	*	4/2012	Royz et al.	248/455
2012/0074286	A1	*	3/2012	Chou	248/346.03

* cited by examiner

Primary Examiner — Angela J Lee

(74) *Attorney, Agent, or Firm* — Rabin & Berdo, P.C.

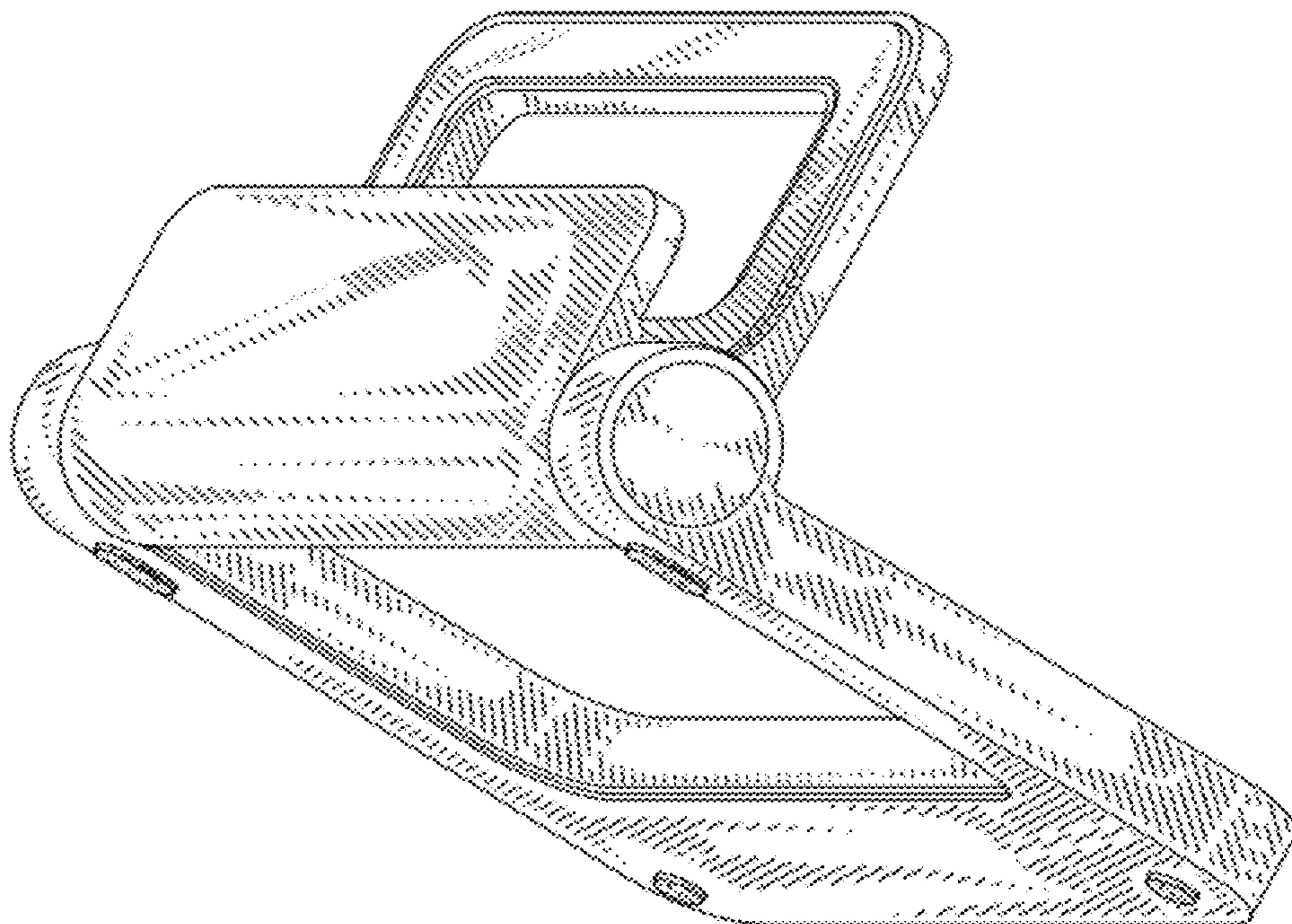
(57) **CLAIM**

The ornamental design for an adaptor for tablet personal computer, as shown.

DESCRIPTION

FIG. 1 is a perspective view of an adaptor for tablet personal computer showing our new design;
FIG. 2 is a front view thereof;
FIG. 3 is a rear view thereof;
FIG. 4 is a left side view thereof;
FIG. 5 is a right side view thereof;
FIG. 6 is a top view thereof; and,
FIG. 7 is a bottom view thereof.

1 Claim, 4 Drawing Sheets



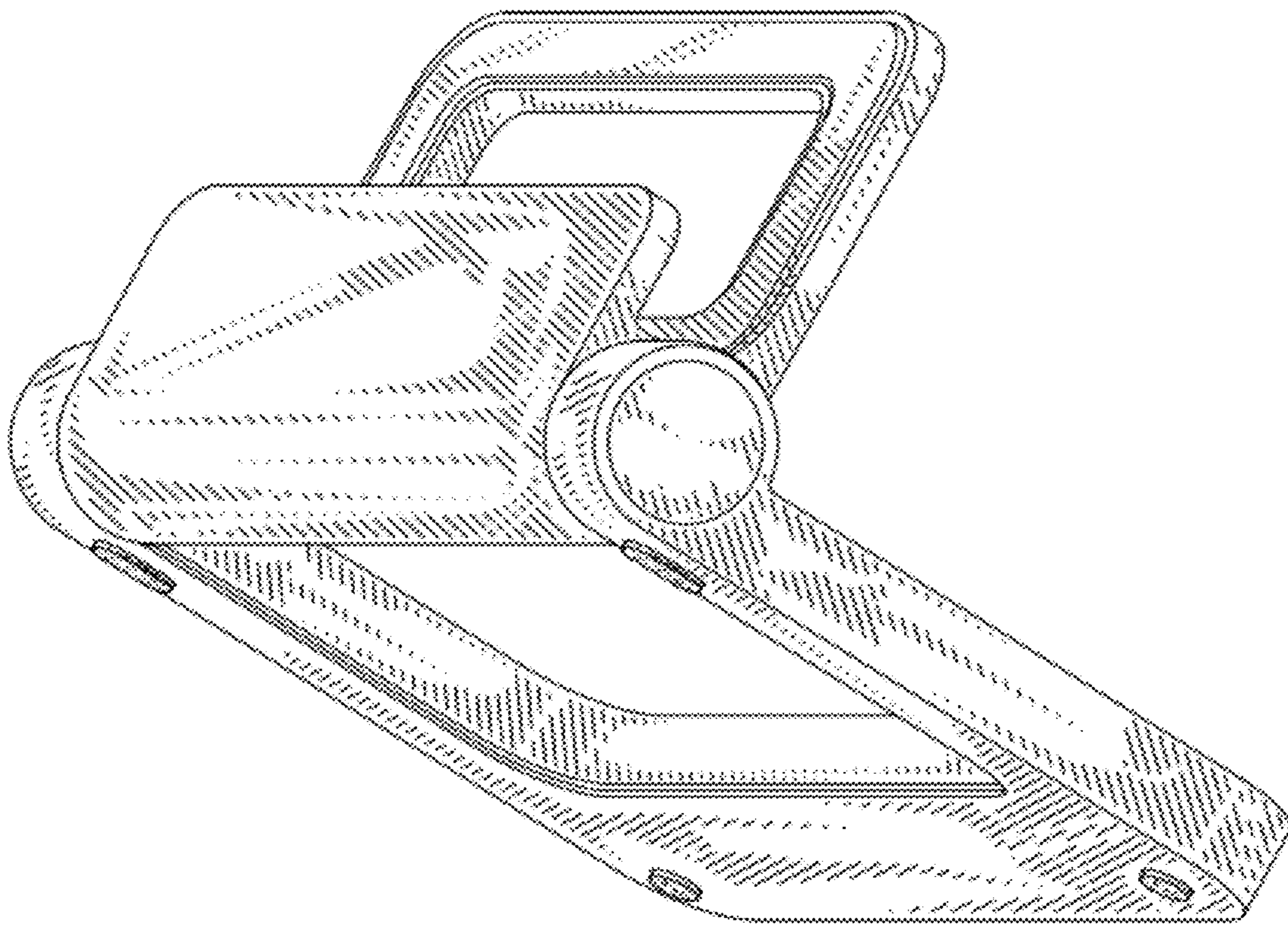


FIG. 1

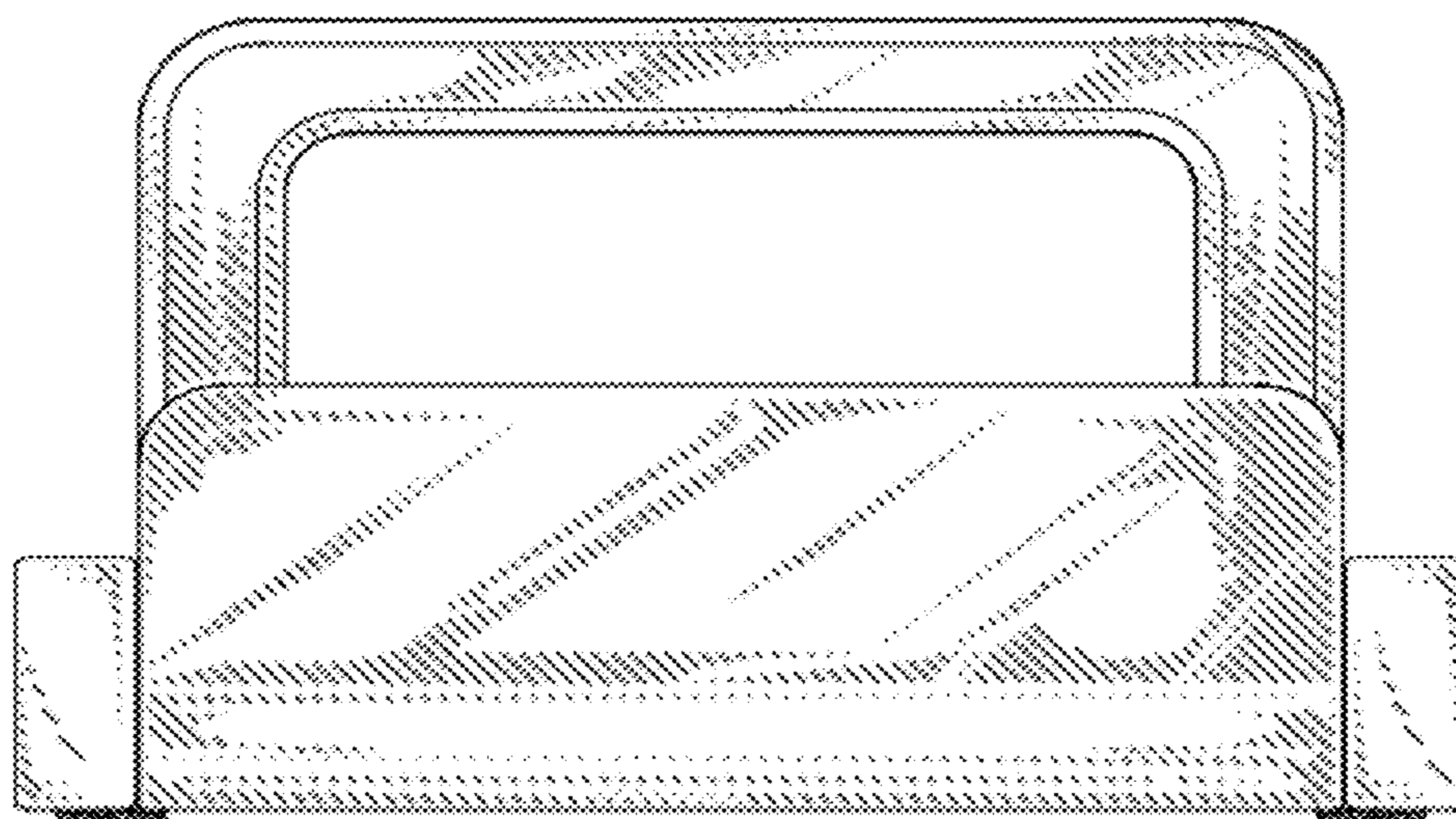


FIG. 2

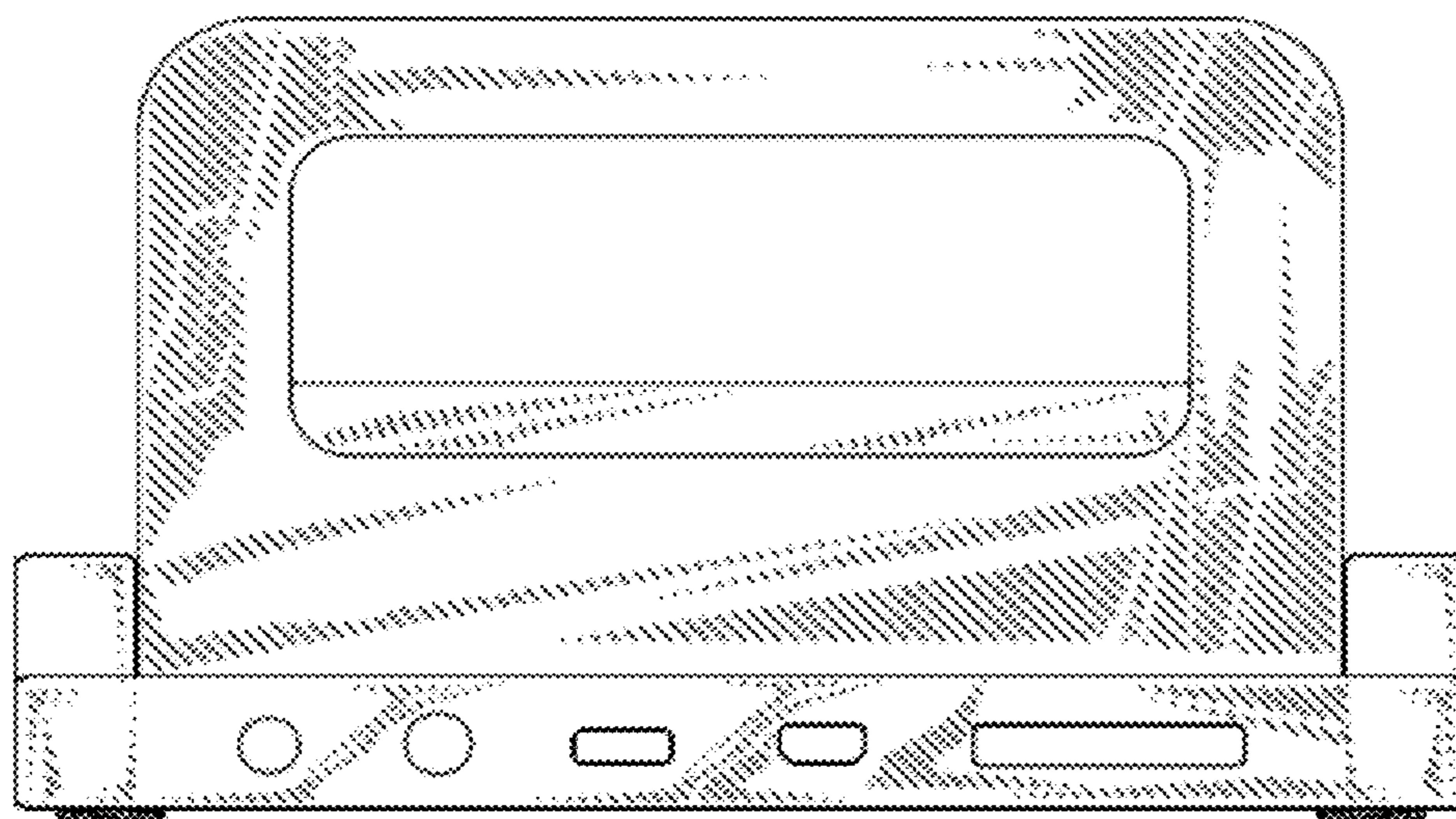


FIG. 3

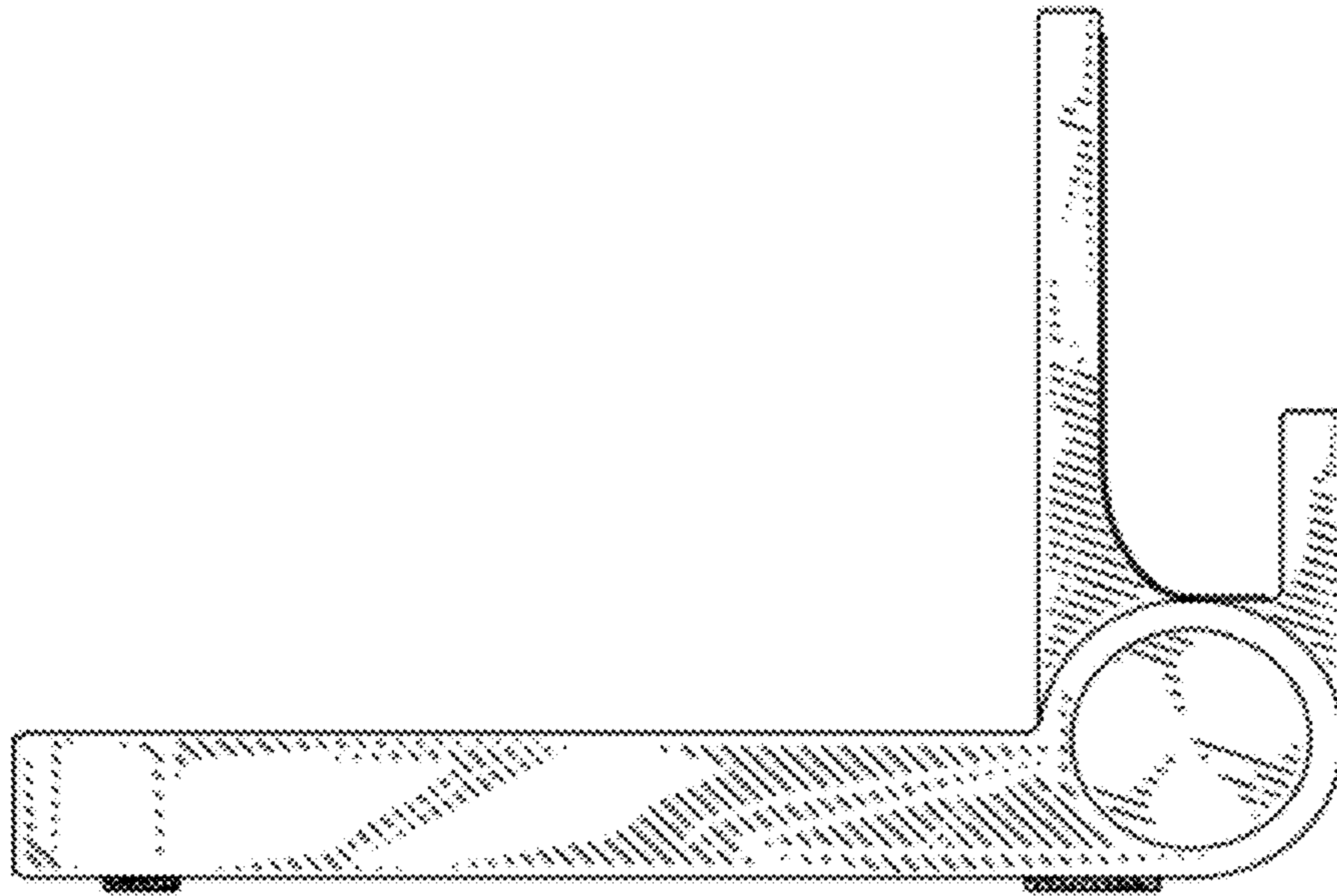


FIG. 4

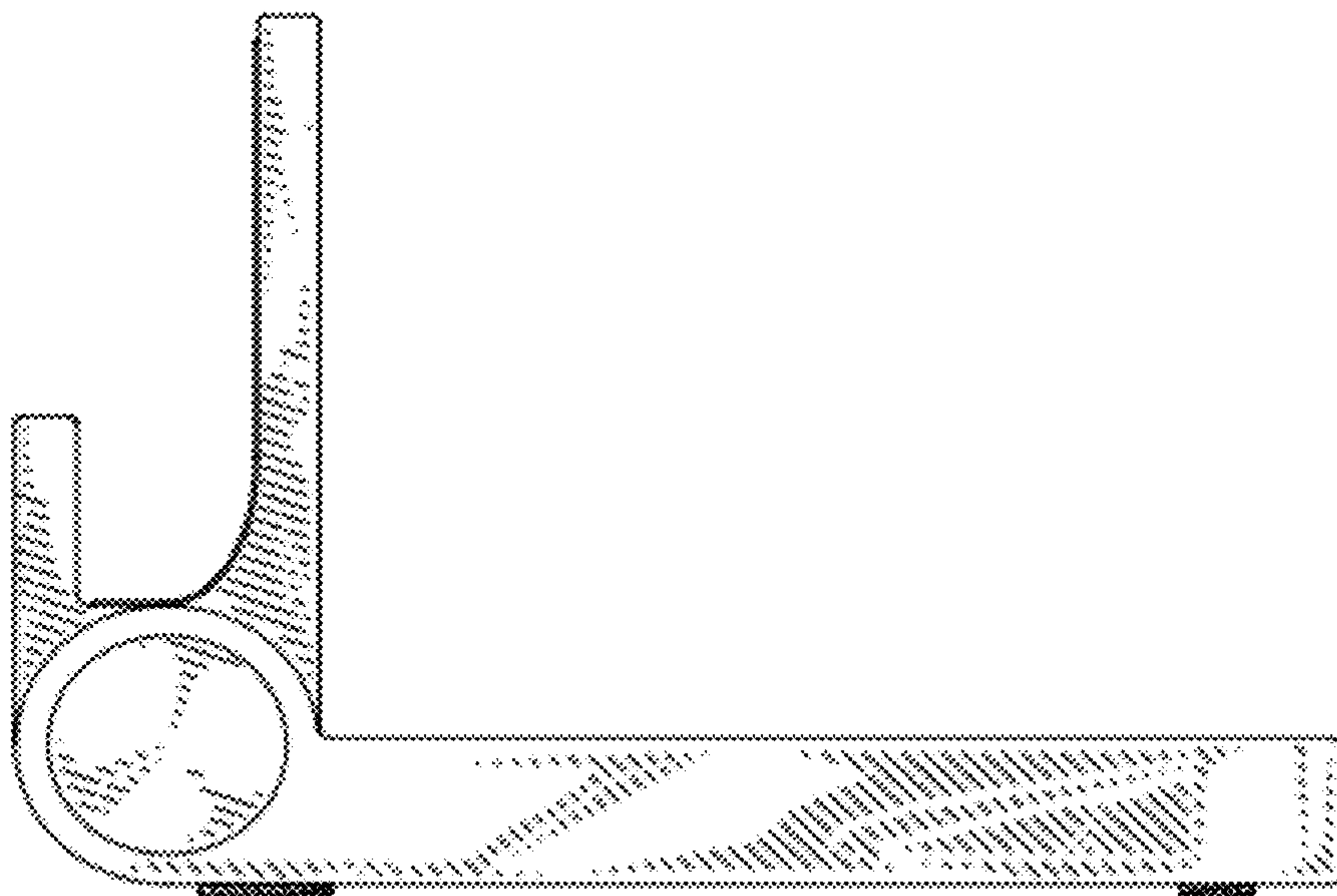


FIG. 5

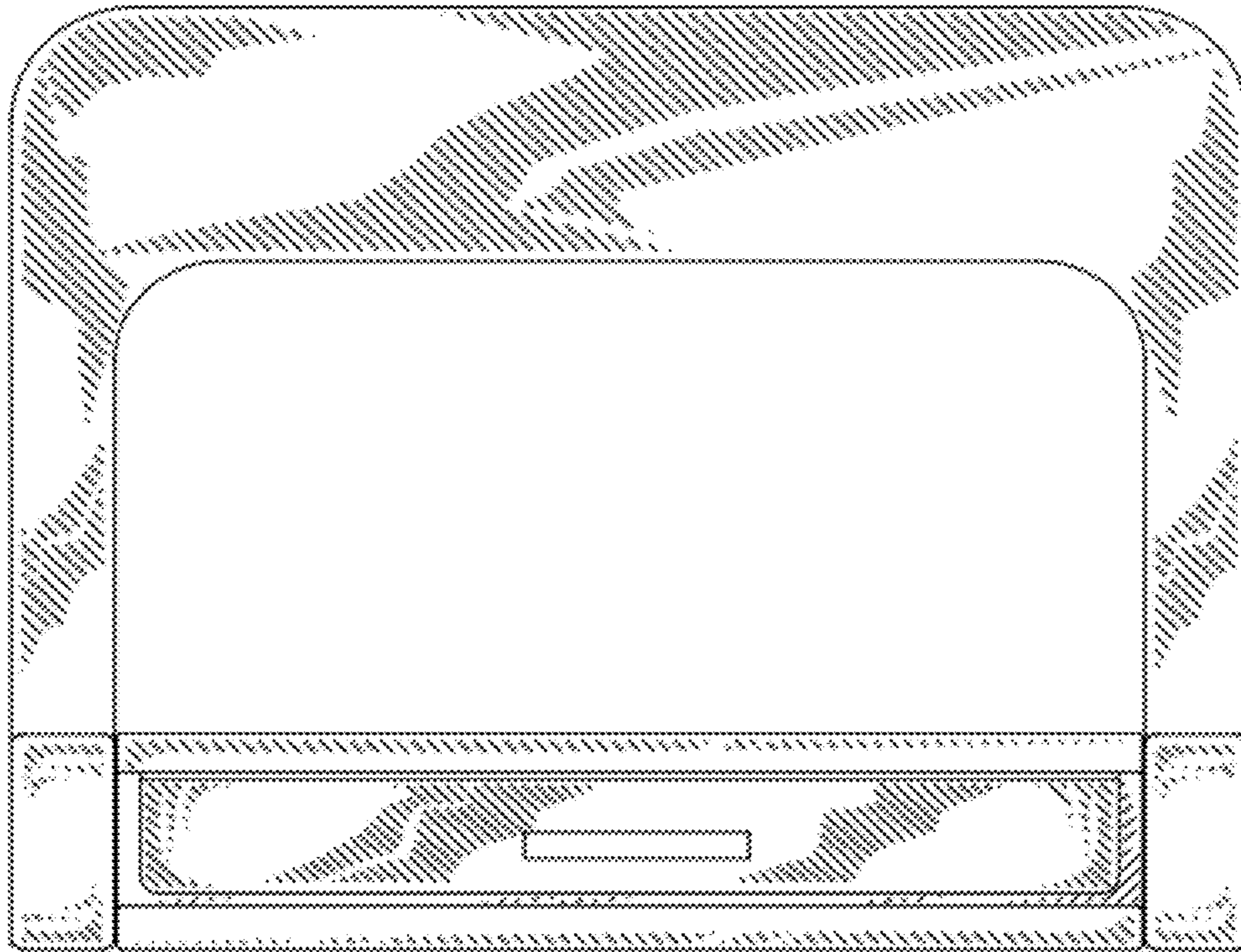


FIG. 6

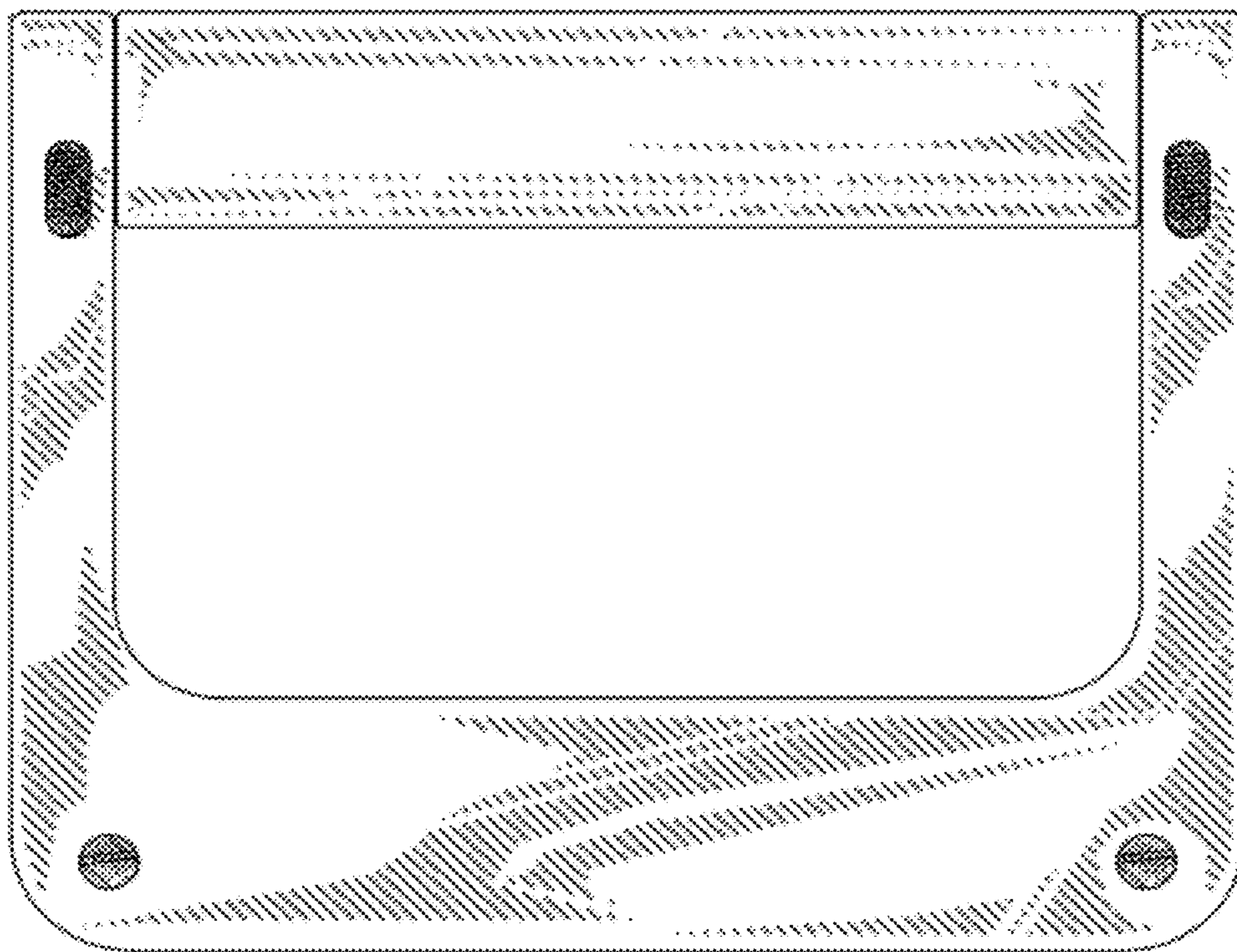


FIG. 7