

US00D667010S

(12) **United States Design Patent**
Firth et al.

(10) **Patent No.:** **US D667,010 S**
(45) **Date of Patent:** **** Sep. 11, 2012**

(54) **HANDHELD SCANNER**

(76) Inventors: **David G. Firth**, Cle Elum, WA (US);
Brendan O. Beardsley, Ellensburg, WA
(US)

(**) Term: **14 Years**

(21) Appl. No.: **29/401,017**

(22) Filed: **Sep. 6, 2011**

(51) **LOC (9) Cl.** **14-02**

(52) **U.S. Cl.** **D14/426; D14/428**

(58) **Field of Classification Search** D14/420,
D14/426-430, 453, 346, 341, 347, 412; D13/107,
D13/184; 358/473; 235/462.43, 462.45,
235/462.47, 462.48, 462.44, 462.46, 487,
235/472.01, 472.02; 16/110.1, 430, 431;
439/133, 135; 709/219, 201; 710/73; 320/114,
320/115, 123; 361/679; 382/313, 321; 455/575.1,
455/561, 572

See application file for complete search history.

(56) **References Cited**

U.S. PATENT DOCUMENTS

D94,312 S *	1/1935	Marx	D21/574
D154,516 S *	7/1949	Shelton	D21/574
D159,552 S *	8/1950	Shelton	D21/574
D169,440 S *	4/1953	Hirsch	D21/574
2,802,298 A *	8/1957	Larin	446/21
D258,166 S *	2/1981	Barthropp	D21/572
D261,908 S *	11/1981	Steinberg	D21/401
D273,880 S *	5/1984	Bart	D21/401
D281,977 S *	12/1985	Sklaroff	D14/430
D286,660 S *	11/1986	Barthropp	D21/574
D296,788 S *	7/1988	Schneider et al.	D14/430
D308,201 S *	5/1990	Doyle et al.	D14/430
D309,759 S *	8/1990	Mak	D21/401
D317,154 S *	5/1991	Allgeier	D14/428
D343,170 S *	1/1994	Gilpin et al.	D14/428
5,498,191 A *	3/1996	DeMars	446/15
D370,478 S *	6/1996	Swift et al.	D14/427
D376,394 S *	12/1996	Raucci et al.	D21/401
5,613,890 A *	3/1997	DeMars	446/15
D393,022 S *	3/1998	Nagel	D21/572
D403,367 S *	12/1998	Lebensfeld et al.	D21/574

D405,077 S *	2/1999	Urushihata et al.	D14/428
D414,171 S *	9/1999	Swift et al.	D14/428
D418,177 S *	12/1999	Lebensfeld et al.	D21/574
6,151,789 A *	11/2000	Raab et al.	33/503
D449,354 S *	10/2001	Hornsby et al.	D21/574
D449,659 S *	10/2001	Hornsby et al.	D21/574
D453,197 S *	1/2002	Hornsby et al.	D21/401
D454,166 S *	3/2002	Hornsby et al.	D21/574
D454,926 S *	3/2002	Hornsby et al.	D21/574
D458,652 S *	6/2002	Chan	D21/574
D458,975 S *	6/2002	Hornsby et al.	D21/574
6,412,698 B2 *	7/2002	Bontly	235/462.45
D470,785 S *	2/2003	Vermillion	D10/98

(Continued)

FOREIGN PATENT DOCUMENTS

FR 2940423 A1 * 6/2010

(Continued)

OTHER PUBLICATIONS

Polhemus Fastscan Cobra and Scorpion—www.polhemus.com /
Nov. 16, 2011 (1 page).*

(Continued)

Primary Examiner — Susan Moon Lee

(74) *Attorney, Agent, or Firm* — Neustel Law Offices

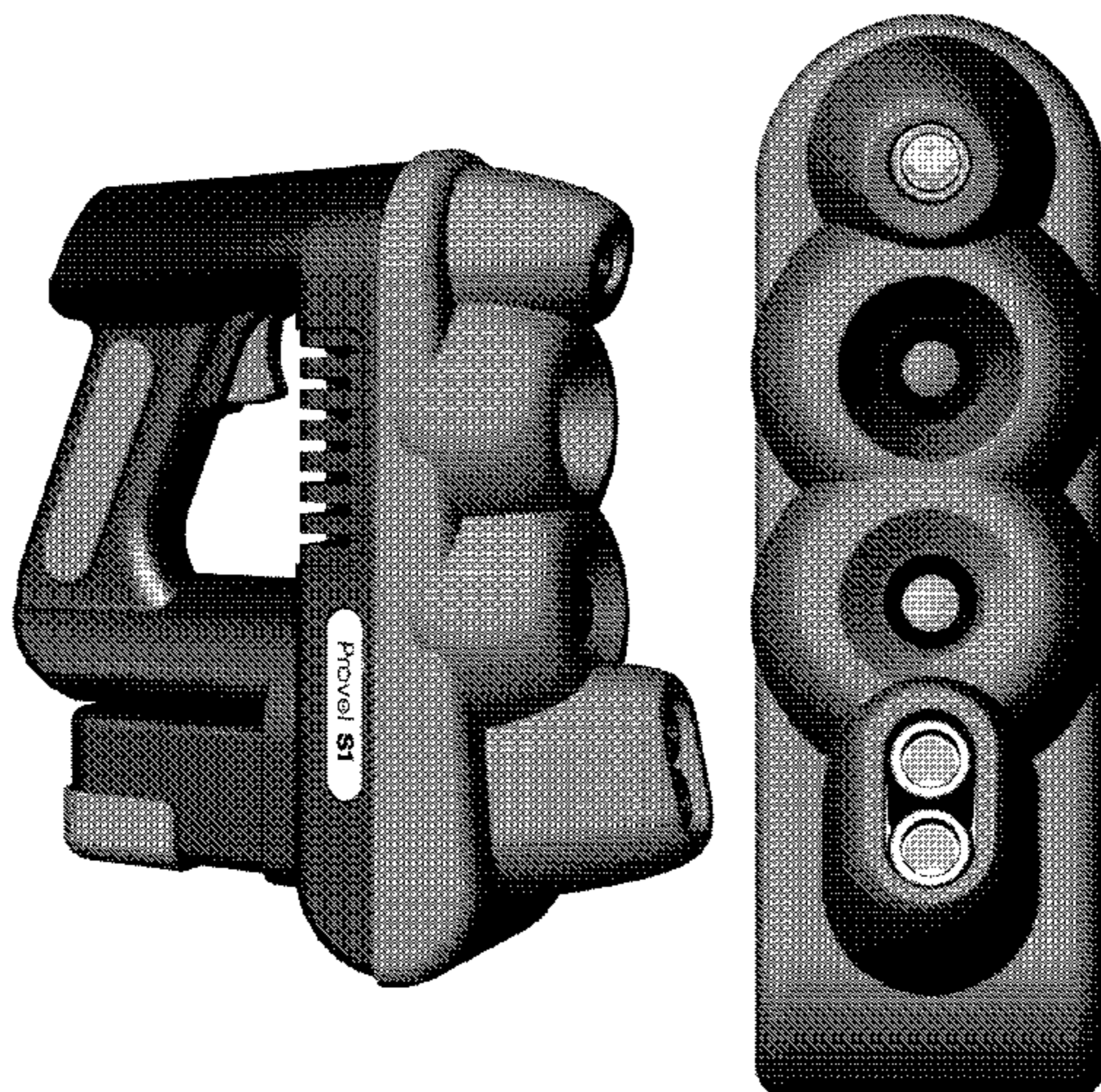
(57) **CLAIM**

I claim the ornamental design for a handheld scanner, as shown.

DESCRIPTION

FIG. 1 is a front-right perspective view of a handheld scanner according to our new design;
FIG. 2 is a left side view thereof;
FIG. 3 is a front view thereof;
FIG. 4 is a right side view thereof;
FIG. 5 is a rear view thereof;
FIG. 6 is a top plan view thereof;
FIG. 7 is a bottom plan view thereof; and,
FIG. 8 is a rear-left perspective view thereof.

1 Claim, 7 Drawing Sheets



US D667,010 S

Page 2

U.S. PATENT DOCUMENTS

6,542,249 B1 * 4/2003 Kofman et al. 356/601
D489,098 S * 4/2004 Byrd D21/574
D493,807 S * 8/2004 Raab et al. D15/199
6,883,713 B2 * 4/2005 Schlieffers 235/472.01
D505,144 S * 5/2005 Raab et al. D15/199
D518,057 S * 3/2006 Johnson et al. D14/428
7,051,943 B2 * 5/2006 Leone et al. 235/462.45
D554,712 S * 11/2007 Yuen D21/574
D558,624 S * 1/2008 Perez et al. D10/104.1
D632,692 S * 2/2011 Rosel et al. D14/429
D635,620 S * 4/2011 Nadel D21/573
8,032,327 B2 * 10/2011 Hebert et al. 702/153
8,082,120 B2 * 12/2011 St-Pierre et al. 702/85
8,140,295 B2 * 3/2012 Hebert et al. 702/153
8,145,446 B2 * 3/2012 Atwell et al. 702/95
D660,921 S * 5/2012 Johnson et al. D21/572

2003/0001018 A1 * 1/2003 Hussey et al. 235/472.01
2008/0201101 A1 * 8/2008 Hebert et al. 702/152
2011/0119026 A1 * 5/2011 Atwell et al. 702/152

FOREIGN PATENT DOCUMENTS

FR 2950140 A1 * 3/2011

OTHER PUBLICATIONS

Noomeo Optinum Handheld—www.noomeo.eu / Nov. 16, 2011 (1 page).*

NDI/Northern Digital Vicrascan—www.ndigital.com / Nov. 16, 2011 (2 pages).*

Creaform Ergoscan Handyscan—www.creaform3d.com / Nov. 16, 2011 (3 pages).*

Artec 3D Scanners—www.artec3d.com / Mar. 2, 2011 (1 page).*

* cited by examiner



FIG. 1

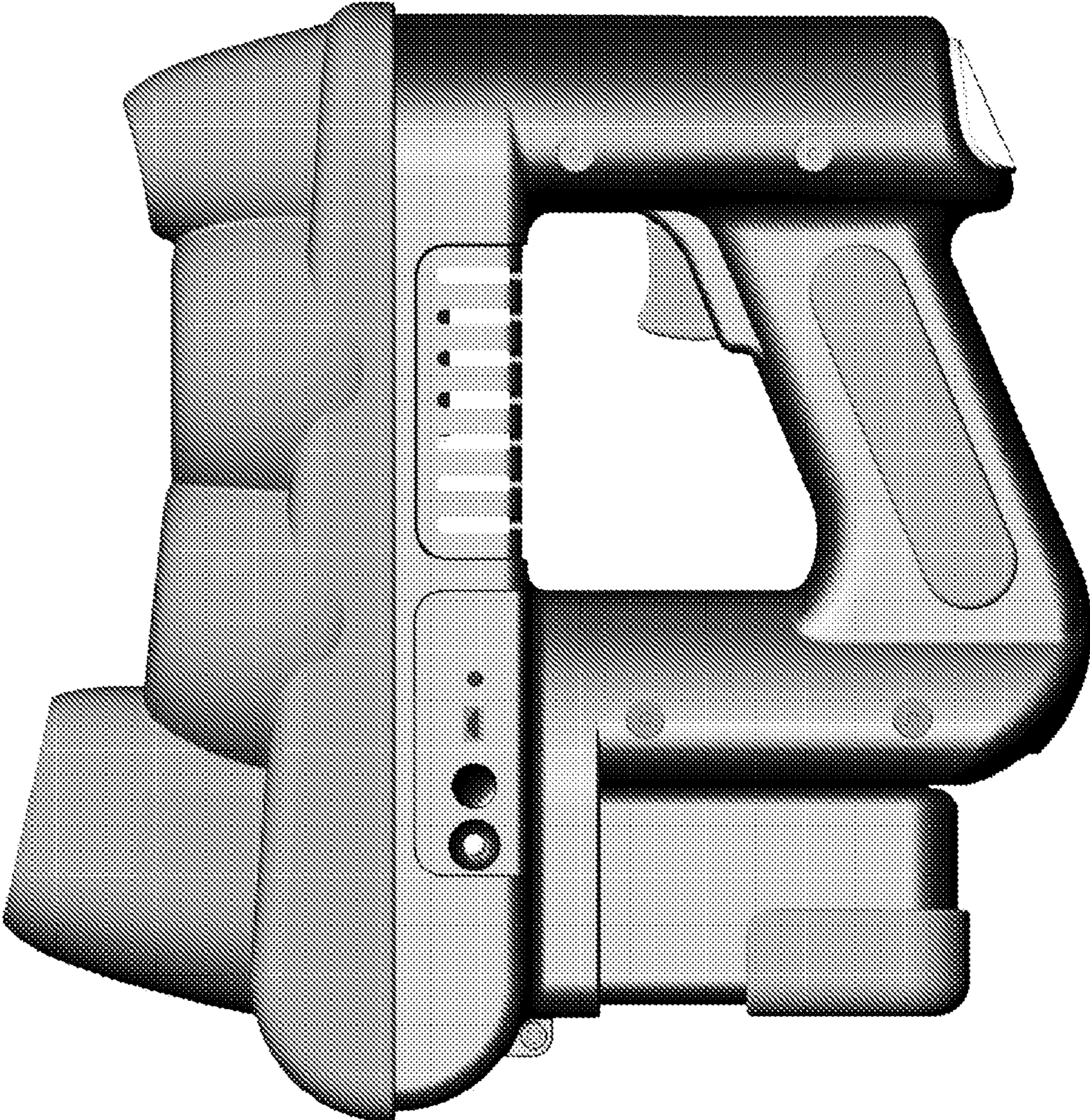


FIG. 2

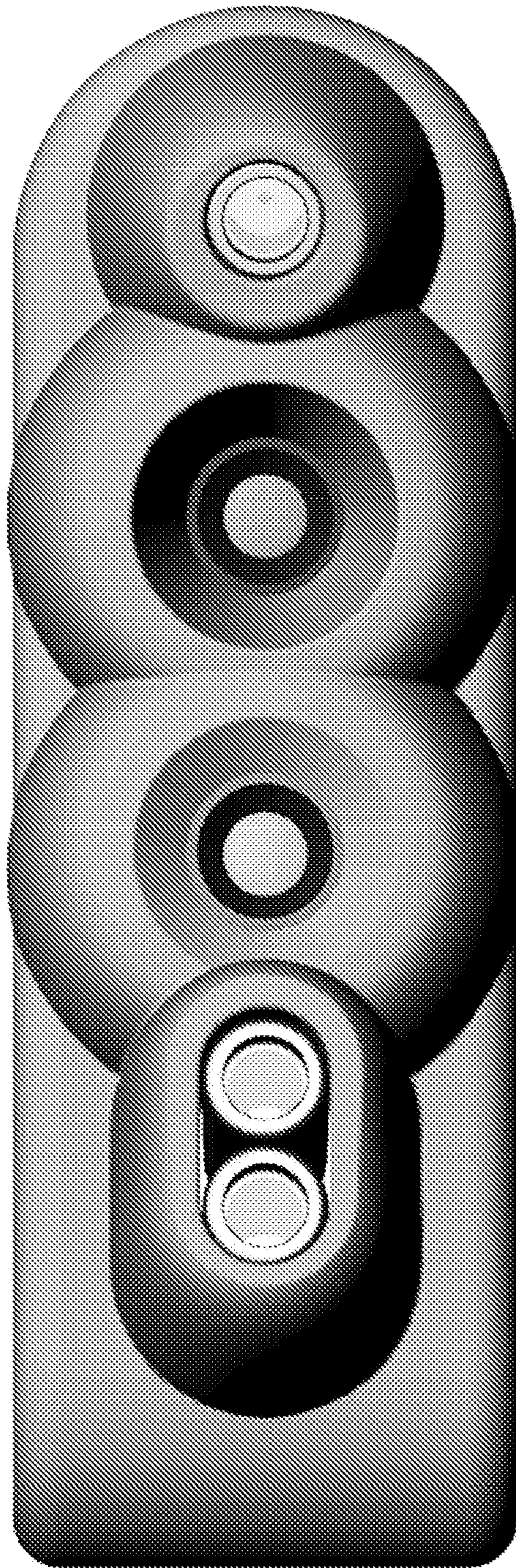


FIG. 3

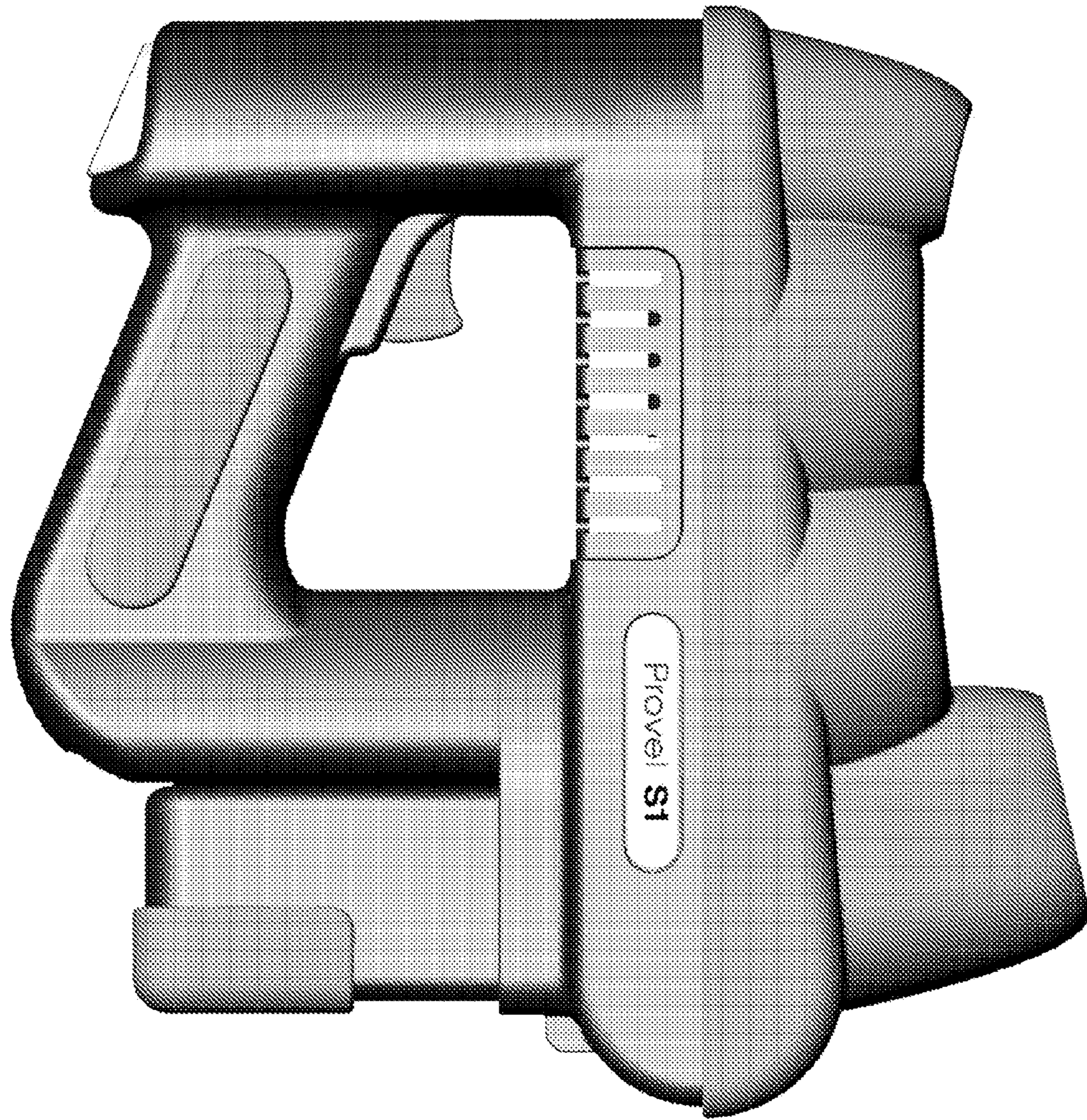


FIG. 4

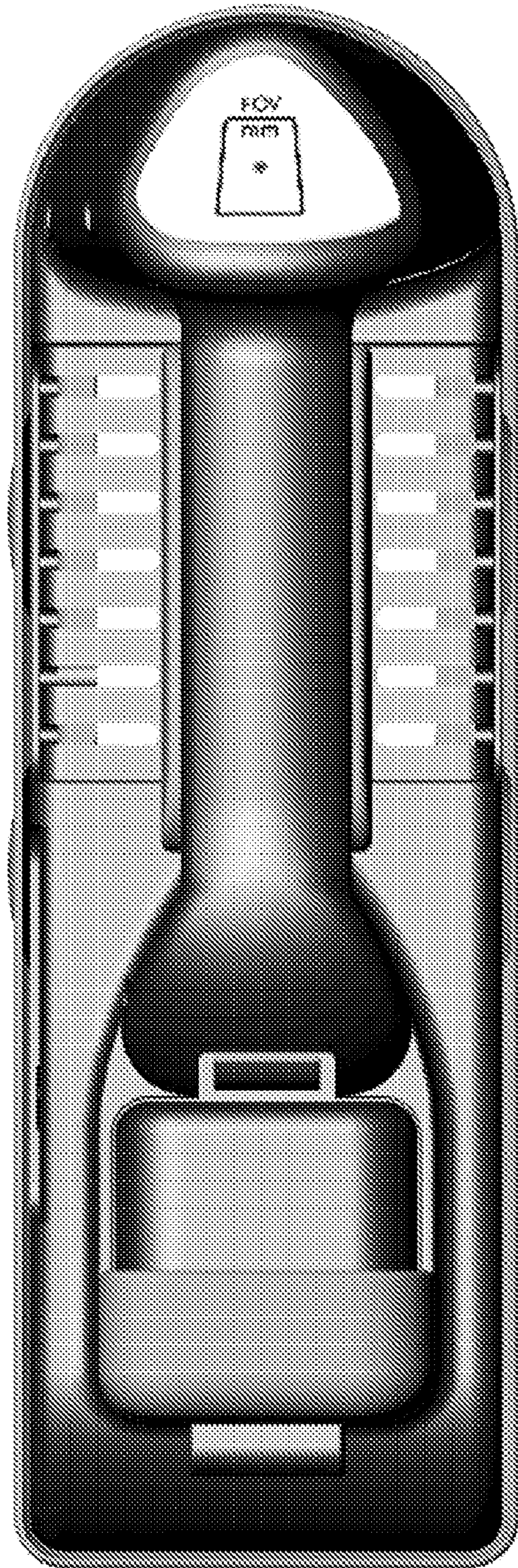


FIG. 5

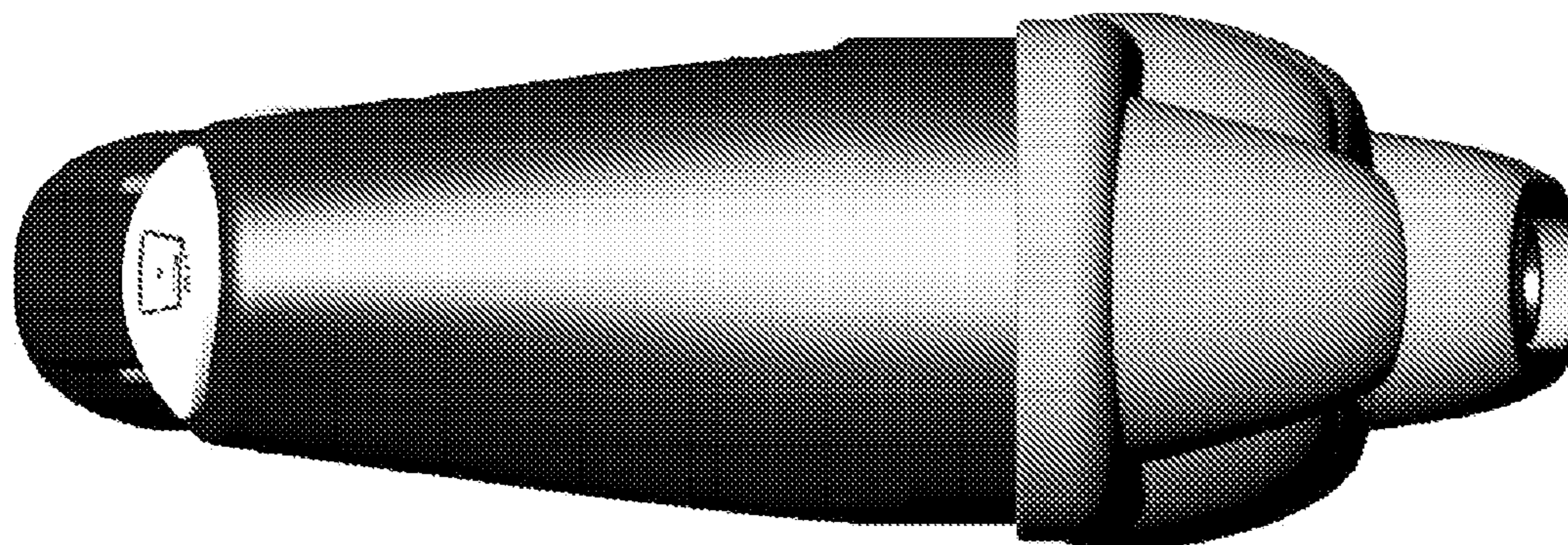


FIG. 6

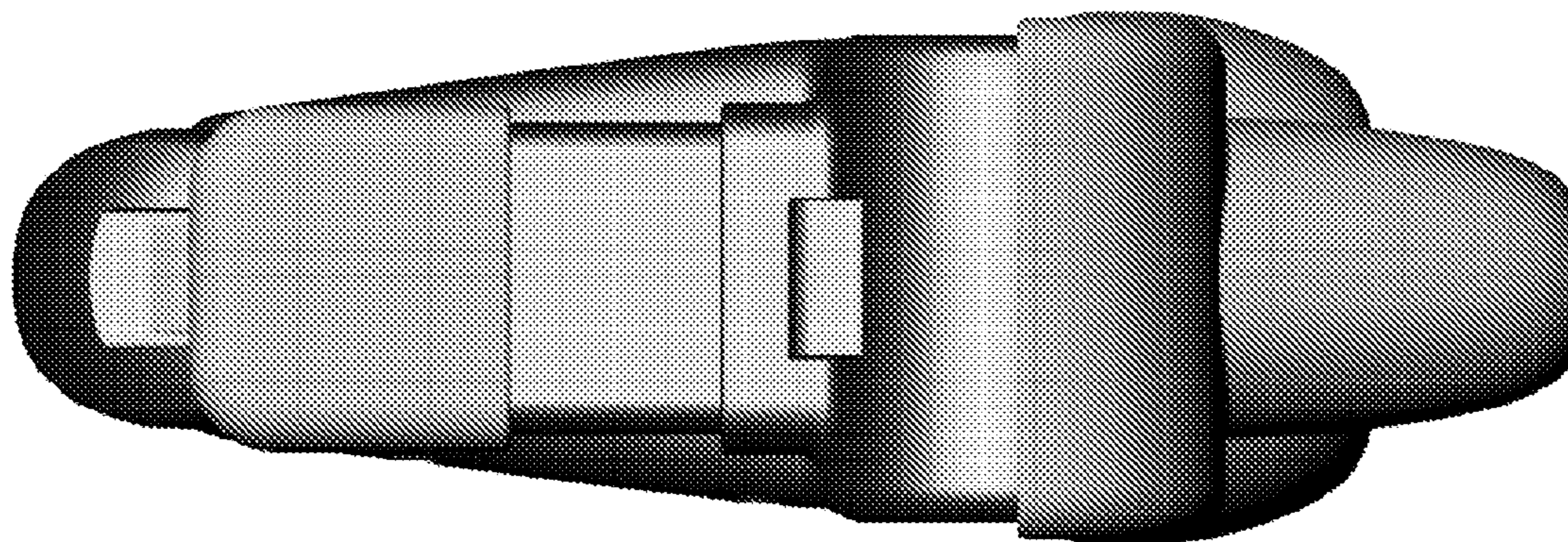


FIG. 7

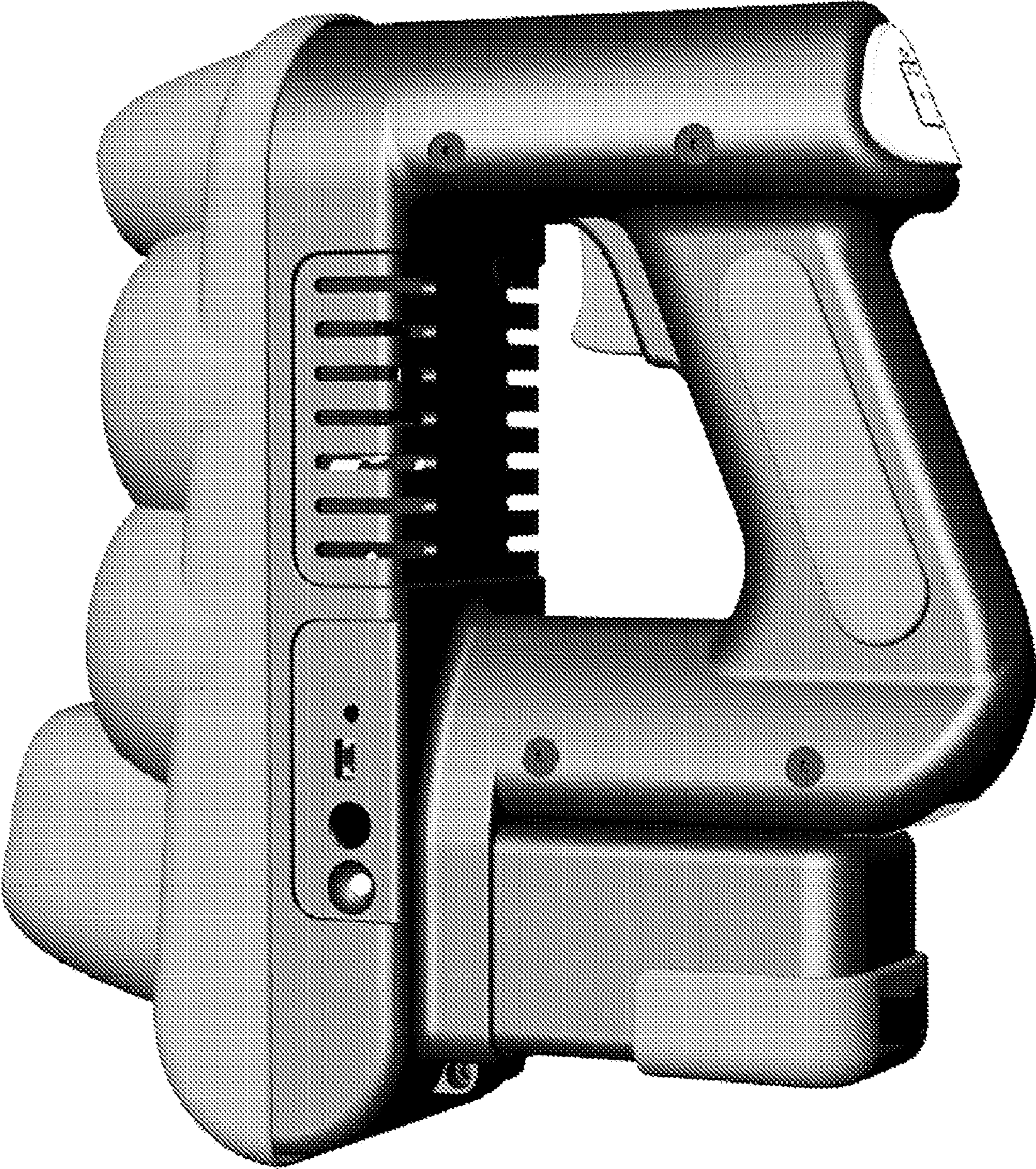


FIG. 8