



US00D667008S

(12) **United States Design Patent**
Oikawa et al.

(10) **Patent No.:** **US D667,008 S**
(45) **Date of Patent:** **** Sep. 11, 2012**

- (54) **MONITOR DISPLAY**
- (75) Inventors: **Yuji Oikawa**, Tokyo (JP); **Daisuke Ishii**, Tokyo (JP); **Katsuhisa Hakoda**, Tokyo (JP)
- (73) Assignee: **Sony Corporation**, Tokyo (JP)
- (**) Term: **14 Years**
- (21) Appl. No.: **29/347,532**
- (22) Filed: **Feb. 25, 2010**

- D463,420 S 9/2002 Stener et al.
- D464,348 S 10/2002 Takemasa et al.
- D483,035 S 12/2003 Lee
- D489,067 S 4/2004 Olson et al.
- D500,991 S 1/2005 Niitsu
- D501,185 S 1/2005 Sato et al.
- D513,254 S 12/2005 Chu et al.
- D534,508 S 1/2007 Yamada
- D538,765 S * 3/2007 Park et al. D14/128
- D538,800 S 3/2007 Zhang et al.
- D540,275 S * 4/2007 Lewis D14/126
- D556,707 S 12/2007 Fujii
- D564,990 S 3/2008 Ueno
- D570,804 S 6/2008 Fujiki
- D572,023 S 7/2008 Park
- D572,677 S 7/2008 Niitsu

(Continued)

Related U.S. Application Data

- (63) Continuation of application No. 29/347,086, filed on Sep. 18, 2009, now Pat. No. Des. 615,542, which is a continuation of application No. 29/309,246, filed on Jul. 11, 2008, now Pat. No. Des. 601,143.

FOREIGN PATENT DOCUMENTS

- JP D1236447 S 4/2005
- (Continued)

(30) **Foreign Application Priority Data**

- Jan. 29, 2008 (CN) 2008 3 0003084
- Jan. 5, 2010 (CN) 2010 3 0002010

Primary Examiner — Freda S Nunn

(74) *Attorney, Agent, or Firm* — Rader, Fishman & Grauer PLLC

- (51) **LOC (9) Cl.** **14-02**
- (52) **U.S. Cl.** **D14/374**
- (58) **Field of Classification Search** D14/371–376, D14/125–129, 331, 336; D6/300, 308; 345/104, 345/156, 168, 173, 901–905; 248/917–924, 248/121, 176.1, 278.1; 348/180, 184, 325, 348/739; 349/1, 2, 11, 62; 361/679.01–679.09
See application file for complete search history.

(57) **CLAIM**

The ornamental design for a monitor display, as shown and described.

DESCRIPTION

FIG. 1 is a top, front, right perspective view of a monitor display showing our new design;
 FIG. 2 is a front elevational view thereof;
 FIG. 3 is a left side elevational view thereof; and,
 FIG. 4 is a top plan view thereof.

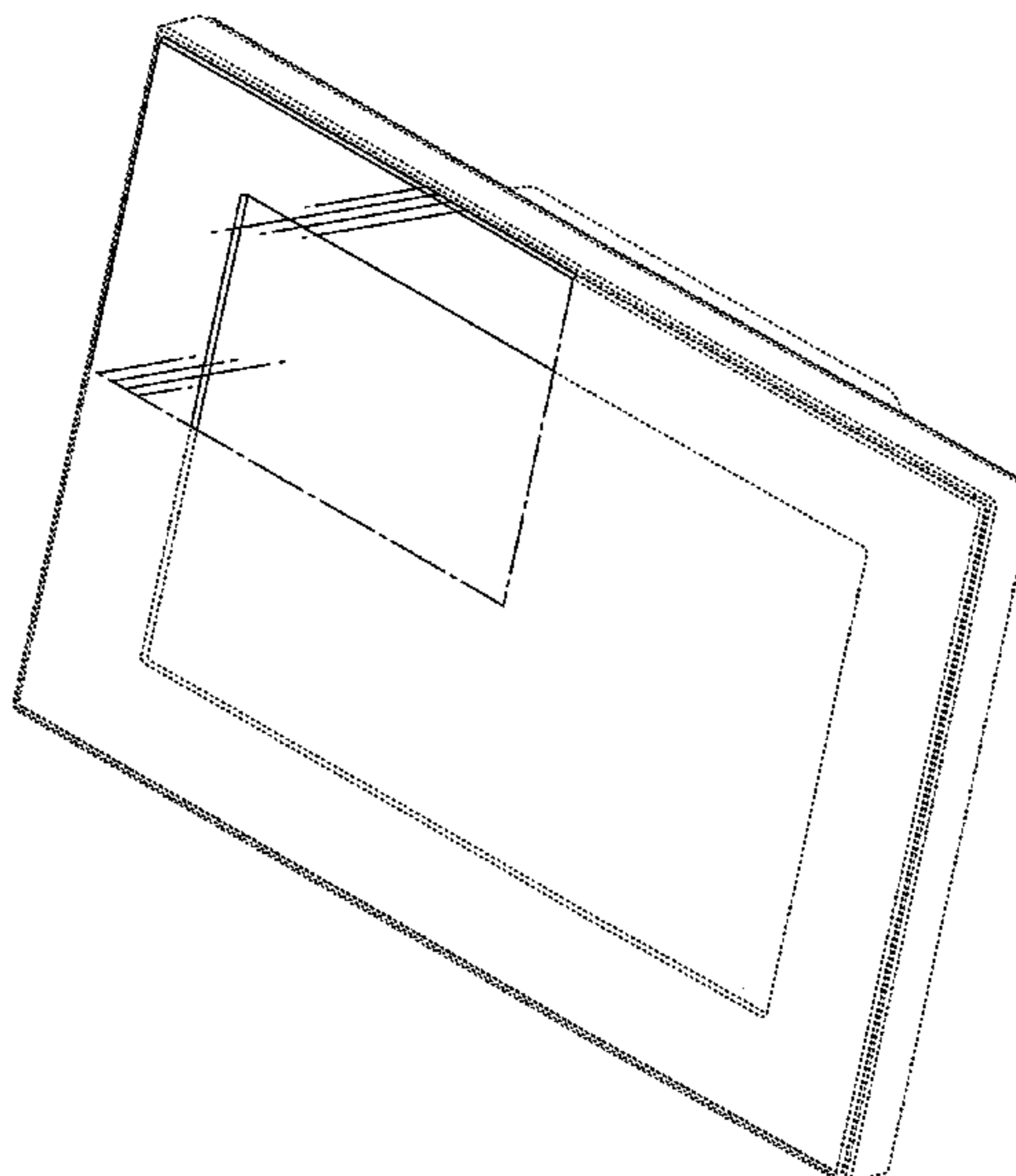
Broken lines shown in the drawings illustrate portions of the monitor display and form no part of the claimed design. Dot-dash broken lines form boundaries of, but not included in, the claimed design.

(56) **References Cited**

U.S. PATENT DOCUMENTS

- D355,170 S 2/1995 Mizusugi et al.
- D380,213 S 6/1997 Morimiya
- D432,102 S 10/2000 Arie
- D446,515 S 8/2001 Arpe
- 6,343,006 B1 * 1/2002 Moscovitch et al. 361/679.04

1 Claim, 4 Drawing Sheets



US D667,008 S

Page 2

U.S. PATENT DOCUMENTS

D584,281 S * 1/2009 Kim et al. D14/188
D585,887 S 2/2009 Shimizu
D587,702 S 3/2009 Niitsu
D587,709 S 3/2009 Niitsu et al.
D588,122 S 3/2009 Shimizu
D588,123 S 3/2009 Shimizu
D588,124 S 3/2009 Shimizu
D588,129 S 3/2009 Shimizu
D588,561 S 3/2009 Niitsu et al.
D595,248 S 6/2009 Fujii et al.
D598,404 S 8/2009 Arie et al.
D600,233 S * 9/2009 Birsal et al. D14/203.3
D600,695 S 9/2009 Niitsu et al.
D601,143 S 9/2009 Oikawa et al.
D608,315 S * 1/2010 Mitsuhashi D14/126

D615,542 S * 5/2010 Oikawa et al. D14/374

FOREIGN PATENT DOCUMENTS

JP D1236880 S 4/2005
JP D1236881 S 4/2005
JP D1236882 S 7/2005
JP D1203771 S 6/2007
JP D1302946 S 6/2007
JP D1302947 S 6/2007
JP D1303612 S 6/2007
JP D1303613 S 6/2007
JP D1303614 S 6/2007
JP D1334682 S 6/2008
KR 30-038347 S 3/2008

* cited by examiner

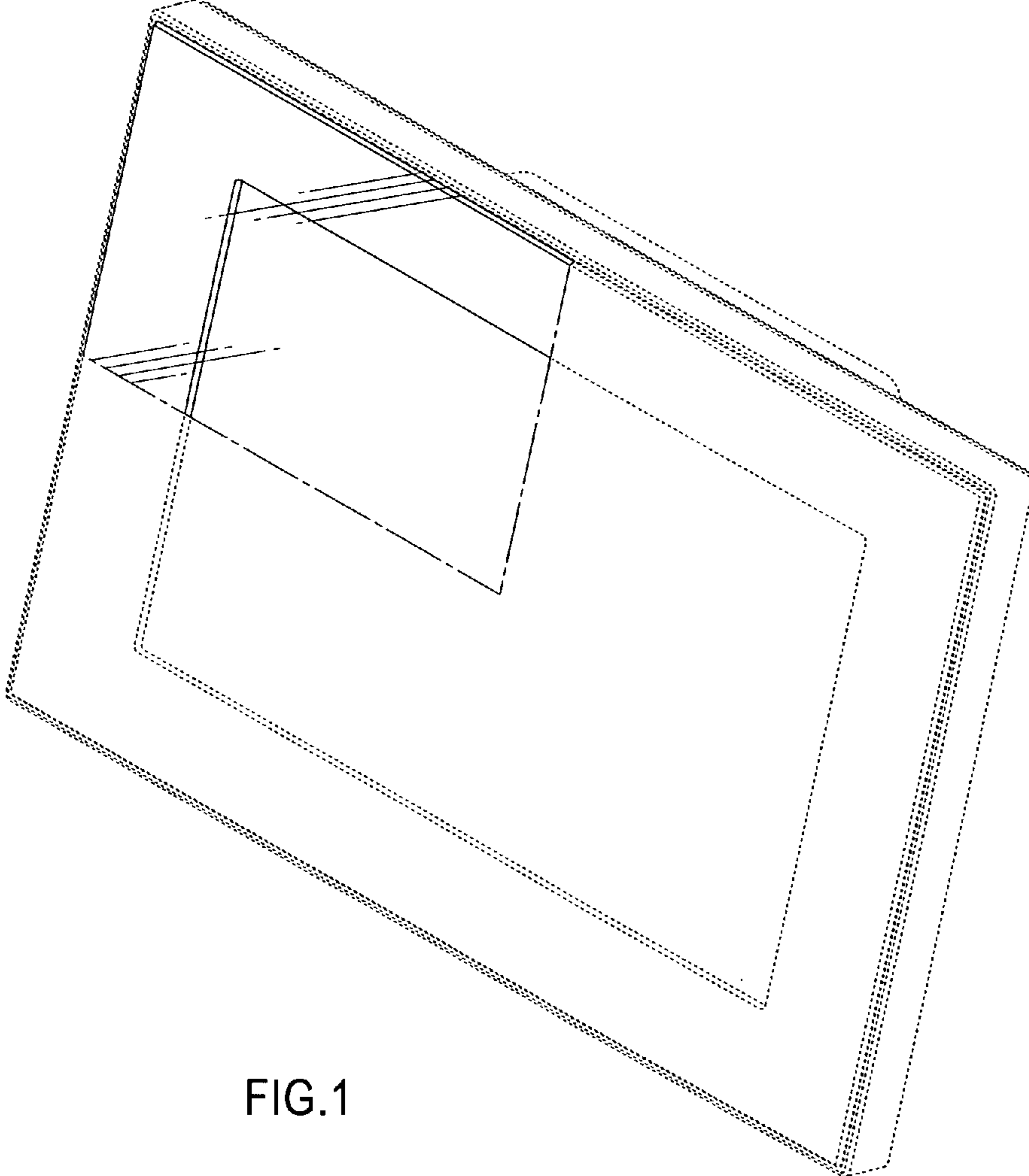


FIG.1

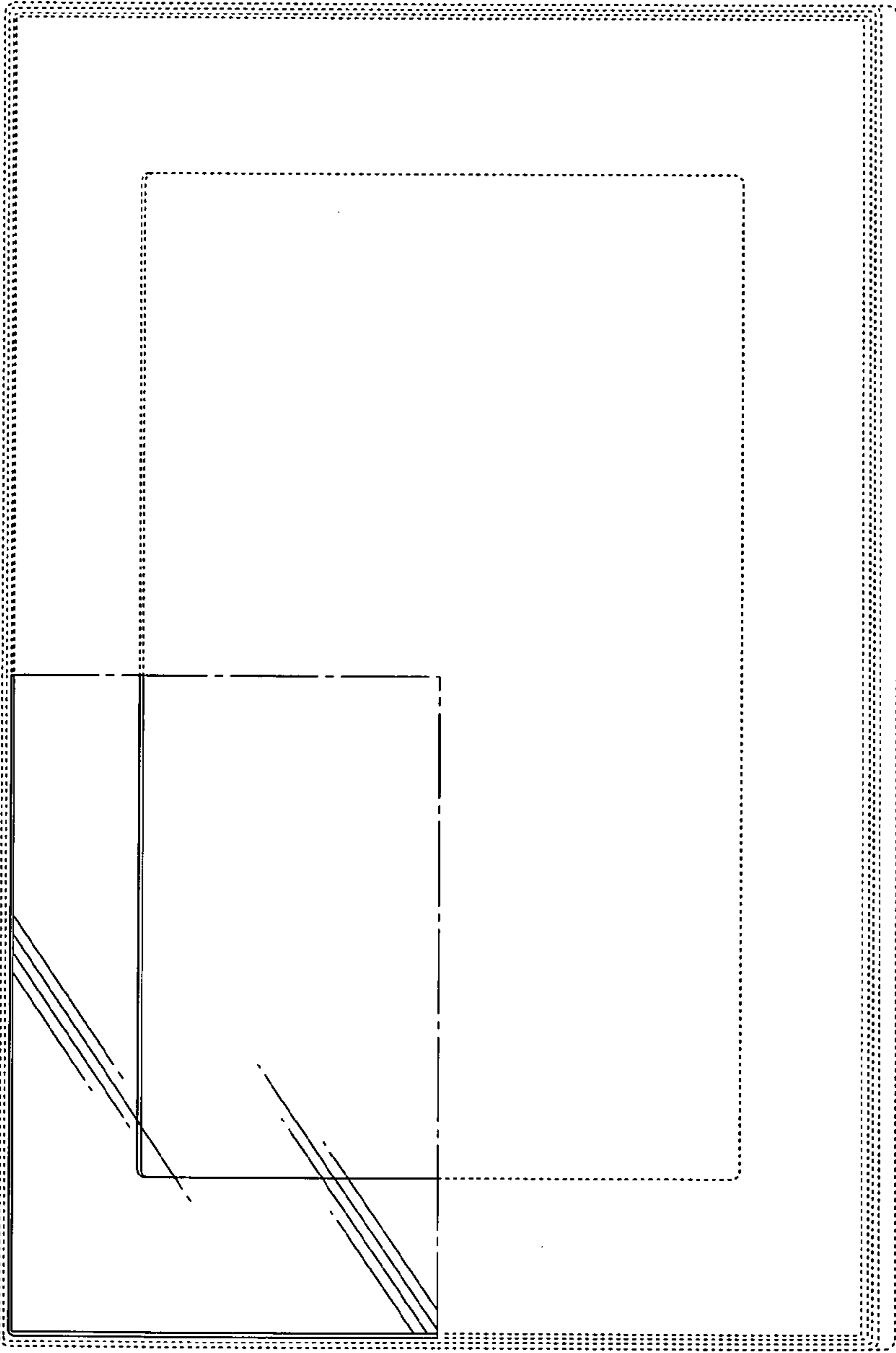


FIG.2

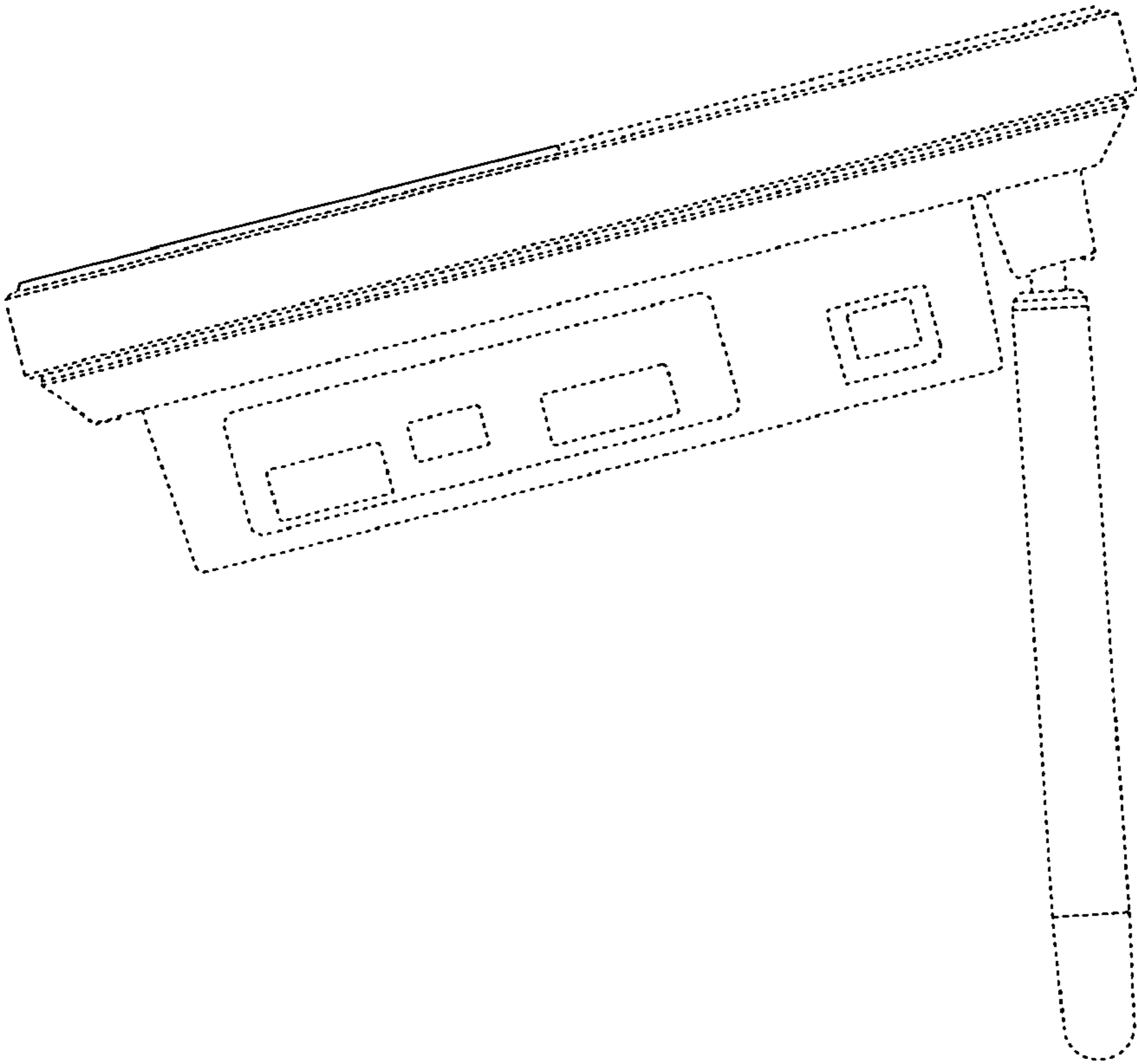


FIG.3

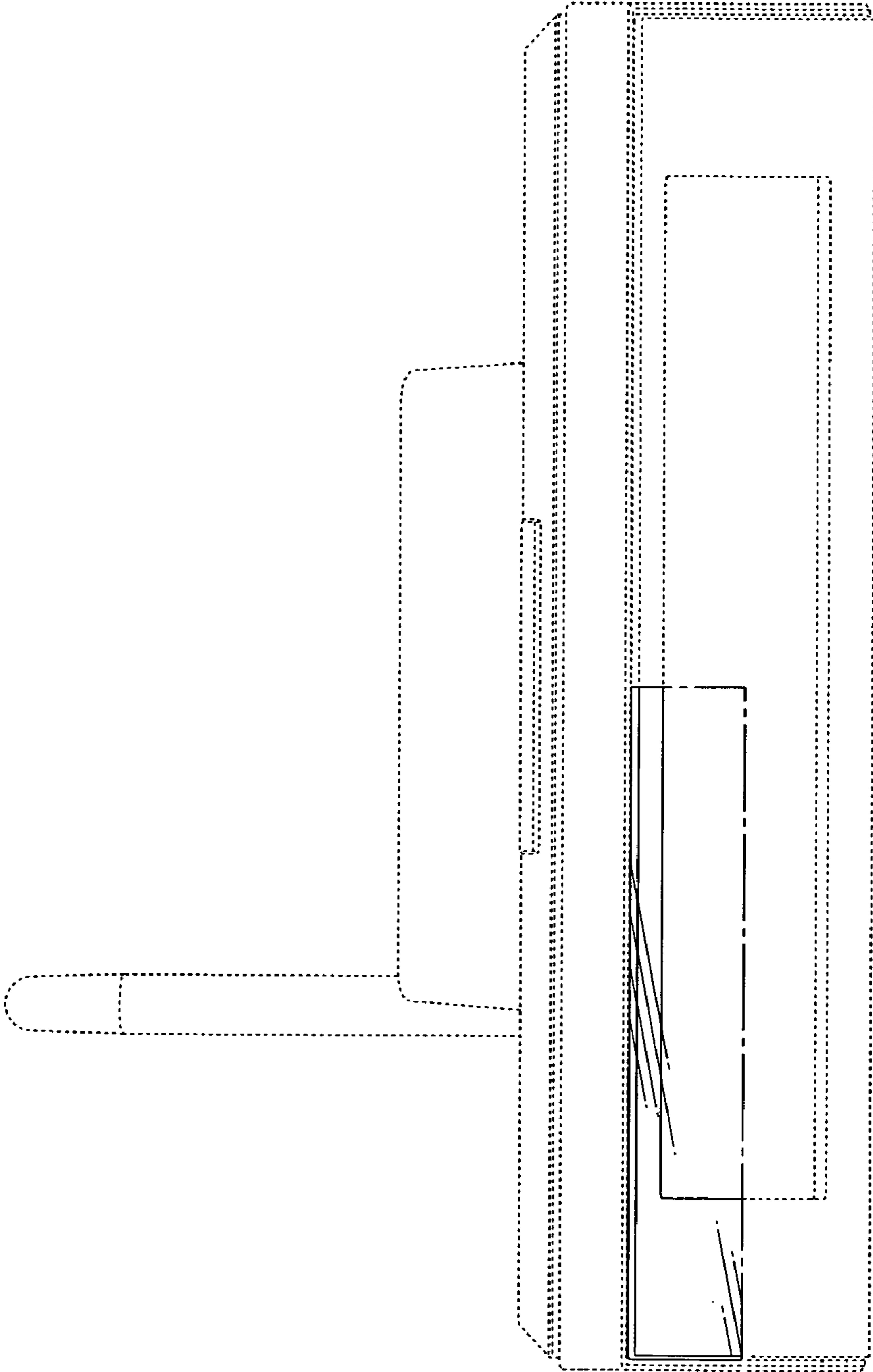


FIG.4