

US00D667003S

(12) **United States Design Patent**
Richter

(10) **Patent No.:** **US D667,003 S**

(45) **Date of Patent:** **** Sep. 11, 2012**

(54) **CHARGING CRADLE FOR WIRELESS PHONES**

(76) Inventor: **Harald Richter**, Engelbrand (DE)

(**) Term: **14 Years**

(21) Appl. No.: **29/374,420**

(22) Filed: **Aug. 10, 2011**

(51) **LOC (9) Cl.** **14-03**

(52) **U.S. Cl.** **D14/253**

(58) **Field of Classification Search** D14/140,
D14/217, 224, 224.1, 229, 240, 243, 250–253,
D14/299, 344, 434, 447, 451–452, 483, 496;
D13/108; 361/679.41; 439/534; 320/115,
320/116, 107; D8/355, 363; D12/415, 418;
379/449, 455, 165; 248/122.1, 127, 157,
248/205.8, 206.2, 279.1, 205.5, 309.1, 309.3,
248/352; D3/201, 218, 269, 273, 301; D11/79;
63/26

See application file for complete search history.

(56) **References Cited**

U.S. PATENT DOCUMENTS

D489,325 S *	5/2004	Nakamura	D13/110
D508,459 S *	8/2005	Yoshida	D13/108
D574,326 S *	8/2008	Lim	D13/118
D603,322 S *	11/2009	Nicieja	D12/415
D614,613 S *	4/2010	Kim et al.	D14/253
D618,689 S *	6/2010	Shimizu	D14/434
D628,961 S *	12/2010	Kim et al.	D13/108
D637,356 S *	5/2011	Green et al.	D29/122
D638,788 S *	5/2011	Daniel	D13/108

D645,033 S *	9/2011	Quong et al.	D14/253
D656,932 S *	4/2012	Wikel	D14/253
D657,355 S *	4/2012	Wikel et al.	D14/253
2009/0090757 A1 *	4/2009	Kim et al.	224/559

* cited by examiner

Primary Examiner — Raphael Barkai

Assistant Examiner — Randall Gholson

(74) *Attorney, Agent, or Firm* — Klaus J. Bach

(57) **CLAIM**

The ornamental design for a charging cradle for wireless phones, as shown and described.

DESCRIPTION

FIG. 1 is a perspective view of a charging cradle for wireless phones;

FIG. 2 is A left side view of the charging cradle for wireless phones shown in FIG. 1,

FIG. 3 is a front view of the charging cradle for wireless phones shown in FIG. 2,

FIG. 4 is a right side view of the charging cradle for wireless phones shown in FIG. 3,

FIG. 5 is a rear view of the charging cradle for wireless phones shown in FIG. 3,

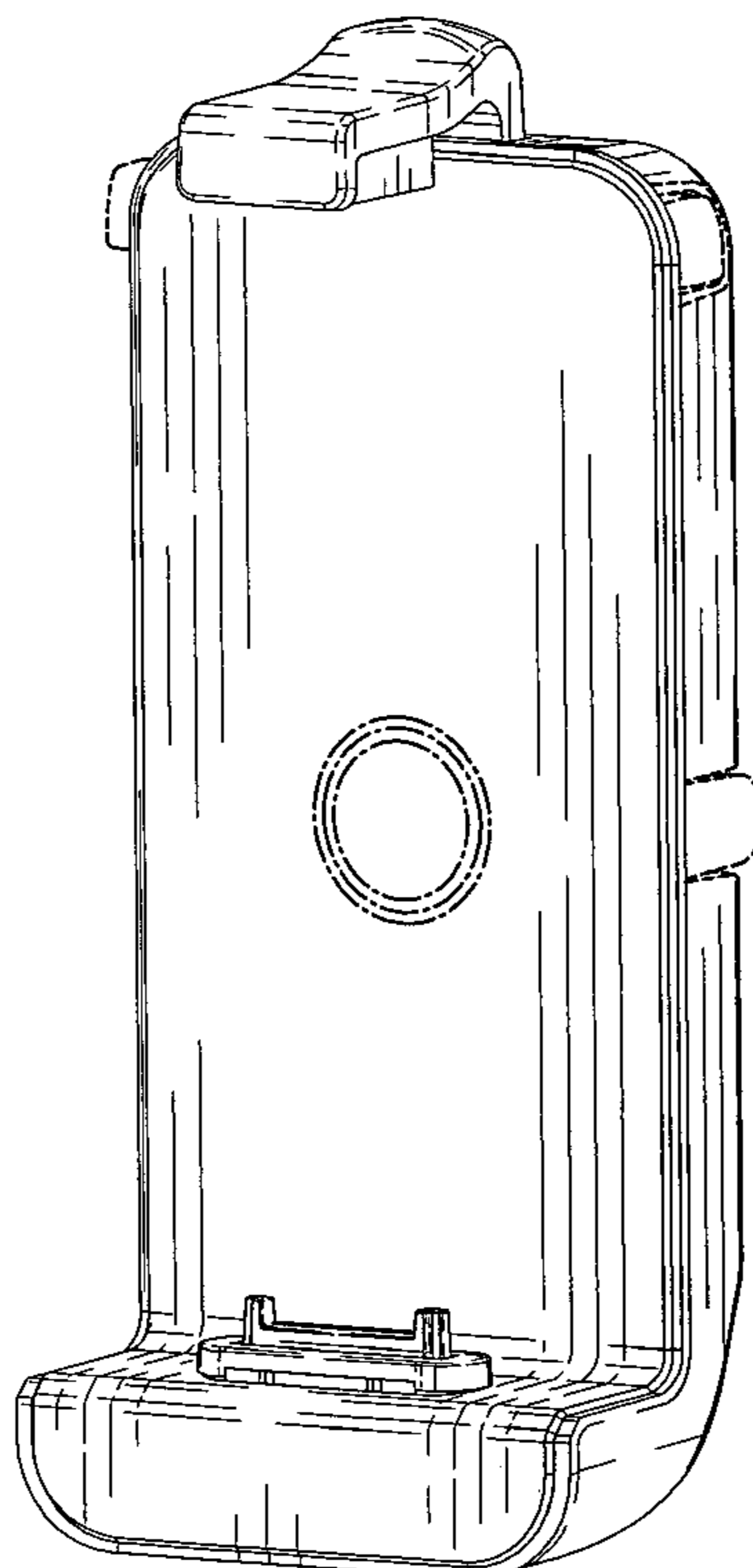
FIG. 6 is a top view of the charging cradle for wireless phones shown in FIG. 3; and,

FIG. 7 is a bottom view of the charging cradle for wireless phones as shown in FIG. 3.

The charging cradle for wireless phones is used for holding a wireless phone during a charging procedure.

The broken lines shown on the drawings are included for the purpose of illustration only and form no part of the claimed design.

1 Claim, 6 Drawing Sheets



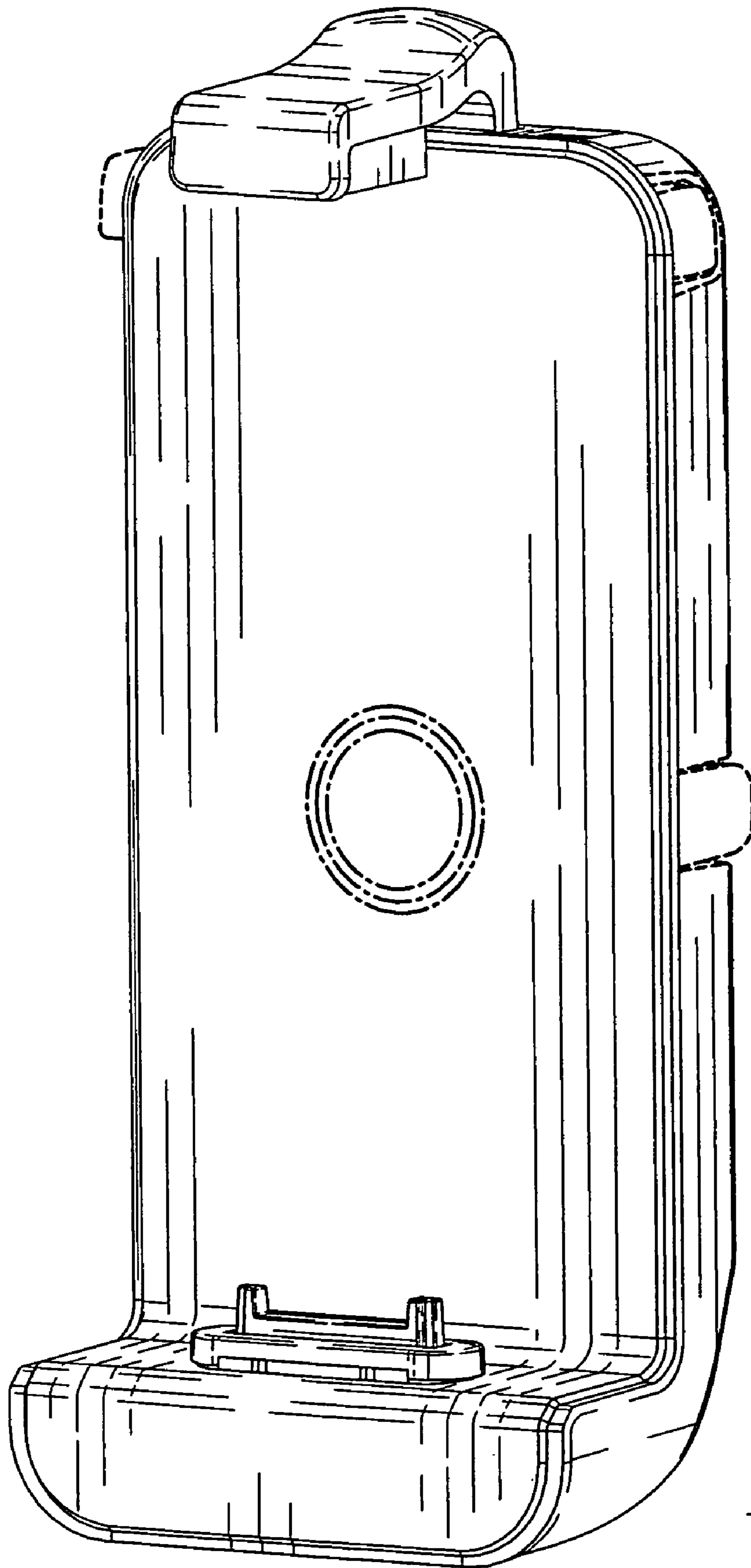


FIG. 1

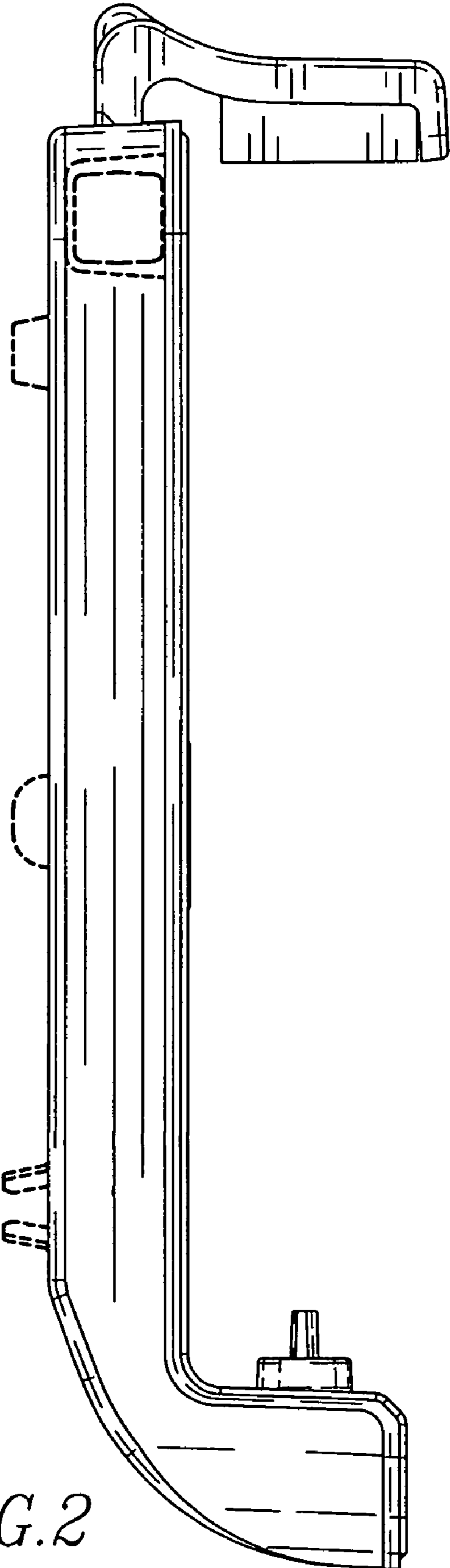


FIG. 2

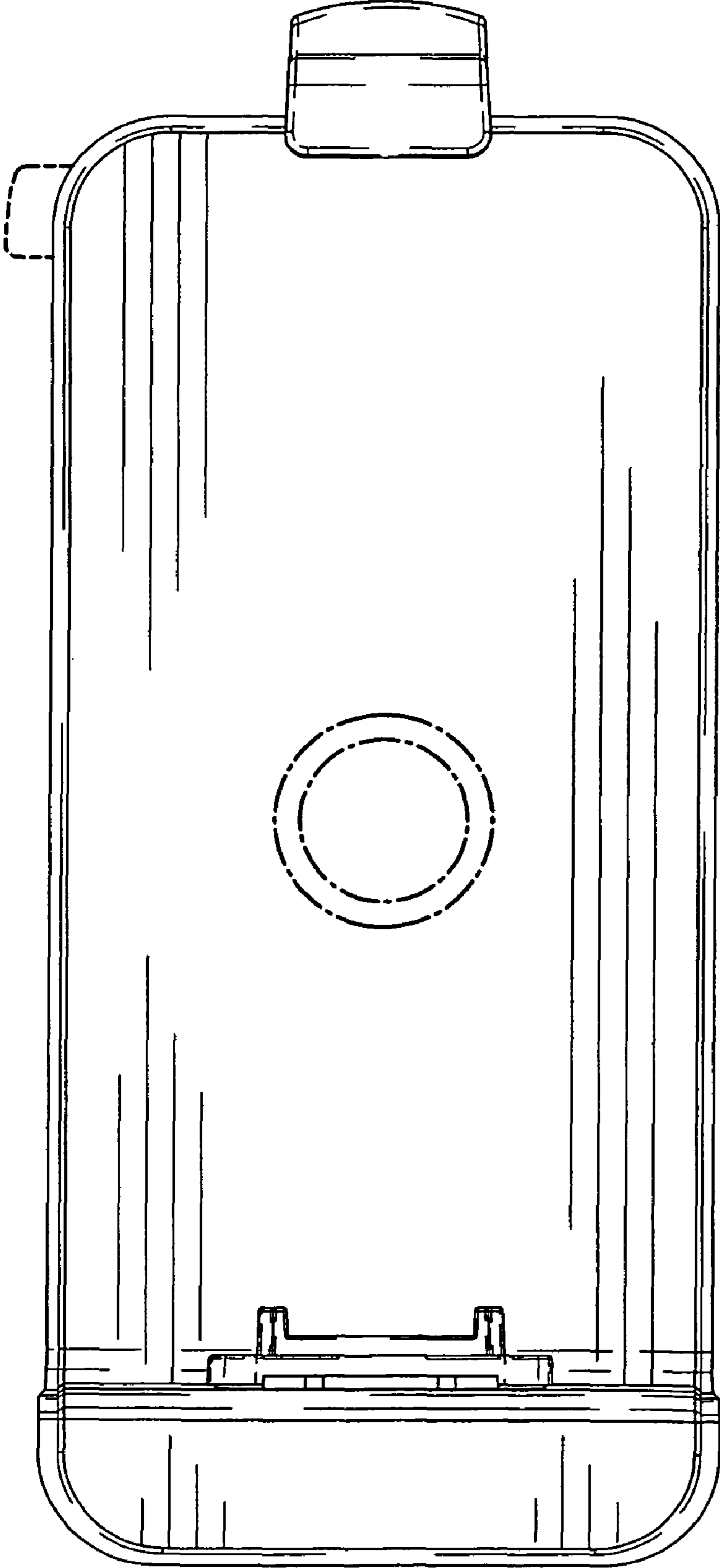


FIG. 3

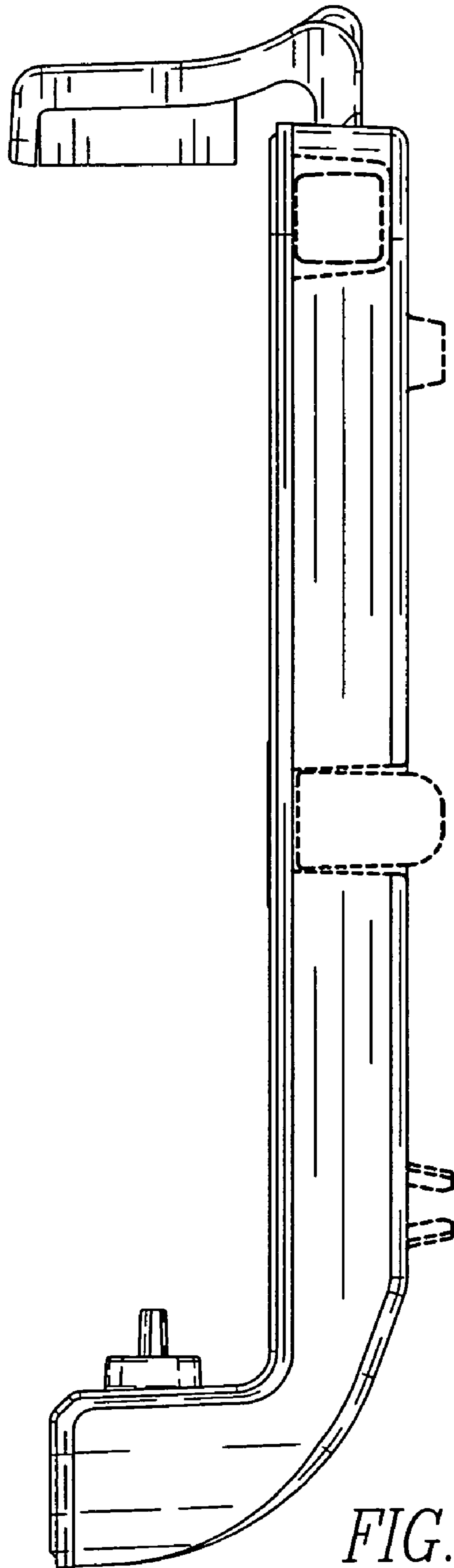


FIG. 4

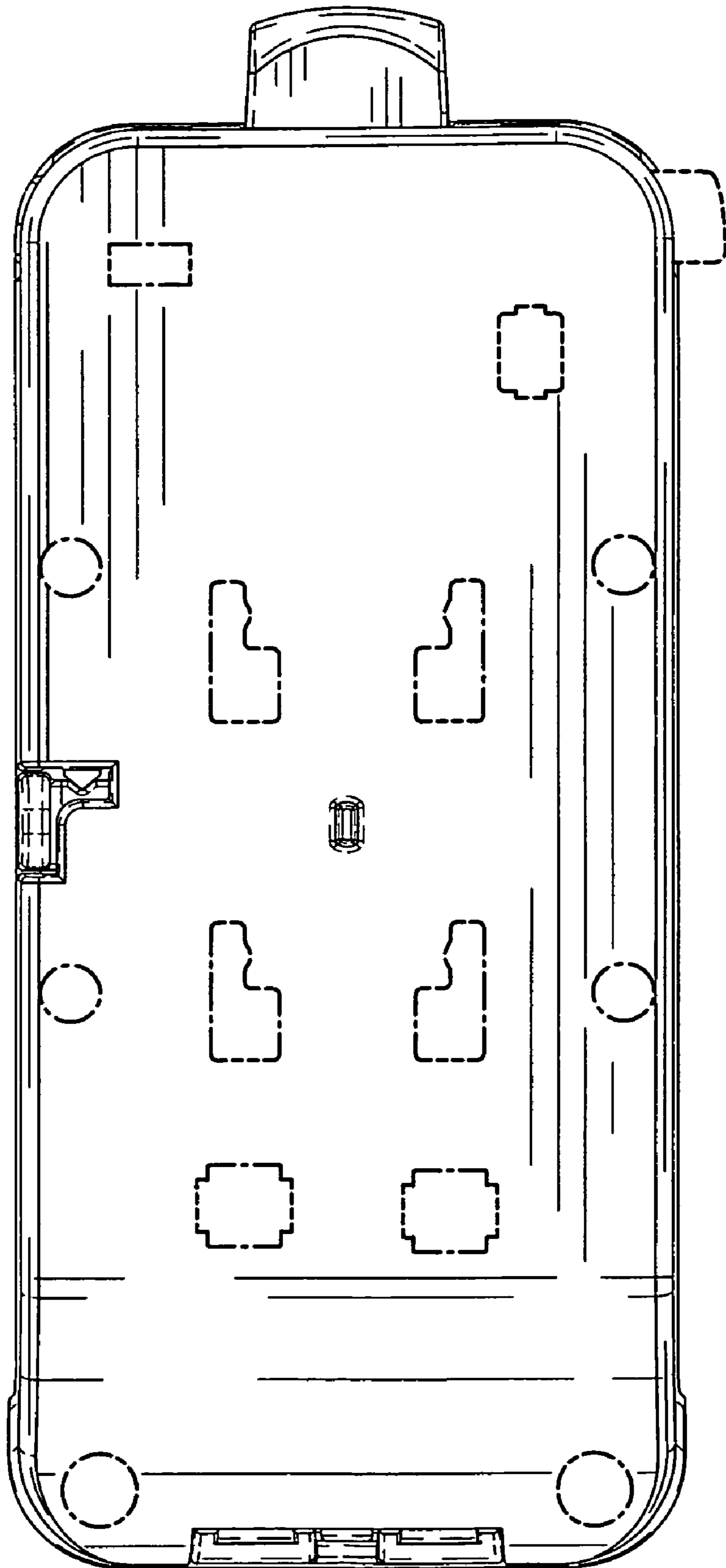


FIG. 5

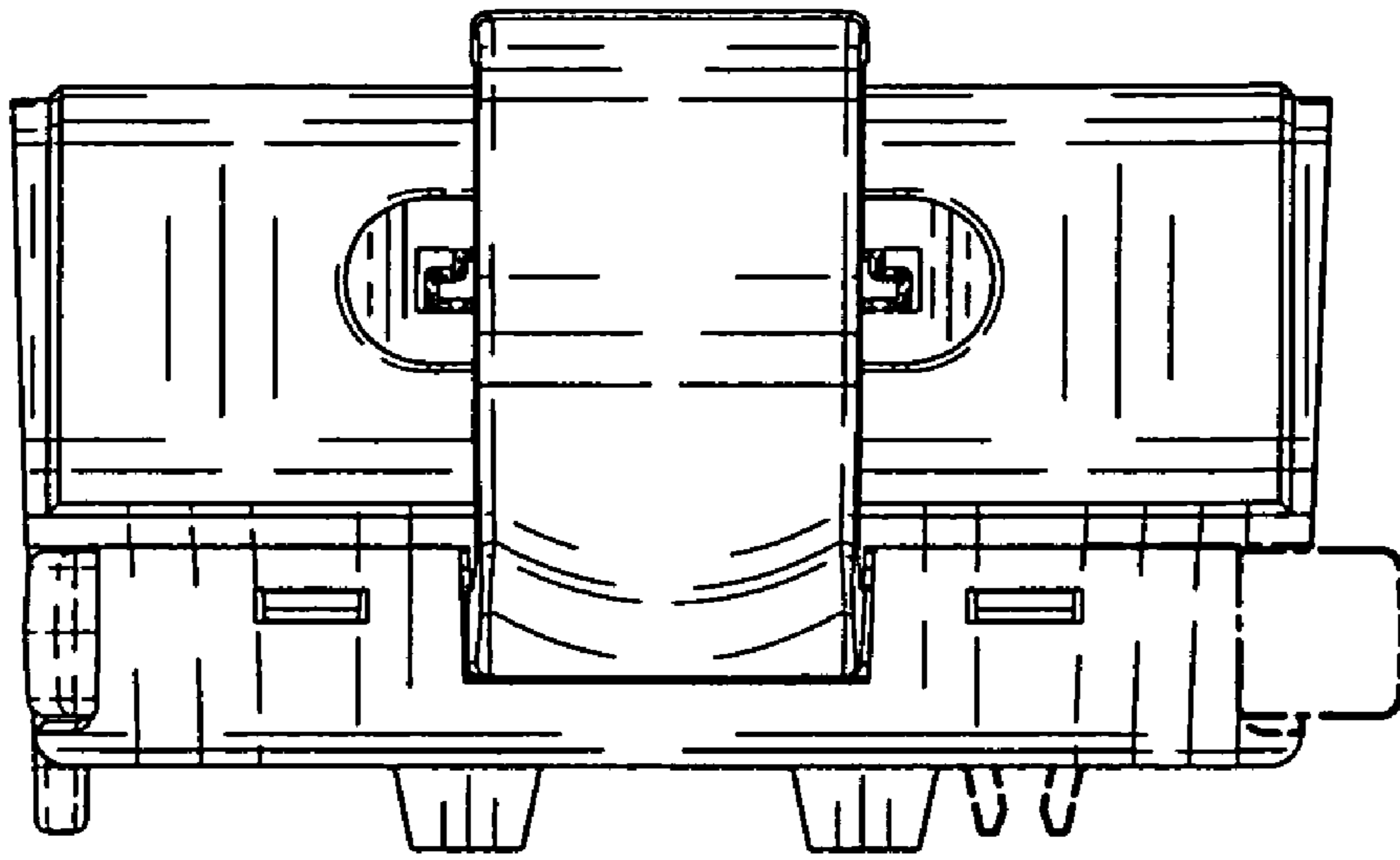


FIG. 6

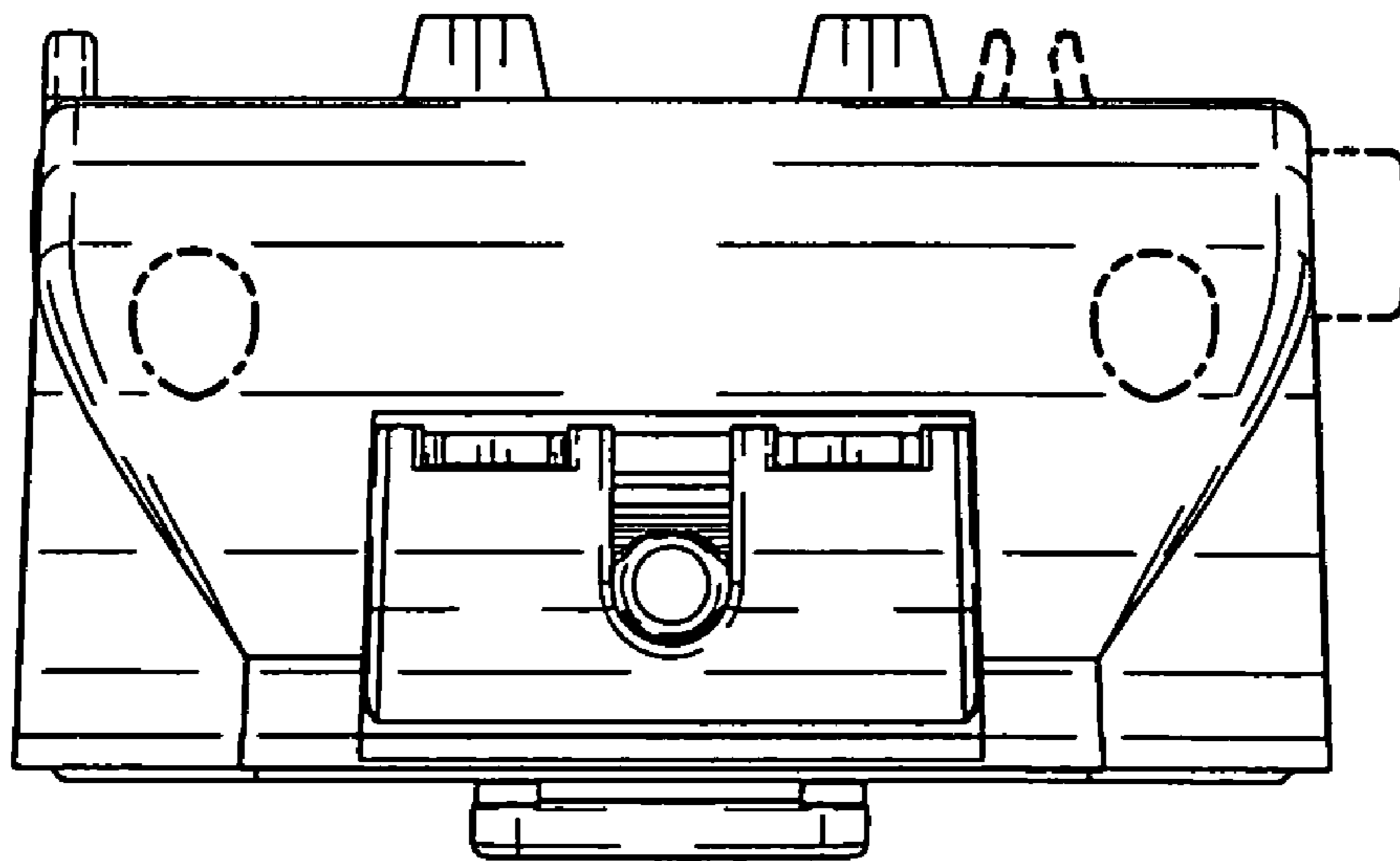


FIG. 7