



US00D666996S

(12) **United States Design Patent**  
**Hardi et al.**

(10) **Patent No.:** **US D666,996 S**  
(45) **Date of Patent:** **\*\* Sep. 11, 2012**

(54) **EARBUD HEAD PHONE**

(75) Inventors: **Jason A. Hardi**, Miami Beach, FL (US);  
**Curtis Jackson**, New York, NY (US)

(73) Assignee: **SMS Audio LLC**, New York, NY (US)

(\*\*) Term: **14 Years**

(21) Appl. No.: **29/403,531**

(22) Filed: **Oct. 7, 2011**

(51) **LOC (9) Cl.** ..... **14-01**

(52) **U.S. Cl.** ..... **D14/223**

(58) **Field of Classification Search** ..... D14/205,  
D14/206, 223; 181/129, 130, 135; 379/430,  
379/431; 381/380, 381; 455/90.3, 575.2;  
D11/47

See application file for complete search history.

(56) **References Cited**

**U.S. PATENT DOCUMENTS**

4,156,118	A	5/1979	Hargrave	
5,410,608	A *	4/1995	Lucey et al.	381/360
5,420,935	A *	5/1995	Shinohara et al.	381/370
5,581,627	A	12/1996	Bowser et al.	
D451,906	S *	12/2001	Amae et al.	D14/223
6,411,722	B1 *	6/2002	Wolf	381/371
6,466,681	B1	10/2002	Siska, Jr. et al.	
6,668,064	B1 *	12/2003	Lin	381/380
D485,548	S *	1/2004	Obata	D14/223
6,731,772	B1 *	5/2004	Byun	381/380
D499,397	S *	12/2004	Hlas et al.	D14/223
D503,705	S *	4/2005	Boursiquot	D14/223
D542,782	S *	5/2007	Pena Angarita	D14/223
D566,099	S *	4/2008	Komiyama	D14/206
D566,687	S *	4/2008	Duarte et al.	D14/205
D575,269	S *	8/2008	Ledbetter et al.	D14/205
D590,375	S *	4/2009	Komiyama	D14/223

D596,616	S *	7/2009	Andre et al.	D14/205
D599,781	S *	9/2009	Lee et al.	D14/205
7,590,258	B2	9/2009	Krywko	
D626,117	S *	10/2010	Lowry	D14/223
D631,034	S *	1/2011	Yeo	D14/205
D641,738	S *	7/2011	Perez	D14/223
D656,492	S *	3/2012	Huang	D14/223
D660,823	S *	5/2012	Hardi et al.	D14/205
D660,824	S *	5/2012	Hardi et al.	D14/205
D662,493	S *	6/2012	Chen	D14/223

**OTHER PUBLICATIONS**

Murph, Darren, "Sleek by 50 Cent Platinum Headphones announced, invites Beats to a showdown" Engadget.com/Jan. 6, 2011, www.engadget.com/2011/01/06/sleek-by-50-cent-platinum . . .  
Evans, Joel, "Review: Beats by Dr. Dre headphones", Geek.com, Jul. 3, 2008, www.geek.com/articles/gadgets/review-beats-by-dr-dre-headphones-20080730.

\* cited by examiner

*Primary Examiner* — Paula Greene

(74) *Attorney, Agent, or Firm* — Gottlieb, Rackman & Reisman, P.C.

(57) **CLAIM**

The ornamental design for an earbud head phone, as shown and described.

**DESCRIPTION**

FIG. 1 is perspective view showing our new design;  
FIG. 2 is a top plan view thereof;  
FIG. 3 is a front elevational view thereof;  
FIG. 4 is a side elevational view thereof;  
FIG. 5 is a rear elevational view thereof; and,  
FIG. 6 is a bottom plan view thereof.

The broken lines form no part of the claimed design.

**1 Claim, 3 Drawing Sheets**

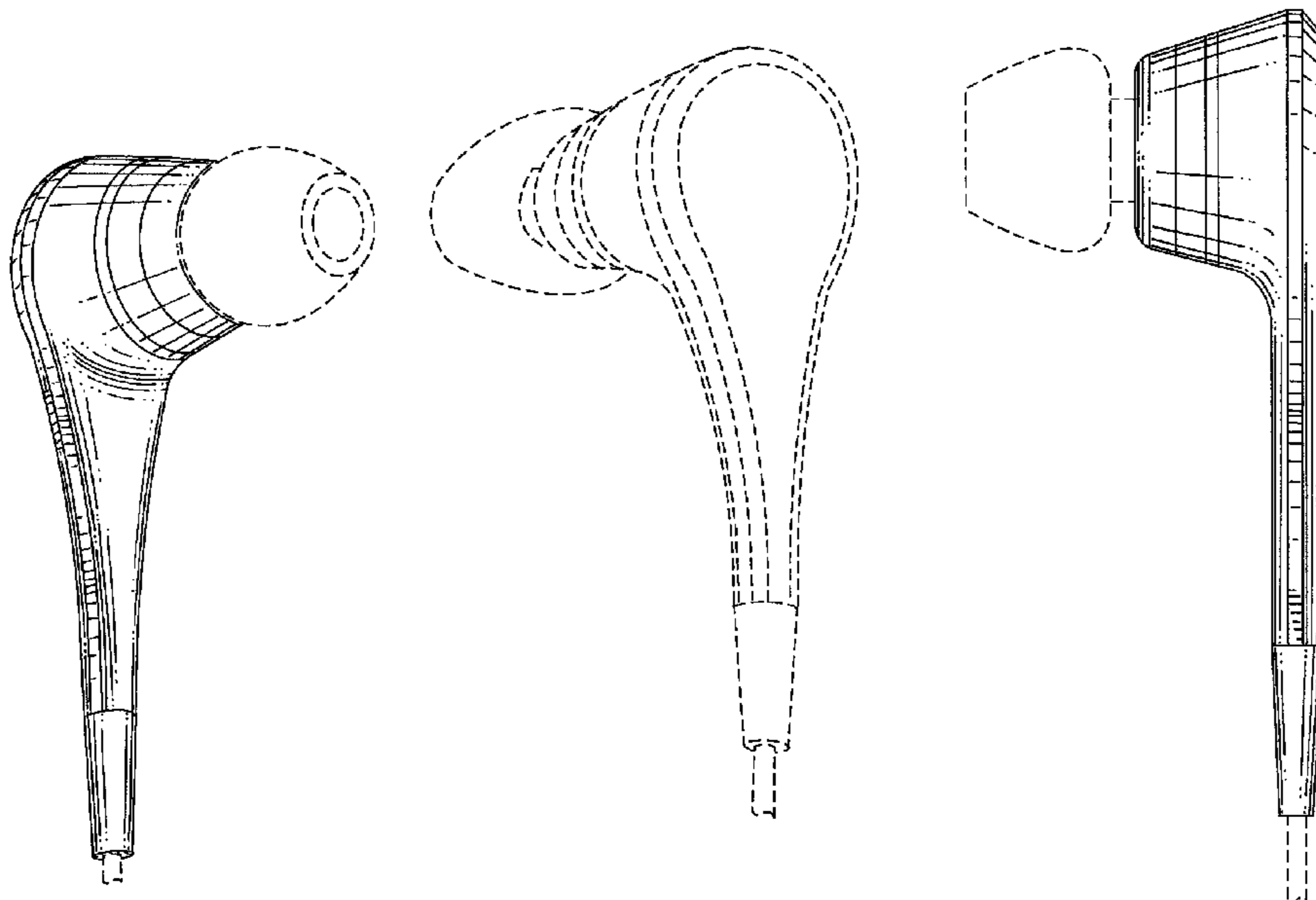


FIG. 1

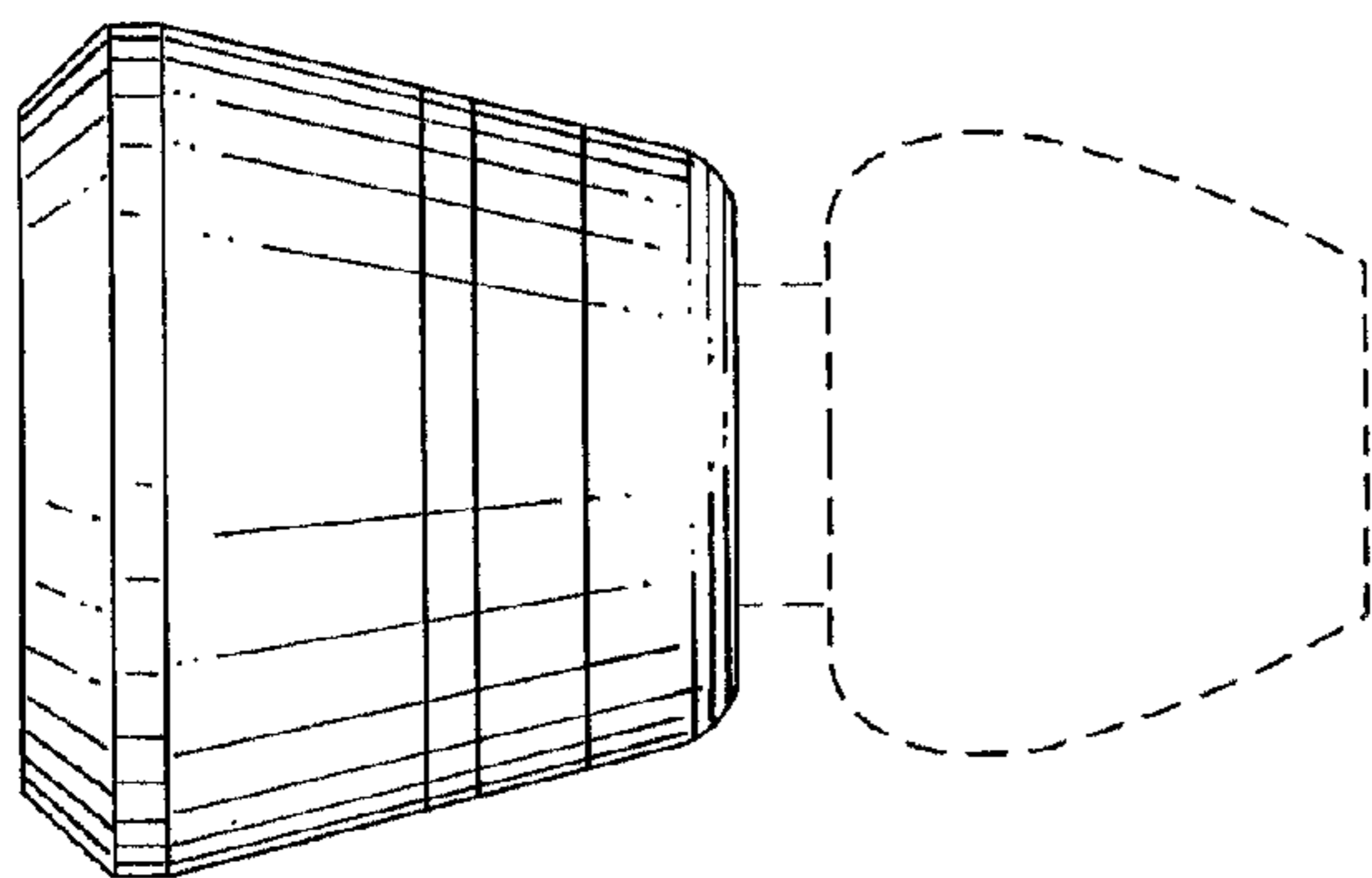
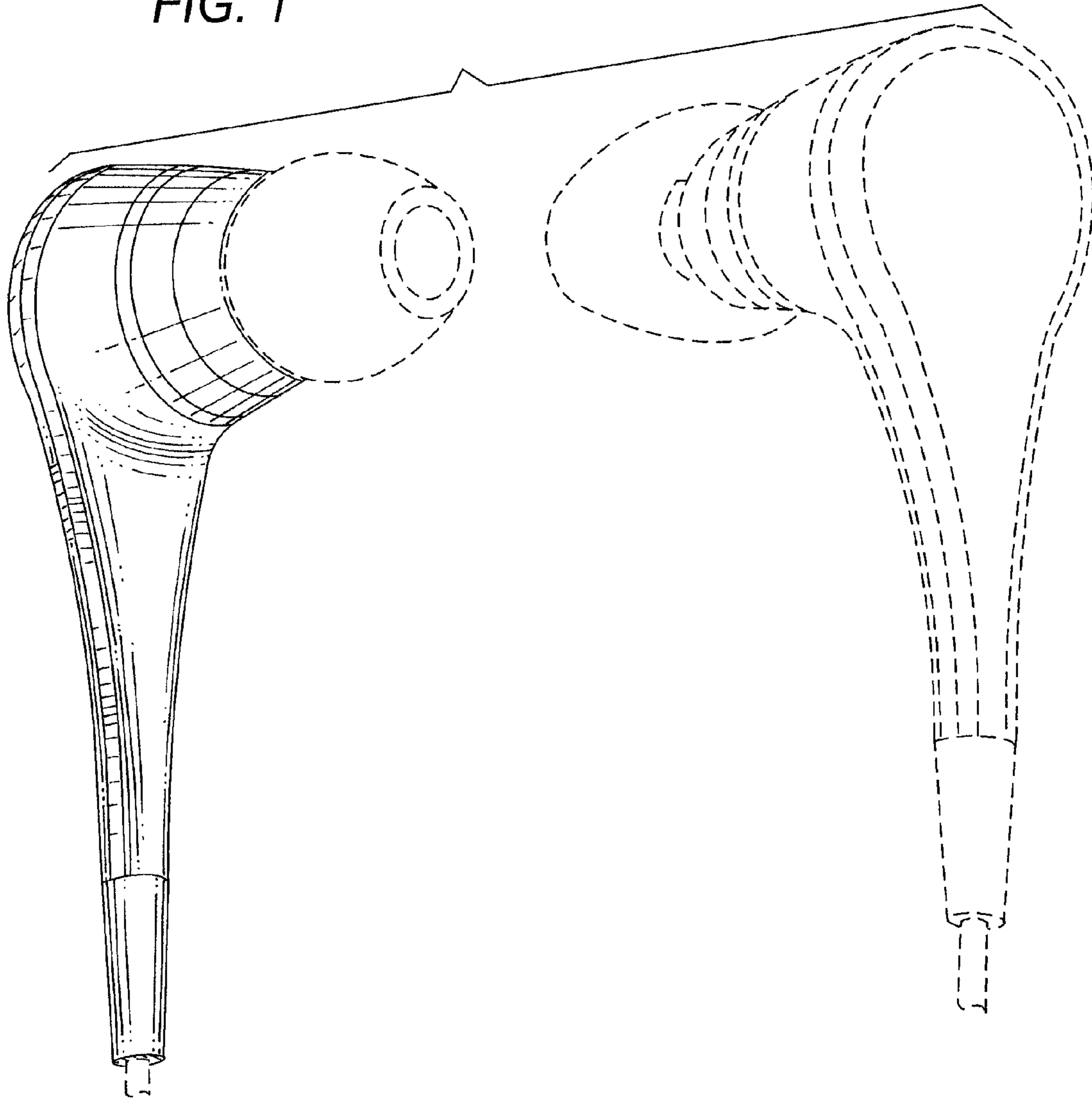


FIG. 2

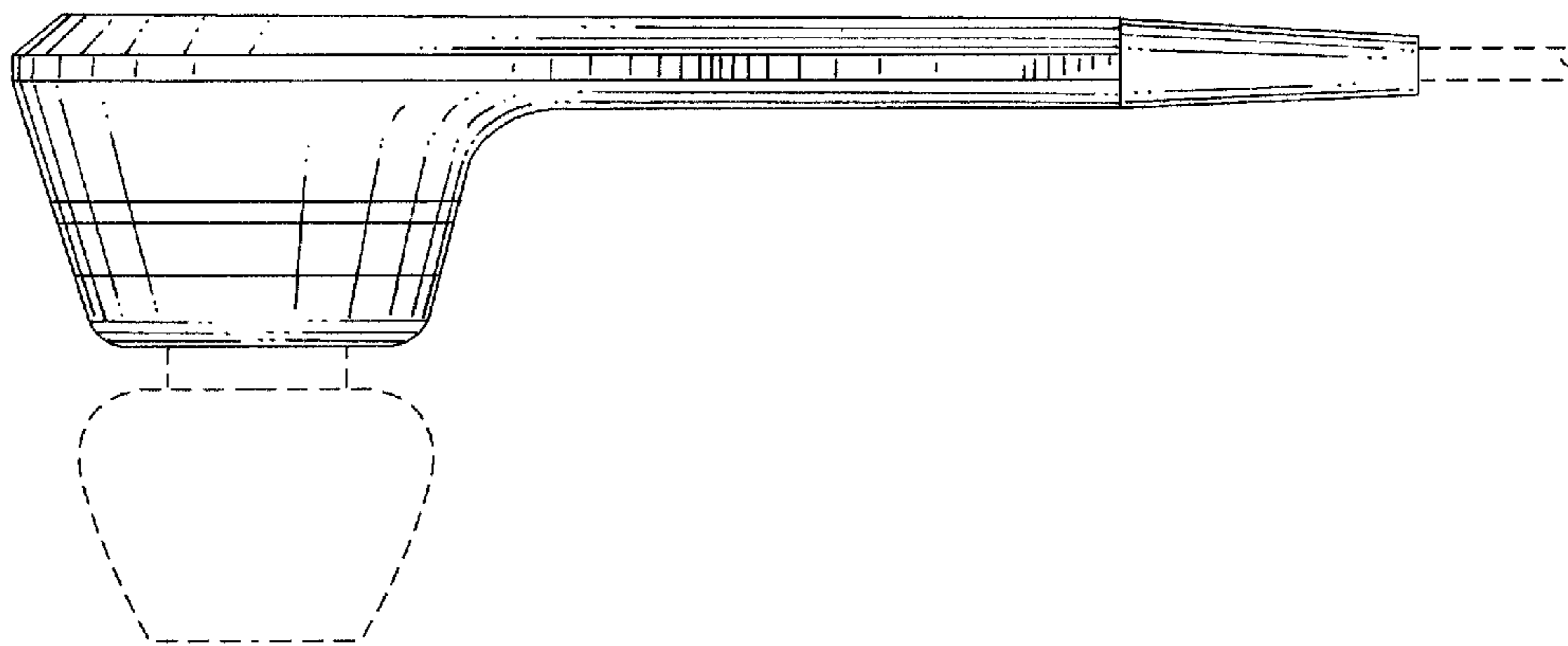


FIG. 4

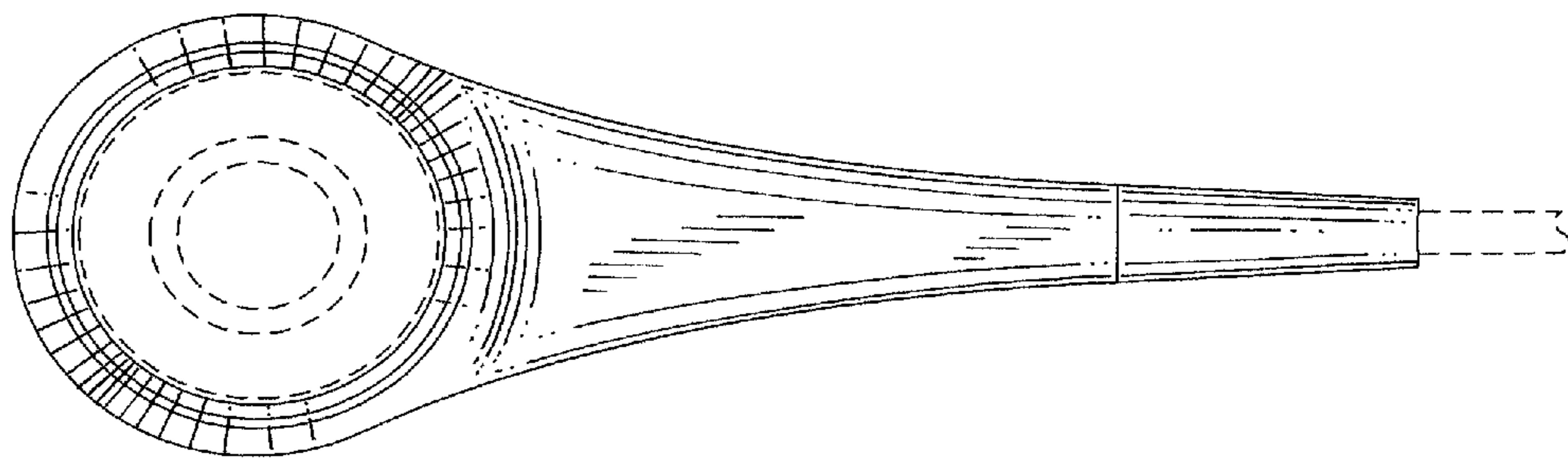


FIG. 3

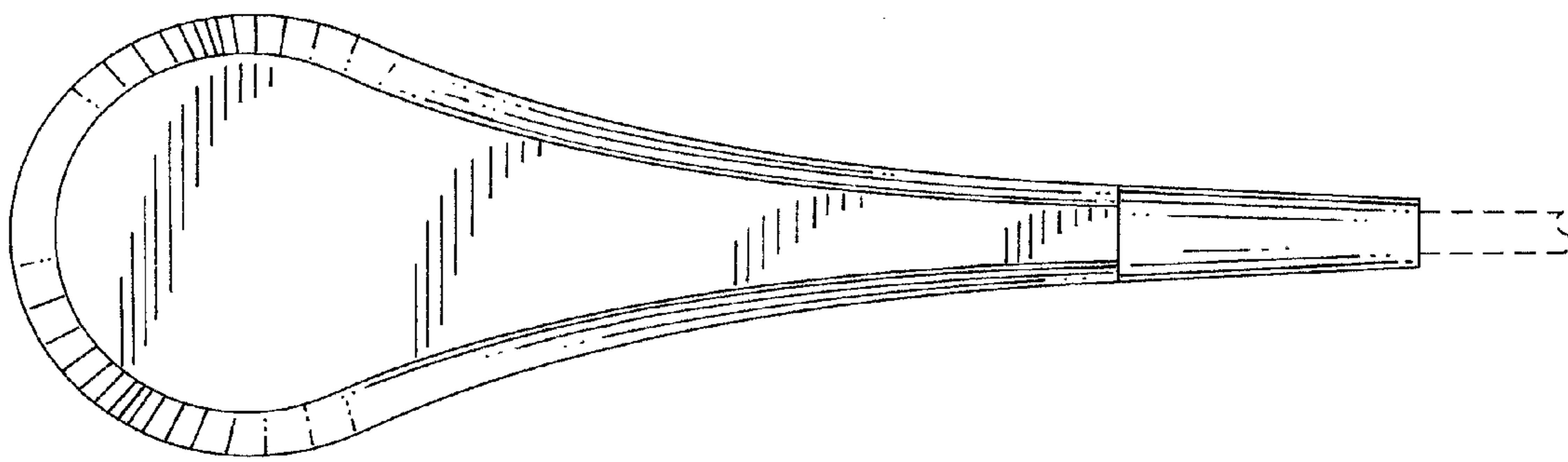


FIG. 5

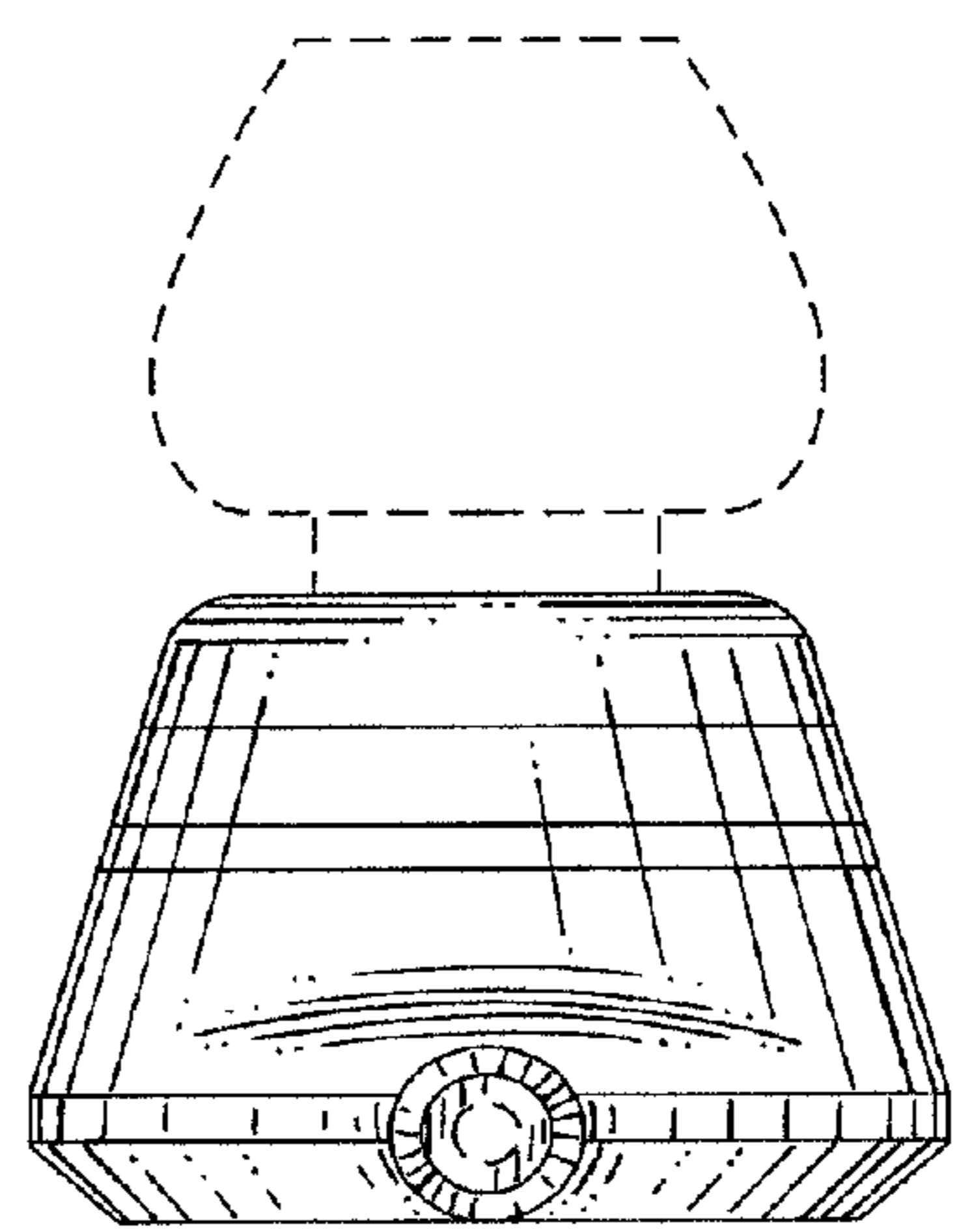


FIG. 6