



US00D666995S

(12) **United States Design Patent**
TerMeer

(10) **Patent No.:** **US D666,995 S**

(45) **Date of Patent:** **** Sep. 11, 2012**

(54) **DOCK FOR PORTABLE ELECTRONIC DEVICES**

(75) Inventor: **James D. TerMeer**, Chicago, IL (US)

(73) Assignee: **Brookstone Purchasing, Inc.**, Merrimack, NH (US)

(**) Term: **14 Years**

(21) Appl. No.: **29/391,409**

(22) Filed: **May 9, 2011**

(51) **LOC (9) Cl.** **14-03**

(52) **U.S. Cl.** **D14/217; D14/253; D14/447**

(58) **Field of Classification Search** D14/140, D14/142, 149, 155, 157, 188, 191-193, 203.1-203.8, D14/217, 240, 243, 251, 253, 432-435.1, D14/447, 451, 496, 474, 480.1-480.7; D13/107, D13/108, 118; D3/218; 248/221.11, 309.1; 320/107, 110, 113-115; 361/600; 439/529, 439/534; 455/556.1-556.2, 557

See application file for complete search history.

(56) **References Cited**

U.S. PATENT DOCUMENTS

D227,117 S *	6/1973	Breger	D14/251
D234,851 S *	4/1975	Tyson et al.	D14/149
D239,393 S *	3/1976	De Land	D14/218
4,073,460 A *	2/1978	Dale	248/441.1
D262,212 S *	12/1981	Janda	D14/149
D284,005 S *	5/1986	Isaacs	D14/251
D284,373 S *	6/1986	Brown et al.	D14/142
D338,471 S *	8/1993	Evenson et al.	D14/251
D381,338 S *	7/1997	Johansson	D14/253
D386,766 S *	11/1997	Johansson	D14/253
D415,482 S *	10/1999	Jolson	D14/447
D453,155 S *	1/2002	Michel	D14/253
D454,561 S *	3/2002	Hollinger	D14/253
D501,191 S *	1/2005	Siebke	D14/149
D541,264 S *	4/2007	Emmett et al.	D14/240
D569,380 S *	5/2008	Beilstein et al.	D14/447
D593,988 S *	6/2009	Liu et al.	D14/149

D635,979 S *	4/2011	Wu et al.	D14/434
D645,025 S *	9/2011	Poandl	D14/214
D646,268 S *	10/2011	DeLorenzo et al.	D14/253
D655,293 S *	3/2012	Gioscia et al.	D14/434

* cited by examiner

Primary Examiner — Stella Reid

Assistant Examiner — Keli L Hill

(74) *Attorney, Agent, or Firm* — Grossman Tucker Perreault & Pflieger, PLLC

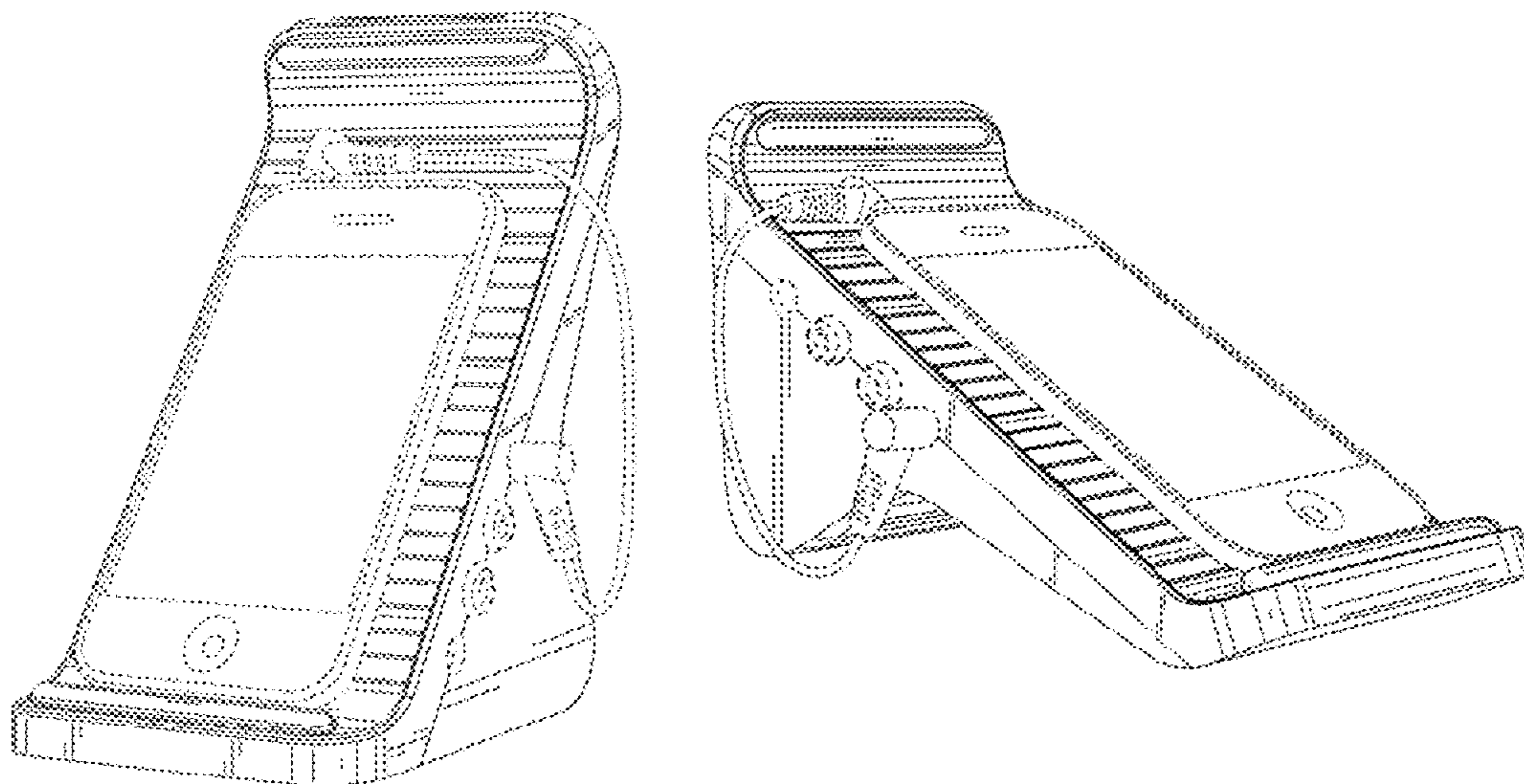
(57) **CLAIM**

The ornamental design for a dock for portable electronic devices, as shown and described.

DESCRIPTION

FIG. 1 is a frontal perspective view of a dock for portable electronic devices in a first orientation. FIG. 2 is a front elevation view thereof. FIG. 3 is a rear elevation view thereof. FIG. 4 is a right side elevation view thereof. FIG. 5 is a left side elevation view thereof. FIG. 6 is a top plan view thereof. FIG. 7 is a bottom plan view thereof. FIG. 8 is a frontal perspective view thereof, shown in condition of use with an unclaimed portable electronic device. FIG. 9 is a frontal perspective view of the dock for portable electronic devices in a second orientation. FIG. 10 is a front elevation view thereof. FIG. 11 is a rear elevation view thereof. FIG. 12 is a right side elevation view thereof. FIG. 13 is a left side elevation view thereof. FIG. 14 is a top plan view thereof. FIG. 15 is a bottom plan view thereof; and, FIG. 16 is a frontal perspective view thereof, shown in condition of use with an unclaimed portable electronic device. The broken lines shown are included for the purpose of illustrating the unclaimed portions of the dock for portable electronic devices and form no part of the claim.

1 Claim, 16 Drawing Sheets



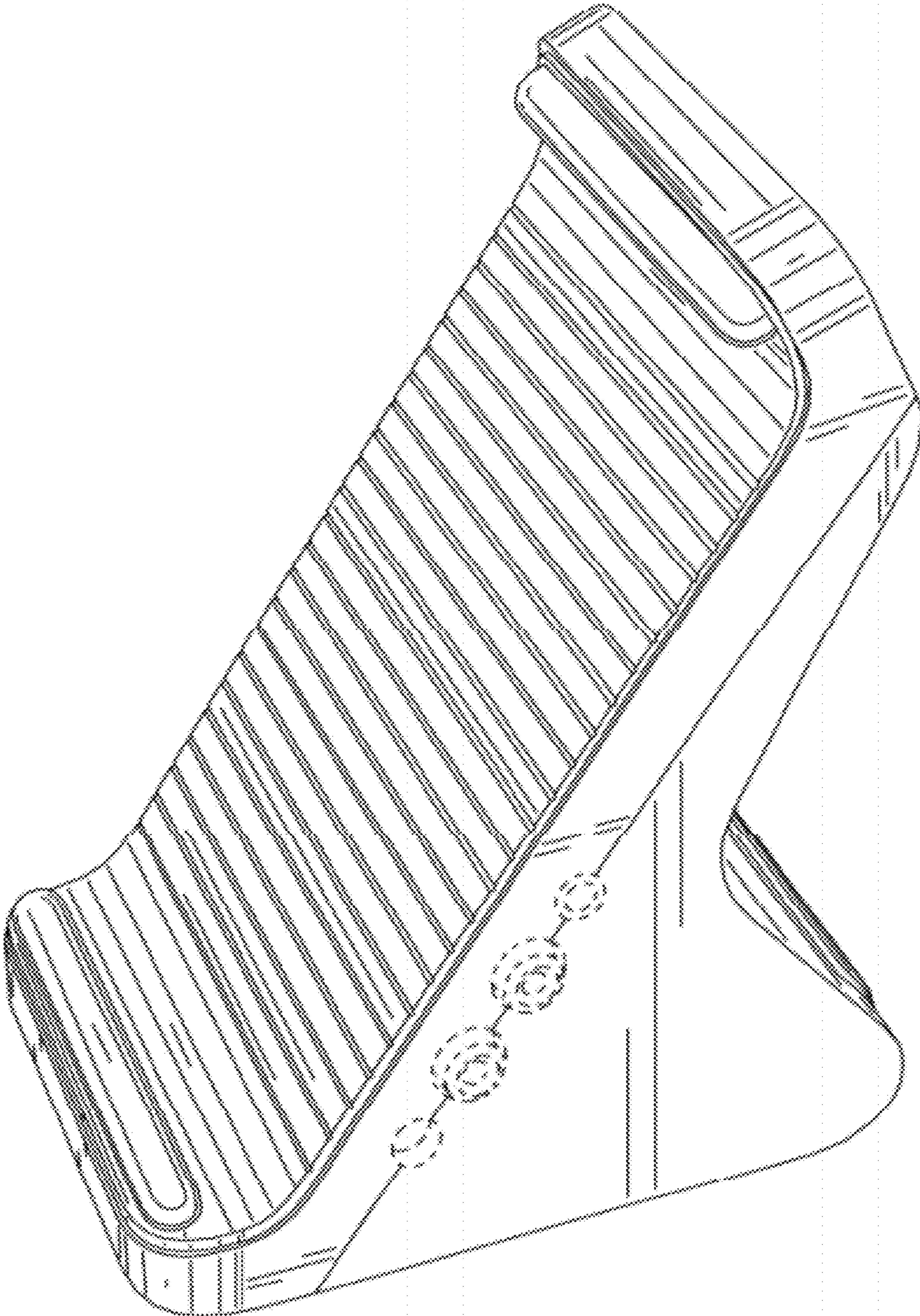


FIG. 1

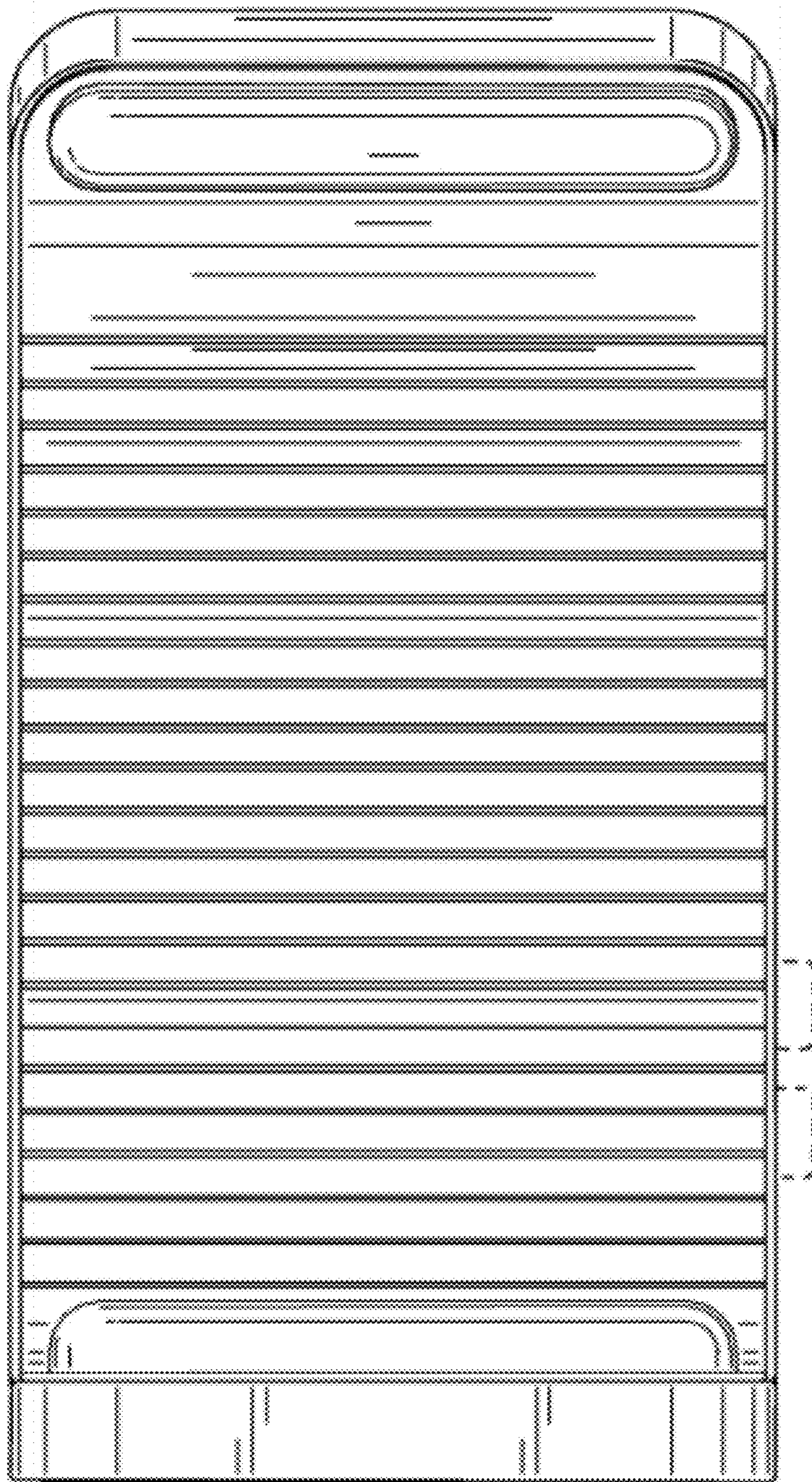


FIG. 2

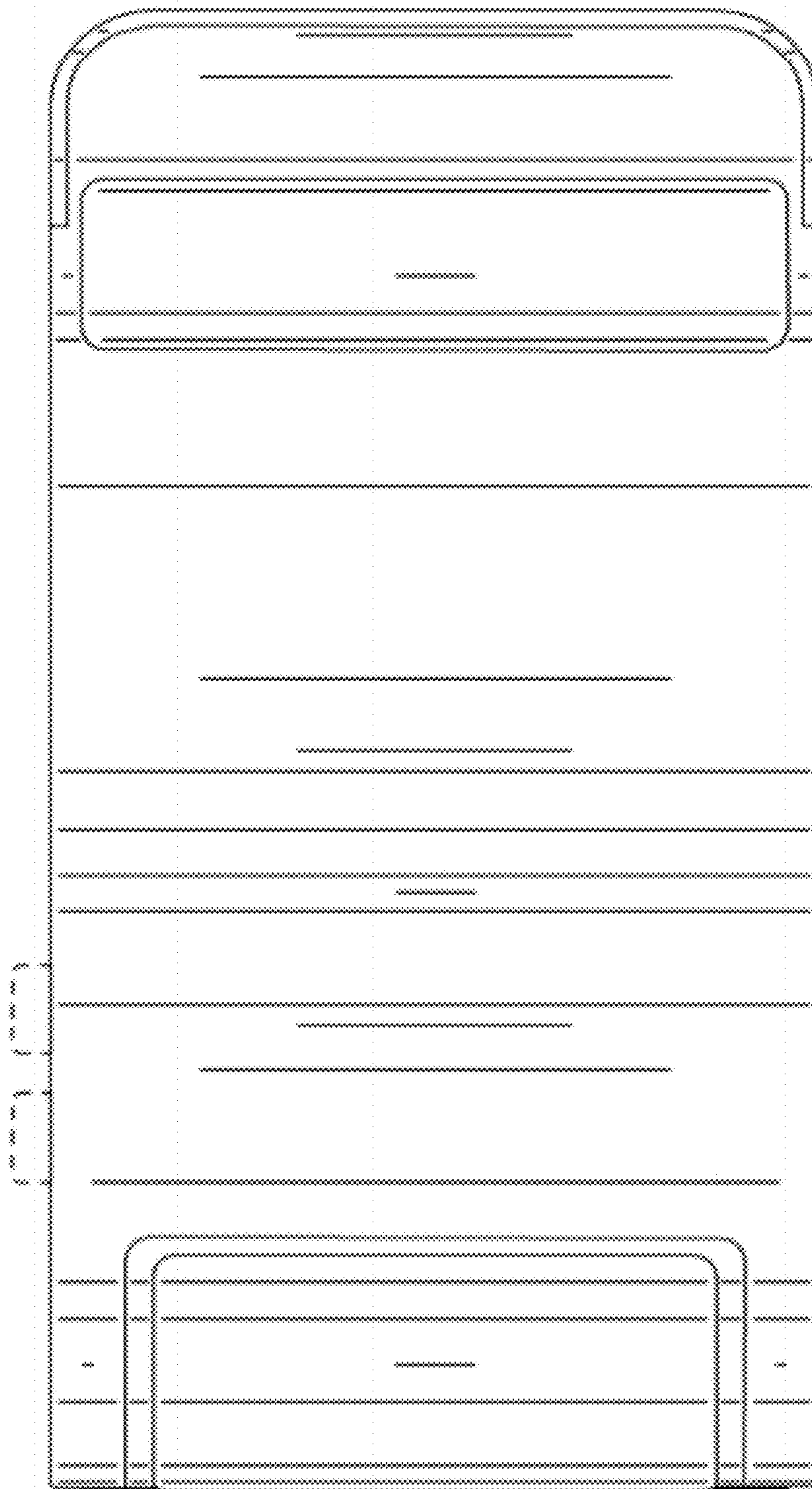


FIG. 3

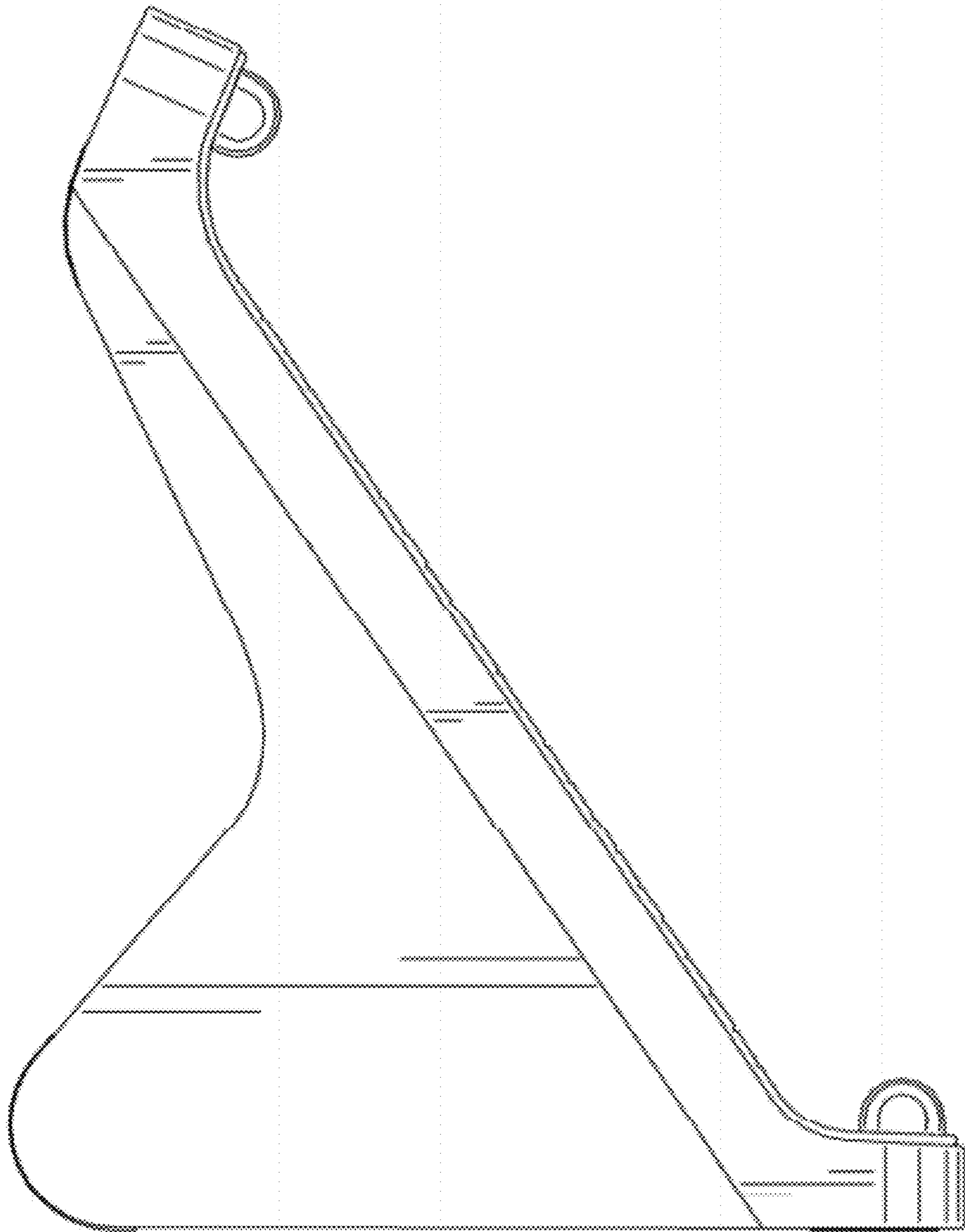


FIG. 4

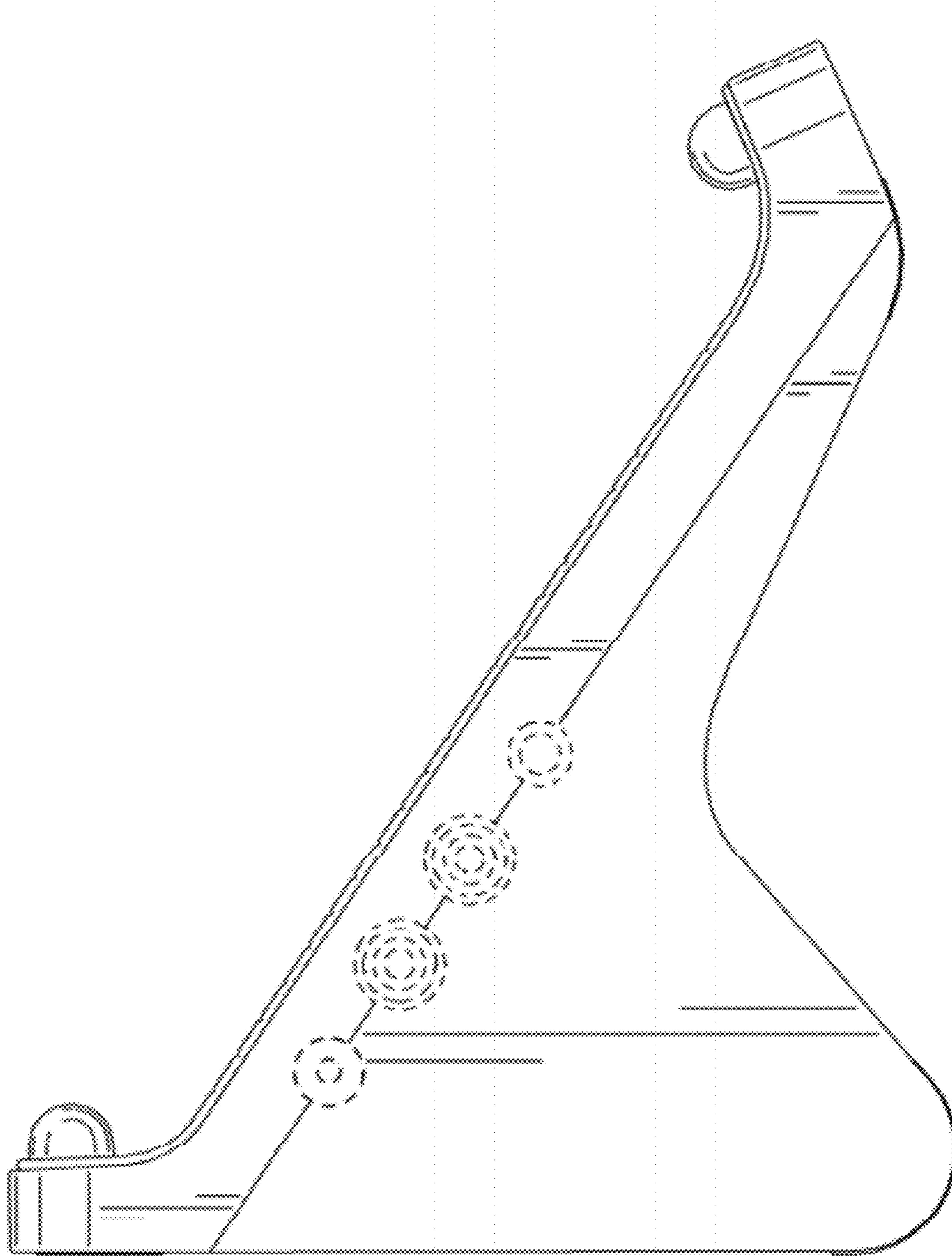


FIG. 5

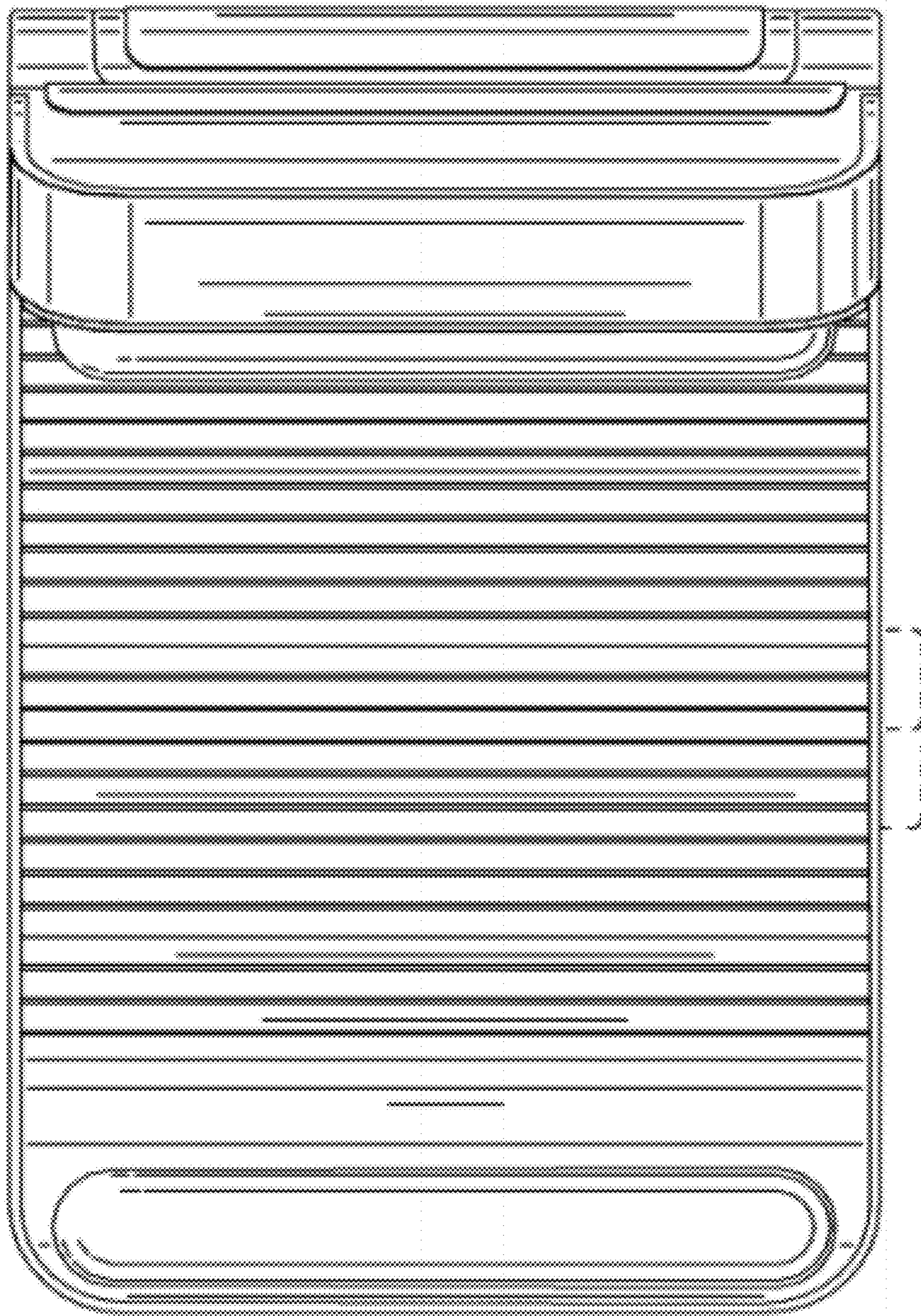


FIG. 6

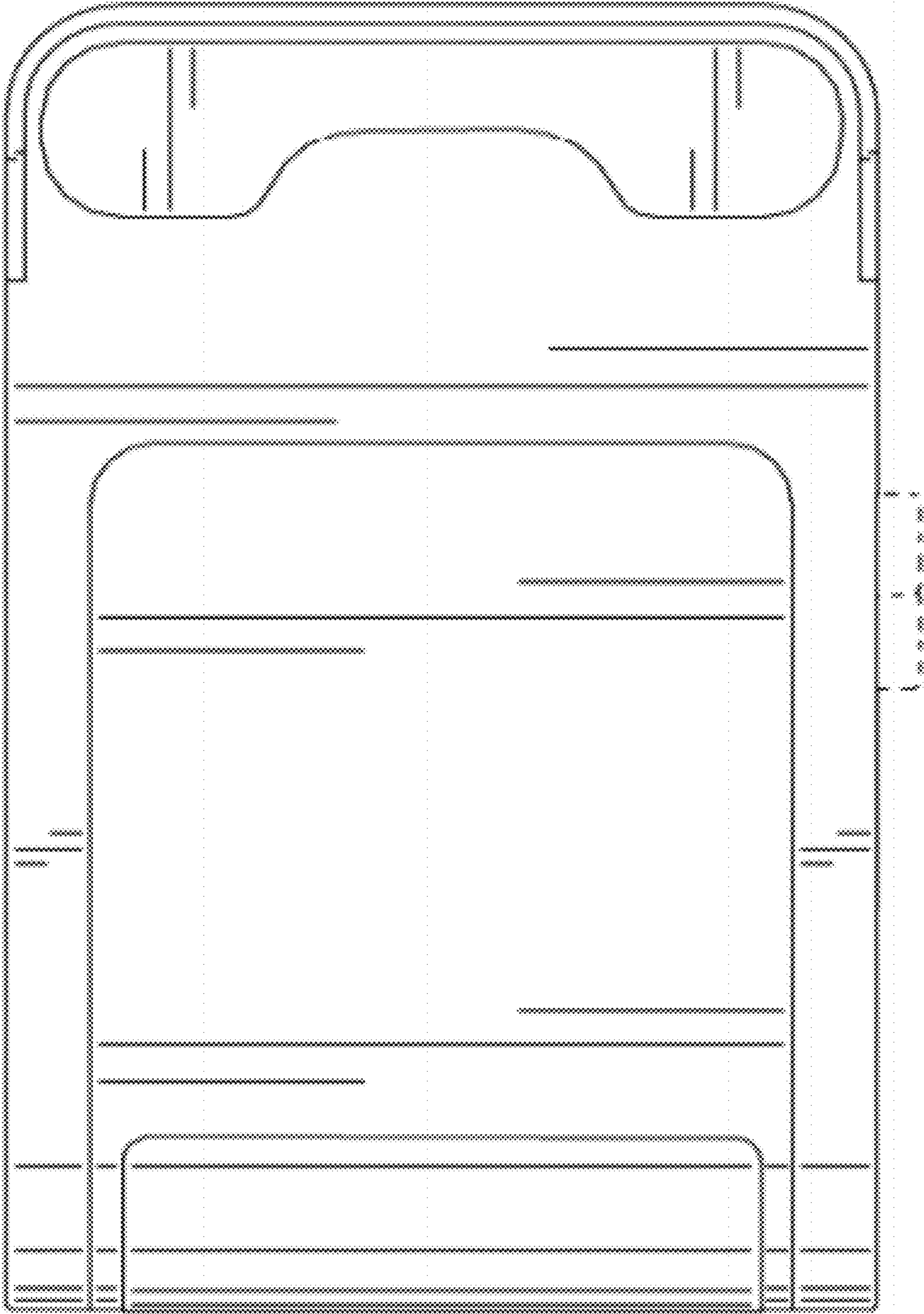


FIG. 7

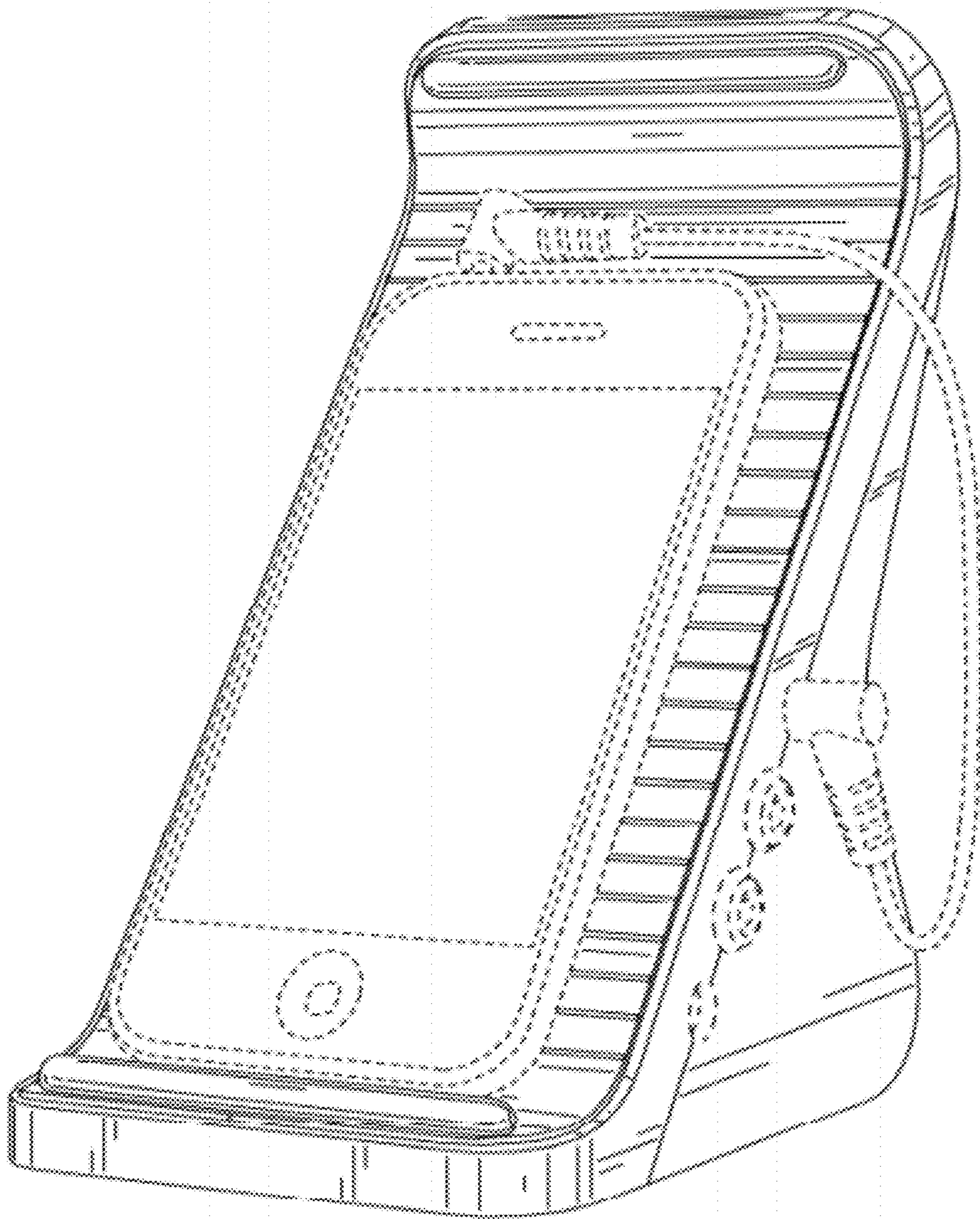


FIG. 8

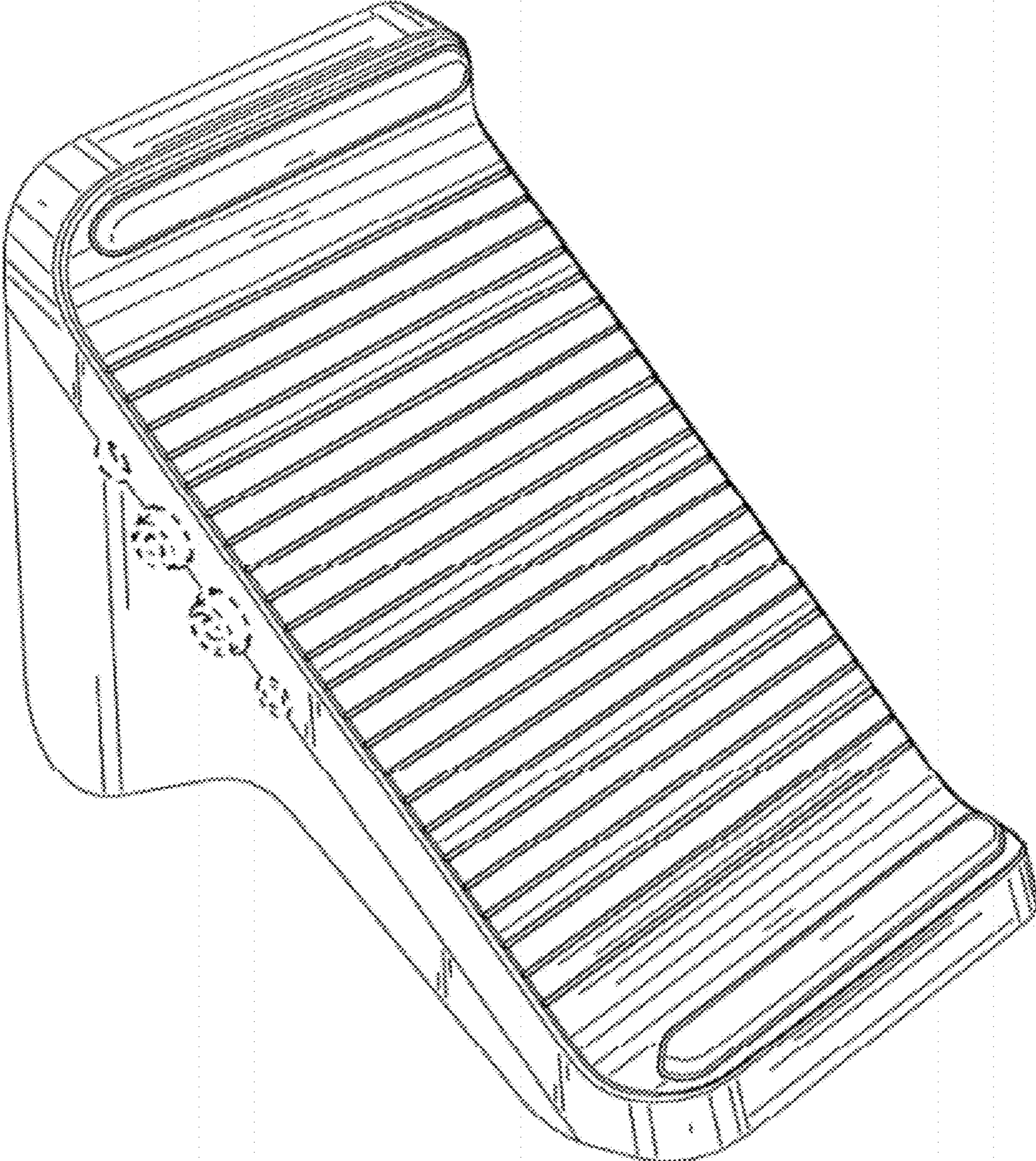


FIG. 9

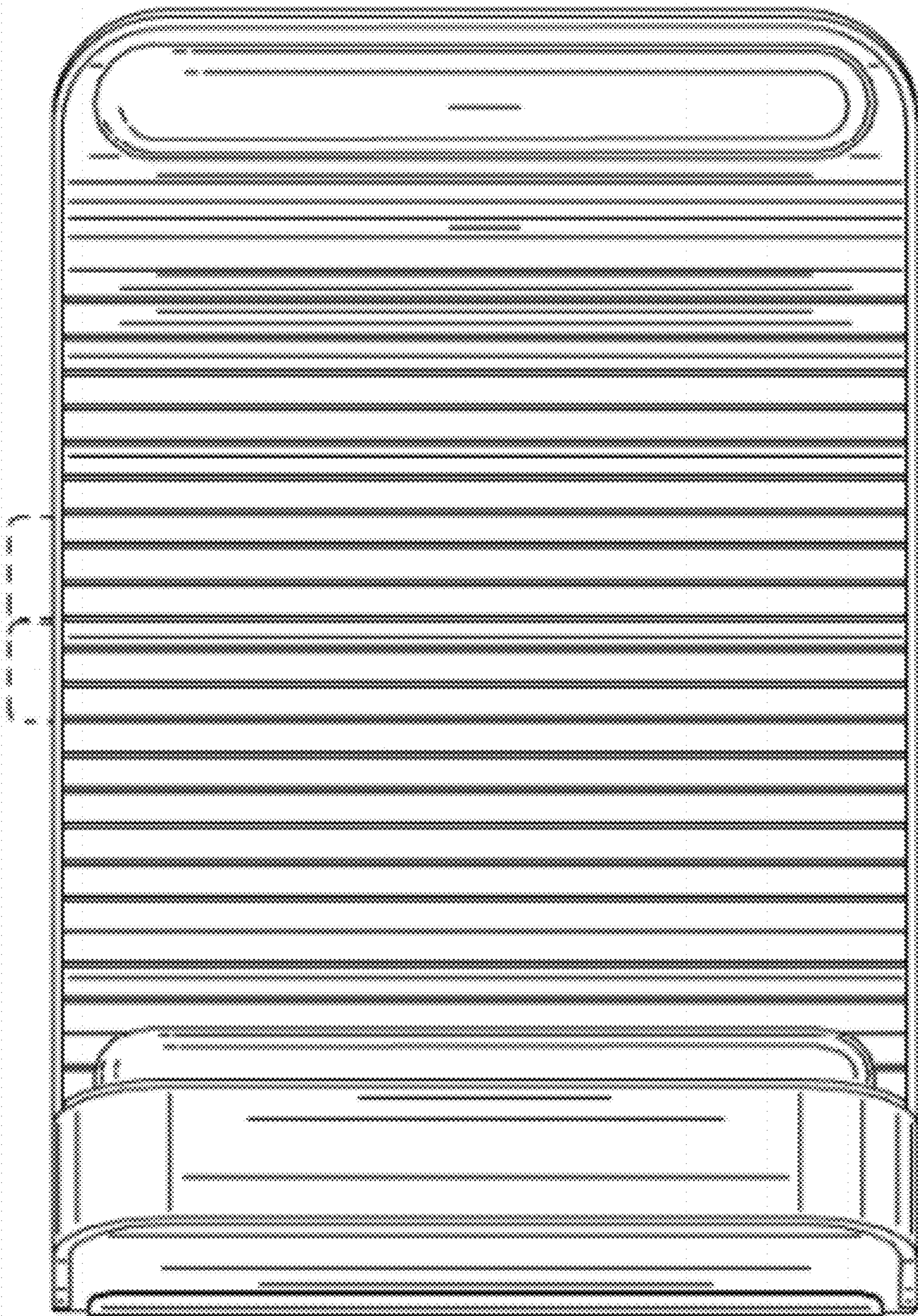


FIG. 10

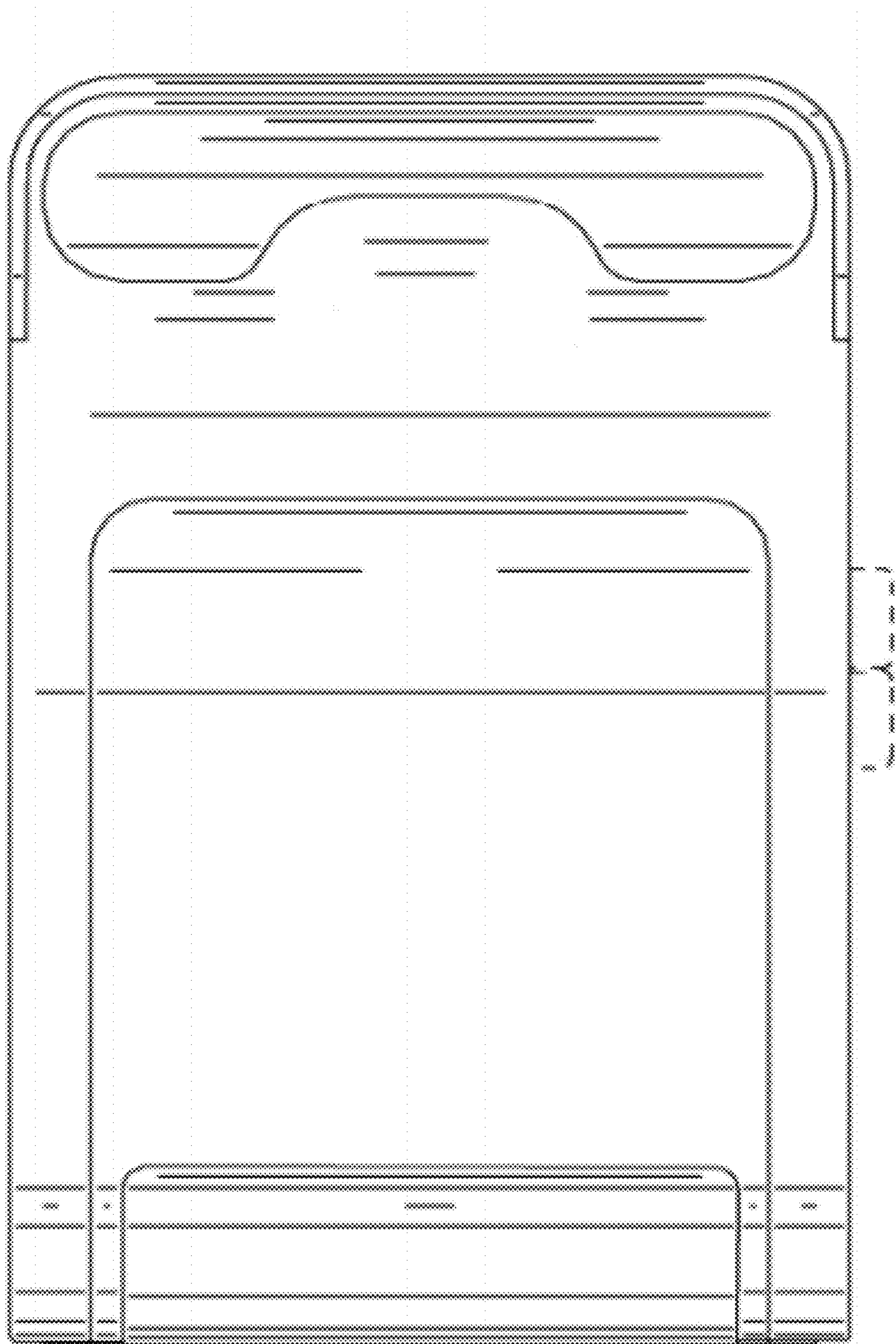


FIG. 11

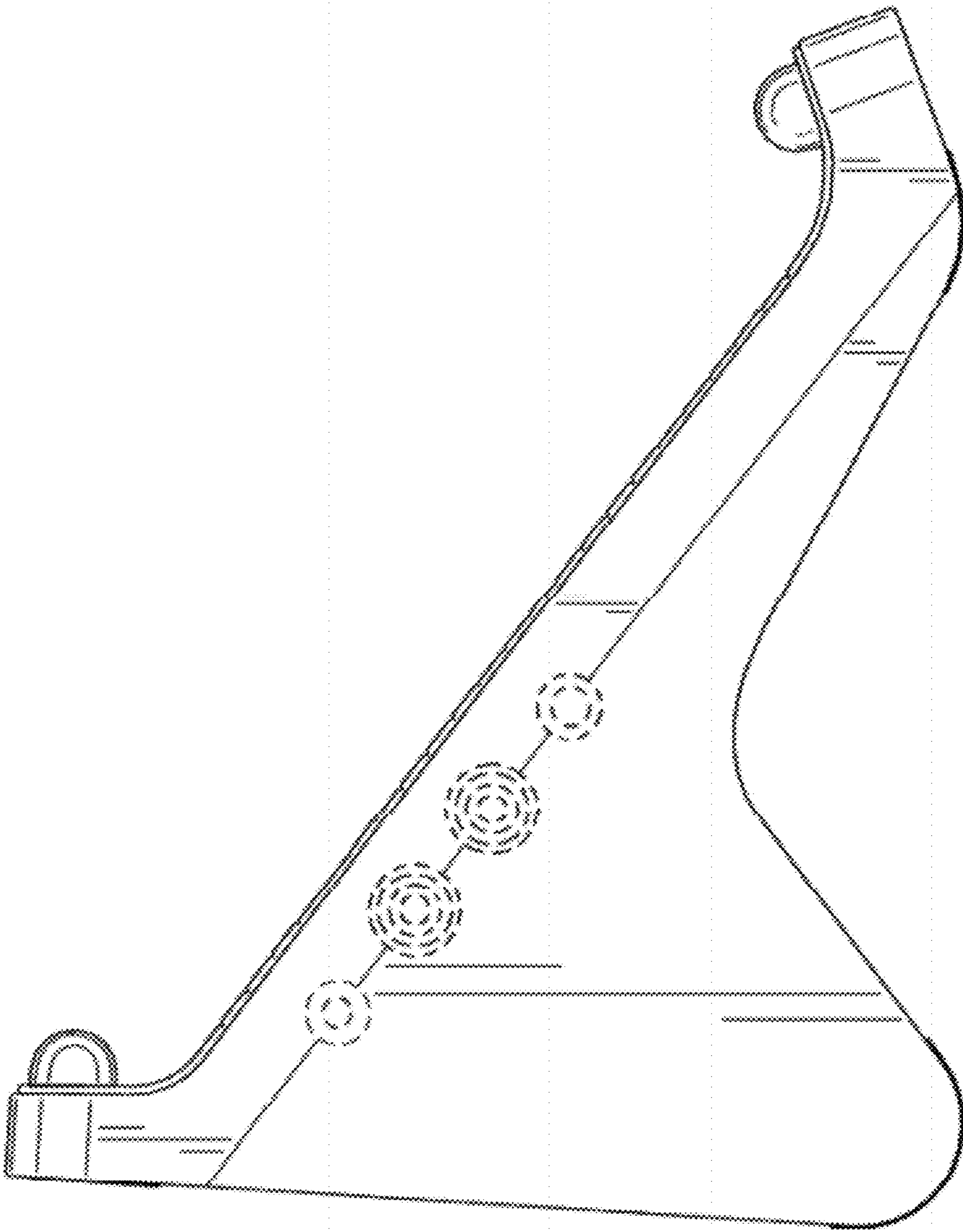


FIG.12

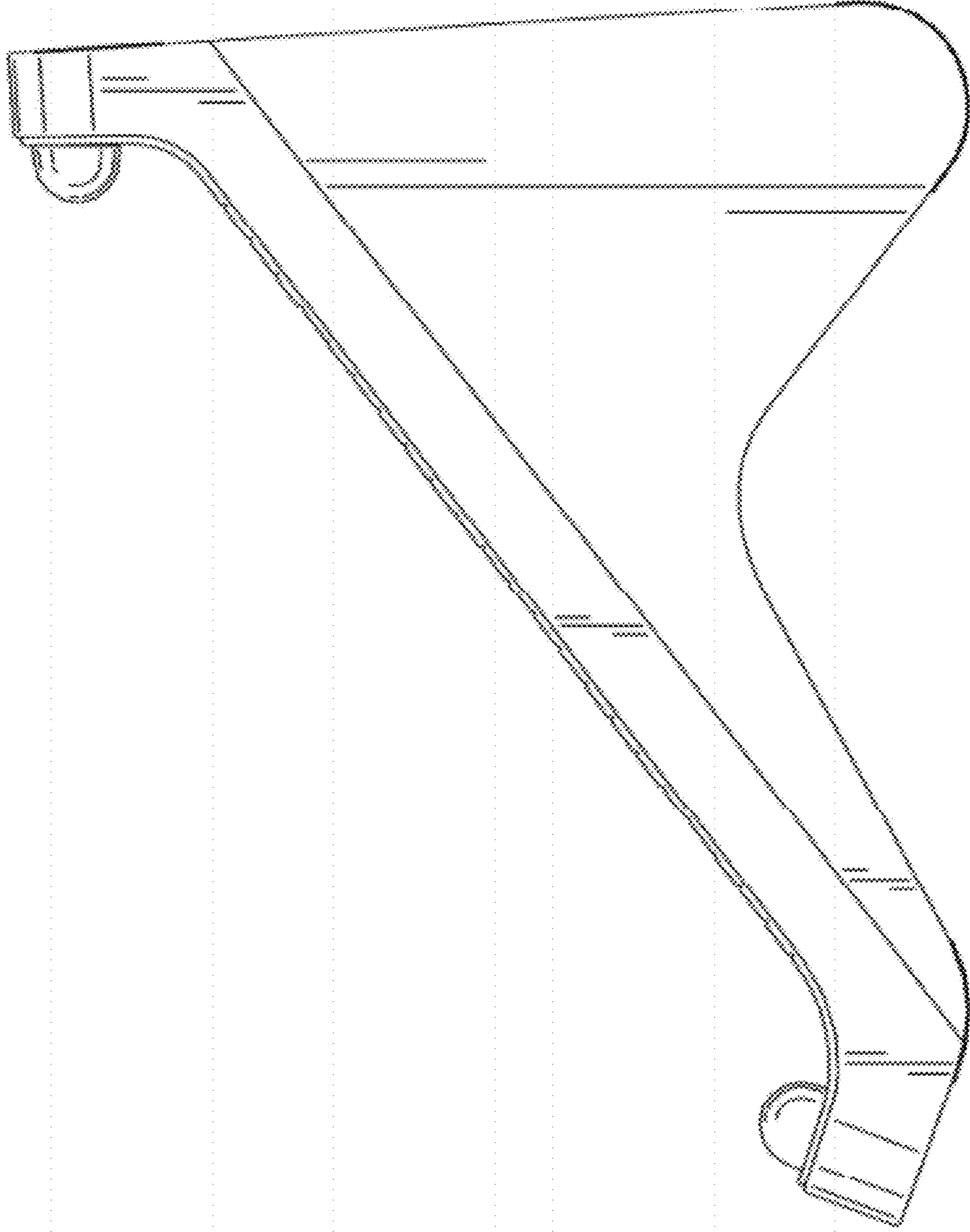


FIG. 13

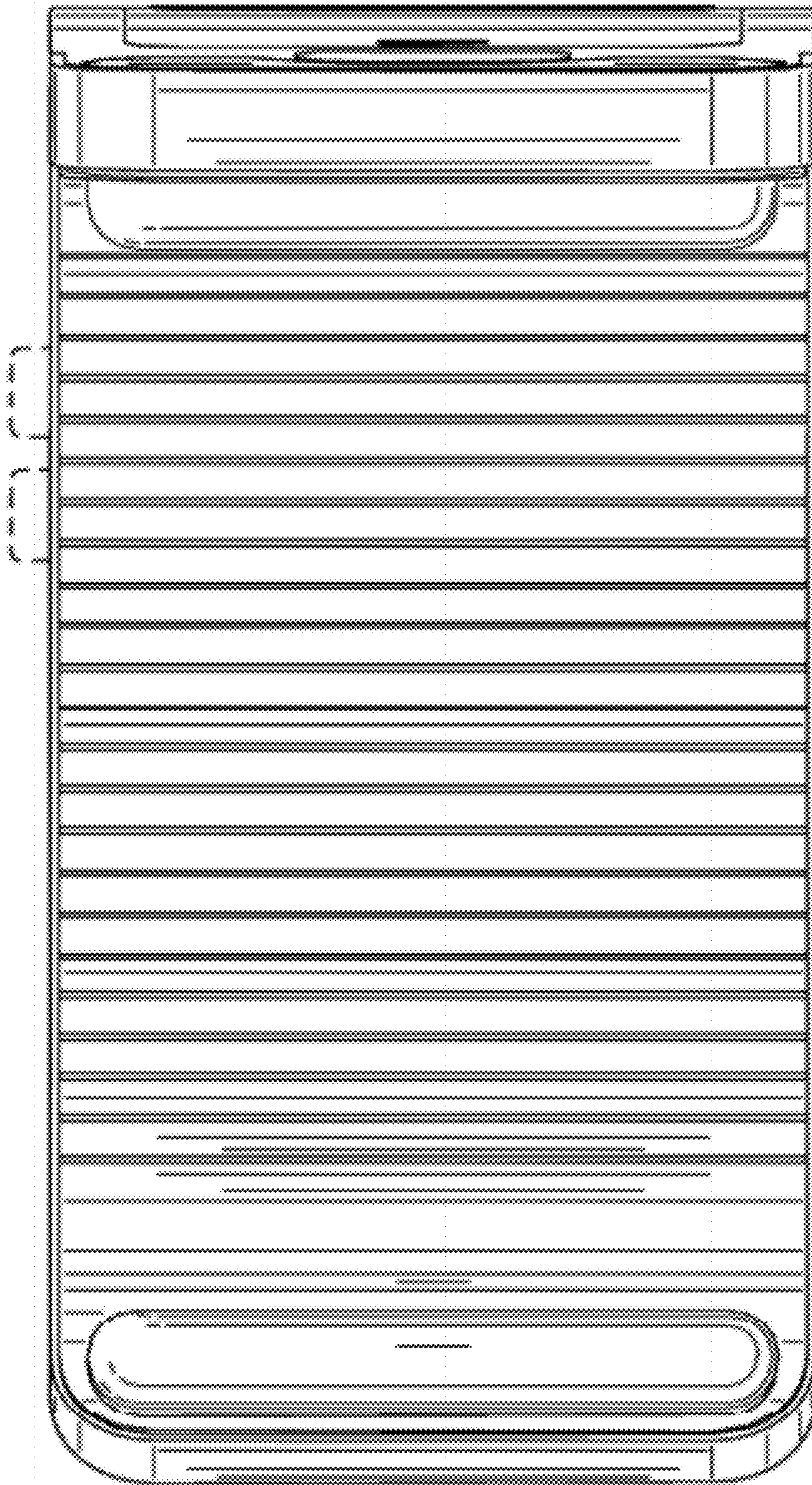


FIG. 14



FIG. 15

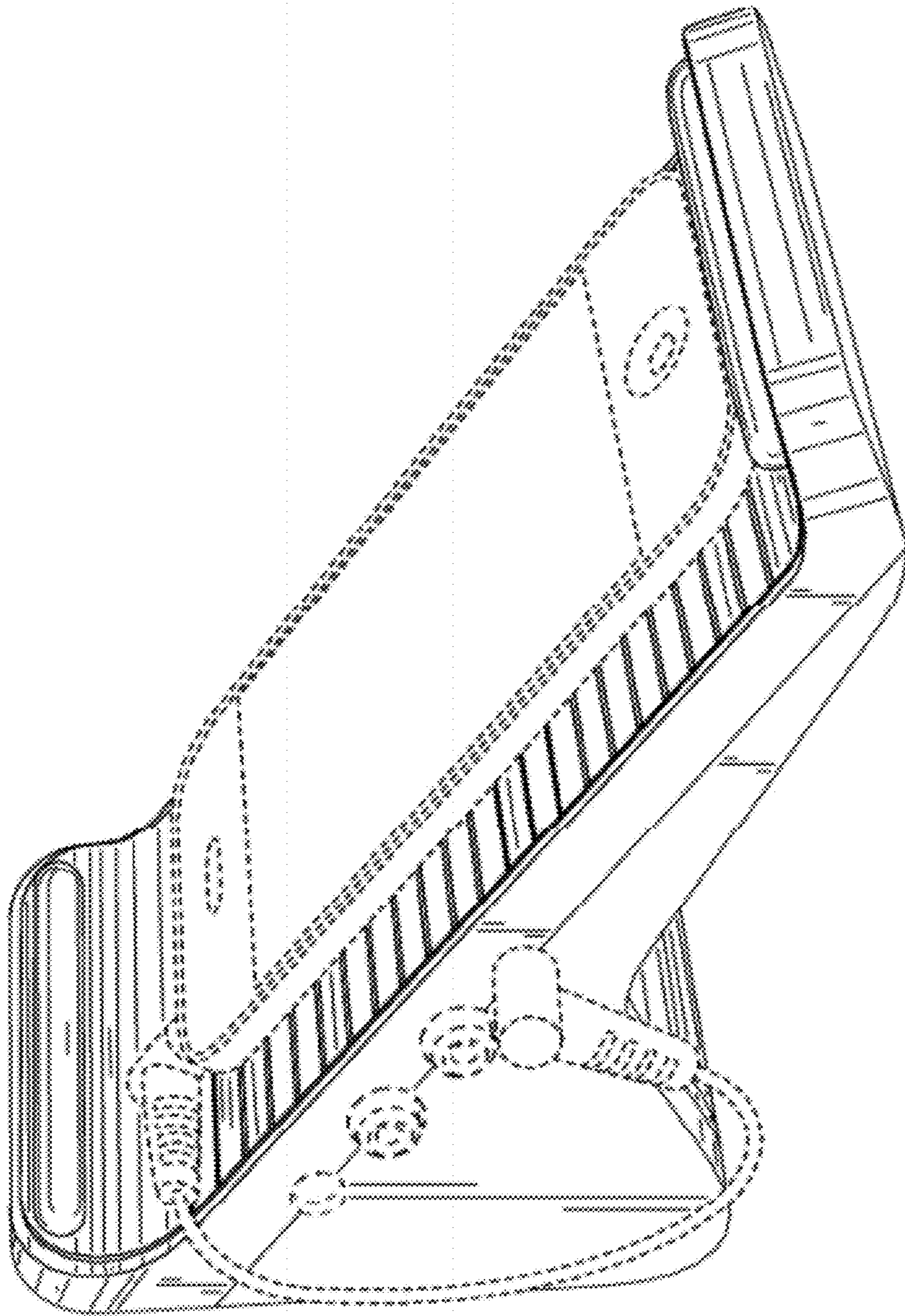


FIG. 16